

US00D533735S

(12) **United States Design Patent**
Carlsson et al.

(10) **Patent No.:** **US D533,735 S**
(45) **Date of Patent:** **** Dec. 19, 2006**

(54) **DISPLAY STAND**

(75) Inventors: **Stefan Carlsson**, Boras (SE); **Morgan Ferm**, Akarp (SE); **Anders Lundqvist**, Malmo (SE)

(73) Assignee: **Mark Bric Display AB**, Borås (SE)

(**) Term: **14 Years**

(21) Appl. No.: **29/217,465**

(22) Filed: **Nov. 18, 2004**

(30) **Foreign Application Priority Data**

May 19, 2000 (EM) 000181615-0001

(51) **LOC (8) Cl.** **06-04**

(52) **U.S. Cl.** **D6/468; D6/469**

(58) **Field of Classification Search** D6/396,
D6/424, 429, 449, 455, 457, 460-465, 469;
211/13.1, 42, 43, 47, 55, 85, 41.1, 85.31,
211/130.1, 149, 186, 188, 189, 190, 195,
211/198, 203, 207; 108/23, 106, 115, 128;
40/124, 124.2, 124.4; 160/135

See application file for complete search history.

(56) **References Cited**

U.S. PATENT DOCUMENTS

121,596 A * 12/1871 Dennis 108/106
1,035,552 A * 8/1912 Doering 211/55
1,955,769 A * 4/1934 Reynolds 211/130.1
2,996,194 A * 8/1961 Huck 211/202
3,570,679 A * 3/1971 Edson 211/47

4,403,554 A * 9/1983 Valentine et al. 108/23
4,444,240 A * 4/1984 Bannister 160/135
4,727,994 A * 3/1988 Beaulieu 211/198
D367,972 S * 3/1996 Valls et al. D6/468
6,164,461 A * 12/2000 Ward et al. 211/41.1
D499,278 S * 12/2004 Dardashti D6/464

FOREIGN PATENT DOCUMENTS

DE 29607873 11/1996

* cited by examiner

Primary Examiner—Robert M. Spear
Assistant Examiner—Mary Ann Calabrese

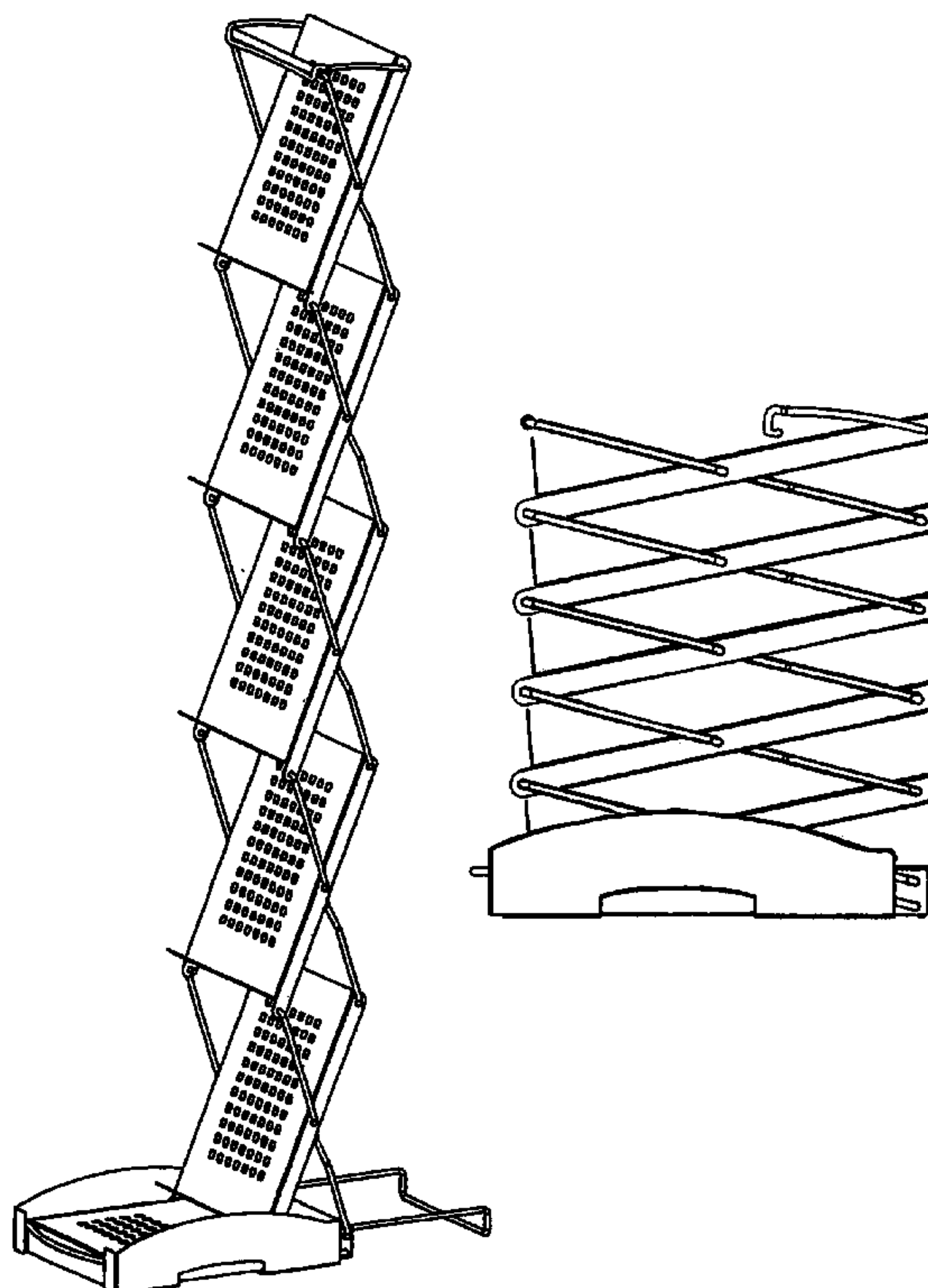
(57) **CLAIM**

The ornamental design for a display stand, as shown and described.

DESCRIPTION

FIG. 1 is a perspective view from the front showing the display stand;
FIG. 2 is a perspective view from the front and from above of the display stand;
FIG. 3 is a perspective view from the back and from above of the display stand;
FIG. 4 is a perspective view from the back and from below of the display stand;
FIG. 5 is a front view of the display stand;
FIG. 6 is a side view of the display stand; and,
FIG. 7 is an enlarged side view of a non-extended display stand.

1 Claim, 7 Drawing Sheets



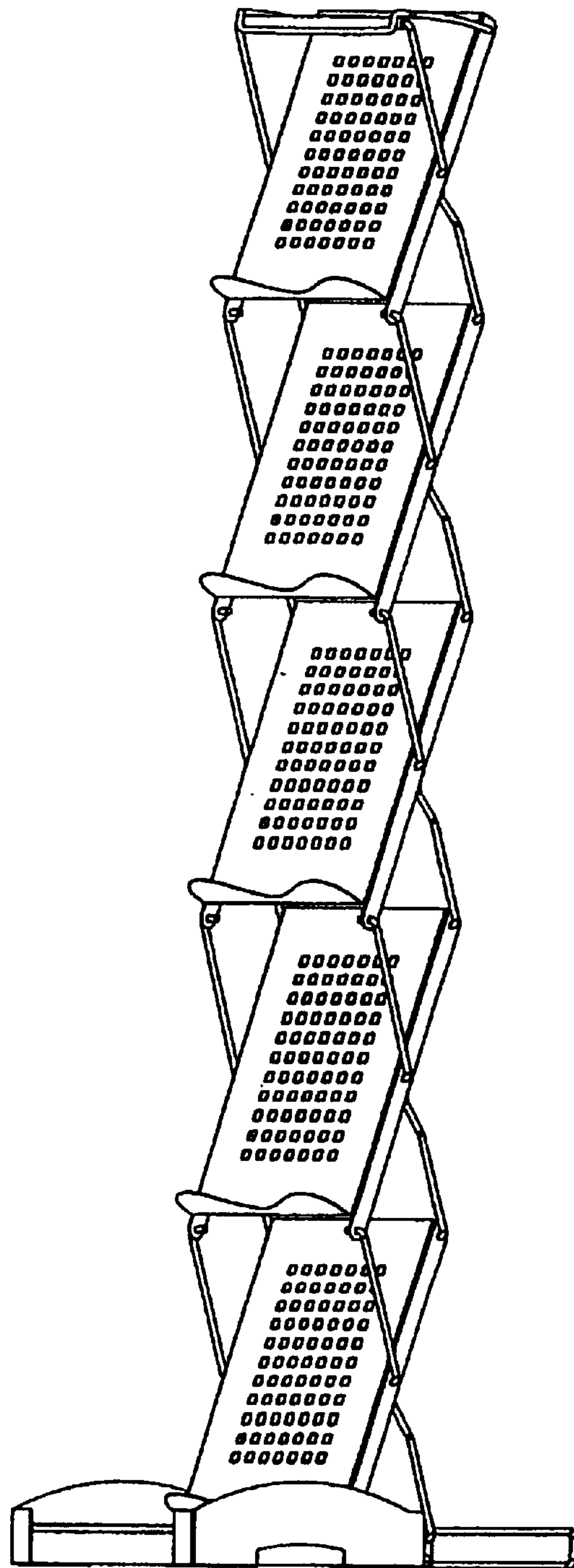


FIG. 1

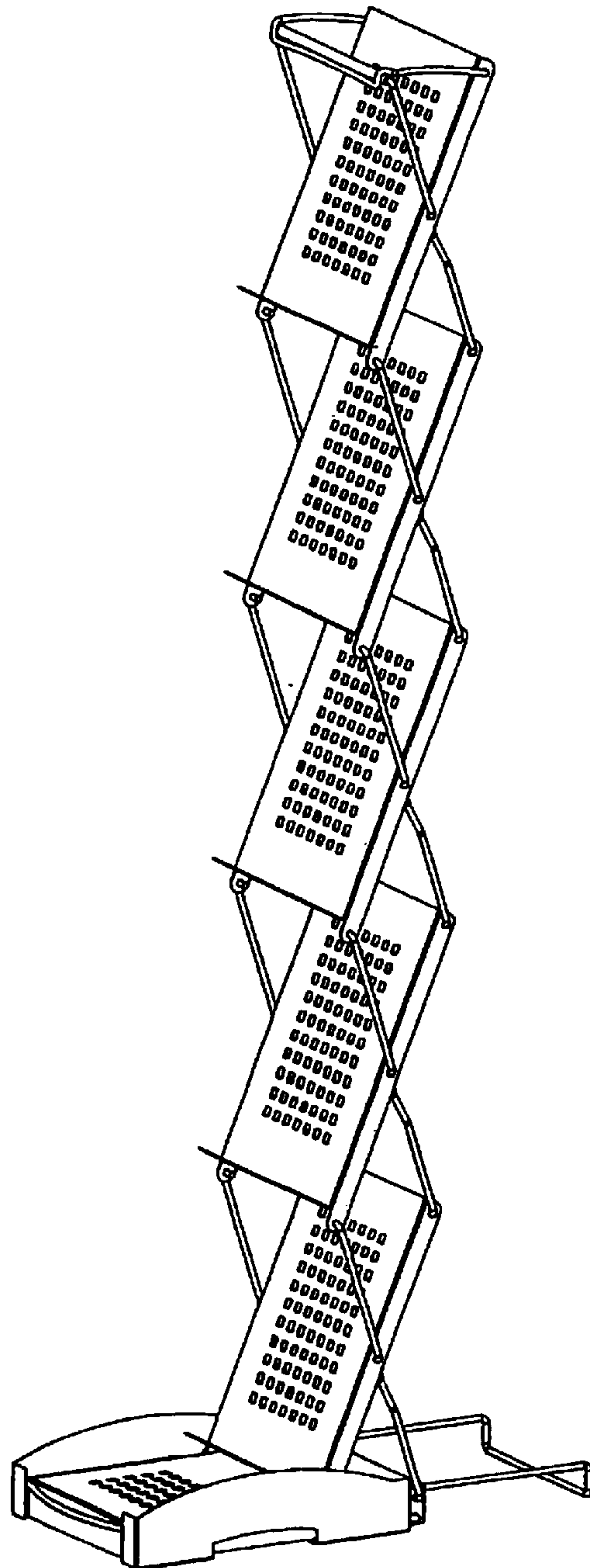


FIG. 2

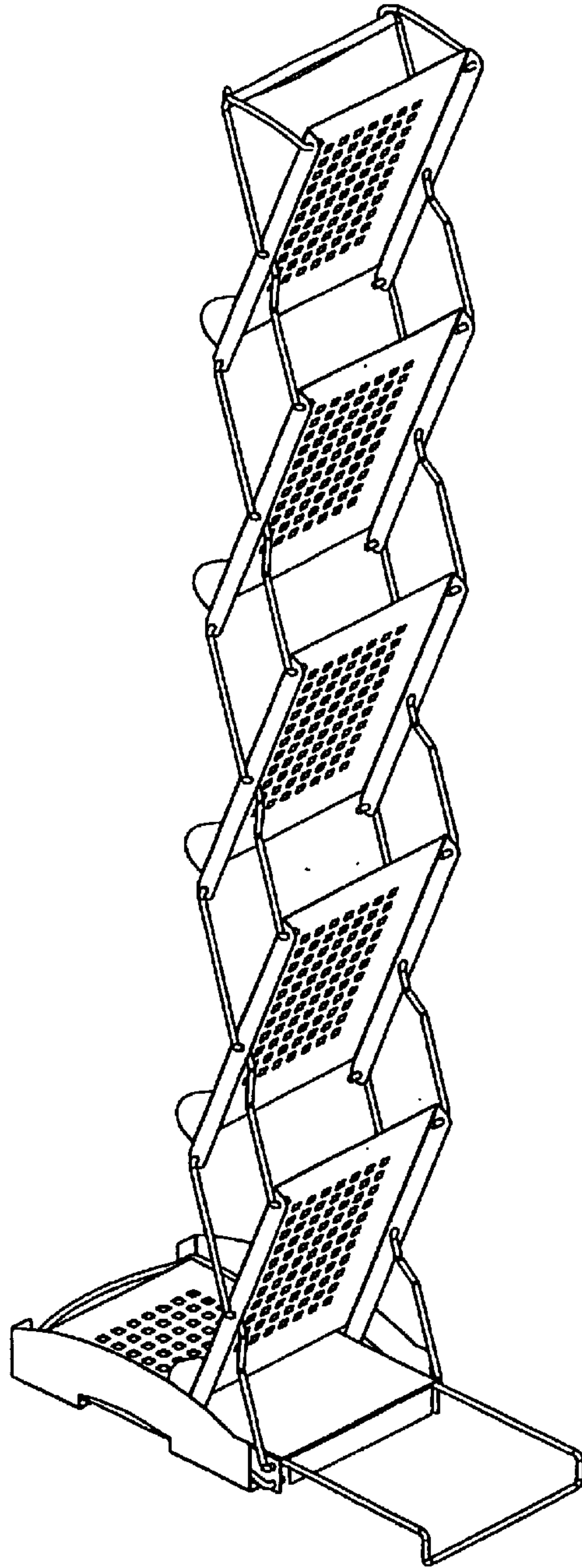


FIG. 3

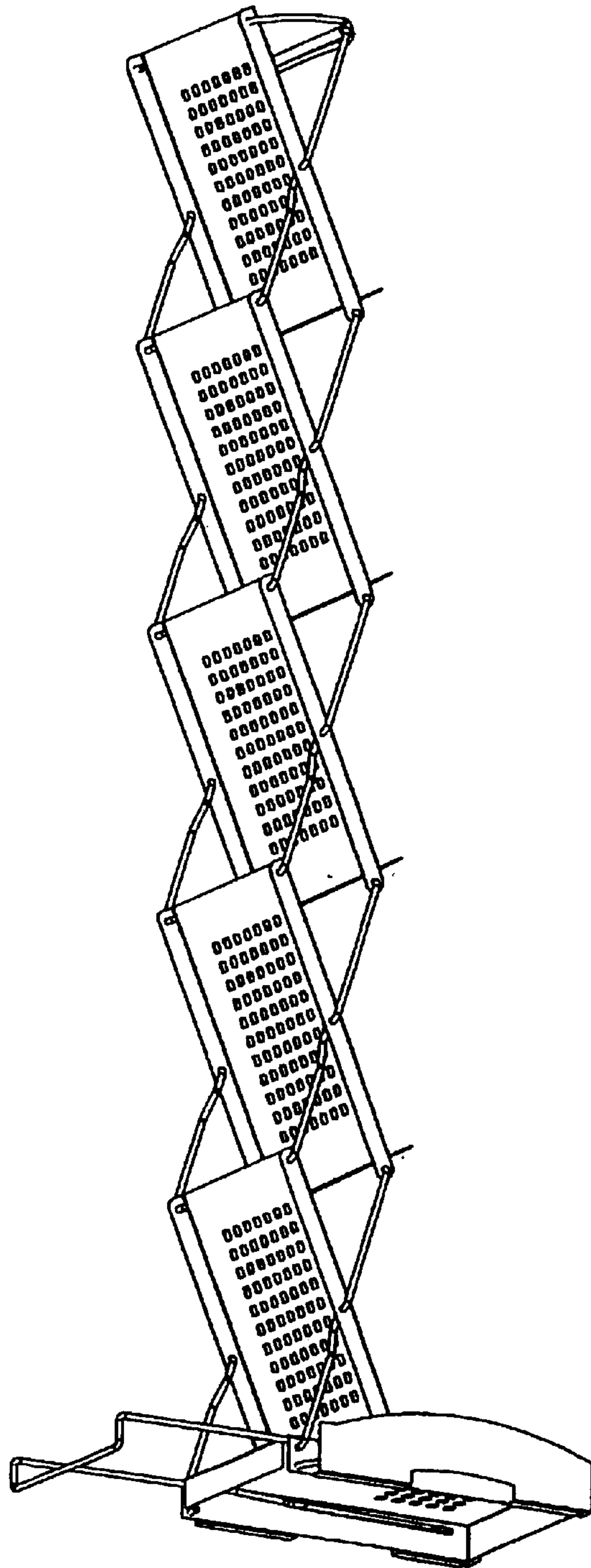


FIG. 4

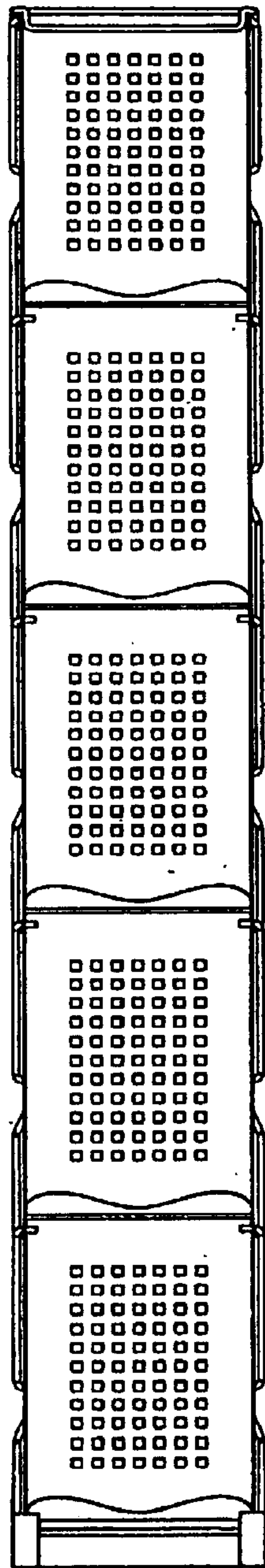


FIG. 5

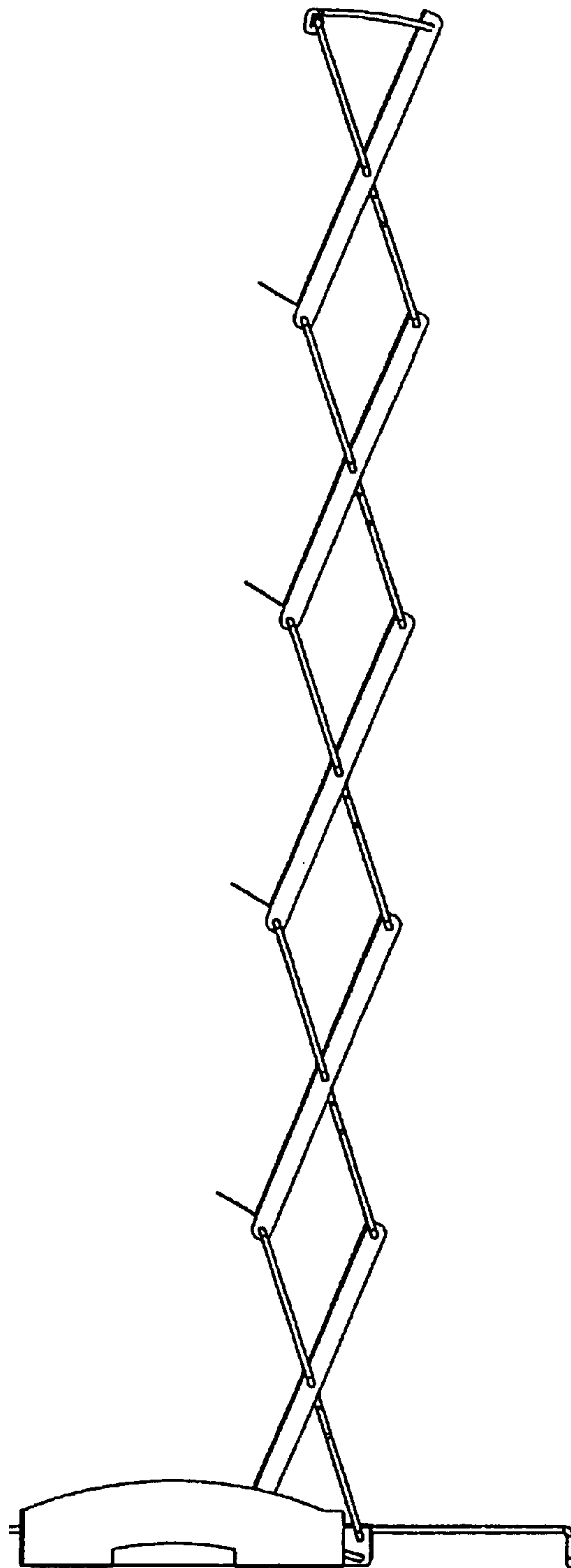


FIG. 6

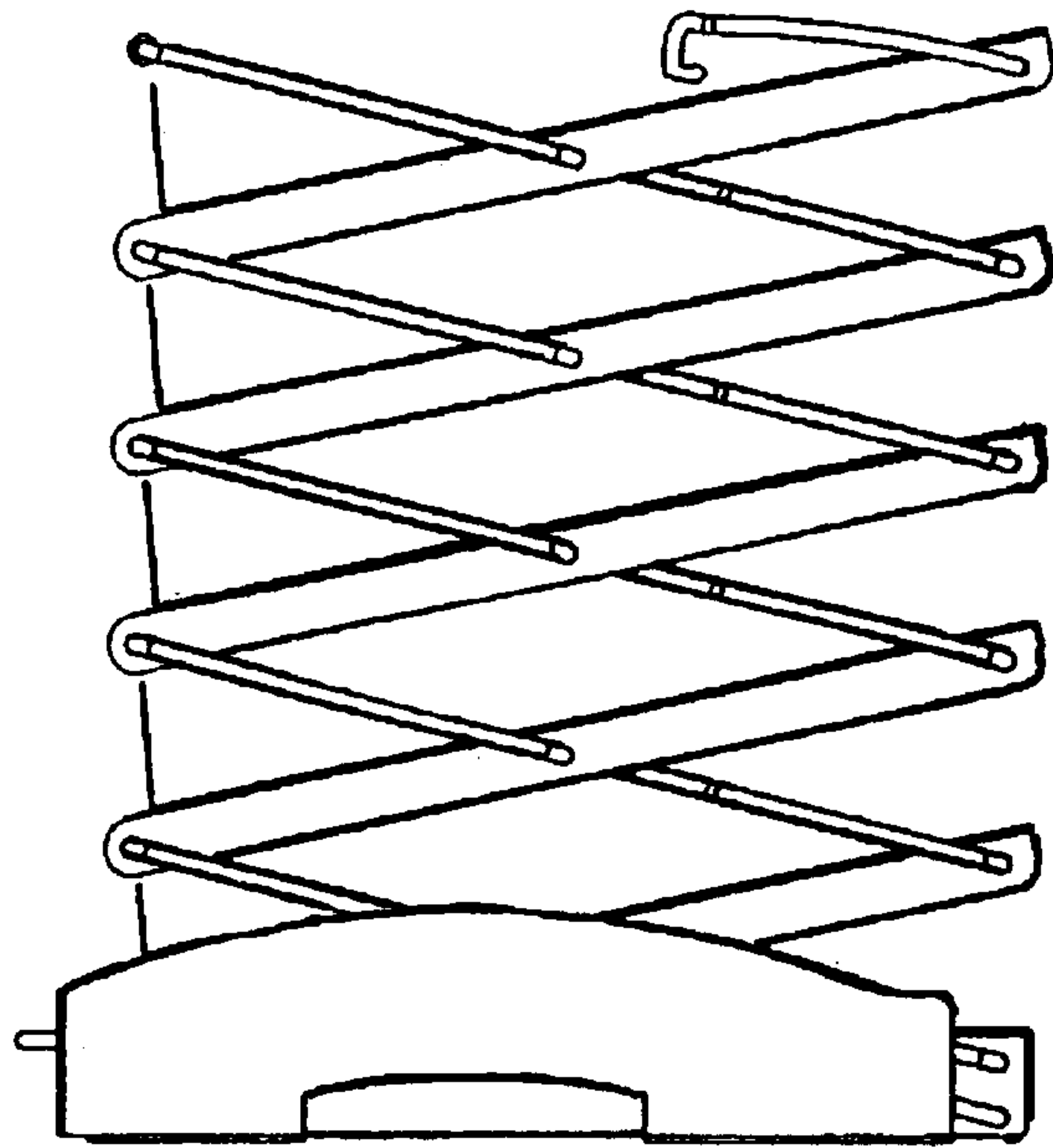


FIG. 7