



US00D533732S

(12) **United States Design Patent**
Juneau

(10) **Patent No.:** **US D533,732 S**
(45) **Date of Patent:** **** Dec. 19, 2006**

(54) **FURNITURE**

(75) Inventor: **Alain Juneau**, St-Jean-Chrysostome (CA)

(73) Assignee: **Baronet, Inc.** (CA)

(**) Term: **14 Years**

(21) Appl. No.: **29/237,552**

(22) Filed: **Sep. 1, 2005**

(51) **LOC (8) Cl.** **06-04**

(52) **U.S. Cl.** **D6/446; D6/448**

(58) **Field of Classification Search** D6/434,
D6/436-448; 312/114, 204, 224, 227
See application file for complete search history.

(56) **References Cited**

U.S. PATENT DOCUMENTS

D178,053 S	*	6/1956	Herrmann	D6/446
D417,973 S		12/1999	Lacroix et al.		
D426,086 S		6/2000	Lacroix et al.		
D427,453 S	*	7/2000	Lacroix et al.	D6/446
D443,439 S	*	6/2001	de Blois	D6/446
D445,597 S	*	7/2001	Stone et al.	D6/446
D493,043 S	*	7/2004	Juneau et al.	D6/446
D513,371 S	*	1/2006	Juneau et al.	D6/446
D520,777 S	*	5/2006	DeBlois	D6/446

OTHER PUBLICATIONS

Furniture Today Supplement, The List, Winter 2001, p. 25.
* cited by examiner

Primary Examiner—Cathron C. Brooks

(74) *Attorney, Agent, or Firm*—SAIDMAN DesignLaw Group

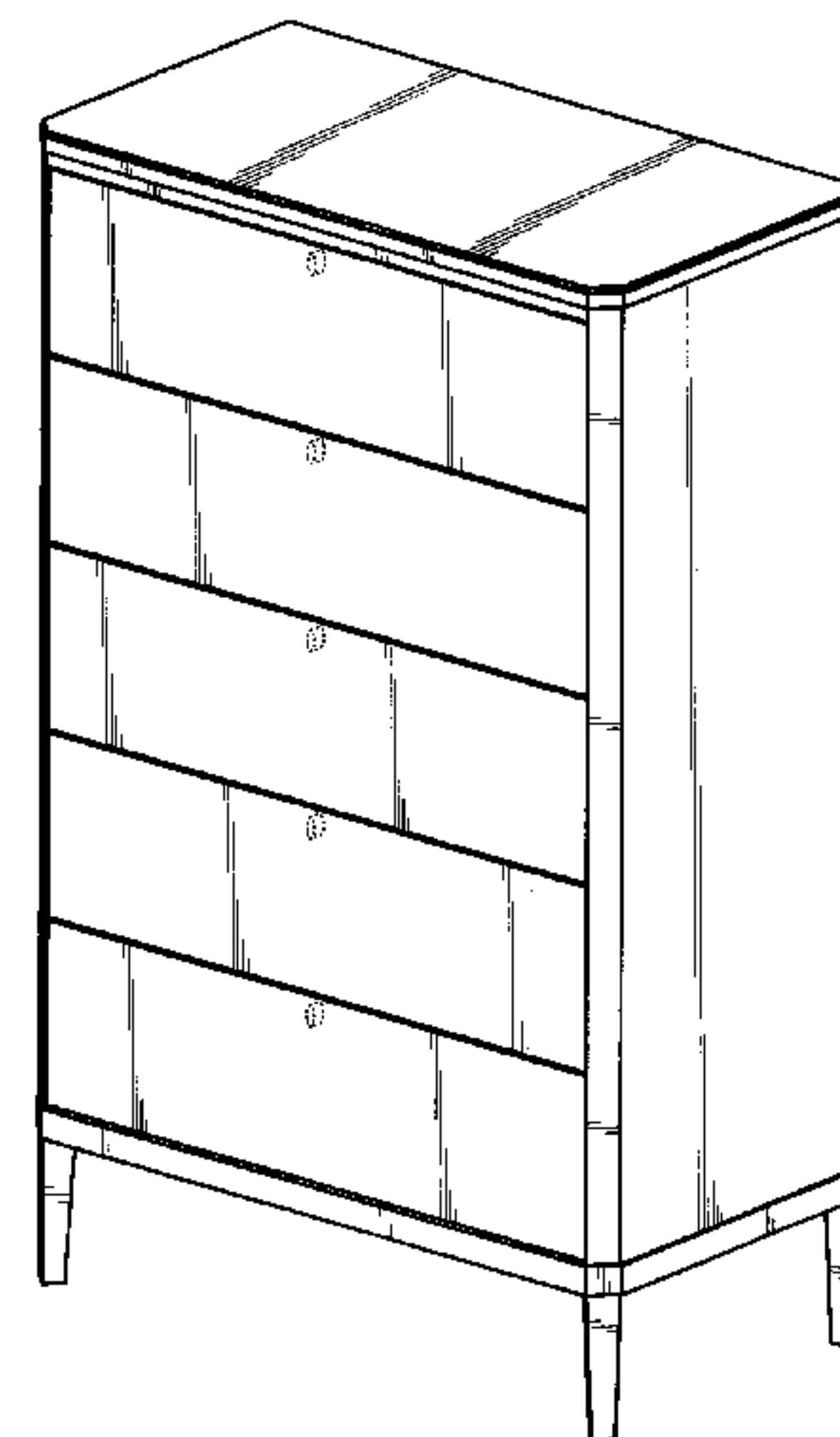
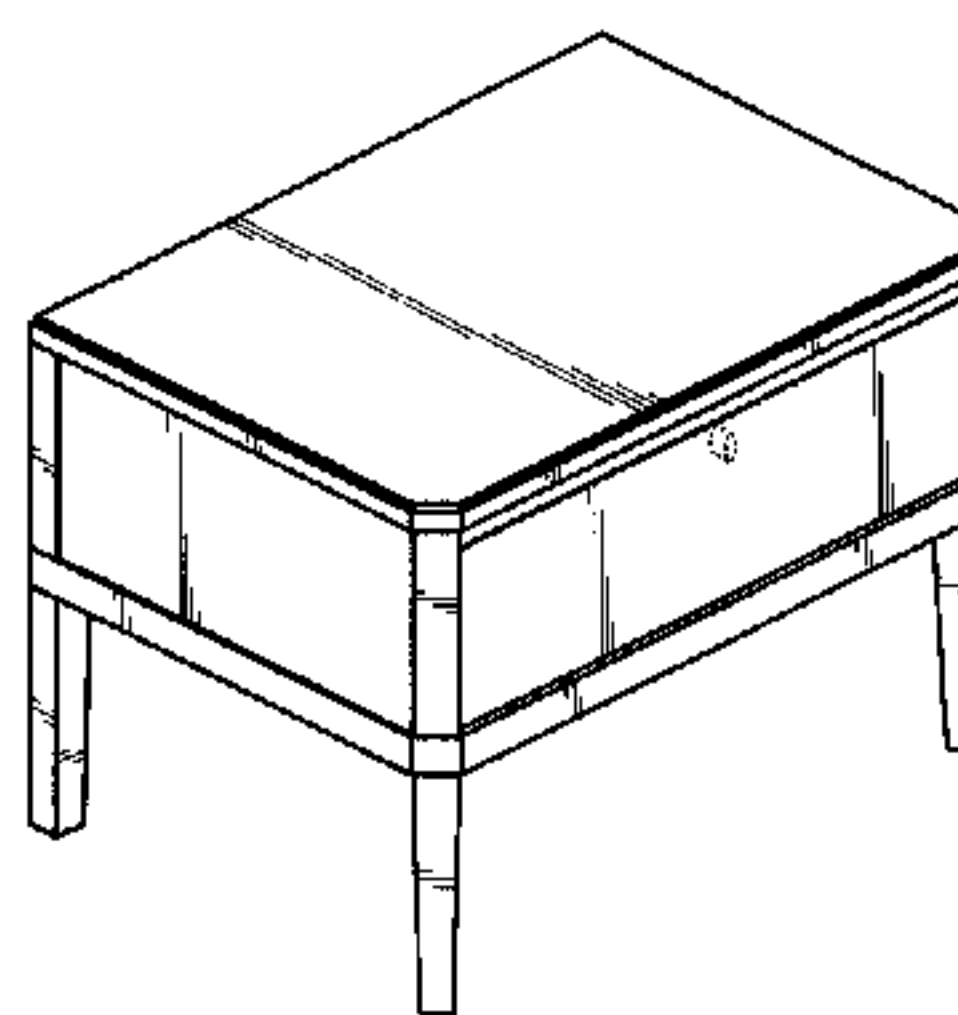
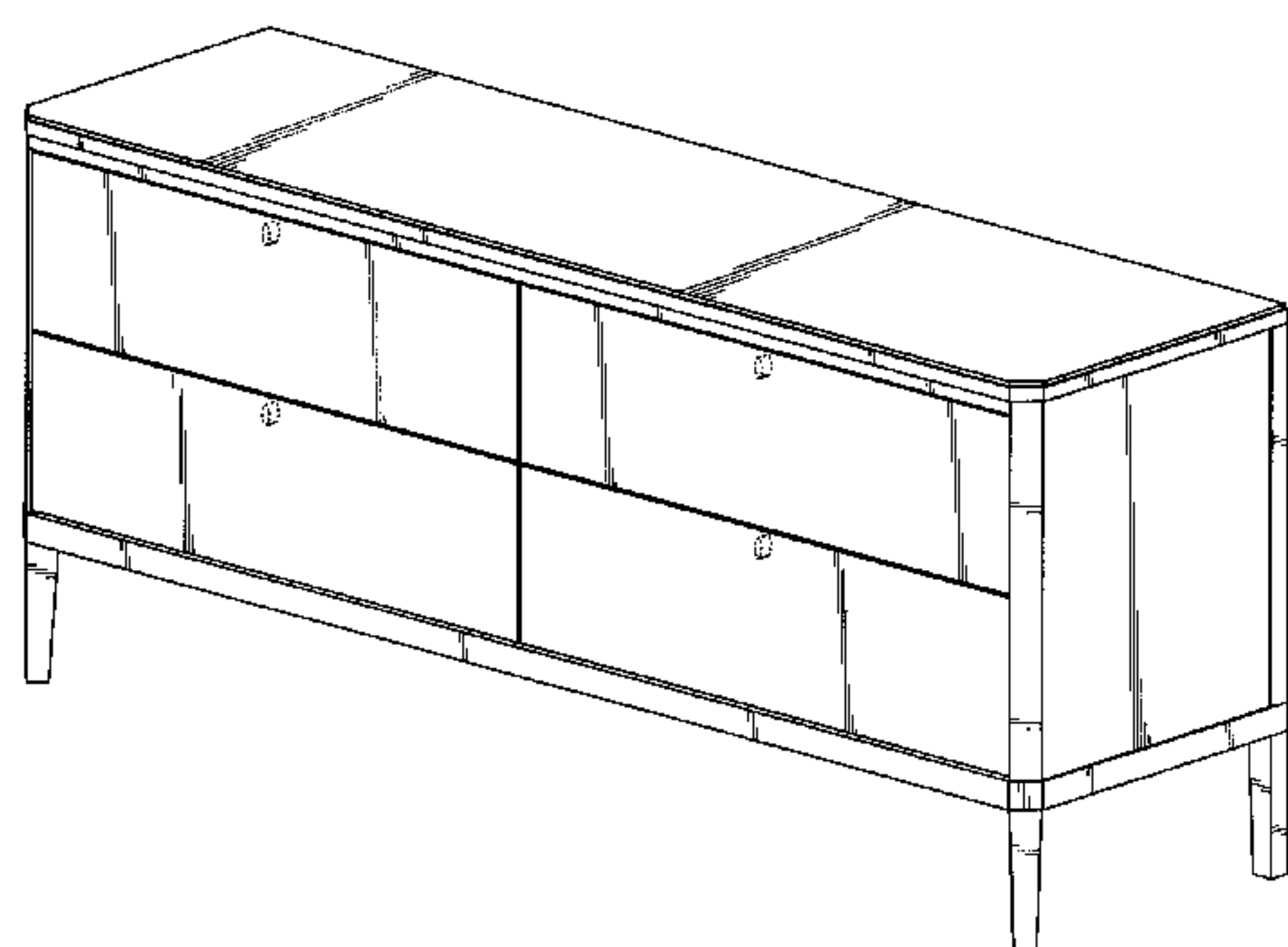
(57) **CLAIM**

The ornamental design for a furniture, as shown and described.

DESCRIPTION

FIG. 1 is a front perspective view of a first embodiment of a furniture showing my new design;
FIG. 2 is a rear perspective view thereof;
FIG. 3 is a front view thereof;
FIG. 4 is a right-side view thereof, the left-side view being a mirror image; and
FIG. 5 is a top view thereof;
FIG. 6 is a front perspective view of a second embodiment of a furniture showing my new design;
FIG. 7 is a rear perspective view thereof;
FIG. 8 front perspective view of a third embodiment of a furniture showing my new design; and,
FIG. 9 is rear perspective view thereof.
The broken lines showing in the drawing are illustrative and form no part of the claimed design.

1 Claim, 6 Drawing Sheets



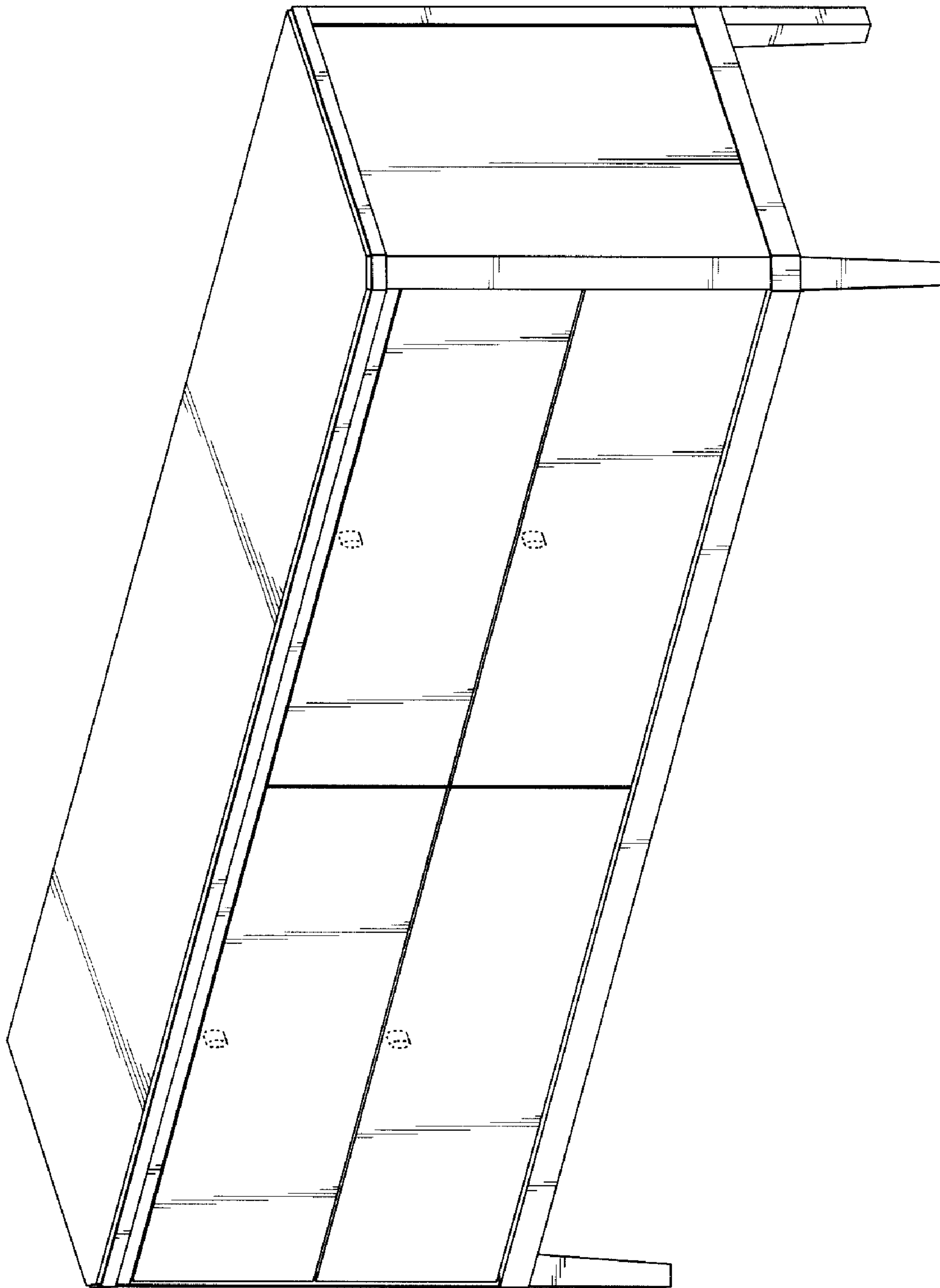


Fig. 1

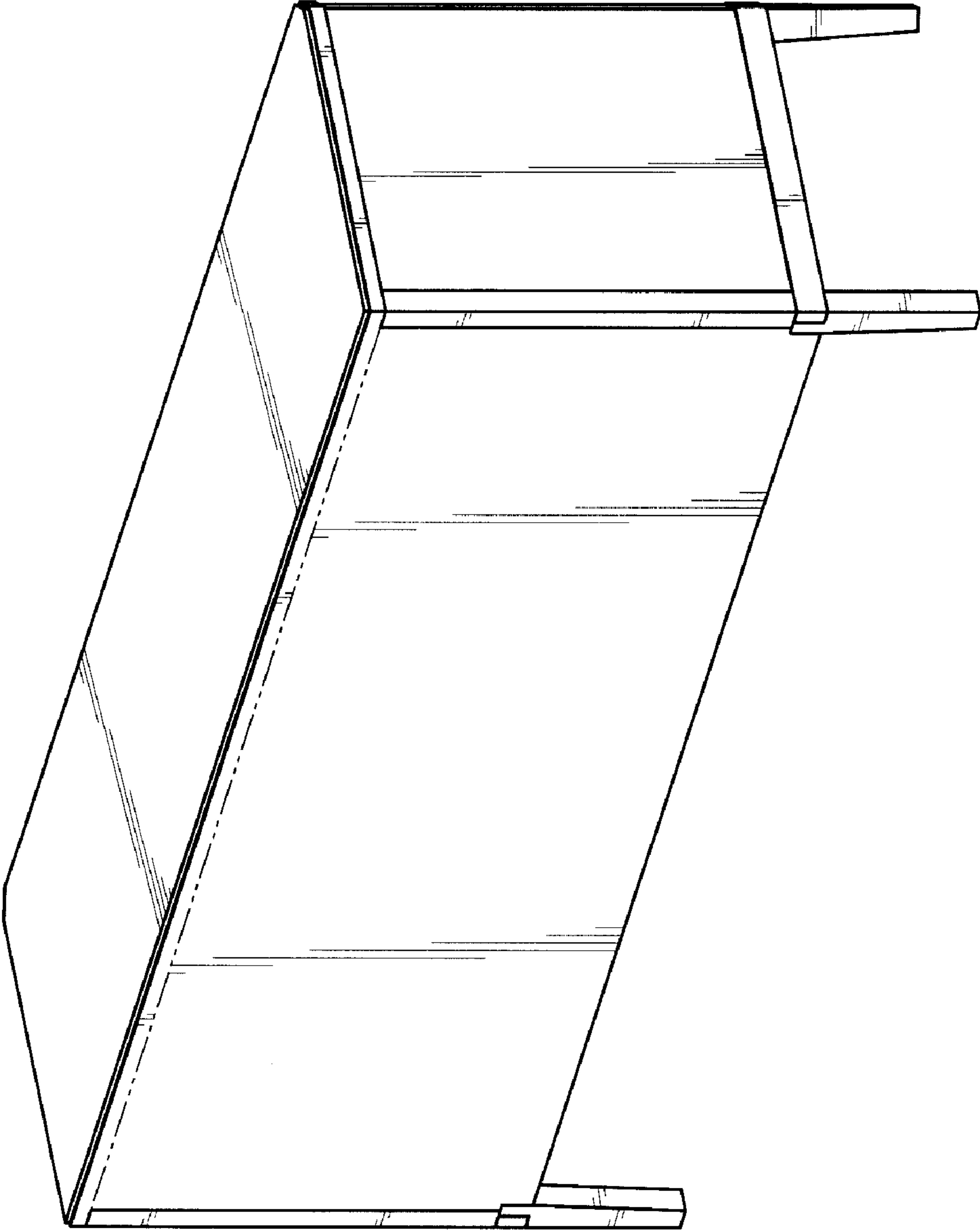


Fig. 2

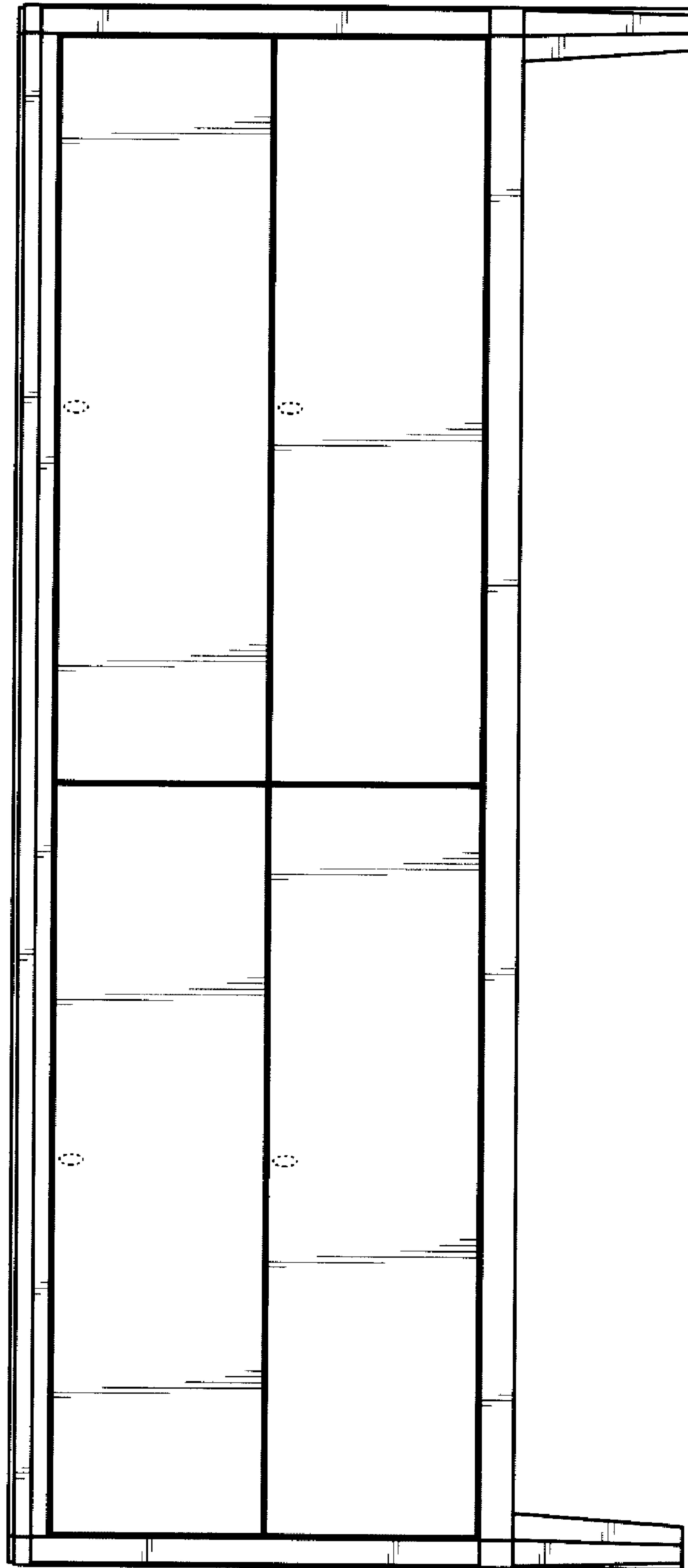


Fig. 3

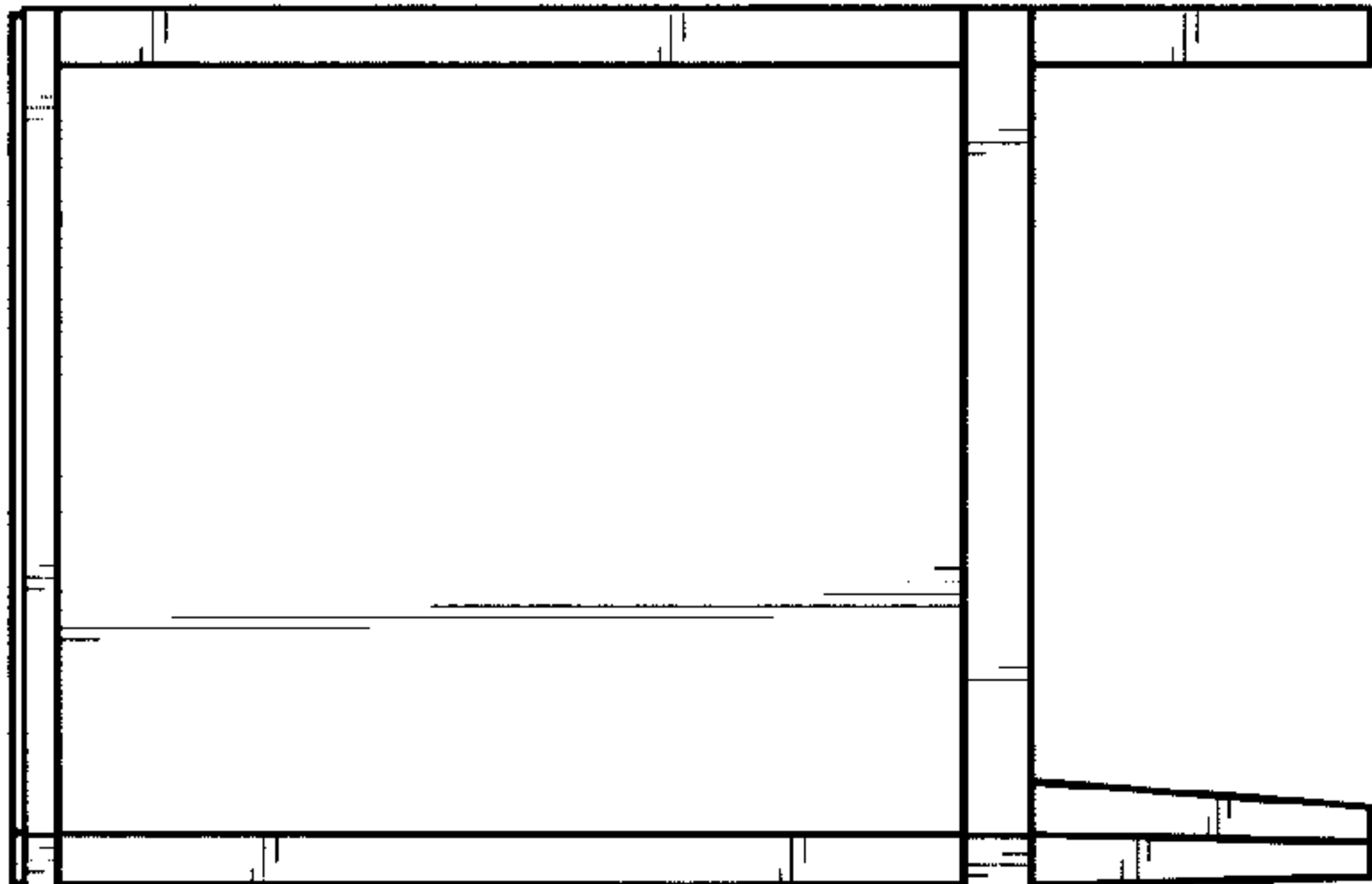


Fig. 4

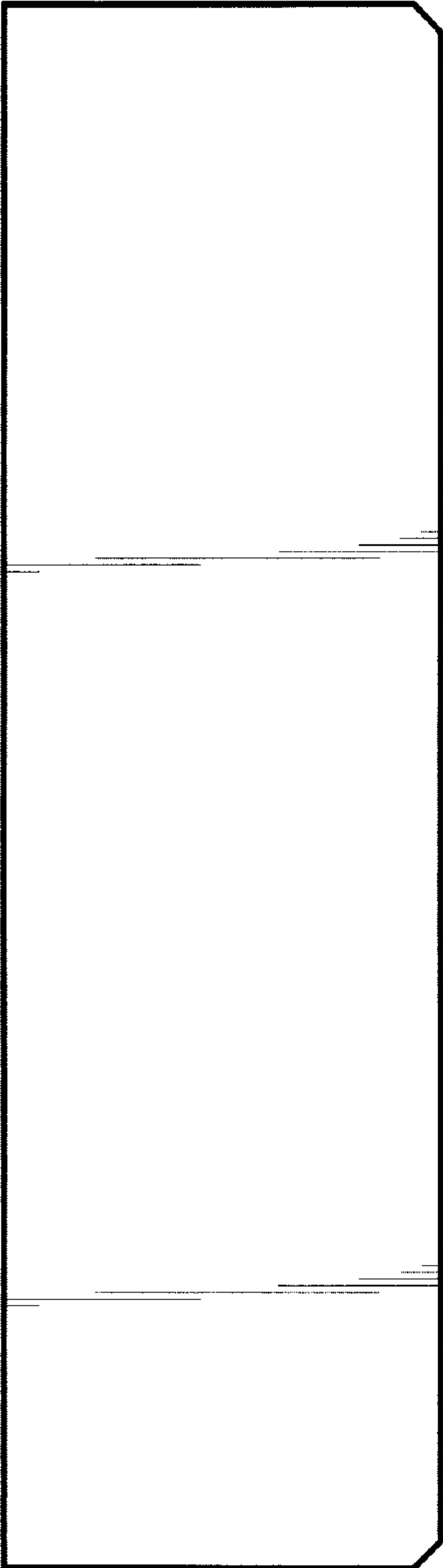


Fig. 5

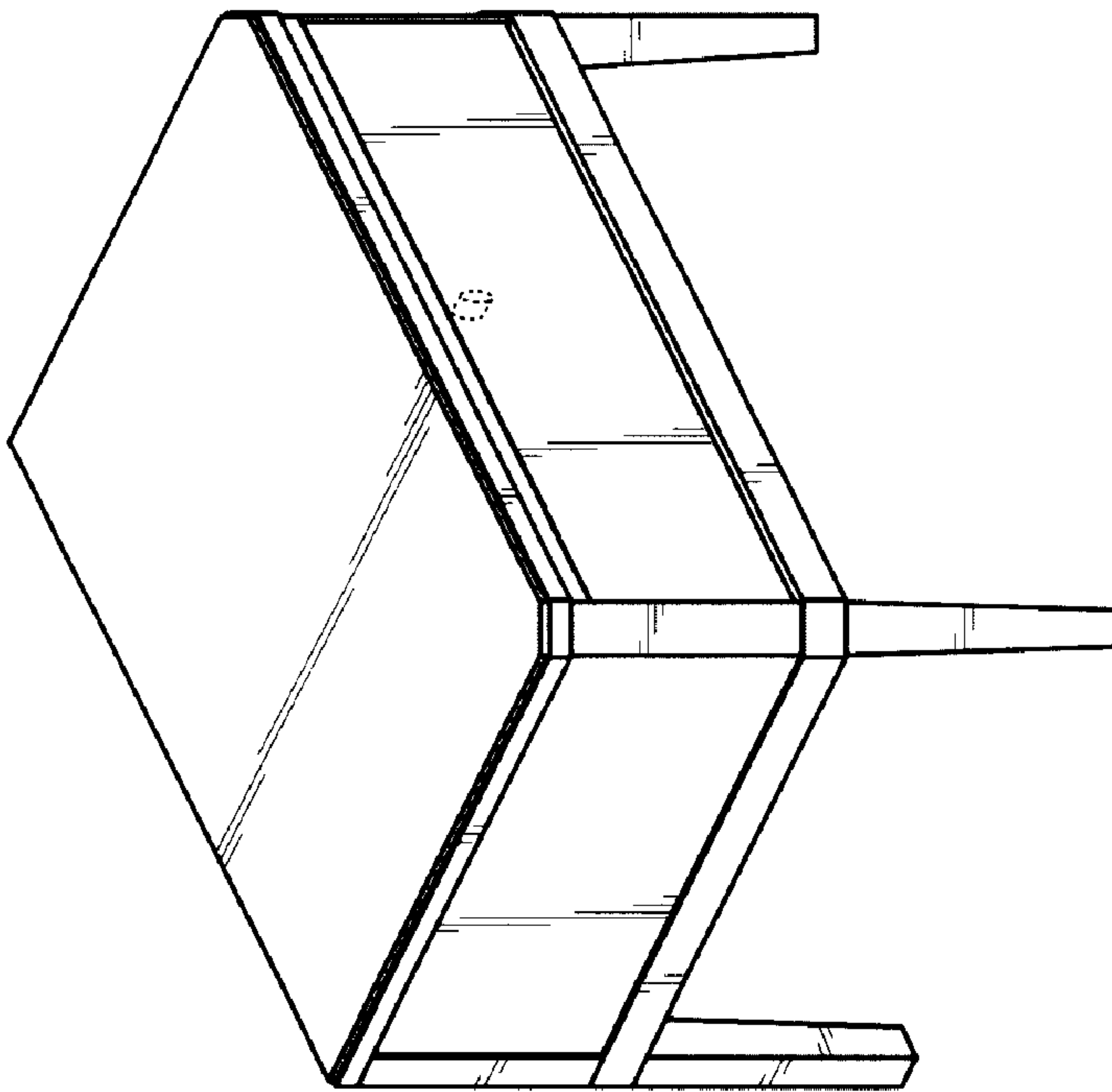


Fig. 6

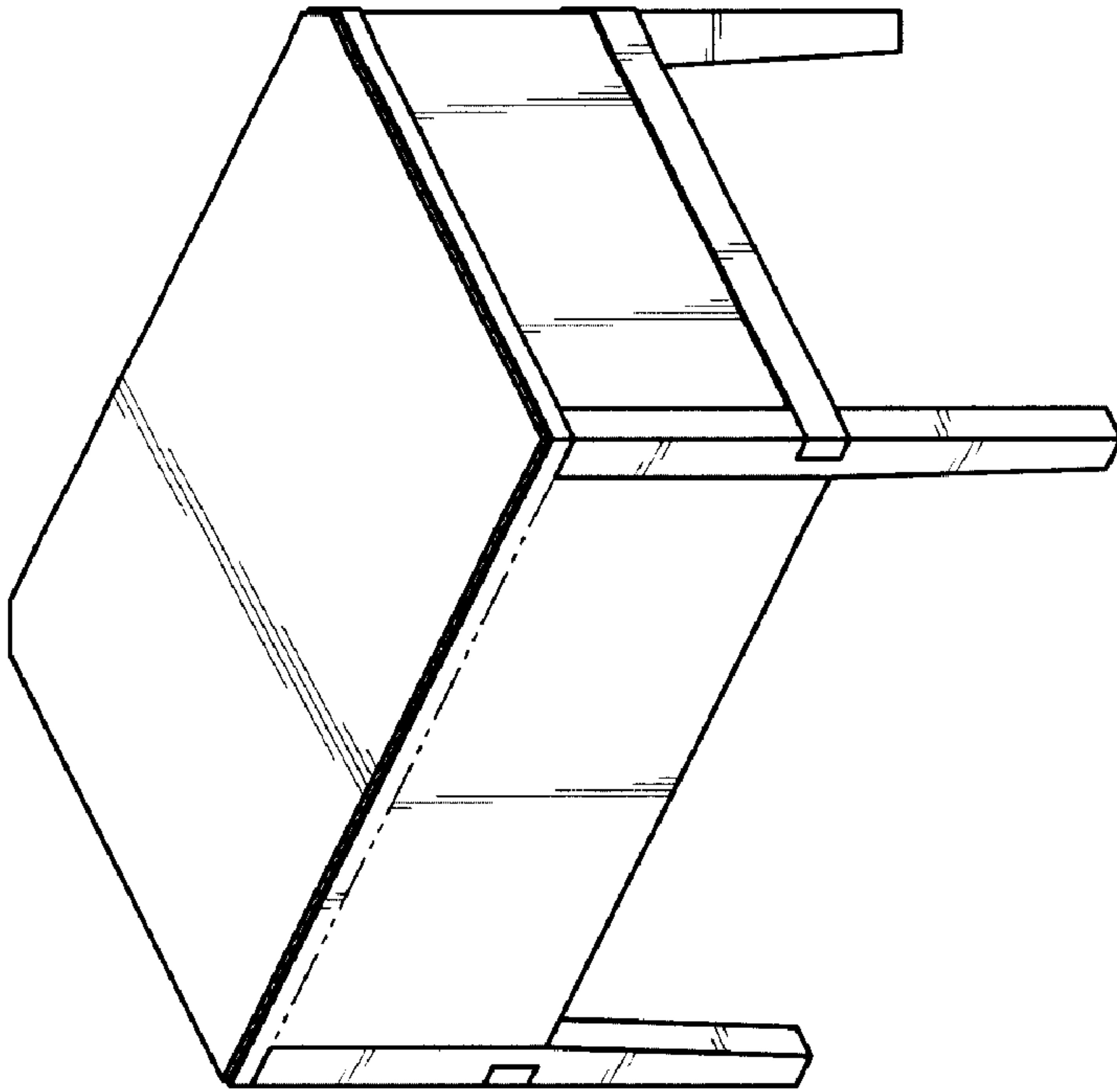


Fig. 7

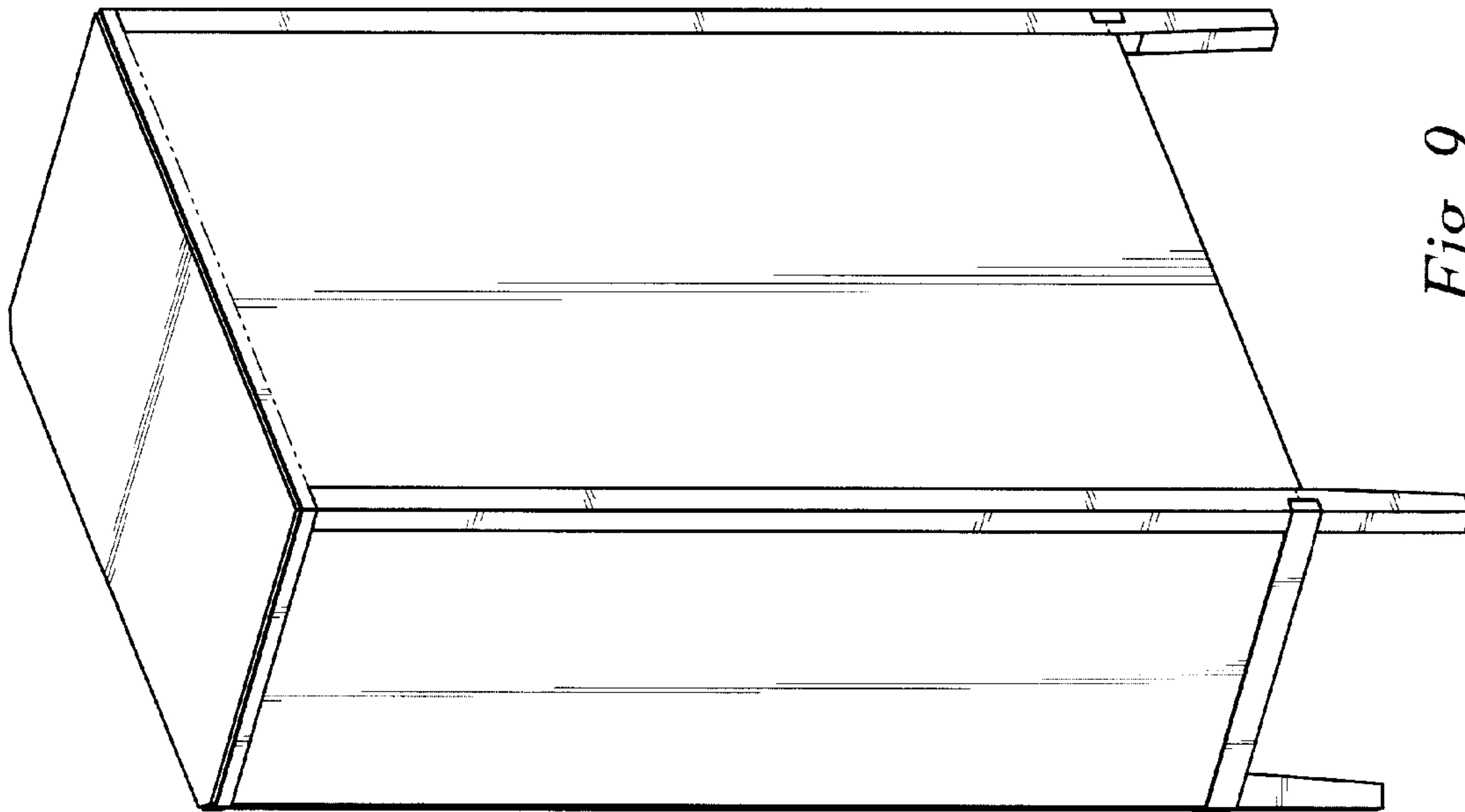


Fig. 9

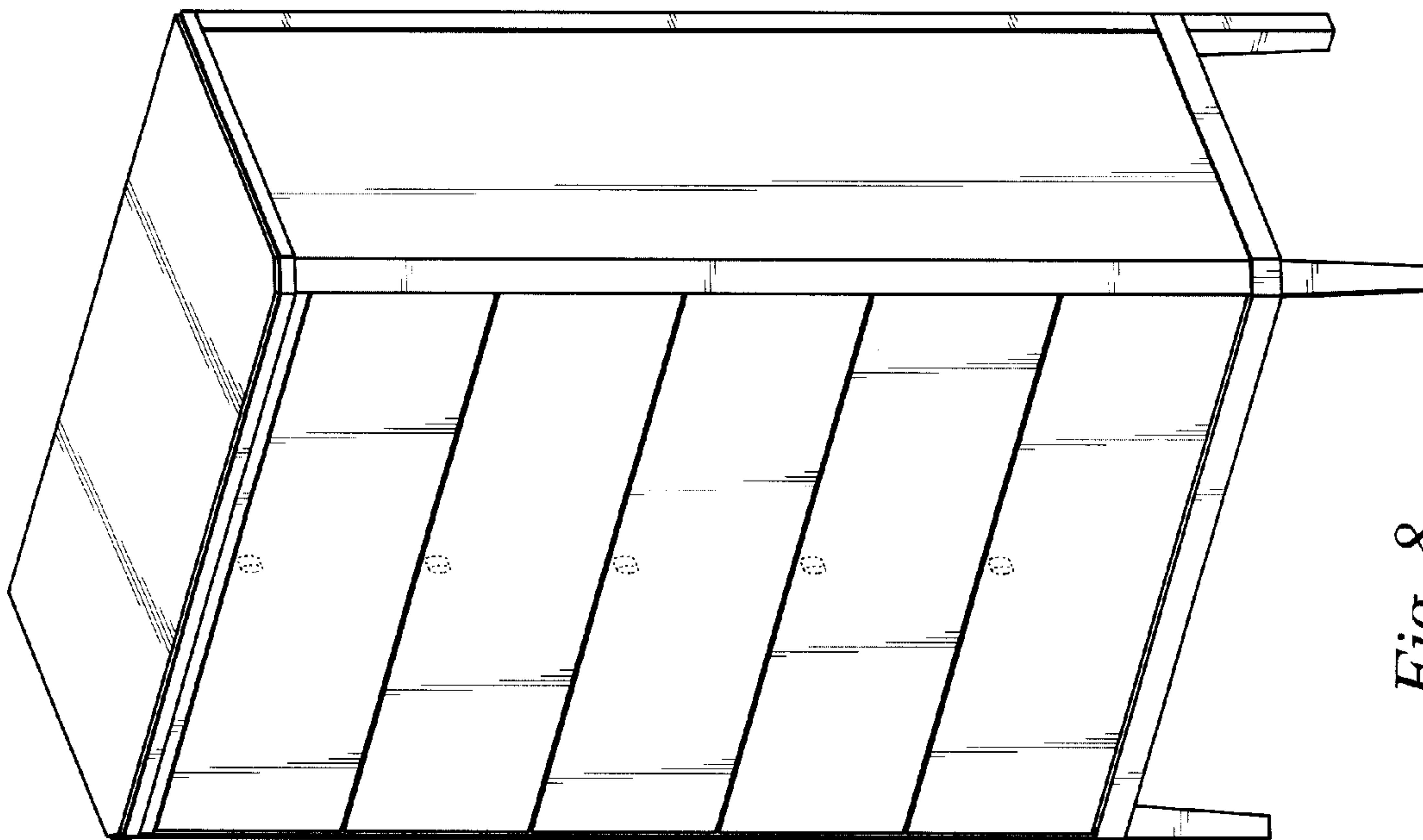


Fig. 8