



US00D533730S

(12) **United States Design Patent** (10) **Patent No.:** **US D533,730 S**
Stearns (45) **Date of Patent:** **** Dec. 19, 2006**

(54) **WORKSTATION**

D478,748 S * 8/2003 Liu D6/495

(75) Inventor: **Robert W. Stearns**, Granby, CT (US)

* cited by examiner

(73) Assignee: **Alvin & Company, Inc.**, Bloomfield, CT (US)

Primary Examiner—Janice Seeger
(74) *Attorney, Agent, or Firm*—Cantor Colburn LLP

(**) Term: **14 Years**

(57) **CLAIM**

(21) Appl. No.: **29/229,887**

I claim, the ornamental design for a workstation, as shown and described.

(22) Filed: **May 13, 2005**

DESCRIPTION

(51) **LOC (8) Cl.** **06-03**

(52) **U.S. Cl.** **D6/422; D6/420**

(58) **Field of Classification Search** D6/480–489, D6/495–499, 422–426, 420; 108/150, 153.1, 108/155, 156, 157.1, 161, 157.18; 248/188, 248/188.1; 312/194–196

See application file for complete search history.

FIG. 1 is a perspective view of a workstation, showing my new design;
FIG. 2 is a front elevational view thereof;
FIG. 3 is a rear elevational view thereof;
FIG. 4 is an elevational view thereof taken from the right side of FIG. 2;
FIG. 5 is an elevational view thereof taken from the left side of FIG. 2;
FIG. 6 is a top plan view thereof;
FIG. 7 is a perspective view of the workstation in an alternate position; and,
FIG. 8 is a perspective view of a second embodiment of my new design.

(56) **References Cited**

U.S. PATENT DOCUMENTS

- 2,997,267 A * 8/1961 Shelly 312/195
- 4,196,675 A * 4/1980 Cook D6/487
- D269,395 S * 6/1983 Kapp D6/420
- D334,677 S * 4/1993 Hinden D6/484
- D396,971 S * 8/1998 Svensson D6/429

1 Claim, 8 Drawing Sheets

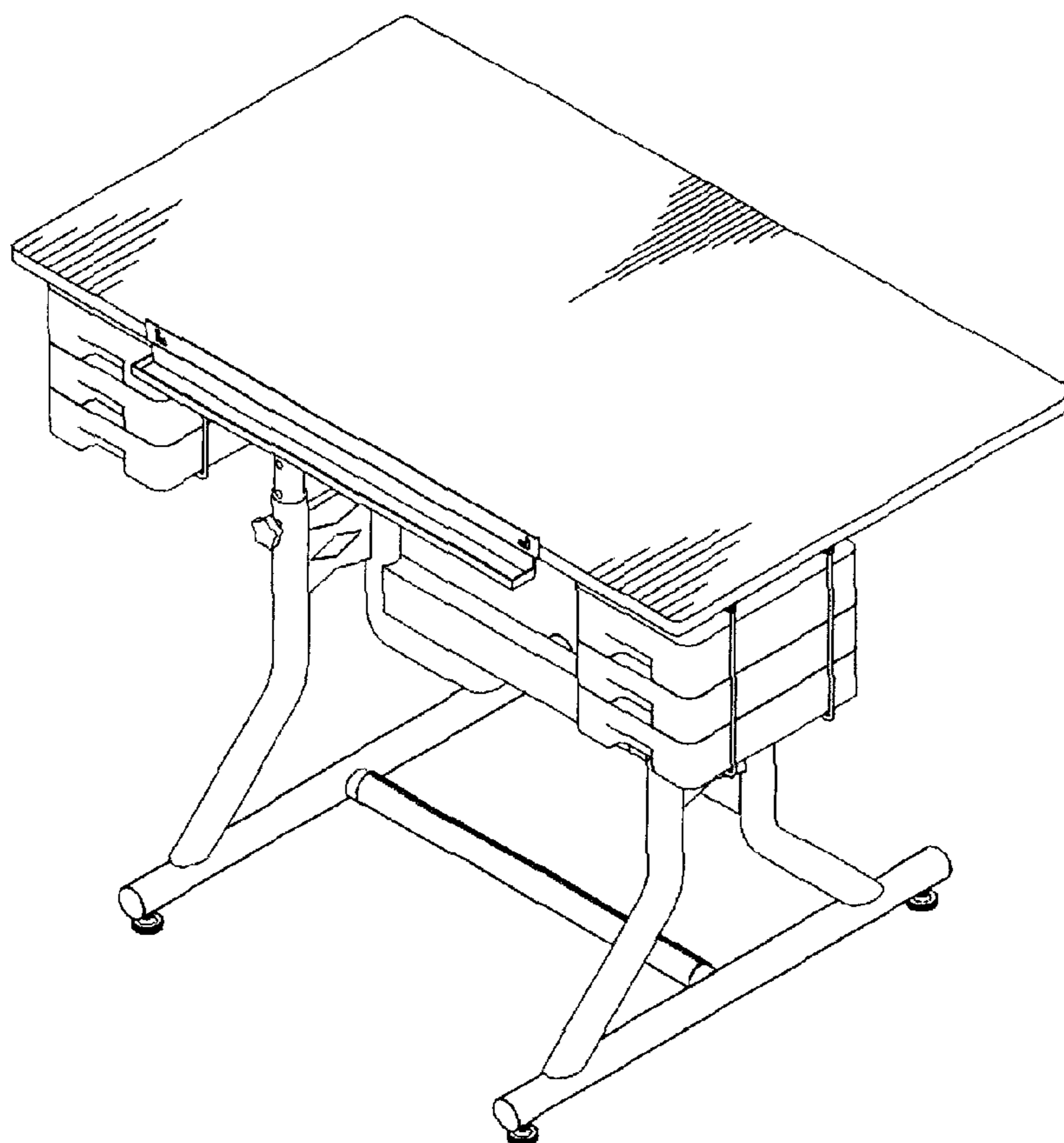


FIGURE 1

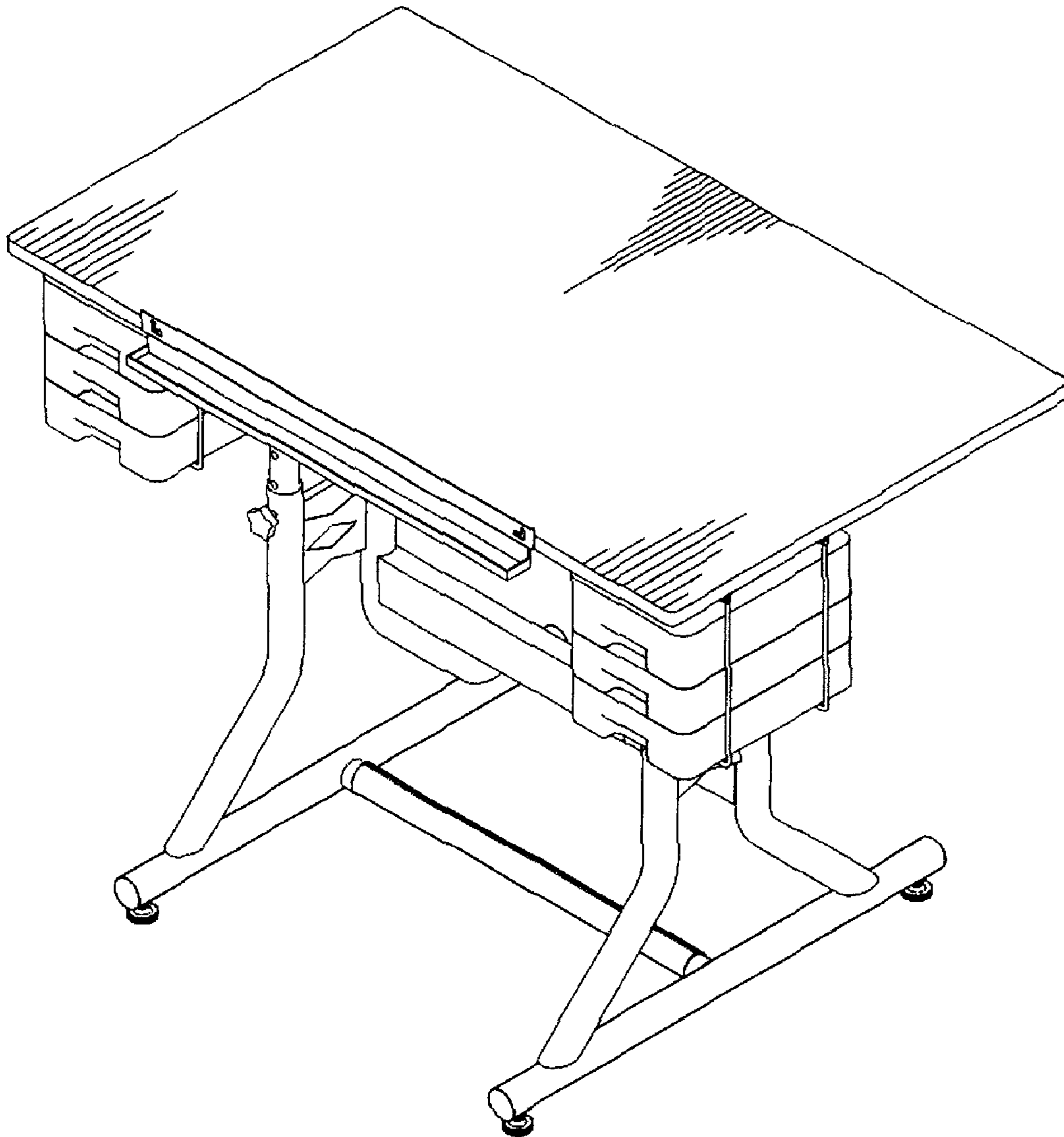


FIGURE 2

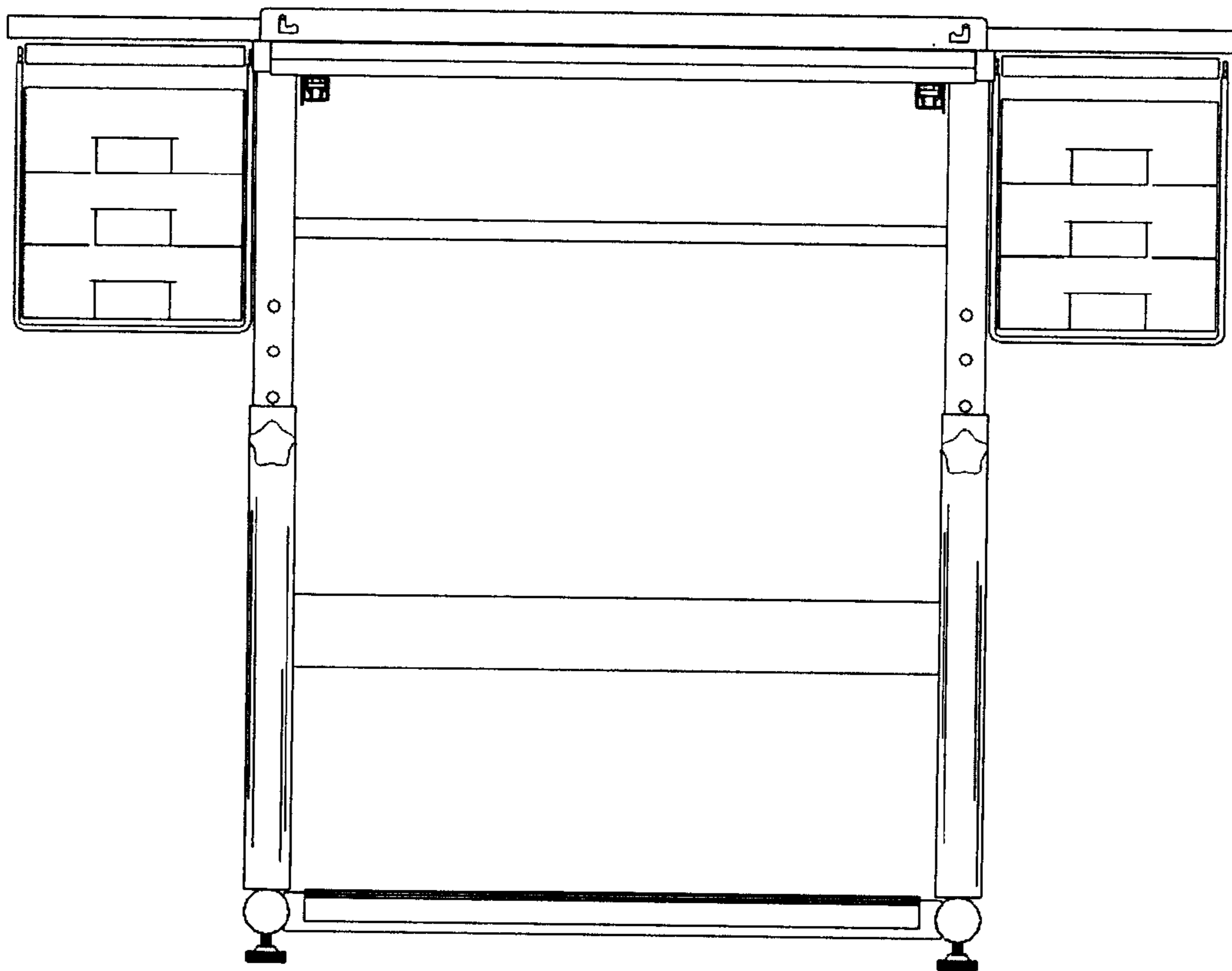


FIGURE 3

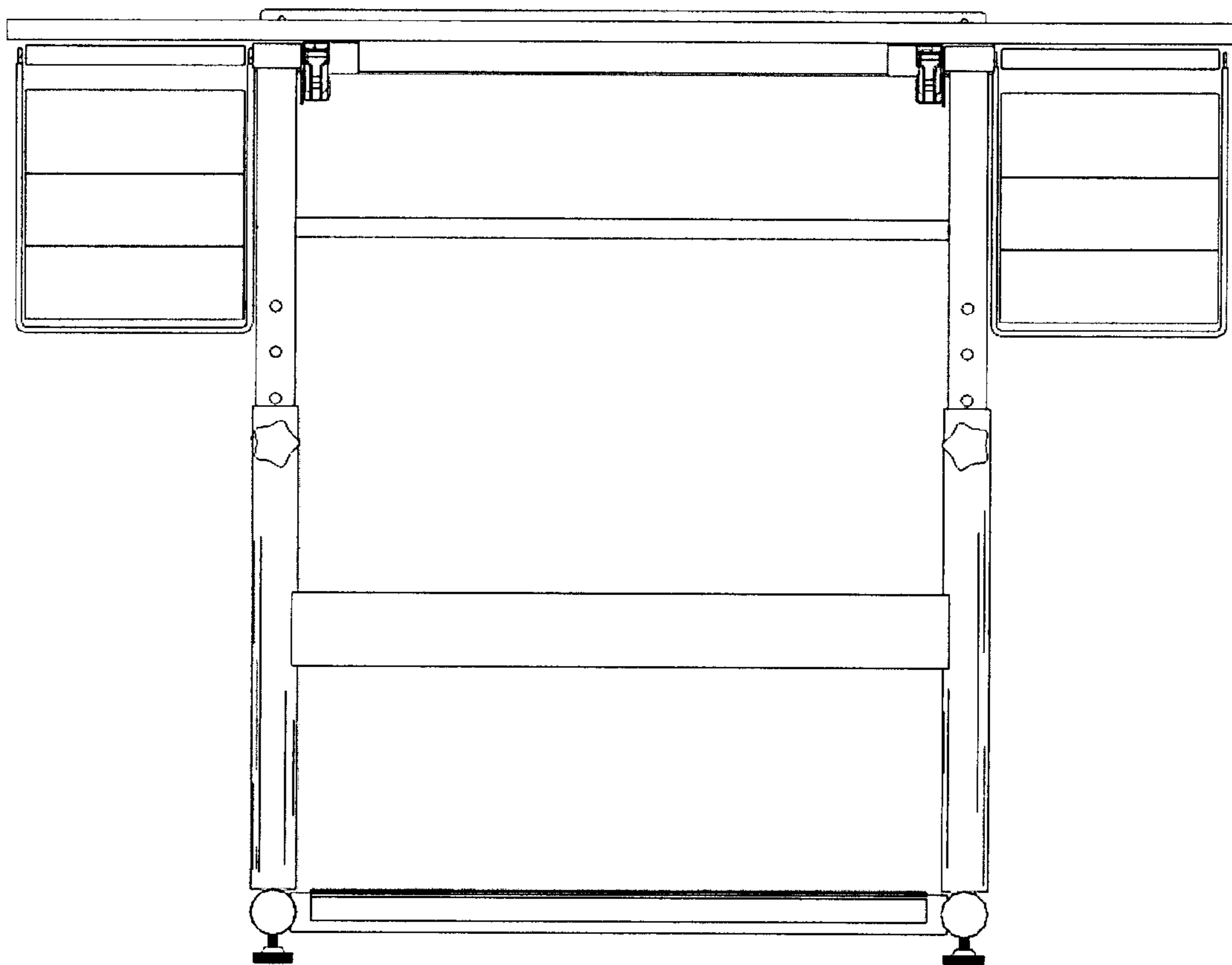


FIGURE 4

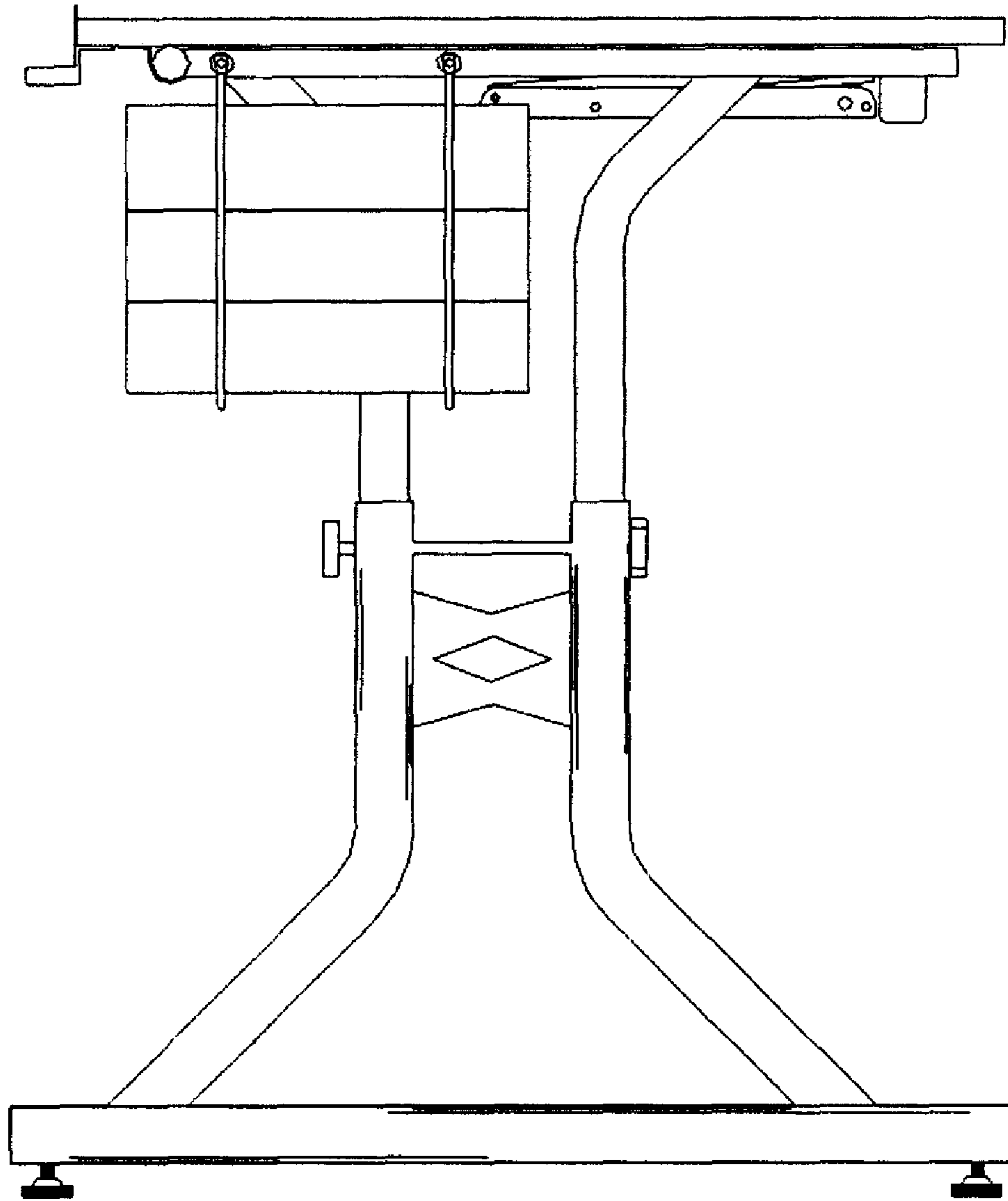


FIGURE 5

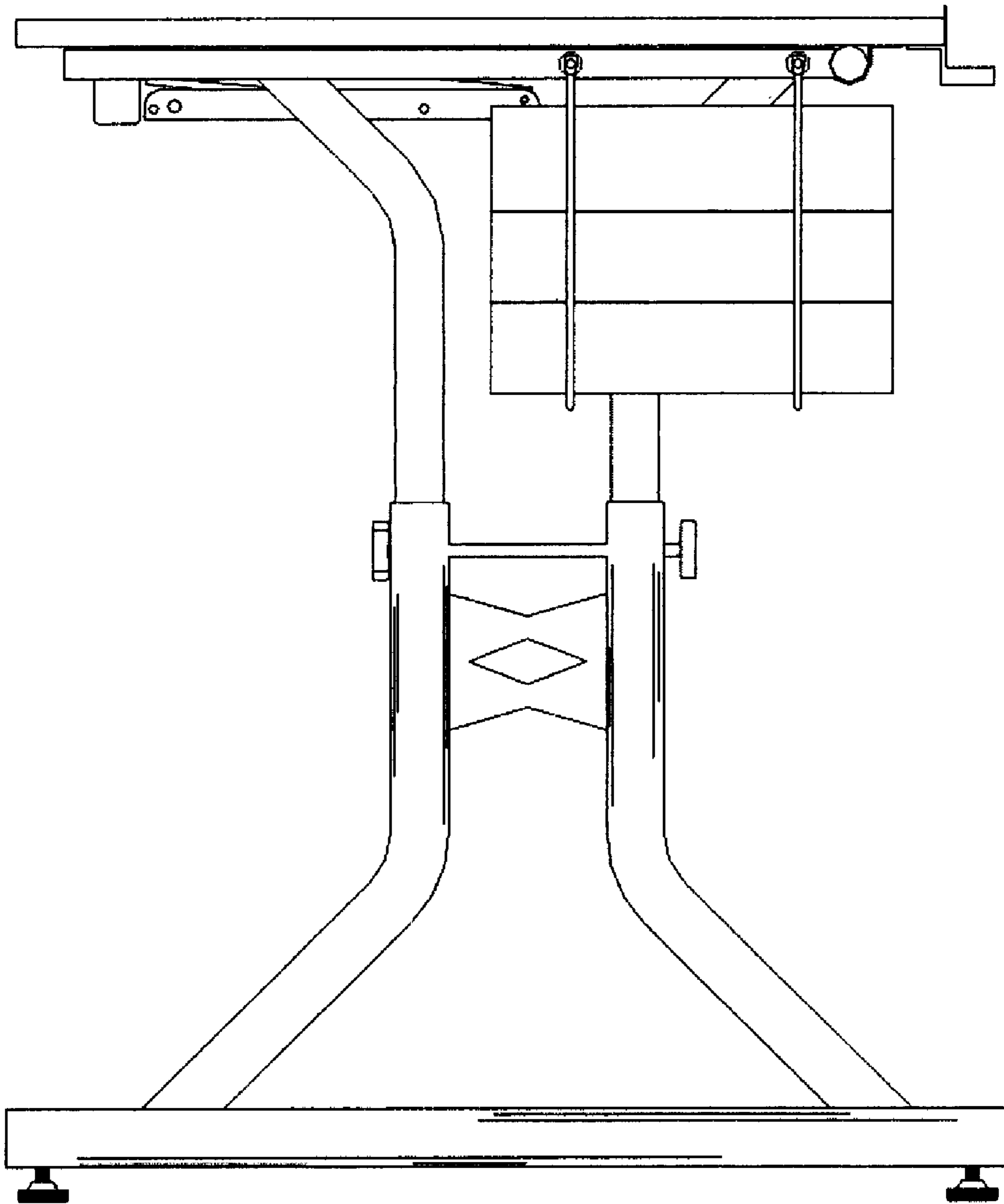


FIGURE 6

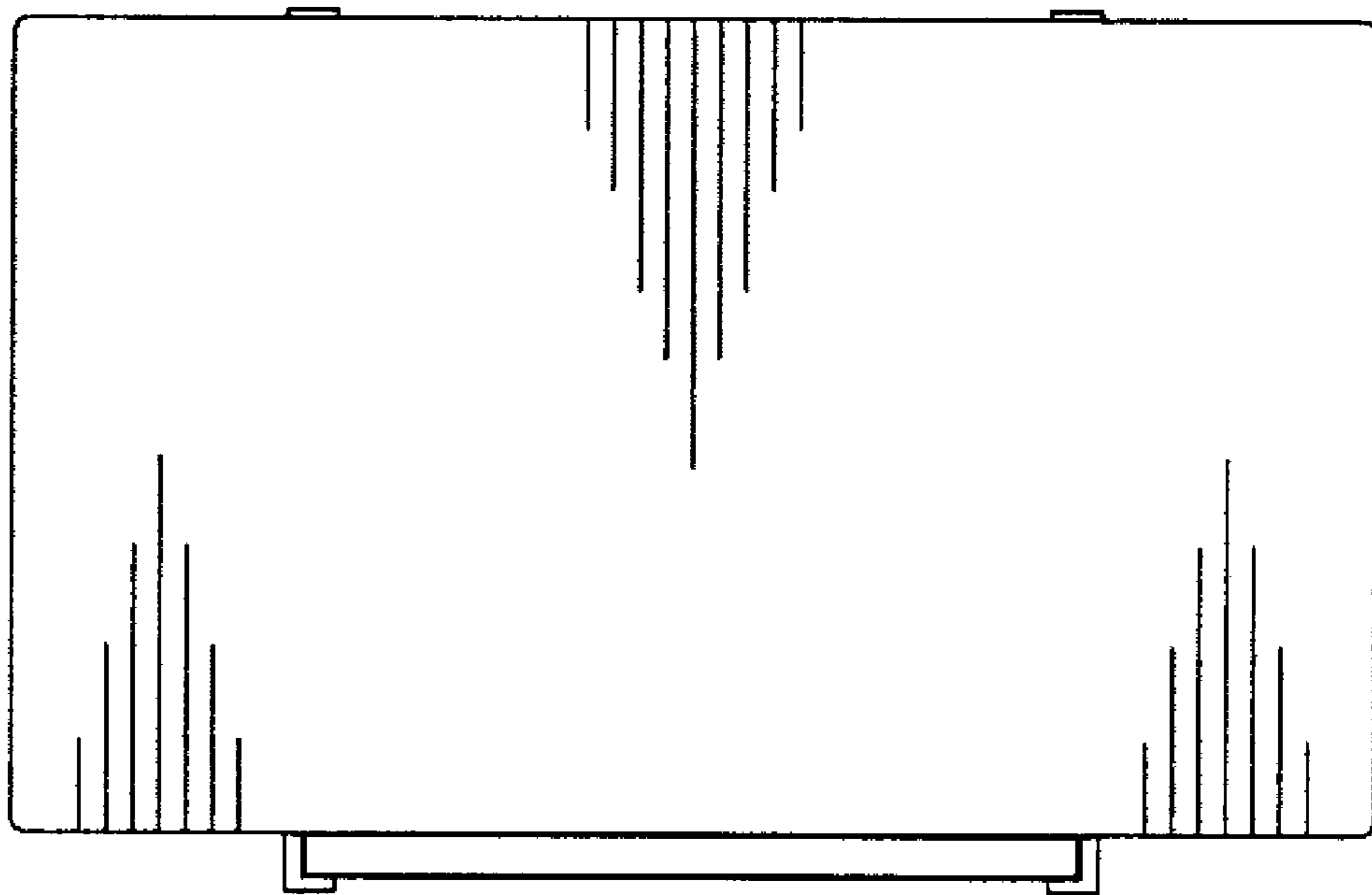


FIGURE 7

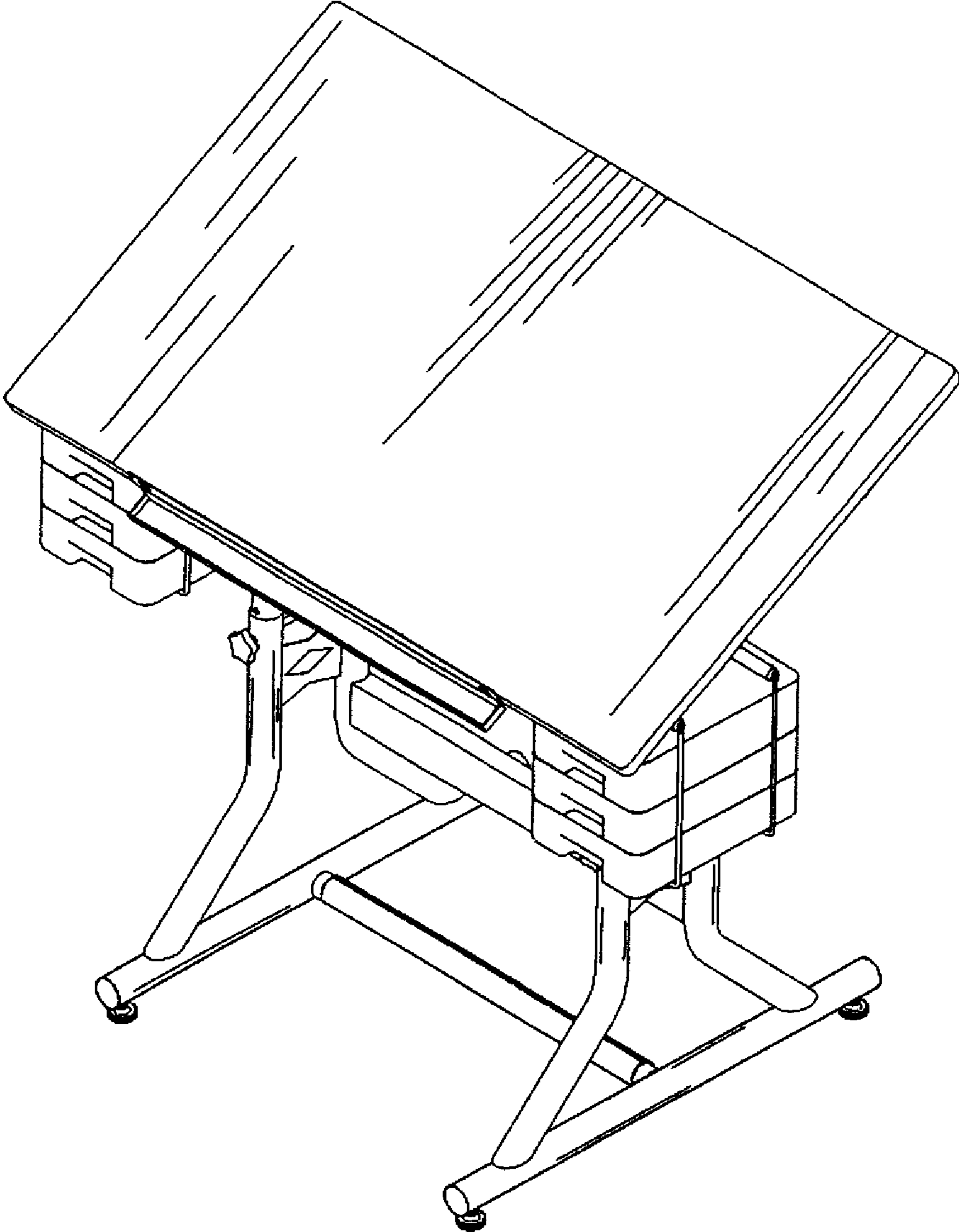


FIGURE 8

