



US00D533721S

(12) **United States Design Patent**
Urria

(10) **Patent No.:** **US D533,721 S**

(45) **Date of Patent:** **** Dec. 19, 2006**

(54) **SHAVING CREAM BRUSH**

(76) **Inventor:** **Eleodoro Urria**, 103 Thrayer St., #22-C,
New York City, NY (US) 10040

(**) **Term:** **14 Years**

(21) **Appl. No.:** **29/200,468**

(22) **Filed:** **Mar. 1, 2004**

(51) **LOC (8) Cl.** **04-02**

(52) **U.S. Cl.** **D4/114; D4/127**

(58) **Field of Classification Search** D4/114,
D4/116, 121, 127; 132/289, 290; 222/146.3,
222/191; 401/137, 190, 270, 281, 288, 289
See application file for complete search history.

(56) **References Cited**

U.S. PATENT DOCUMENTS

- 2,849,737 A * 9/1958 Piccinini et al. 401/270
- 3,981,597 A * 9/1976 Cohn 401/190
- 4,636,102 A * 1/1987 Drake 401/190

- D288,502 S * 3/1987 Barkley D4/114
- 4,753,547 A * 6/1988 Doderio 401/190
- D371,459 S * 7/1996 Cameron D4/127

* cited by examiner

Primary Examiner—Alan P. Douglas
Assistant Examiner—Lavone D. Tabor

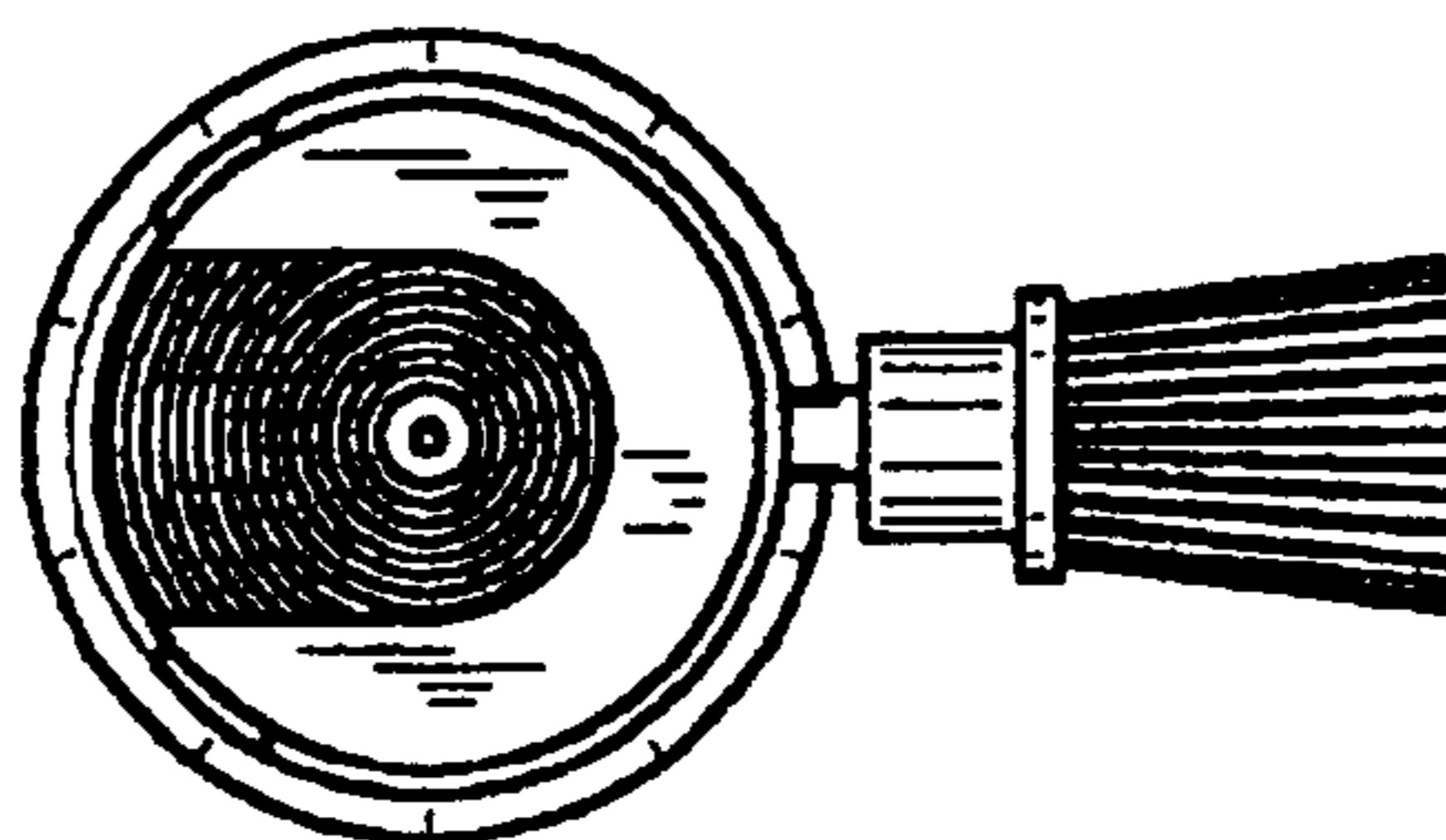
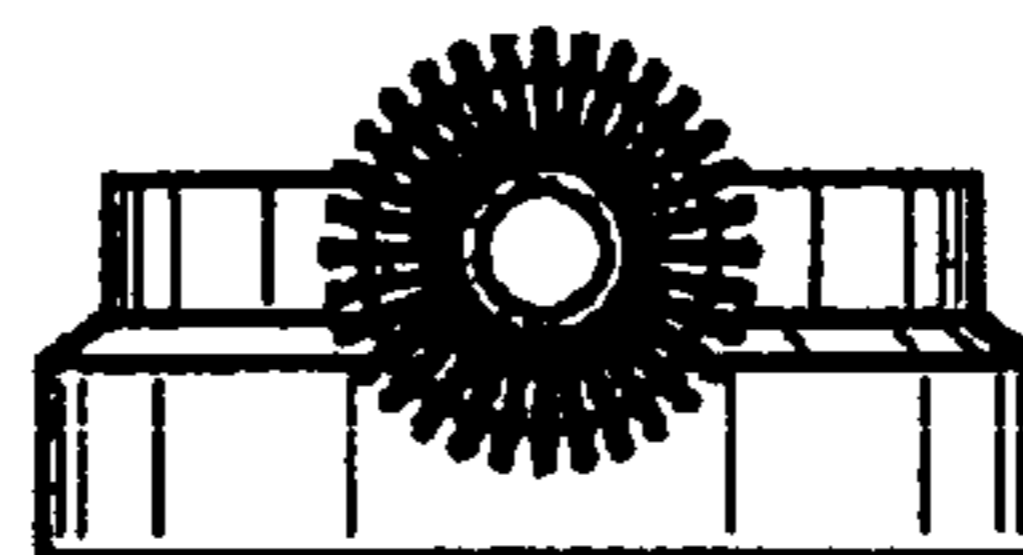
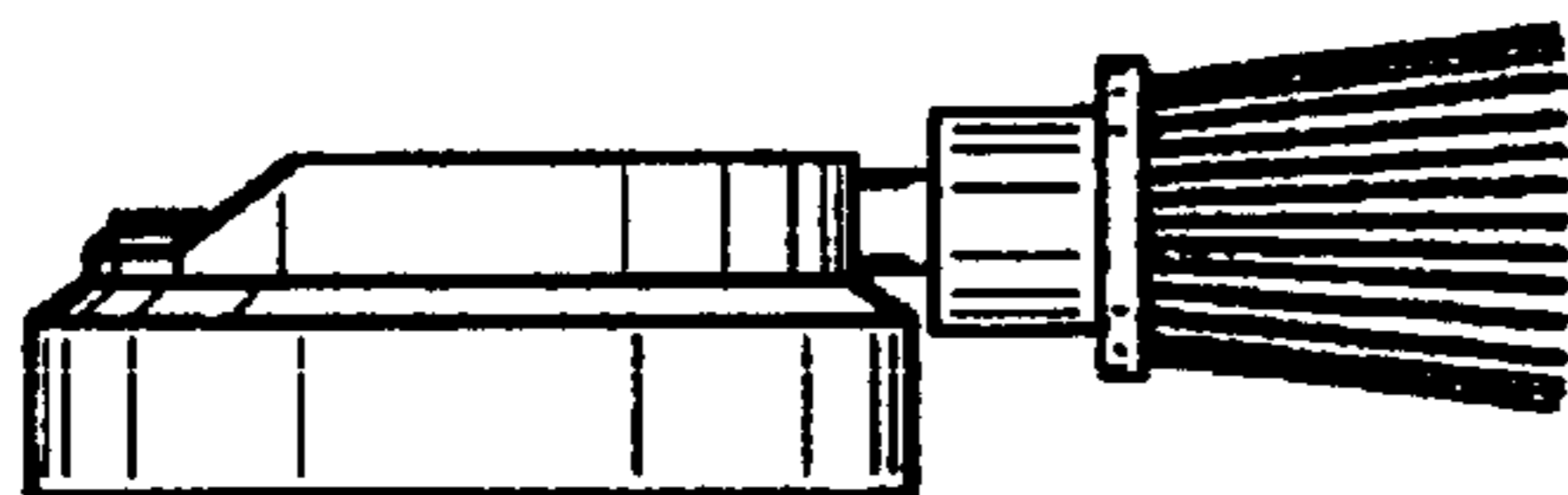
(57) **CLAIM**

The ornamental design for a shaving cream brush, as shown and described.

DESCRIPTION

FIG. 1 is a side view of a shaving cream brush showing my new design.
FIG. 2 is a front view of the shaving cream brush.
FIG. 3 is a back view of the shaving cream brush.
FIG. 4 is a top view of the shaving cream brush.
FIG. 5 is a bottom view of the shaving cream brush; and,
FIG. 6 is another side view of the shaving cream brush shown in an exploded condition.

1 Claim, 1 Drawing Sheet



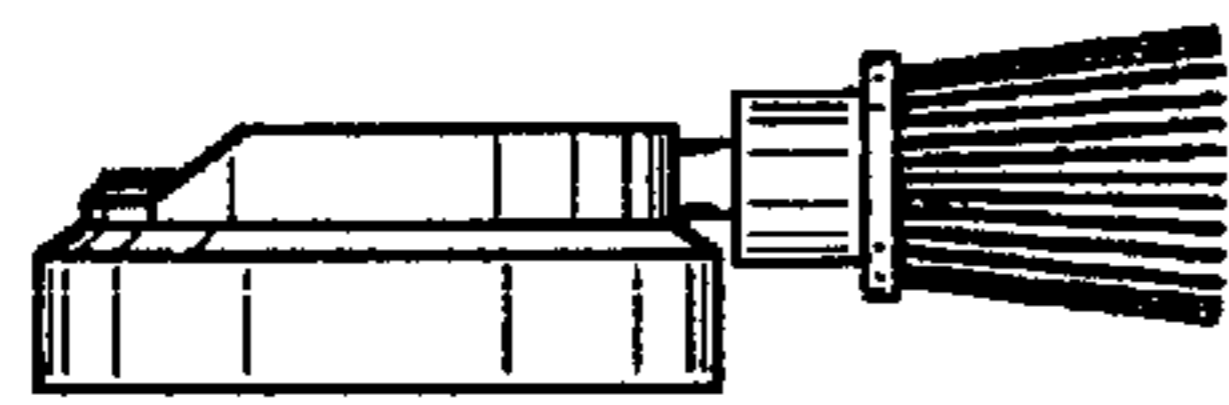


FIG. 1

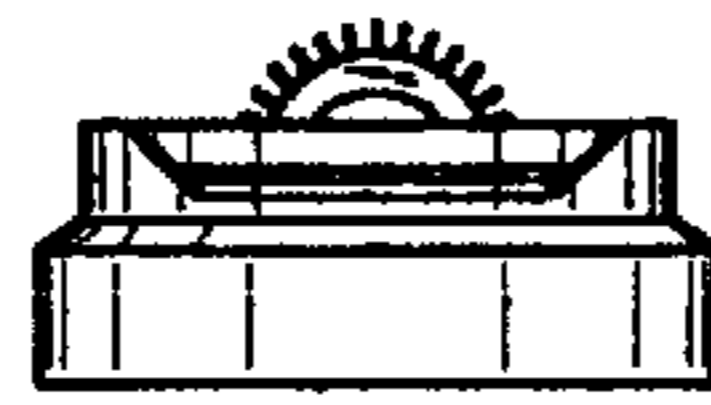


FIG. 2

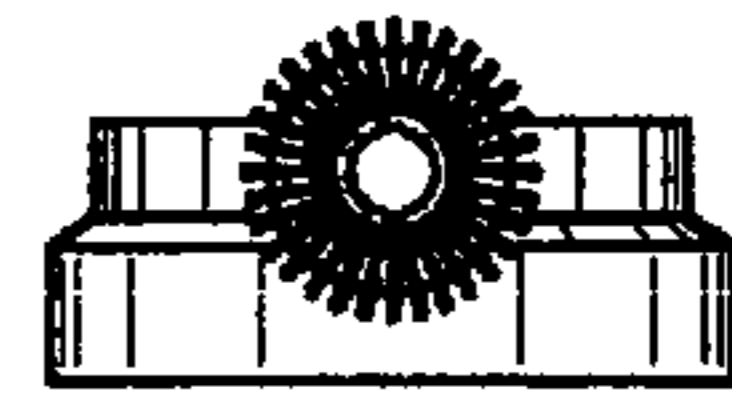


FIG. 3

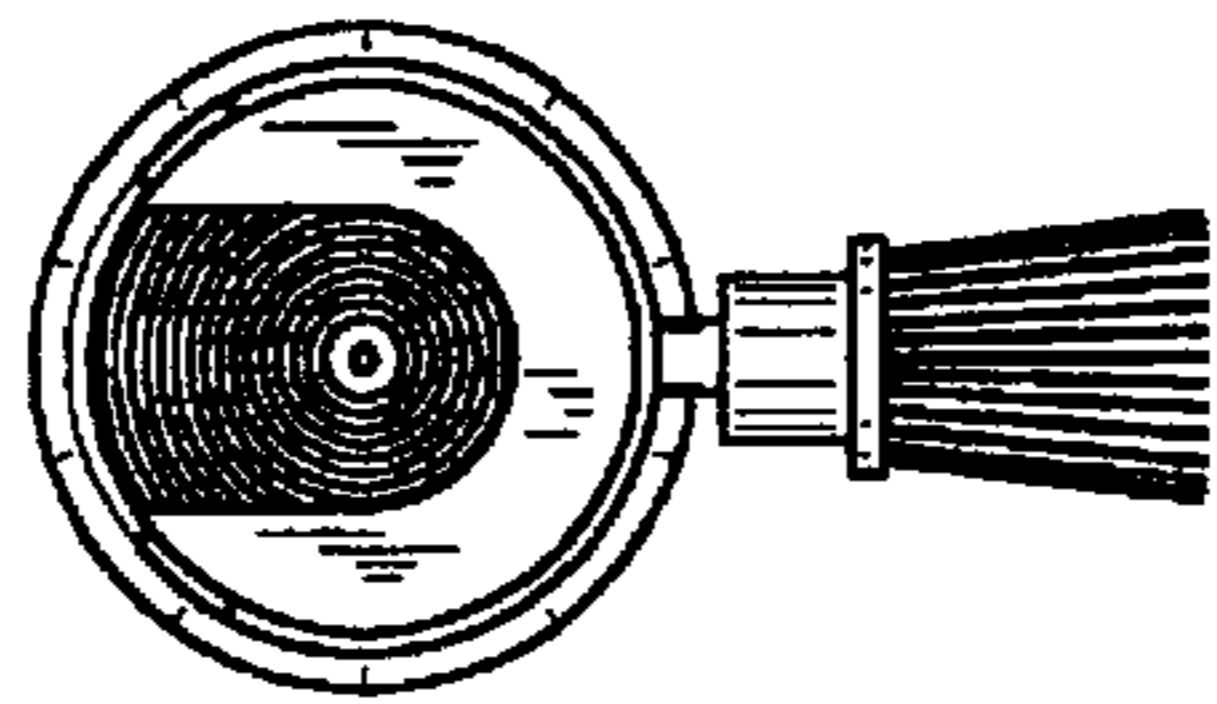


FIG. 4

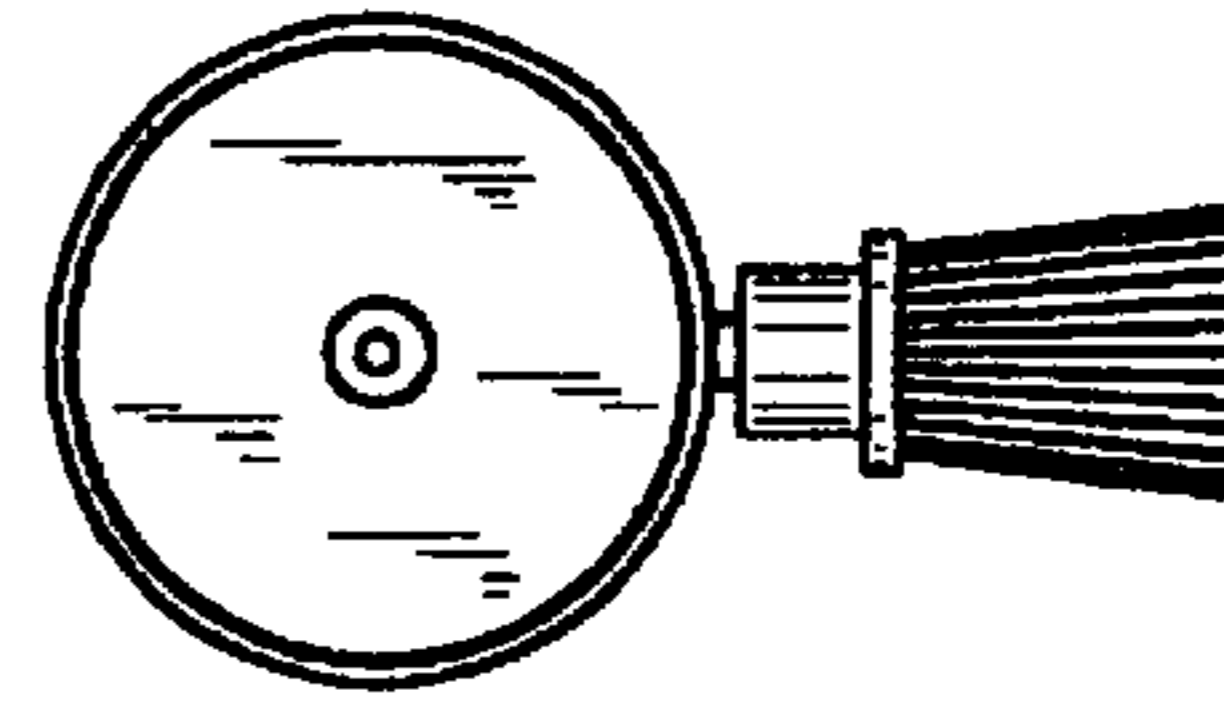


FIG. 5

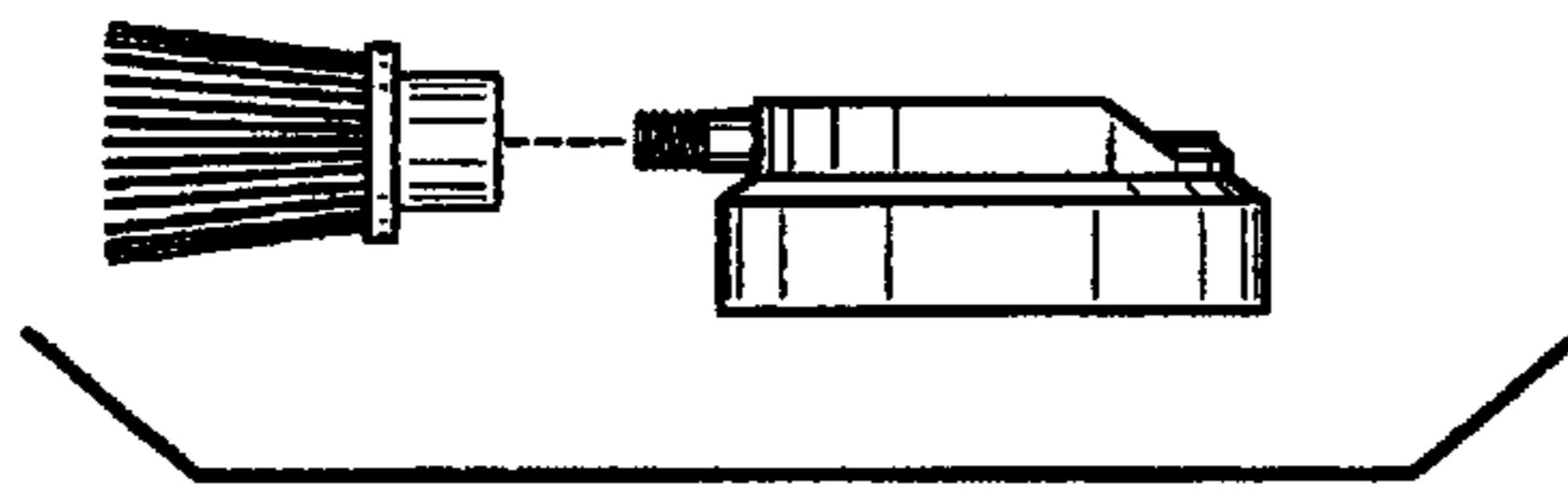


FIG. 6