



US00D533718S

(12) **United States Design Patent**
Goldberg

(10) **Patent No.:** **US D533,718 S**

(45) **Date of Patent:** **** Dec. 19, 2006**

(54) **PRESENTATION STYLE SLIDER/DRAWER PACKAGE**

(76) Inventor: **Leslie H. Goldberg**, 96 Lord Seaton Road, Toronto, Ontario (CA), M2P 1K5

(**) Term: **14 Years**

(21) Appl. No.: **29/217,215**

(22) Filed: **Nov. 16, 2004**

(30) **Foreign Application Priority Data**

Aug. 25, 2004 (CA) 108170

(51) **LOC (8) Cl.** **03-01**

(52) **U.S. Cl.** **D3/303**

(58) **Field of Classification Search** D3/299,
D3/301, 215, 227, 226, 245, 247, 218, 273,
D3/201, 303; 224/240, 245; D9/414, 420,
D9/423, 499; 150/131; 206/372; D19/26

See application file for complete search history.

(56) **References Cited**

U.S. PATENT DOCUMENTS

D317,675 S * 6/1991 Shipp et al. D3/247
D379,198 S * 5/1997 Dowda D19/3
D387,976 S * 12/1997 Mori D6/634
D388,951 S * 1/1998 Mori D3/201
D417,974 S * 12/1999 Mori D6/407
D421,457 S * 3/2000 Crofton D19/2

D424,787 S * 5/2000 Hinton et al. D2/857
D426,057 S * 6/2000 Velazquez D3/225
D434,319 S * 11/2000 Mori D9/423
D463,975 S * 10/2002 Sipinen D9/733

* cited by examiner

Primary Examiner—Robert A. Delehanty

Assistant Examiner—Kathleen Sims

(74) *Attorney, Agent, or Firm*—Sim & McBurney

(57) **CLAIM**

The ornamental design for a presentation style slider/drawer package, as shown.

DESCRIPTION

FIG. 1 is a perspective view of the presentation style slider/drawer package;

FIG. 2 is a top view of the presentation style slider/drawer package of FIG. 1;

FIG. 3 is a bottom view of the presentation style slider/drawer package of FIG. 1;

FIG. 4 is a side view of the presentation style slider/drawer package of FIG. 1;

FIG. 5 is a front end view of the presentation style slider/drawer package of FIG. 1; and,

FIG. 6 is a back end view of the presentation style slider/drawer package of FIG. 1.

The broken line showing is for illustrative purposes only and forms no part of the claimed design.

1 Claim, 4 Drawing Sheets

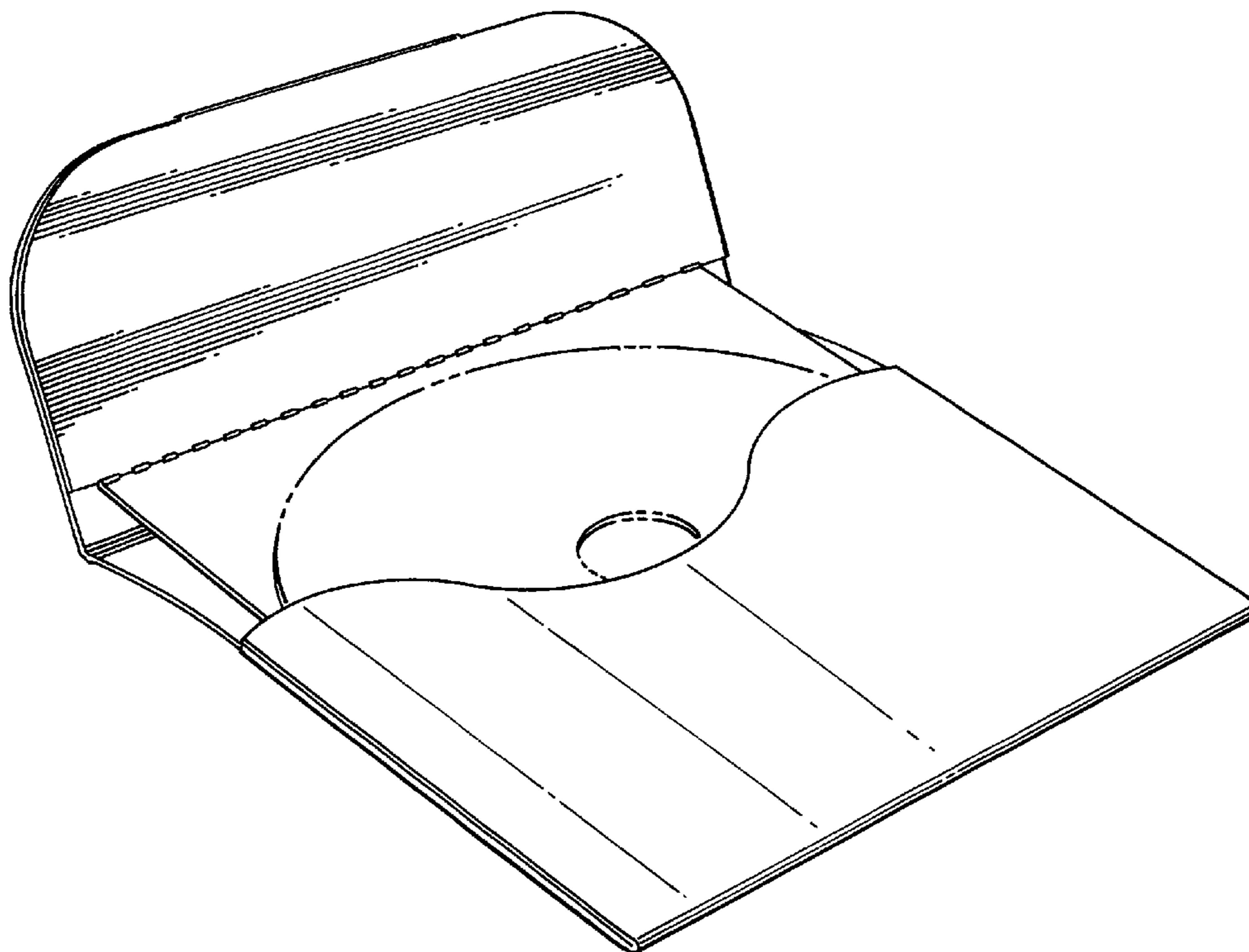


FIG.1.

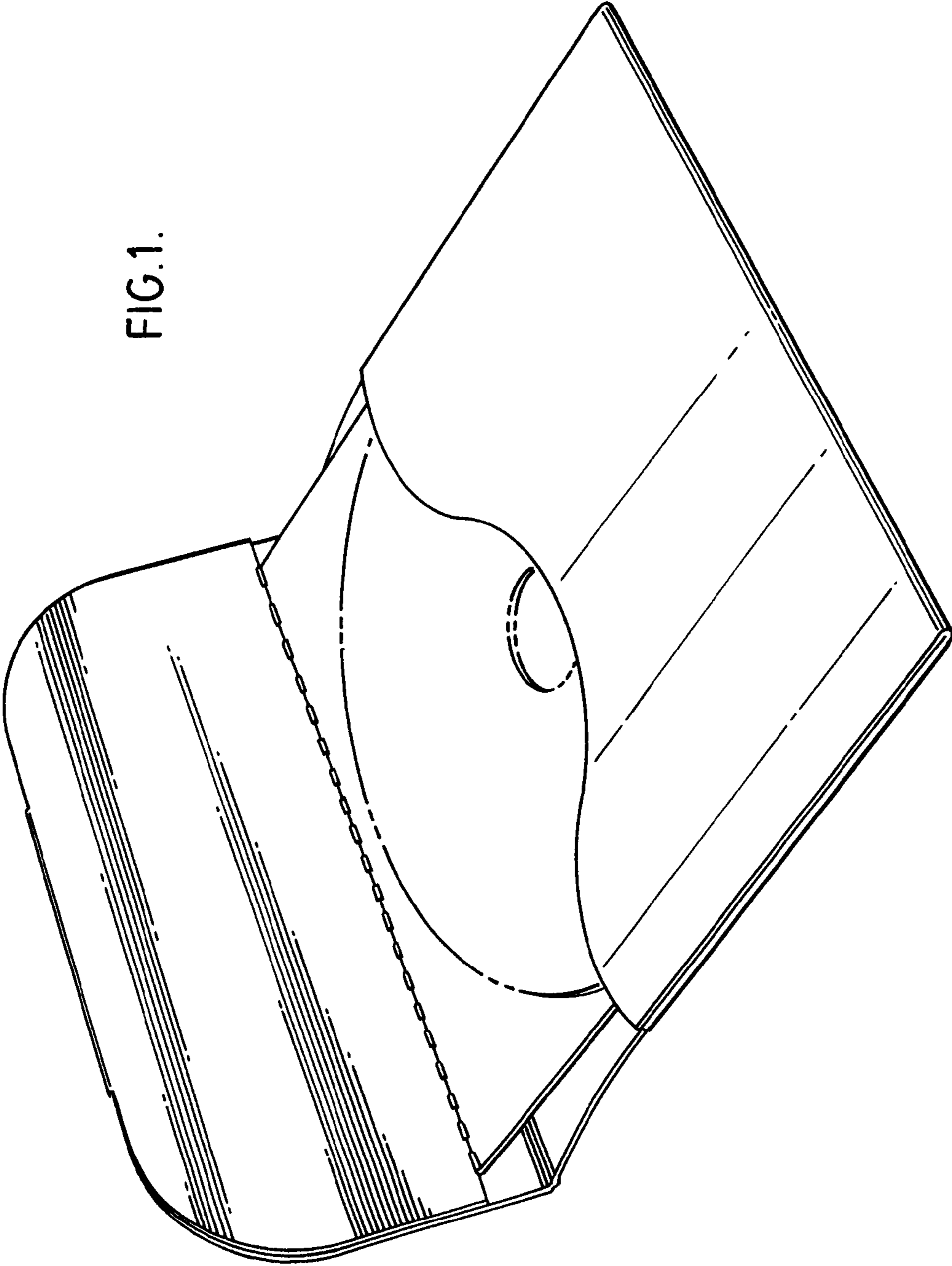


FIG. 2.

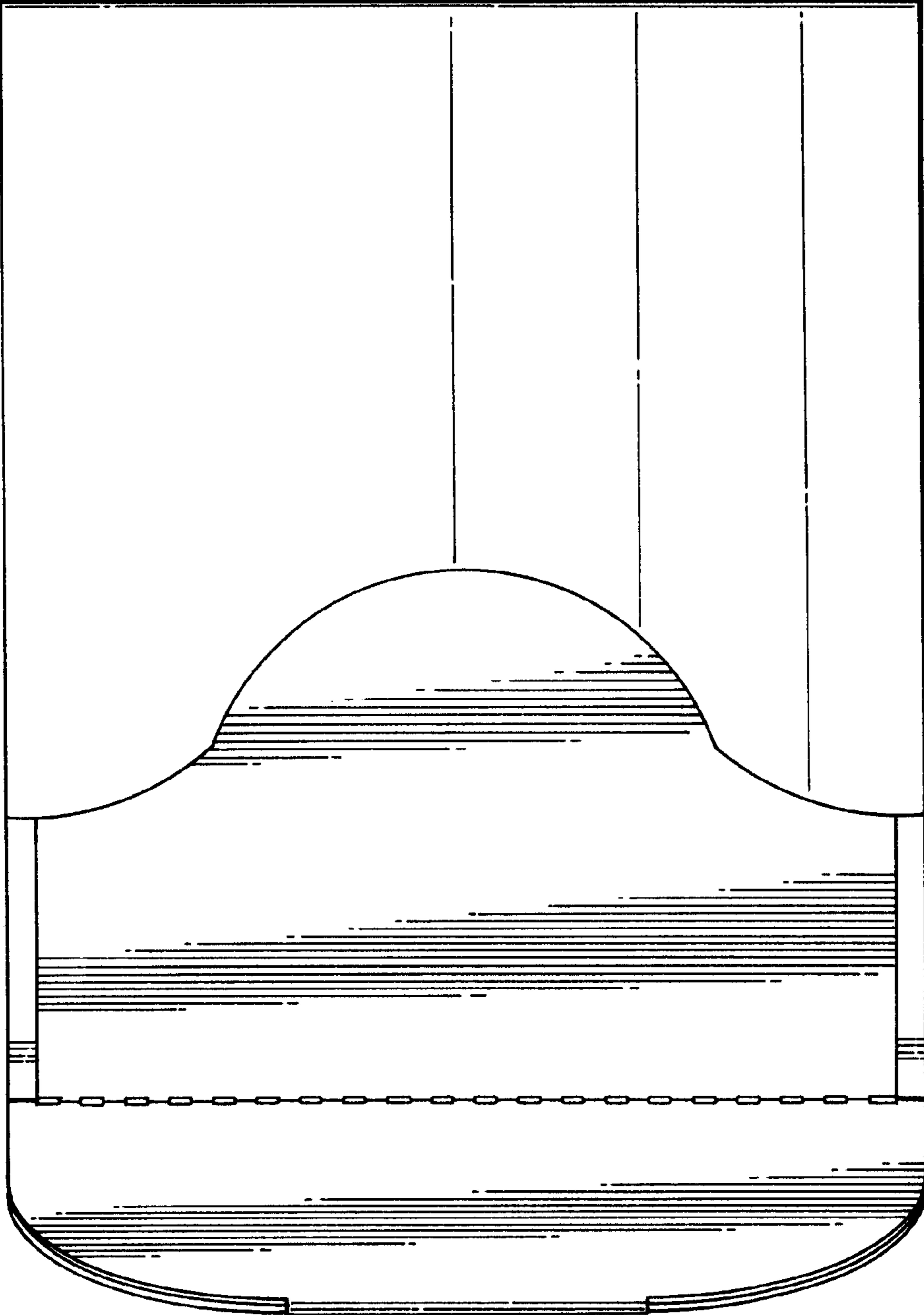
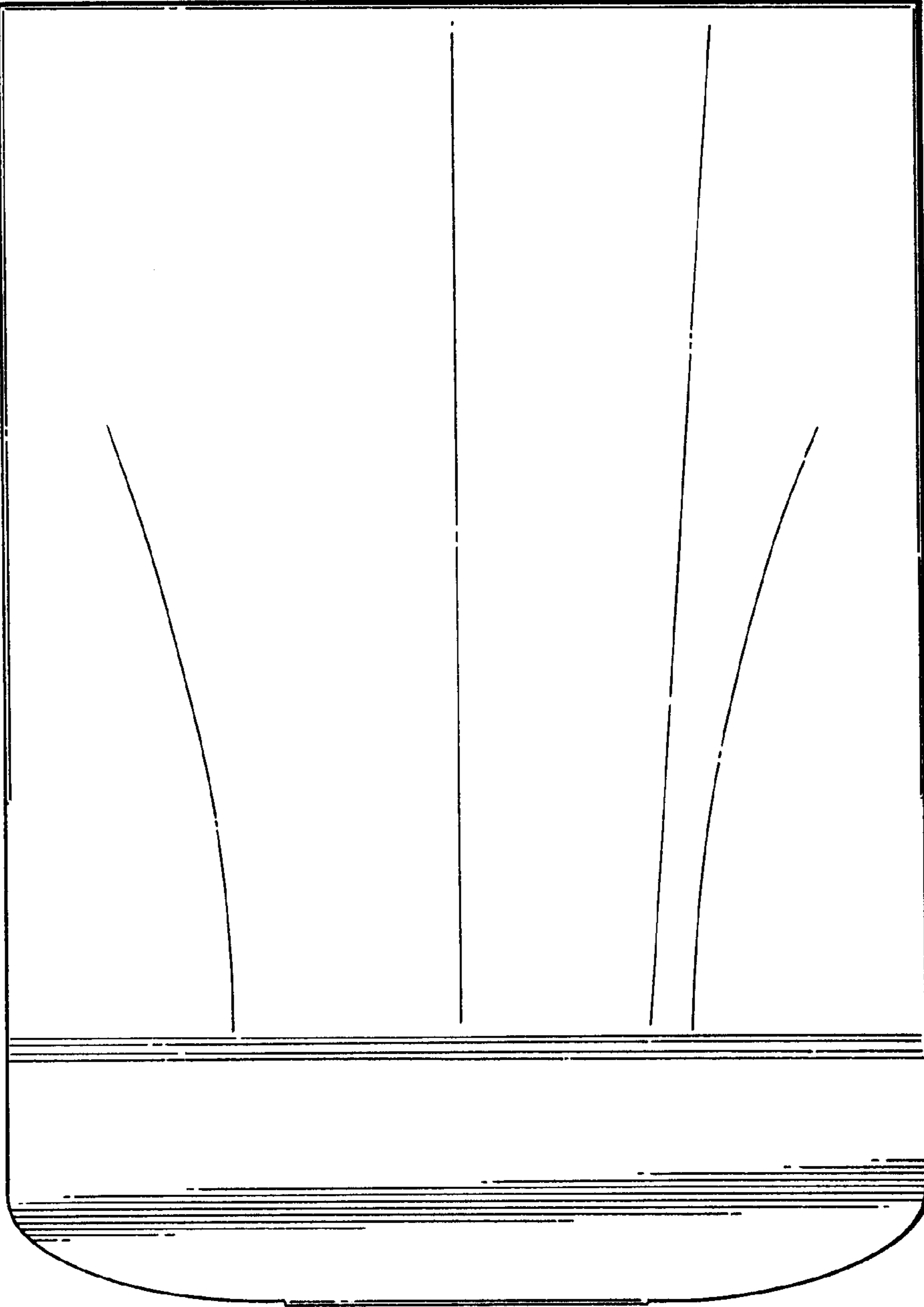


FIG. 3.



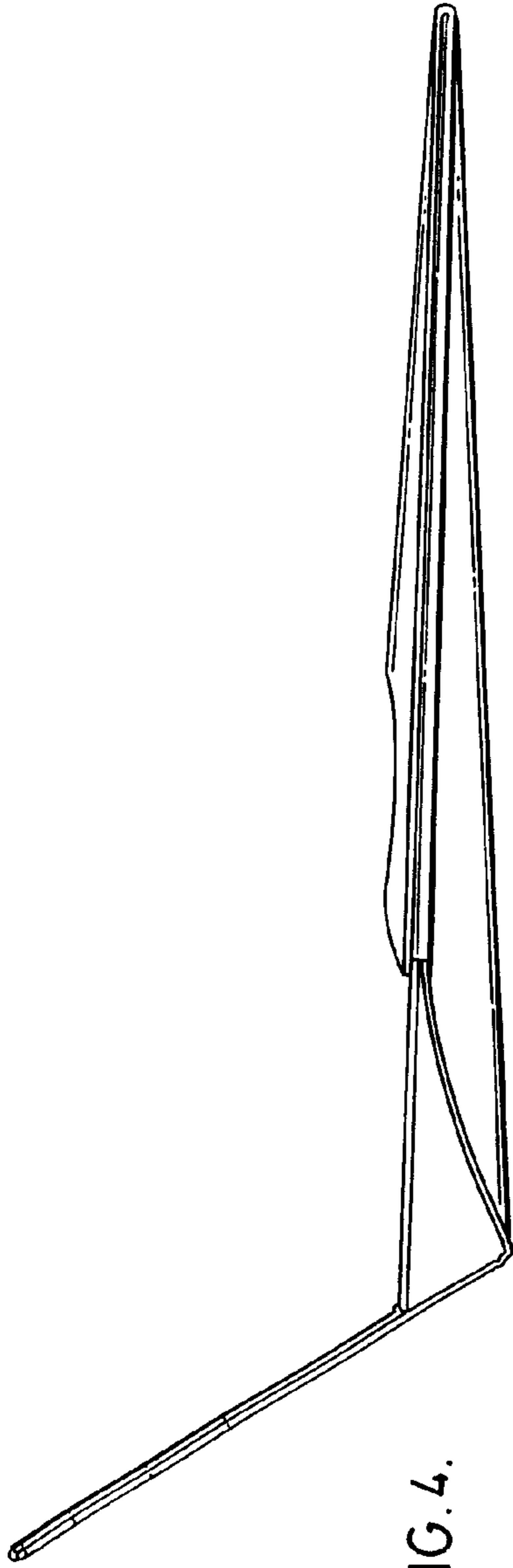


FIG. 4.

FIG. 5.

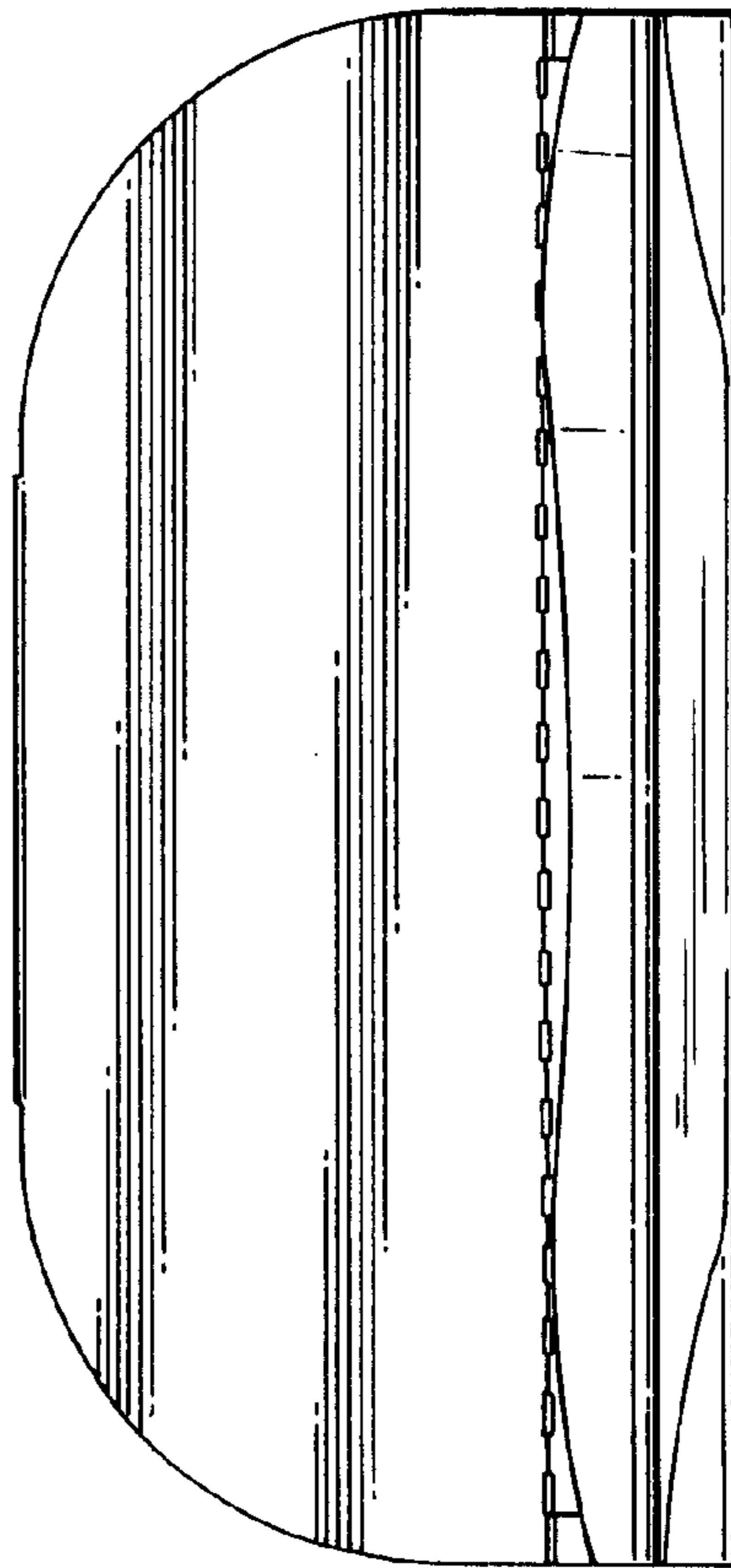


FIG. 6.

