



US00D533717S

(12) **United States Design Patent**  
**Nguy et al.**

(10) **Patent No.: US D533,717 S**

(45) **Date of Patent: \*\* Dec. 19, 2006**

- (54) **STACKABLE STORAGE BOX**
- (75) Inventors: **Chanwa Nguy**, Cornelius, NC (US);  
**Pei-Ying Lin**, Taichung Hsien (TW)
- (73) Assignee: **Steelworks Hardware, LLC**,  
Northfield, IL (US)
- (\*\*) Term: **14 Years**
- (21) Appl. No.: **29/241,522**
- (22) Filed: **Oct. 26, 2005**
- (51) **LOC (8) Cl.** ..... **03-01**
- (52) **U.S. Cl.** ..... **D3/298; D3/905**
- (58) **Field of Classification Search** ..... D3/273,  
D3/281, 282, 284, 294, 298, 905; 312/902;  
206/349, 372, 373; D7/609; 220/213, 252,  
220/812

See application file for complete search history.

(56) **References Cited**

**U.S. PATENT DOCUMENTS**

- D166,225 S \* 3/1952 Popeil ..... D7/609
- D349,240 S \* 8/1994 Booten ..... D9/422
- D365,206 S \* 12/1995 Goodman ..... D3/273
- D372,399 S \* 8/1996 Wang ..... D7/609
- D378,873 S \* 4/1997 Gregerson et al. .... D3/273
- D403,176 S \* 12/1998 Harper ..... D6/440

- 5,934,010 A \* 8/1999 Blackburn ..... 43/57.1
- D418,297 S \* 1/2000 Budert ..... D3/295
- D428,775 S \* 8/2000 Chen ..... D7/609
- D461,637 S \* 8/2002 Kaplan ..... D3/290
- D506,611 S \* 6/2005 Hiller et al. .... D3/294

\* cited by examiner

*Primary Examiner*—Philip S. Hyder

(74) *Attorney, Agent, or Firm*—Levenfeld Pearlstein, LLC

(57) **CLAIM**

The ornamental design for stackable storage box, as shown and described.

**DESCRIPTION**

FIG. 1 is a top front perspective view of a stackable storage box showing our new design;  
 FIG. 2 is a bottom plan view thereof;  
 FIG. 3 is a front elevational view thereof;  
 FIG. 4 is a left side elevational view thereof;  
 FIG. 5 is a right side elevational view thereof, further illustrating a protruding flange.  
 FIG. 6 is a rear elevational view thereof;  
 FIG. 7 is a top plan view thereof;  
 FIG. 8 is a top plan view thereof, showing the stackable storage box in an open condition; and,  
 FIG. 9 is a perspective view of the stackable storage box in a further open condition.

**1 Claim, 6 Drawing Sheets**

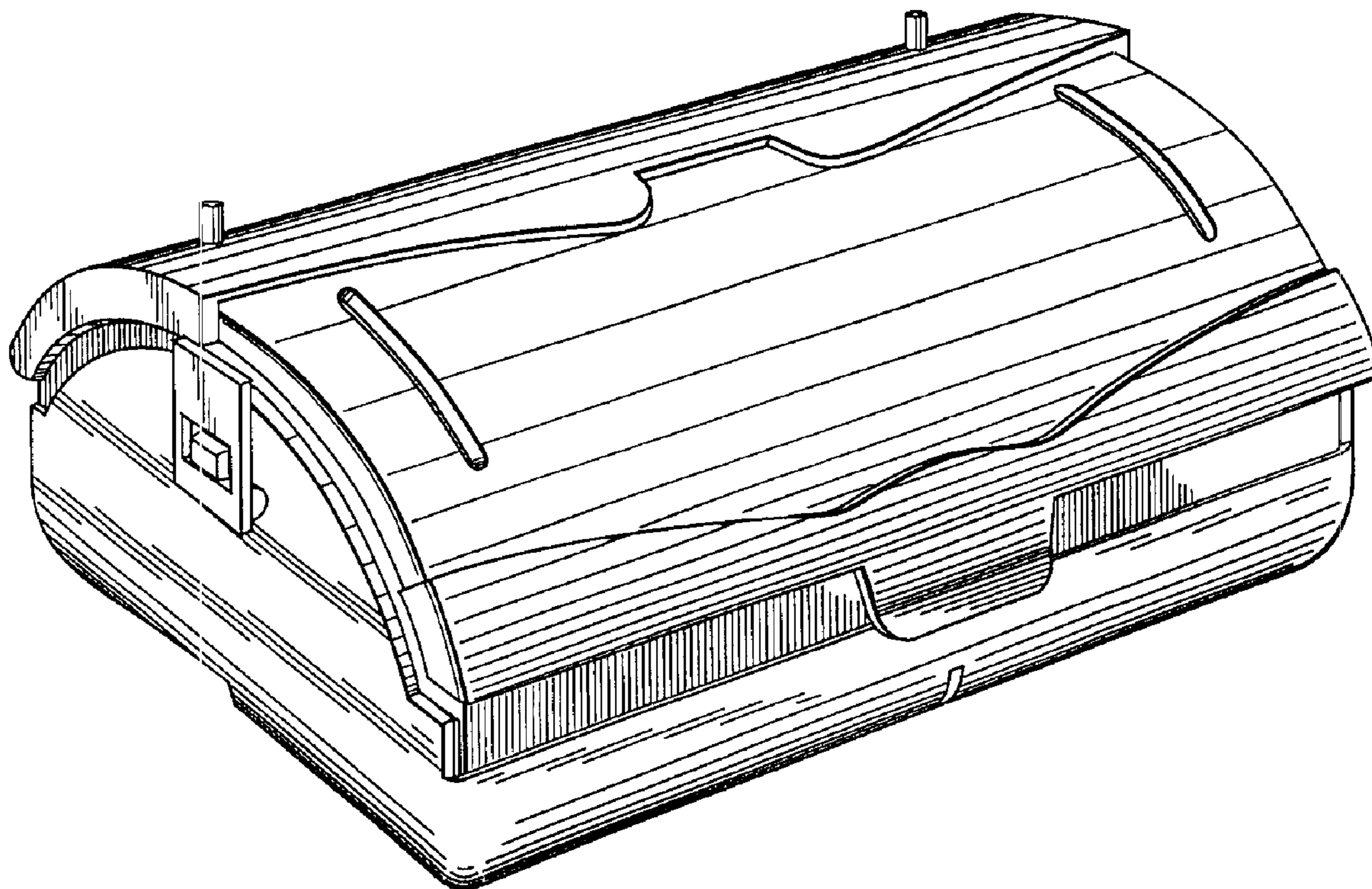


Fig. 1

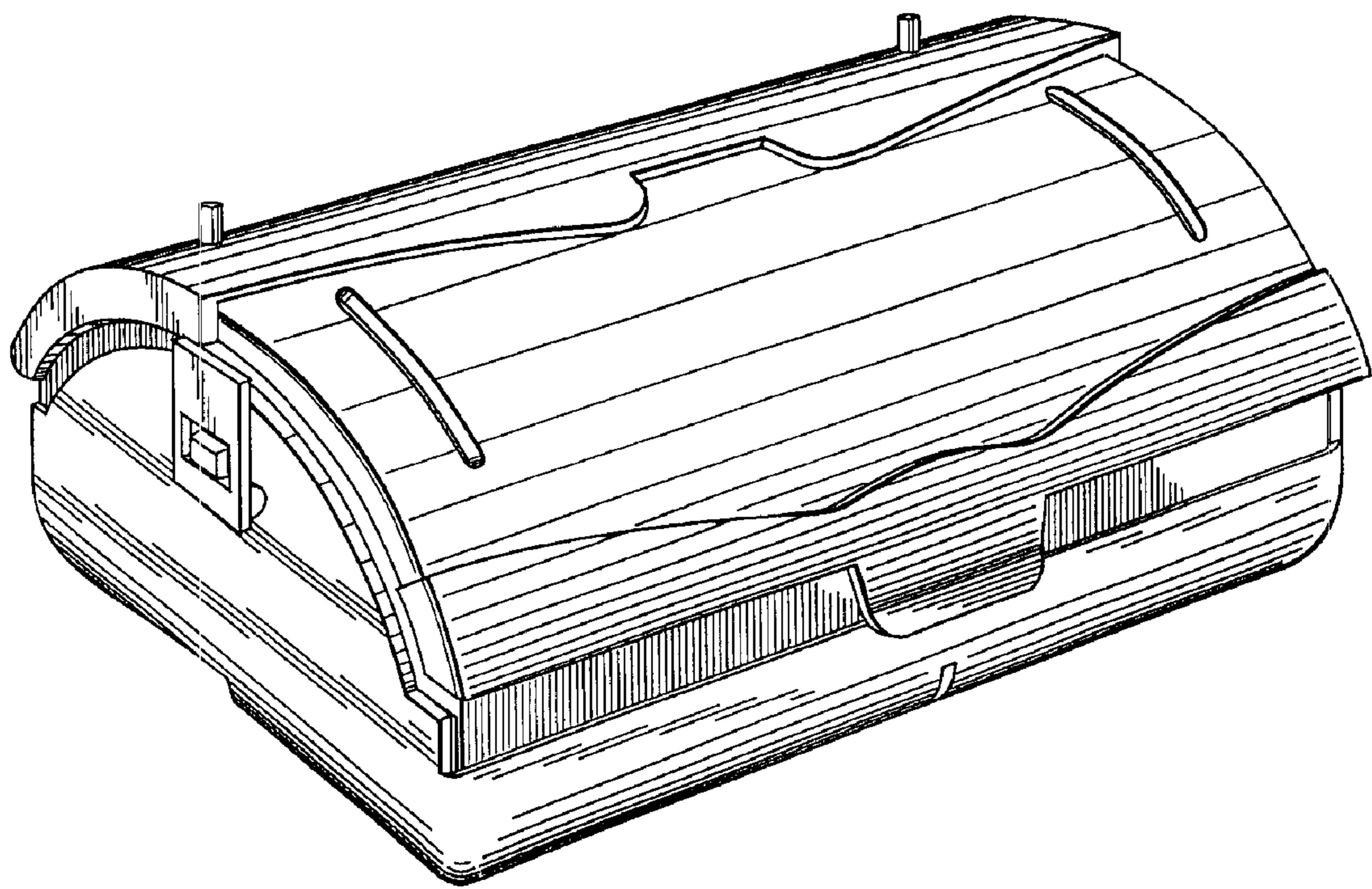


Fig. 2

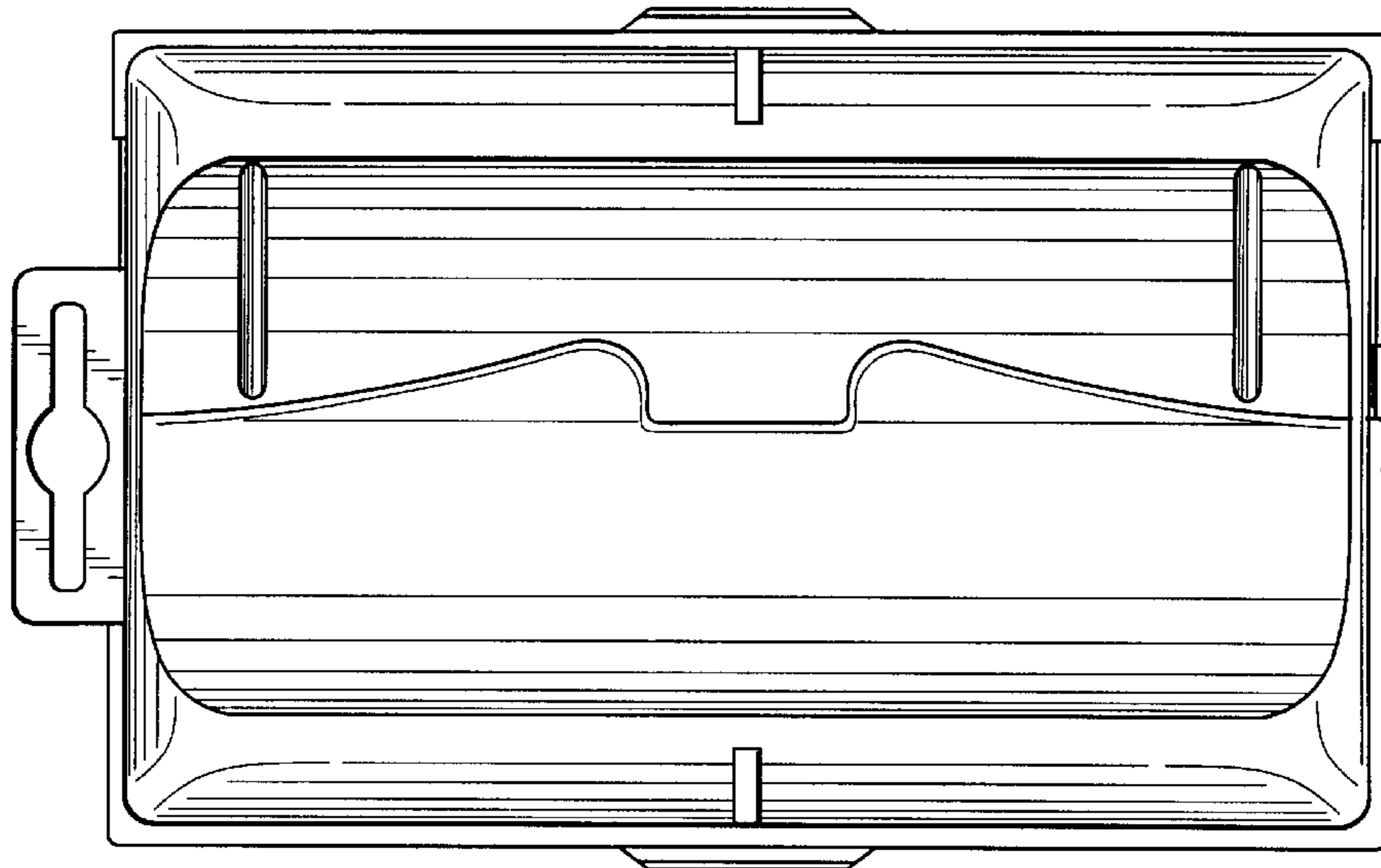


Fig. 3

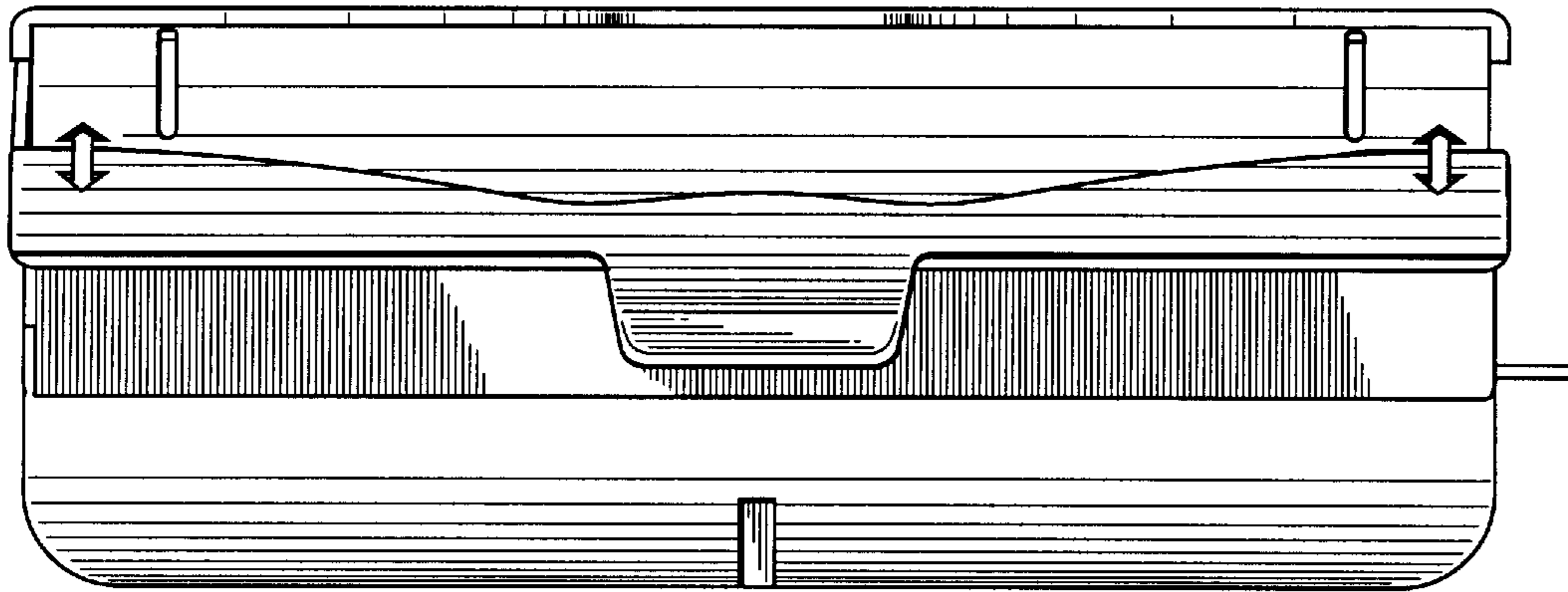


Fig. 4

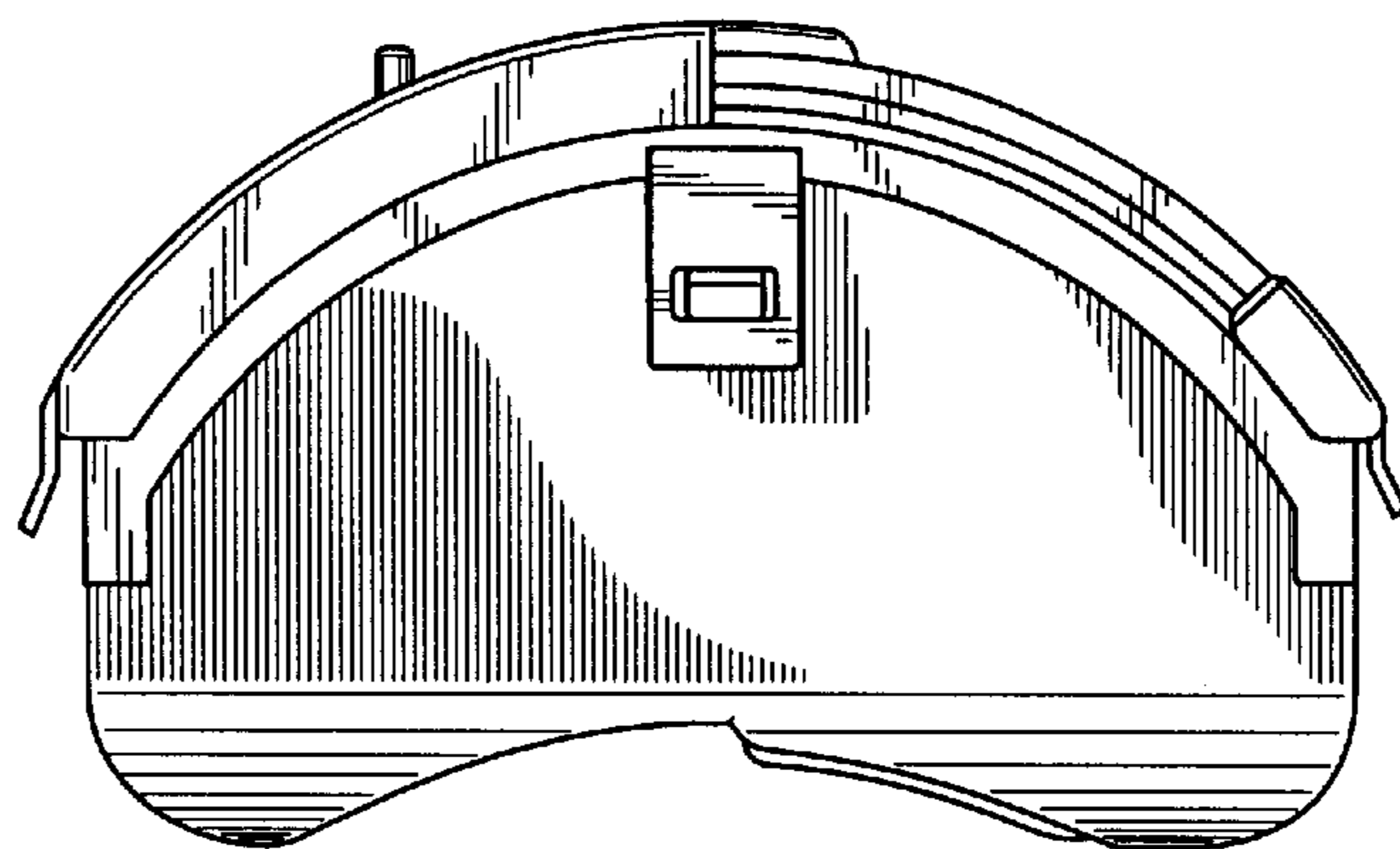


Fig. 5

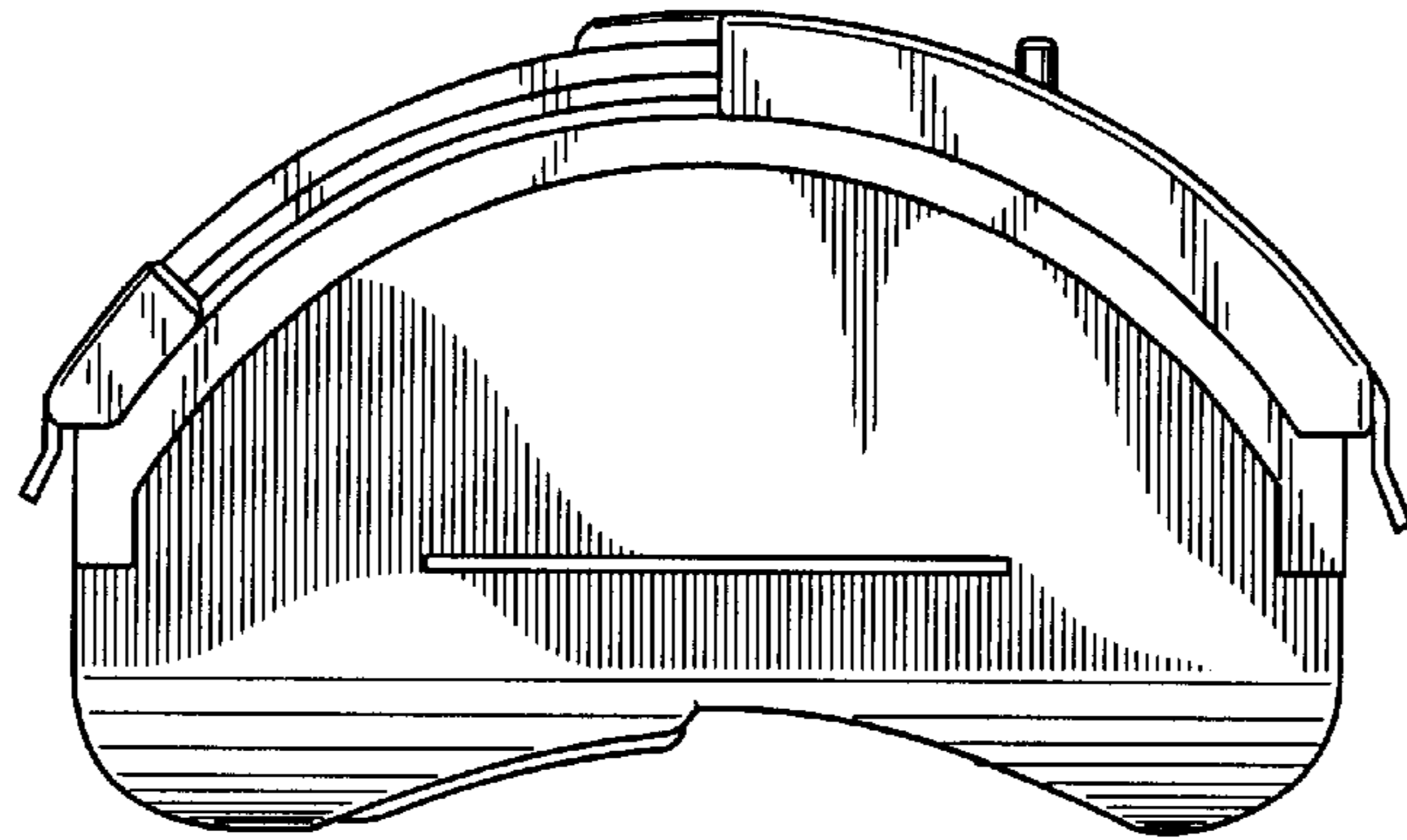


Fig. 6

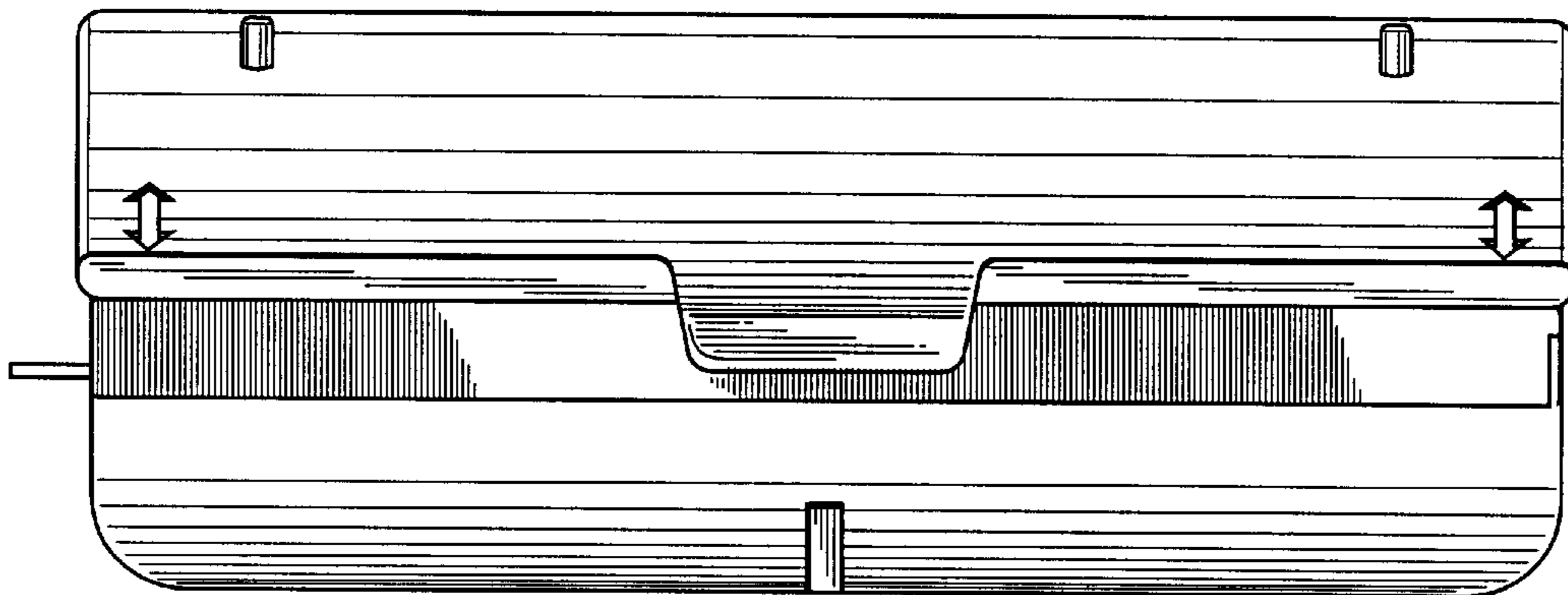


Fig. 7

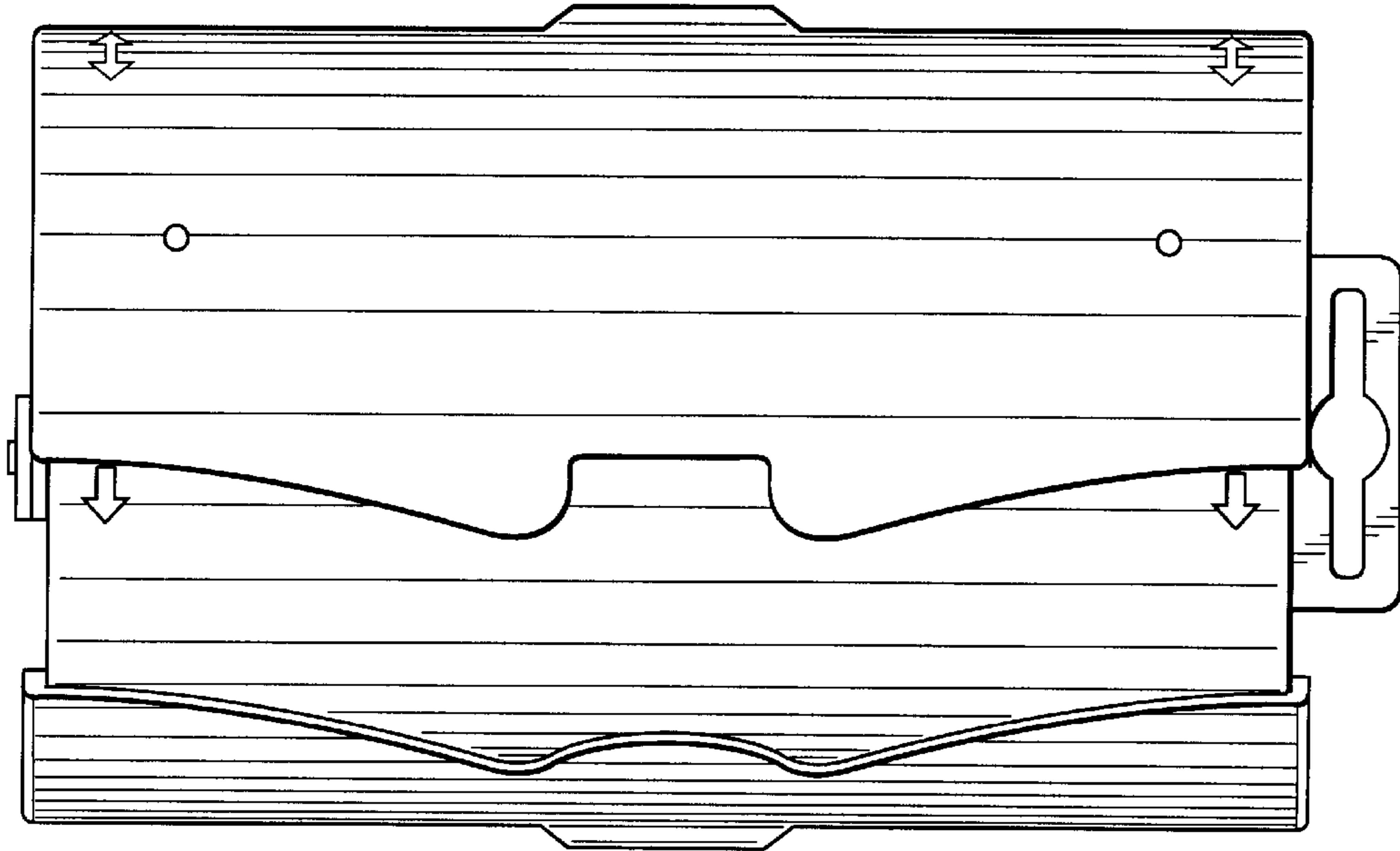


Fig. 8

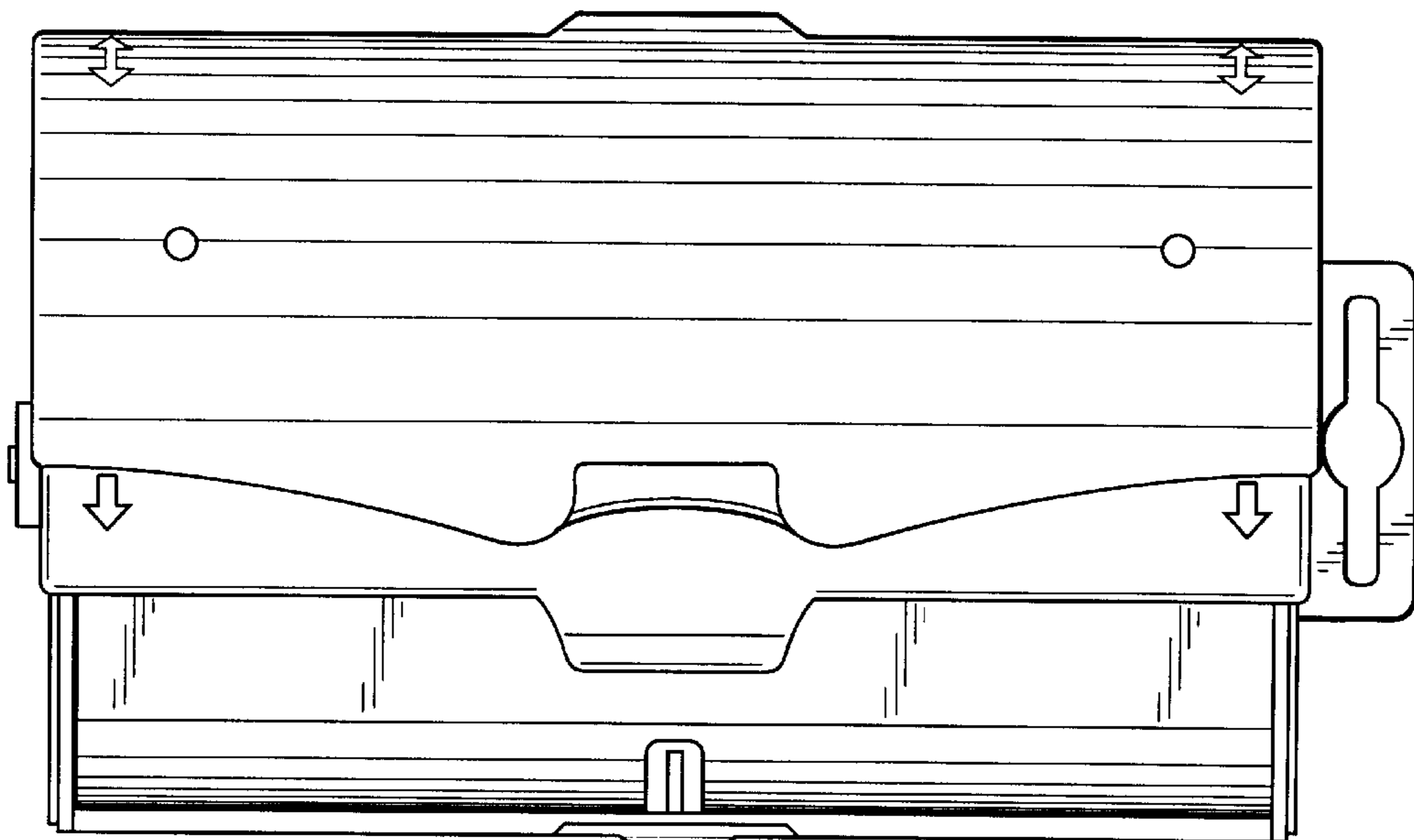


Fig. 9

