



US00D533715S

(12) **United States Design Patent**  
**Conway**

(10) **Patent No.:** **US D533,715 S**

(45) **Date of Patent:** **\*\* Dec. 19, 2006**

(54) **CASE**

(76) **Inventor:** **Gary Roy Conway**, 2 The Courtyard,  
Cobham Park, Downside Road,  
Cobham, Surrey (GB), KT11 3LD

(\*\*) **Term:** **14 Years**

(21) **Appl. No.:** **29/252,826**

(22) **Filed:** **Jan. 27, 2006**

(51) **LOC (8) Cl.** ..... **03-01**

(52) **U.S. Cl.** ..... **D3/206**

(58) **Field of Classification Search** ..... D3/201,  
D3/203, 205, 206, 265, 300; D19/35, 75,  
D19/81, 82, 85; 24/10 R; 211/65, 69, 69.1,  
211/69.8, 69.9; 206/37, 38, 214, 371, 5, 216,  
206/380, 381; 281/30

See application file for complete search history.

(56) **References Cited**

**U.S. PATENT DOCUMENTS**

2,262,472 A \* 11/1941 Sloan ..... 206/214

D164,587 S \* 9/1951 Marks ..... D3/265  
D236,462 S \* 8/1975 Malberg ..... D19/35  
D251,952 S \* 5/1979 Washburn ..... D3/300  
D397,547 S \* 9/1998 Goodwin et al. .... D3/206  
6,814,226 B1 \* 11/2004 Chao ..... 206/5

\* cited by examiner

*Primary Examiner*—Louis S. Zarfes

*Assistant Examiner*—Monica A. Weingart

(74) *Attorney, Agent, or Firm*—Faegre & Benson LLP

(57) **CLAIM**

The ornamental design for case, as shown.

**DESCRIPTION**

FIG. 1 is a front view.

FIG. 2 is a rear view.

FIG. 3 is a left side view.

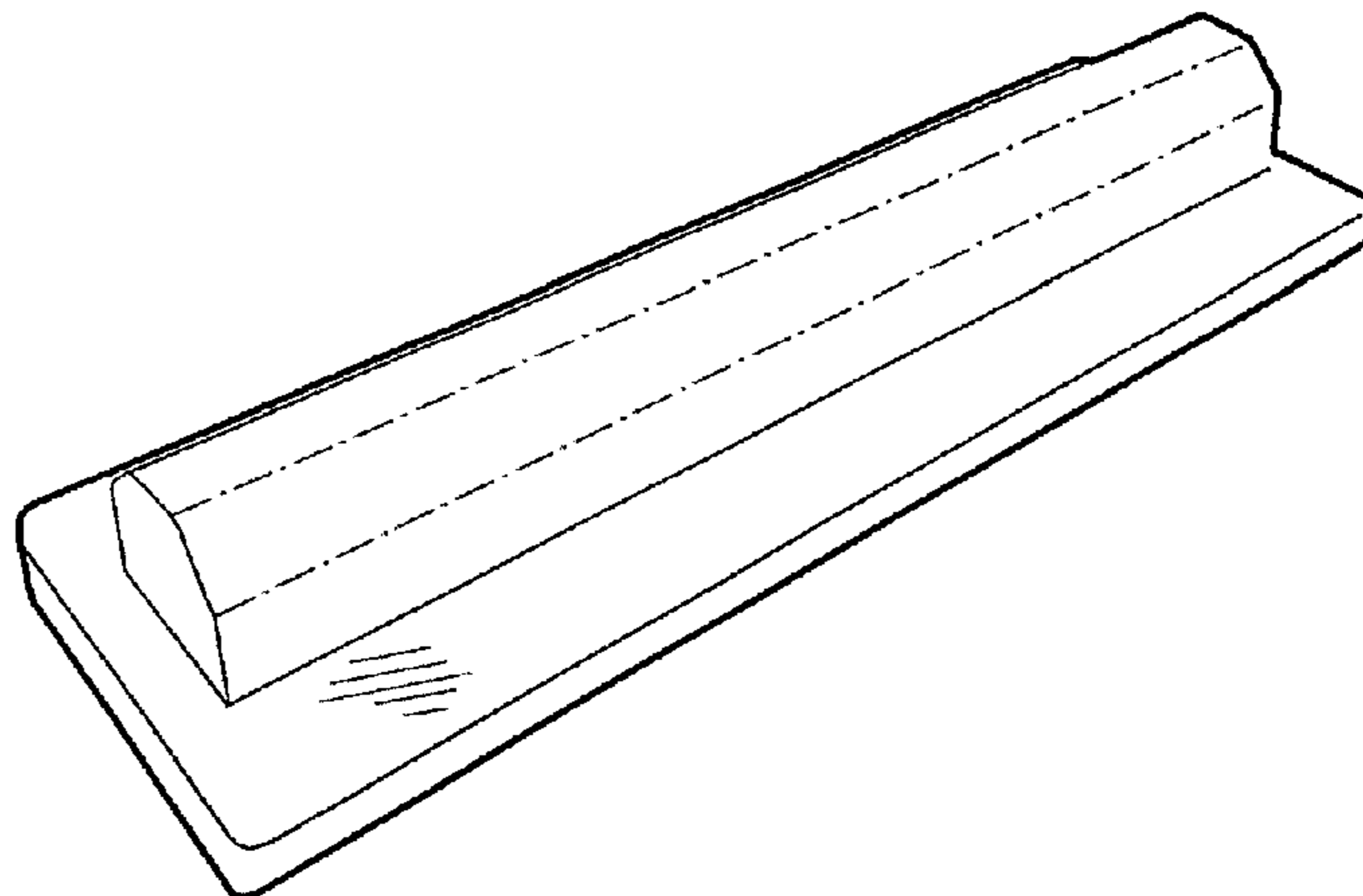
FIG. 4 is a right side view.

FIG. 5 is a top view.

FIG. 6 is a bottom view; and,

FIG. 7 is a perspective view.

**1 Claim, 3 Drawing Sheets**



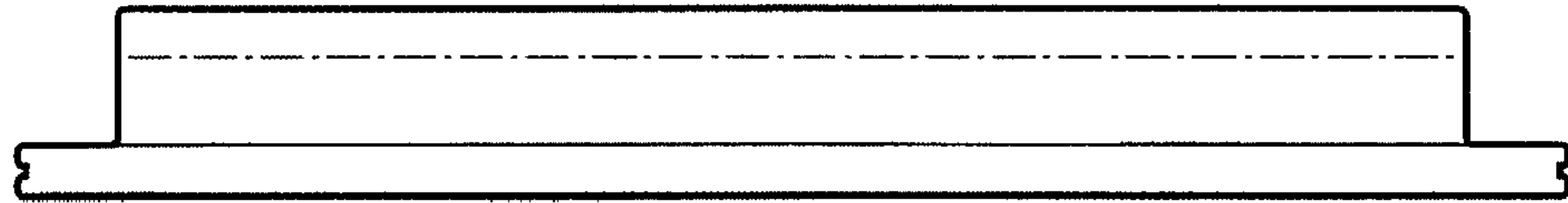


FIG. 1

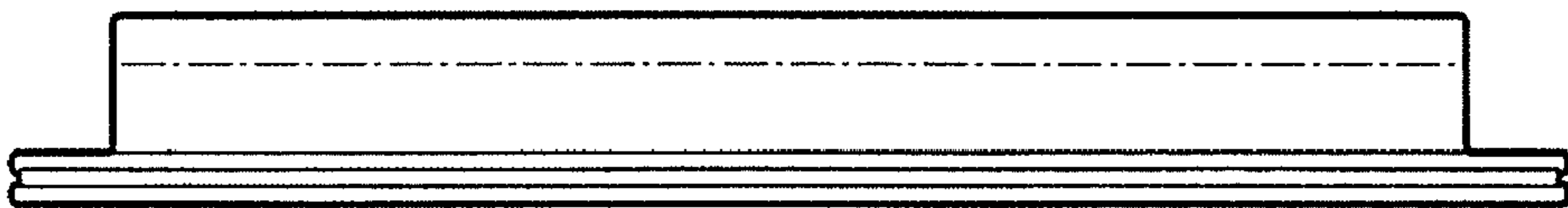


FIG. 2

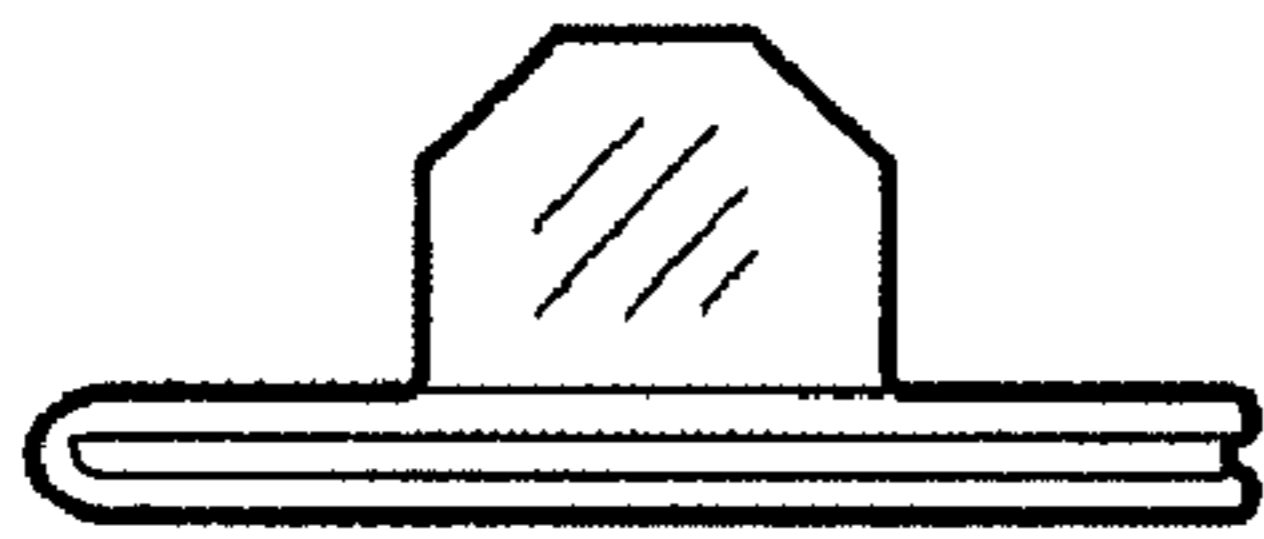


FIG. 3



FIG. 4

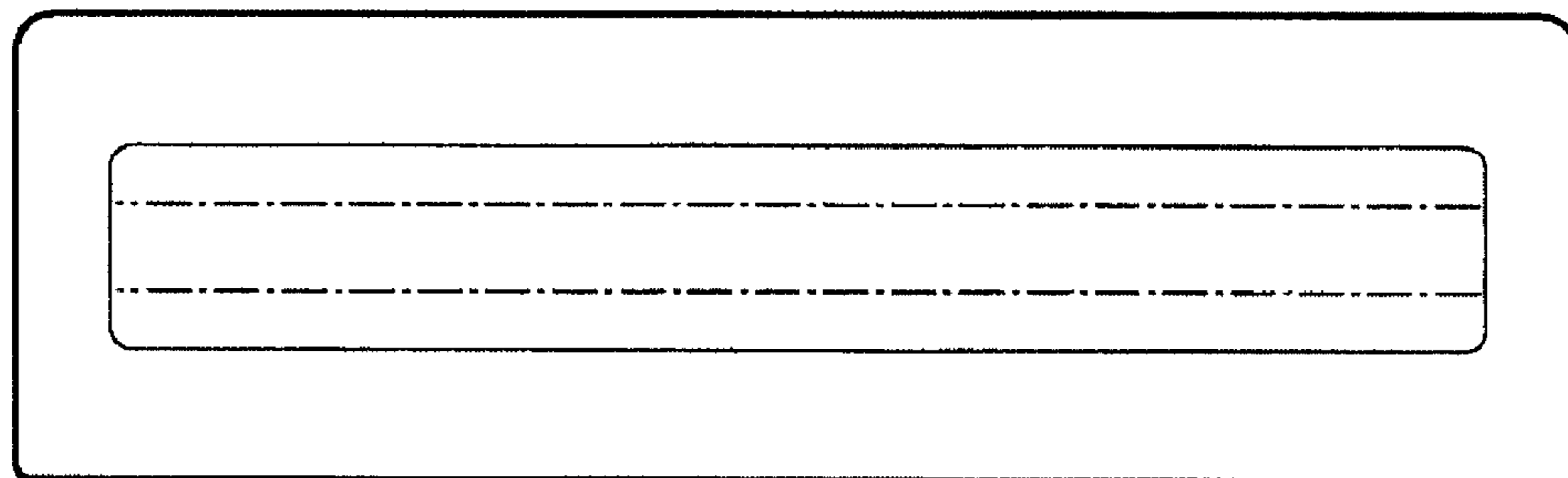


FIG. 5

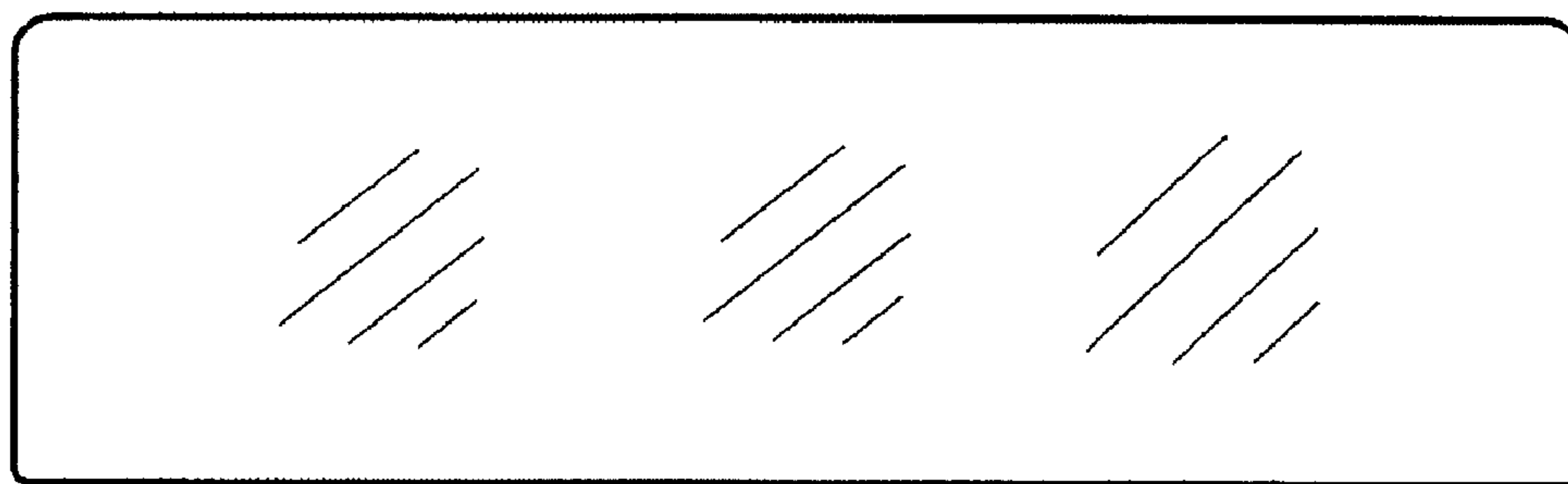


FIG. 6

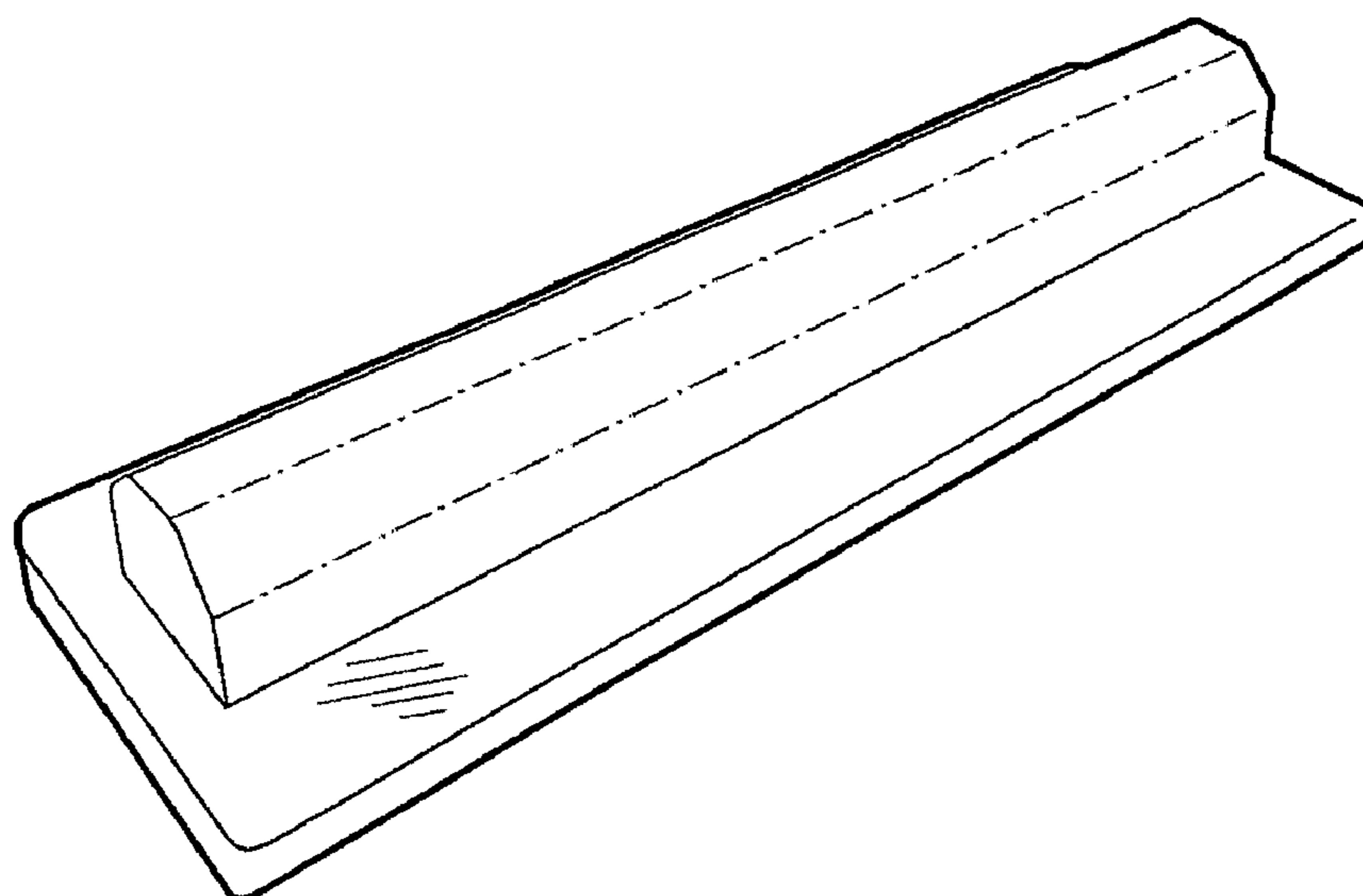


FIG. 7