



US00D533714S

(12) **United States Design Patent**  
**Stewart**

(10) **Patent No.:** **US D533,714 S**

(45) **Date of Patent:** **\*\* Dec. 19, 2006**

(54) **REFRESHMENT COMPARTMENT KIT**

5,441,153 A \* 8/1995 Lahaye ..... 206/581  
D398,648 S \* 9/1998 Matthews ..... D19/75  
6,016,916 A \* 1/2000 Ortner ..... 206/581

(76) Inventor: **Anassa Stewart**, 1434 Innes Ave., San Francisco, CA (US) 94124

\* cited by examiner

(\*\*) Term: **14 Years**

*Primary Examiner*—Louis S. Zarfaz

*Assistant Examiner*—Monica A. Weingart

(21) Appl. No.: **29/242,795**

(74) *Attorney, Agent, or Firm*—Squire, Sanders & Dempsey; Aaron Winger

(22) Filed: **Nov. 14, 2005**

(51) **LOC (8) Cl.** ..... **03-01**

(57) **CLAIM**

(52) **U.S. Cl.** ..... **D3/205**

The ornamental design for a refreshment compartment kit, as shown and described.

(58) **Field of Classification Search** ..... D3/201, D3/203, 205, 206, 224, 226, 228, 230, 232, D3/238, 247, 265, 266, 300, 303, 900, 901; D28/38, 73; 132/312, 314, 315; 150/118, 150/119; 206/380, 581; 383/6, 7, 10, 38; D19/75

See application file for complete search history.

**DESCRIPTION**

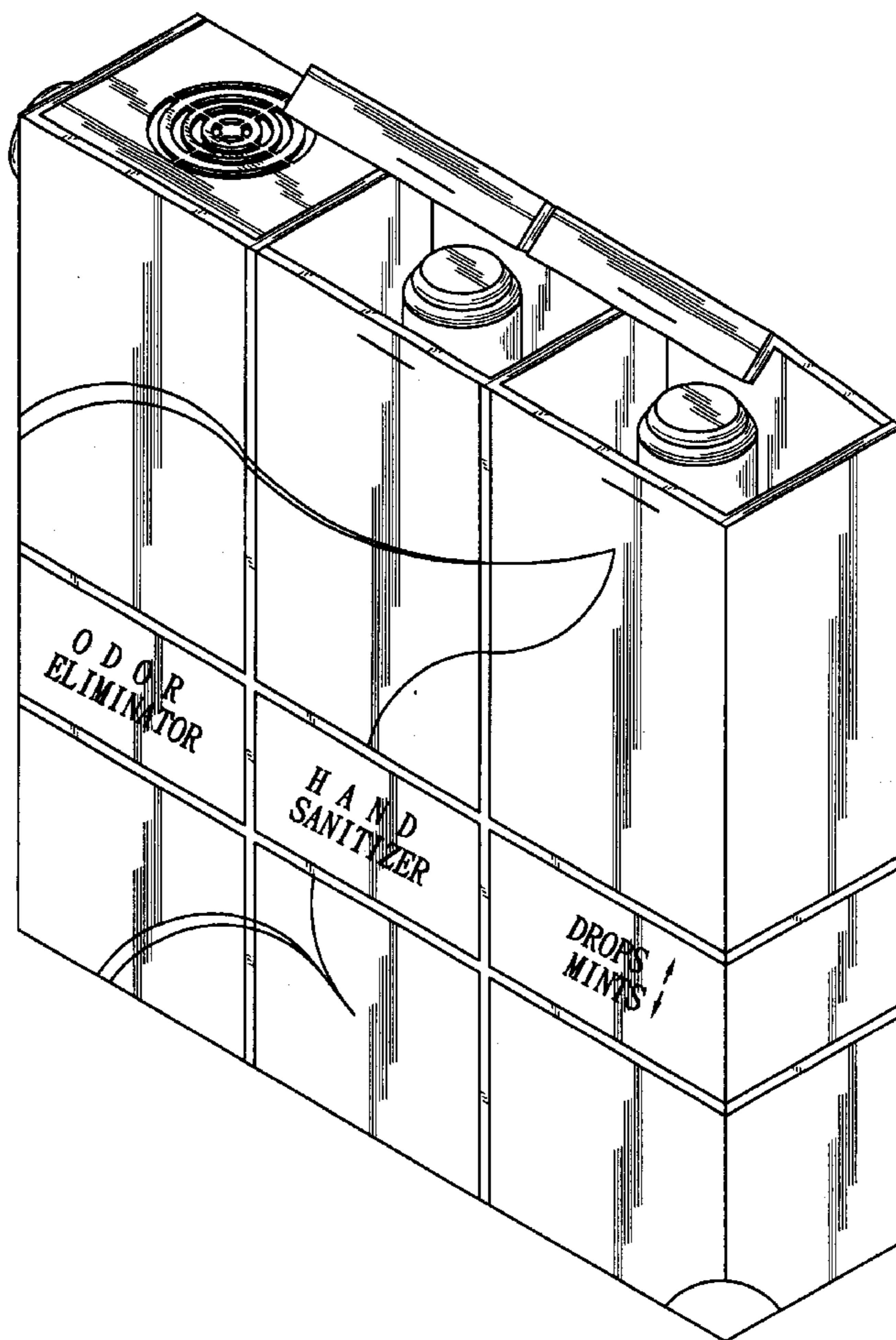
FIG. 1 is a perspective view of a refreshment compartment kit showing my new design;  
FIG. 2 is a front view thereof;  
FIG. 3 is a back view thereof;  
FIG. 4 is a right side elevational view thereof;  
FIG. 5 is a left side elevational view thereof;  
FIG. 6 is a top plan view thereof; and,  
FIG. 7 is a bottom plan view thereof.

(56) **References Cited**

**U.S. PATENT DOCUMENTS**

1,676,012 A \* 7/1928 Fascetta ..... 132/314  
2,411,196 A \* 11/1946 Dolan ..... 132/315  
5,358,101 A \* 10/1994 Lombardi ..... 206/581

**1 Claim, 7 Drawing Sheets**



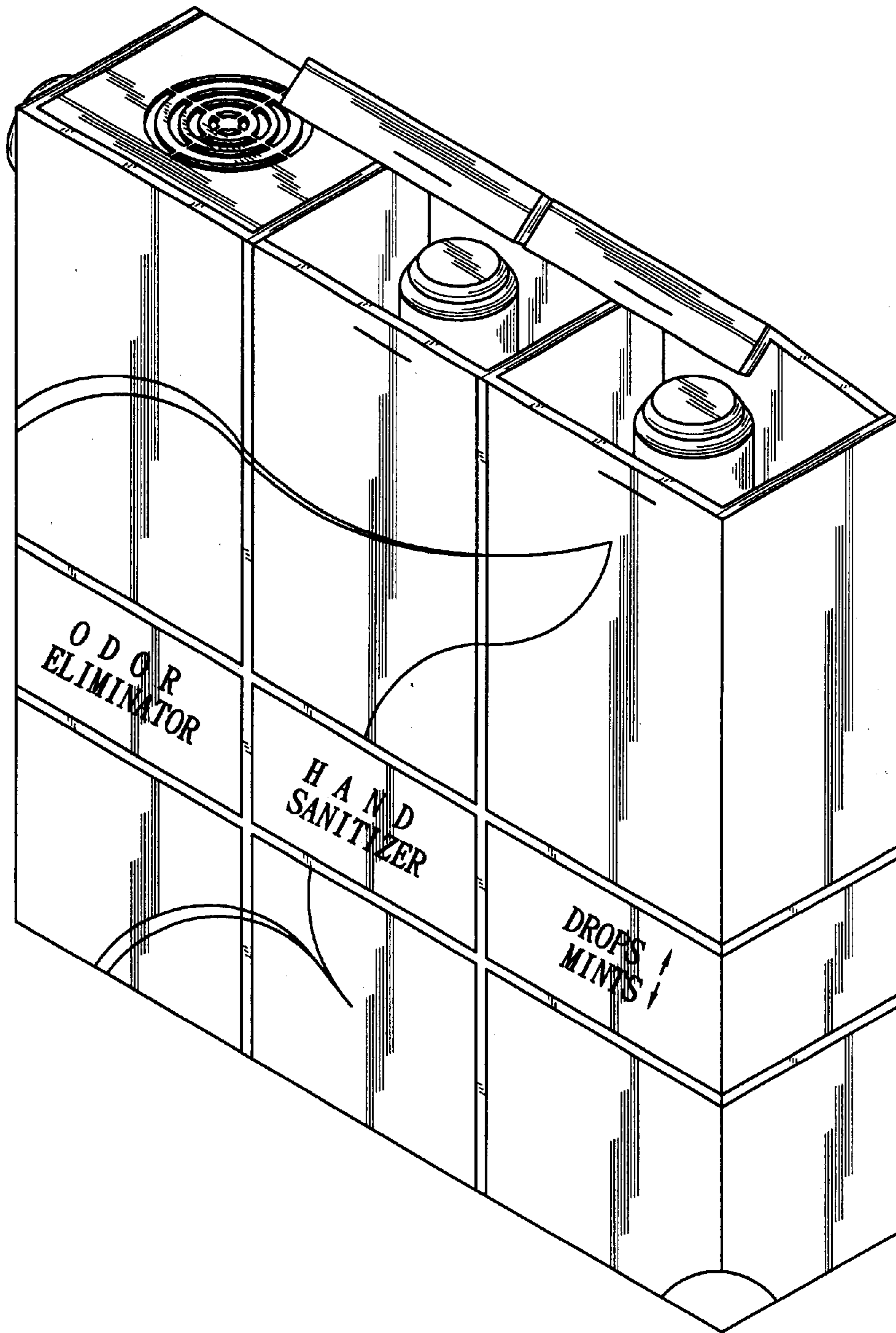


FIG. 1

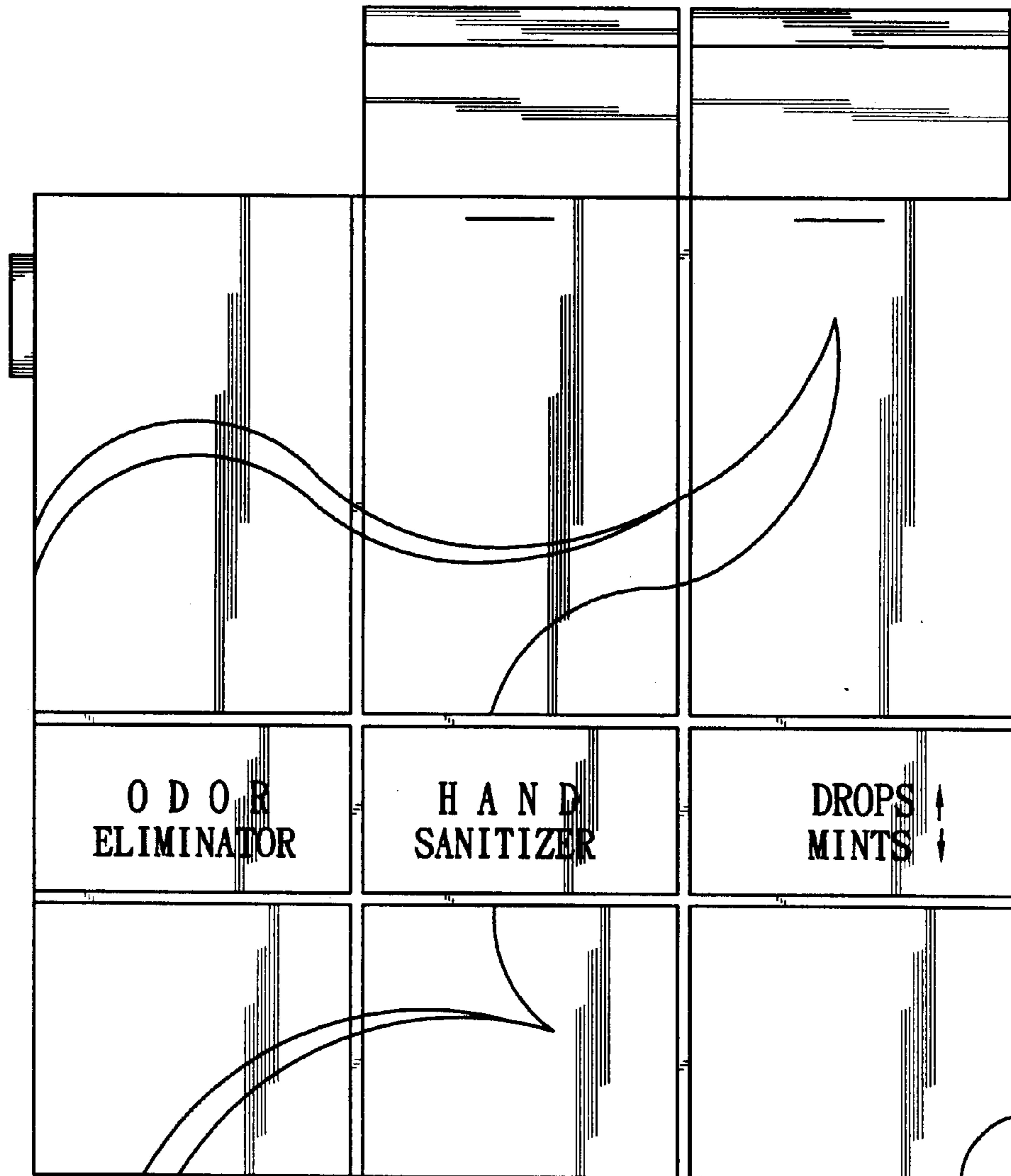


FIG. 2

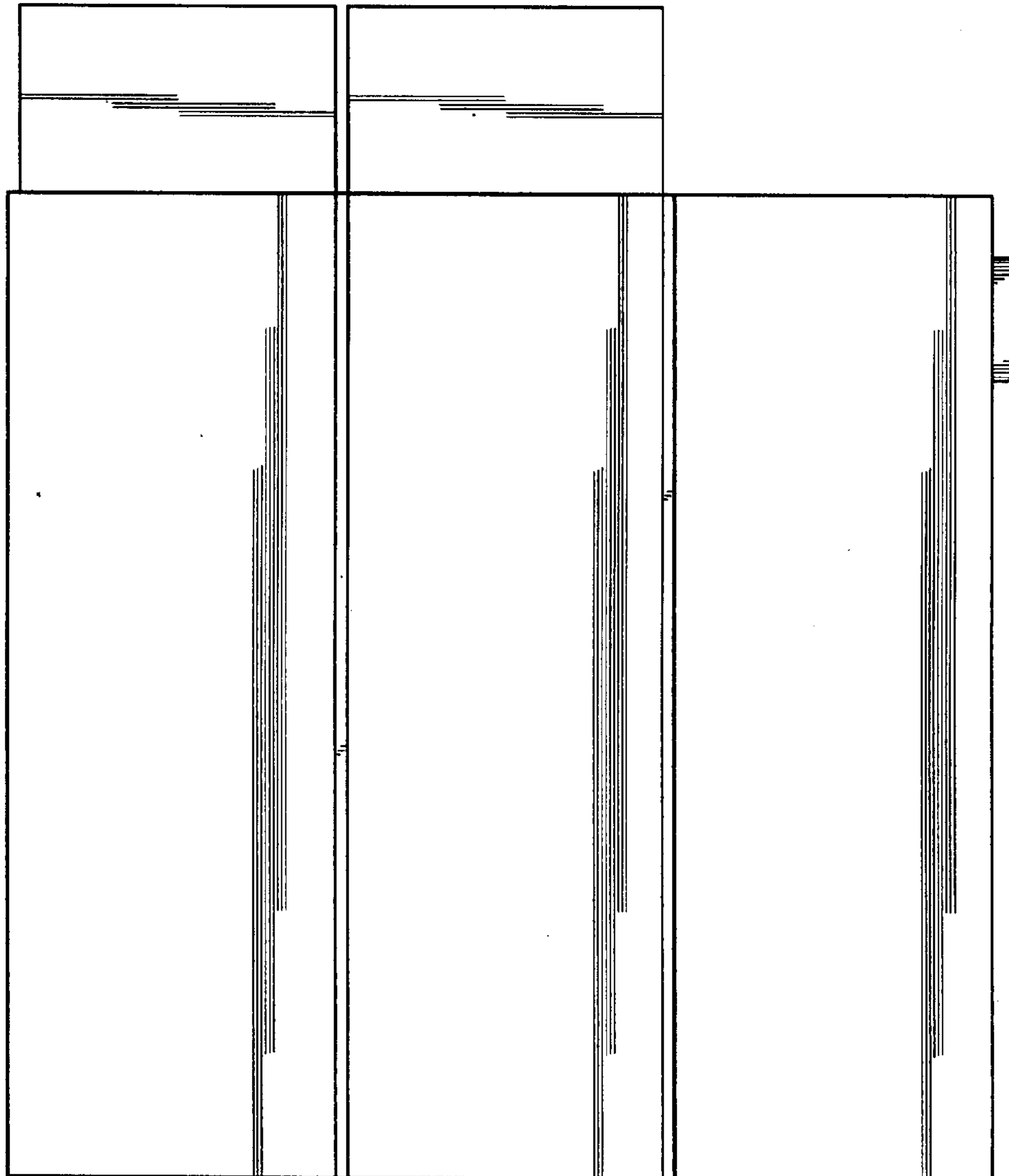


FIG. 3

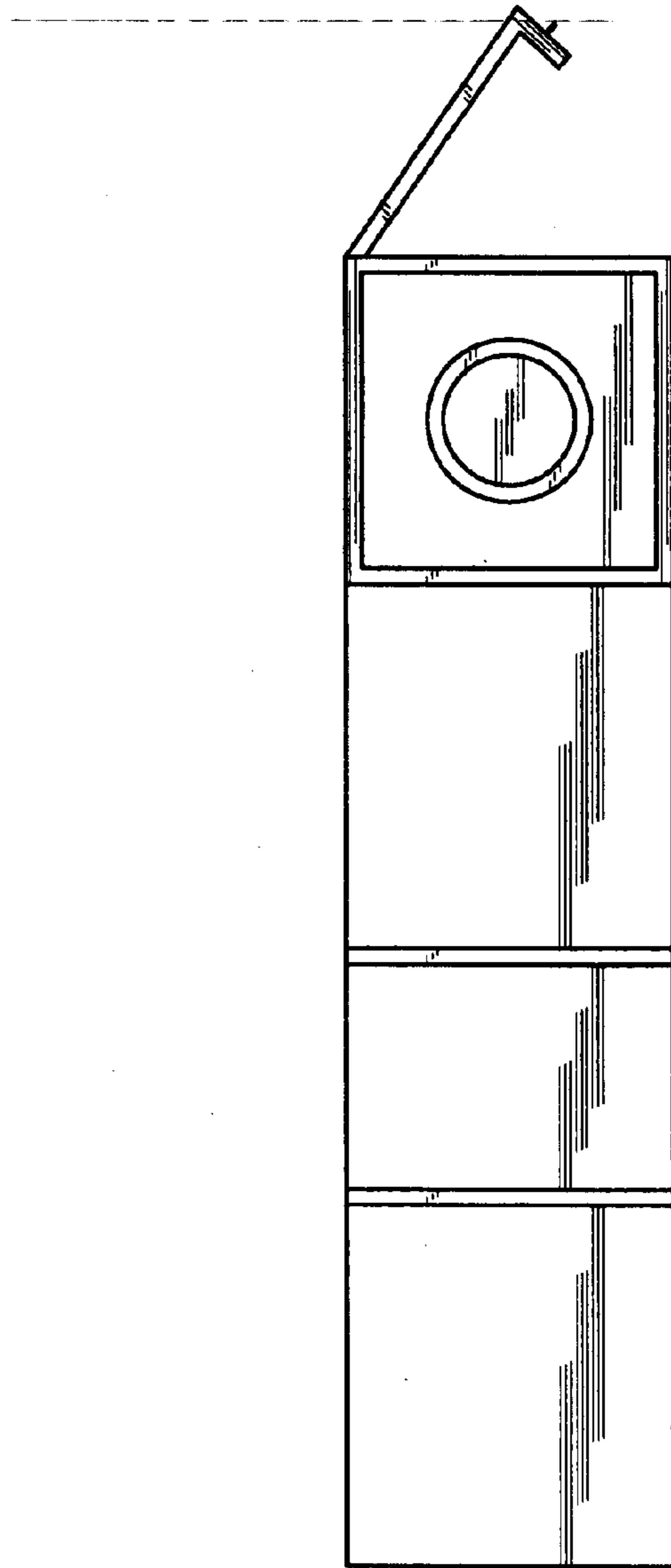


FIG. 4

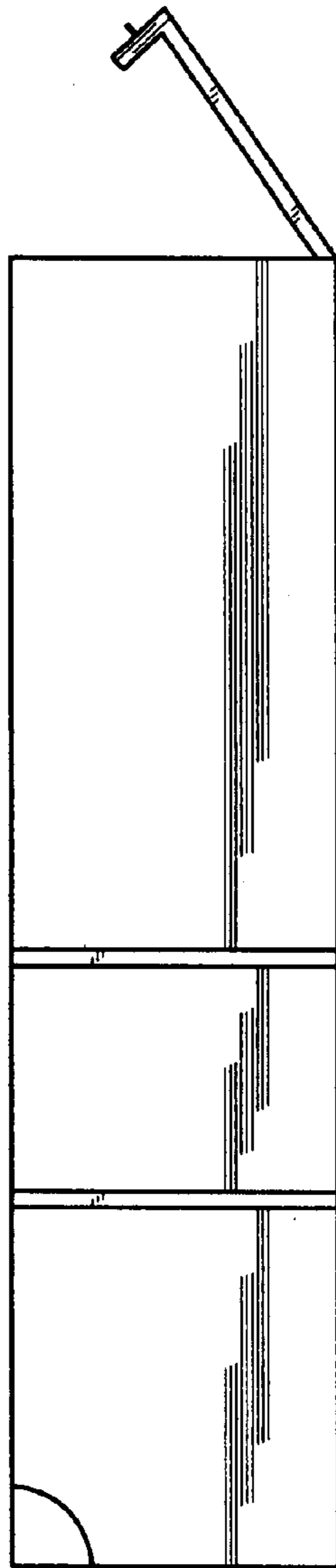


FIG. 5

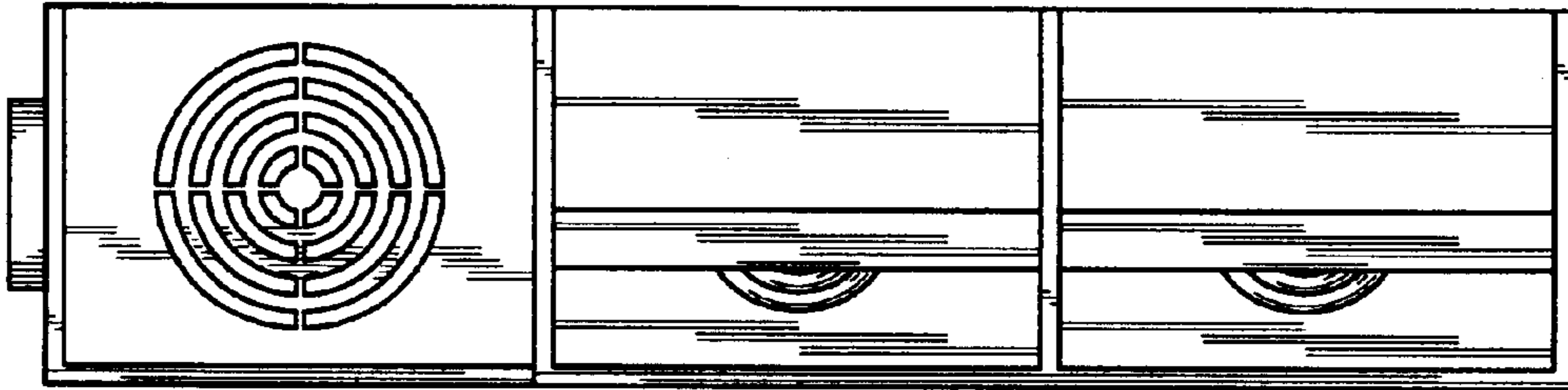


FIG. 6

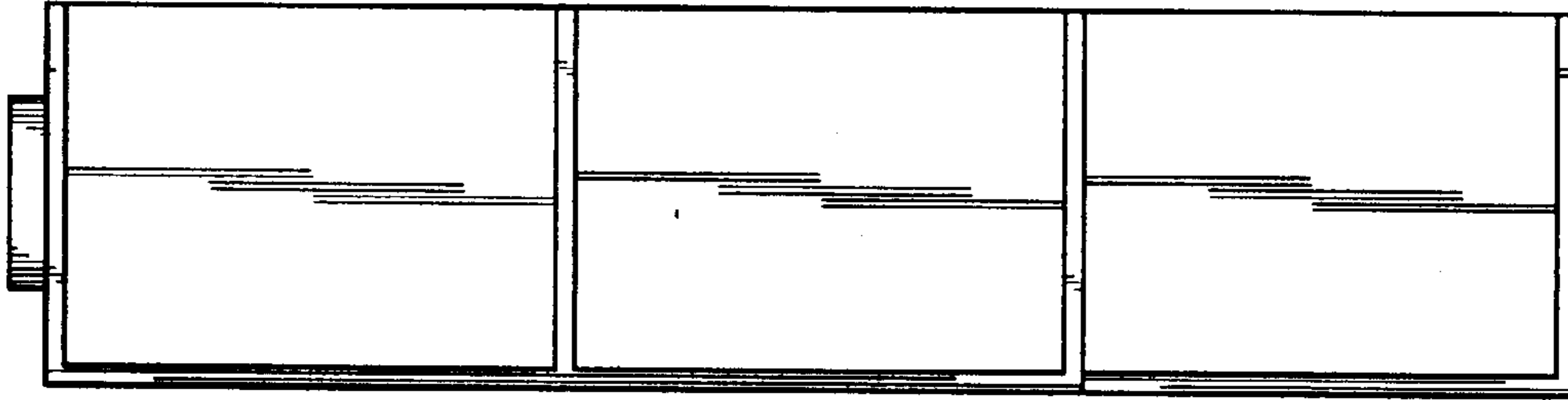


FIG. 7