



US00D533713S

(12) **United States Design Patent**
Tucci et al.

(10) **Patent No.:** **US D533,713 S**
(45) **Date of Patent:** **** Dec. 19, 2006**

(54) **FIRST AID KIT FOR A BABY**

(76) Inventors: **Kareen Tucci**, 9513 106th Street,
Morinville, Alberta (CA), T8R-1E2;
Robert K. Tucci, 9513 106th Street,
Morinville, Alberta (CA), T8R-1E2

(**) Term: **14 Years**

(21) Appl. No.: **29/240,029**

(22) Filed: **Oct. 11, 2005**

(51) **LOC (8) Cl.** **03-01**

(52) **U.S. Cl.** **D3/203.6**

(58) **Field of Classification Search** D3/203.1-203.6,
D3/201, 205, 282-283, 294, 301; 206/570,
206/581-582; 150/117

See application file for complete search history.

(56) **References Cited**

U.S. PATENT DOCUMENTS

4,221,221	A	9/1980	Ehrlich	128/284
4,322,954	A	4/1982	Sheehan et al.	62/371
4,685,559	A	8/1987	Titus	206/38
4,964,859	A	10/1990	Feldman	604/385.1
D401,405	S	* 11/1998	Kim et al.	D3/205
5,926,881	A	7/1999	Madison	5/655

D446,926	S	*	8/2001	Silva	D3/205
6,516,745	B1		2/2003	Spires et al.	119/28.5
D512,216	S	*	12/2005	Joyce	D3/203.6
2004/0108241	A1	*	6/2004	Dorward	206/570

* cited by examiner

Primary Examiner—Catherine R. Oliver

(74) *Attorney, Agent, or Firm*—Donald R. Schoonover

(57) **CLAIM**

We claim the ornamental design for a first aid kit for a baby, as shown and described.

DESCRIPTION

FIG. 1 is a perspective view of a first aid kit for a baby showing our new design; FIG. 2 is a left side elevational view thereof, the right side elevational view being a mirror image thereof; FIG. 3 is a bottom plan view thereof; FIG. 4 is a top plan view thereof; FIG. 5 is a rear elevational view thereof; FIG. 6 is a front elevational view thereof; and, FIG. 7 is a reduced perspective view showing the first aid kit for a baby in use with two items thereof removed; the broken lines depict environmental structure for illustrative purposes only and form no part of the claimed design.

1 Claim, 2 Drawing Sheets



Fig. 1



Fig. 2

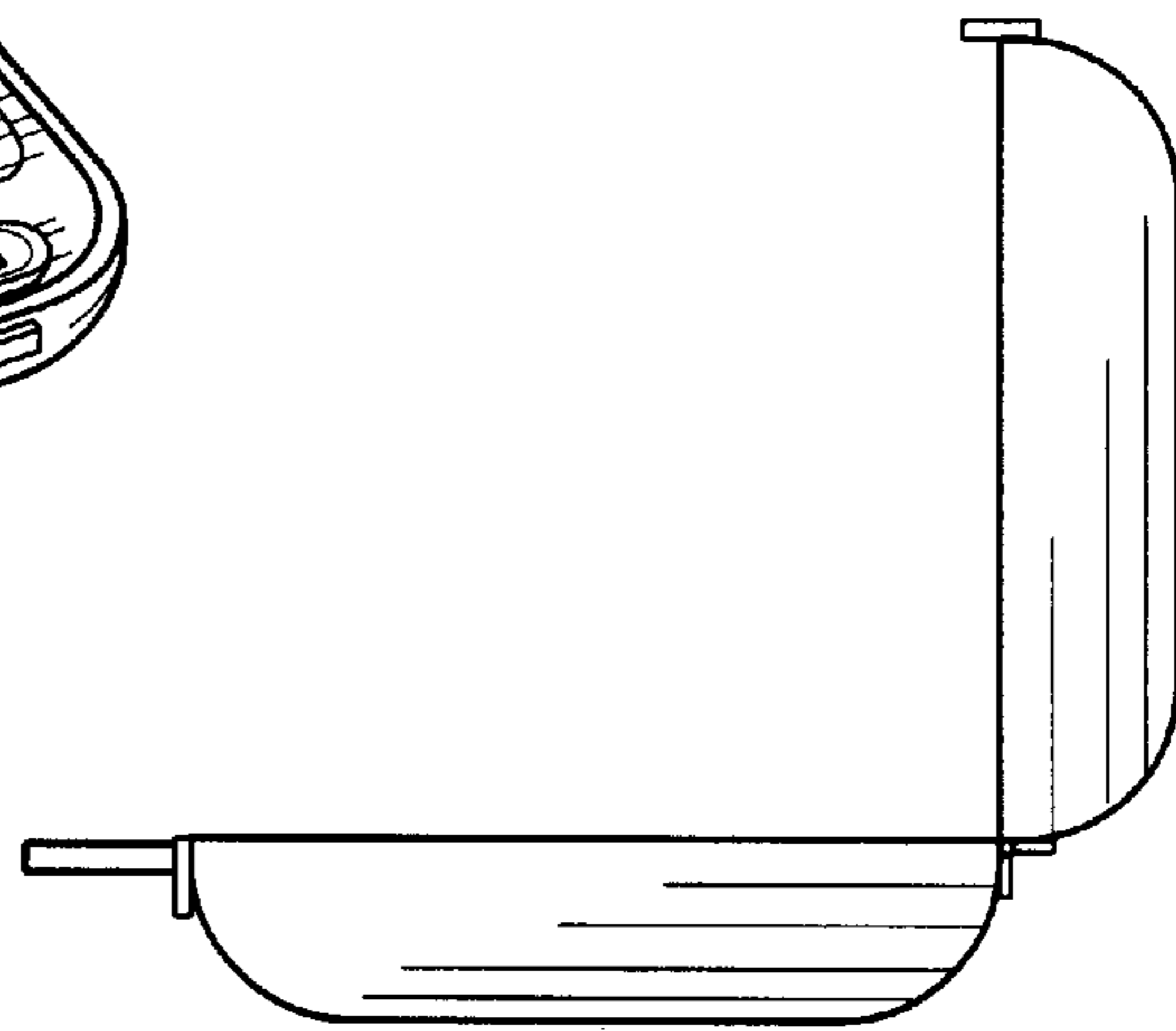


Fig. 3

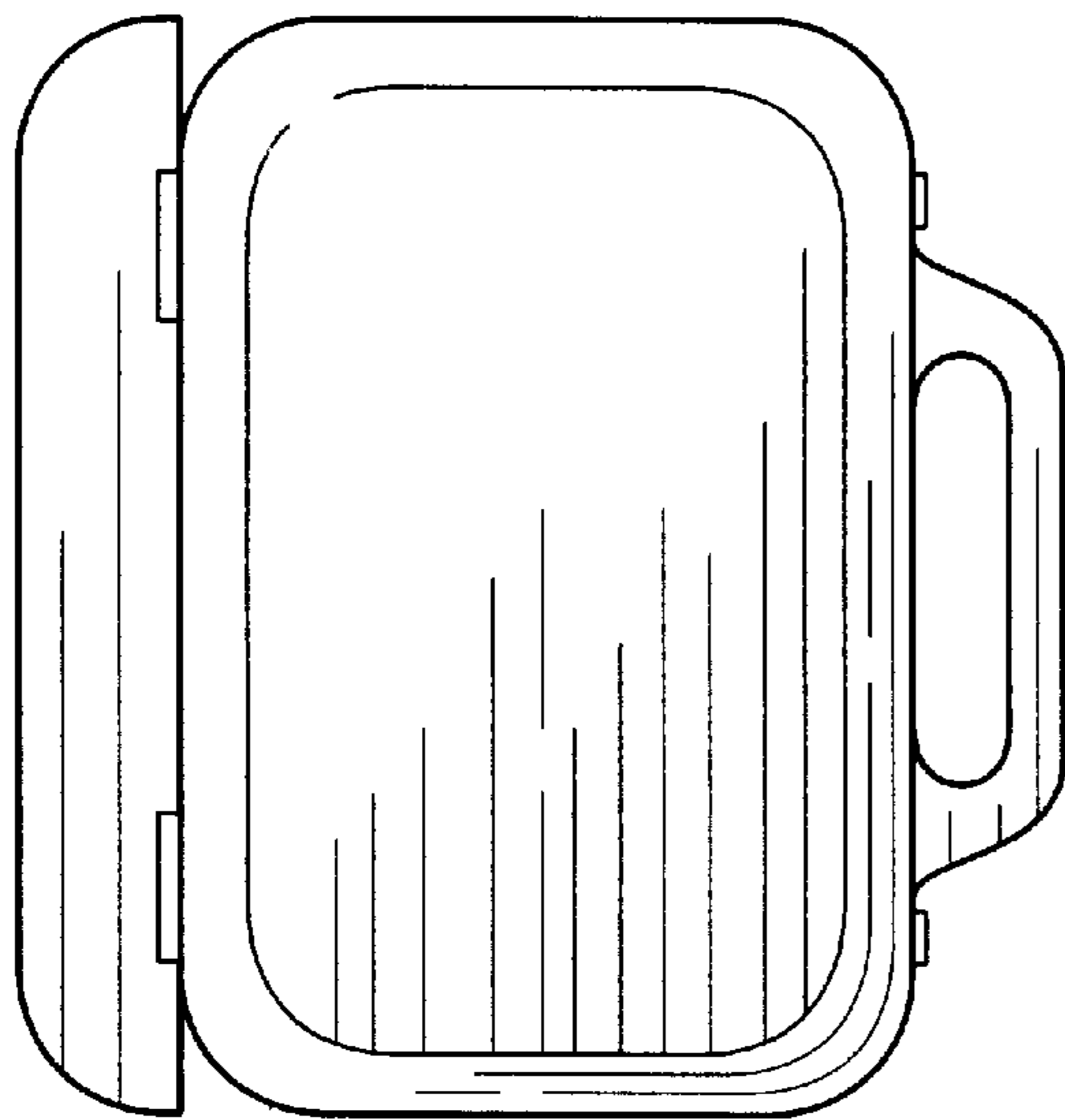


Fig. 4

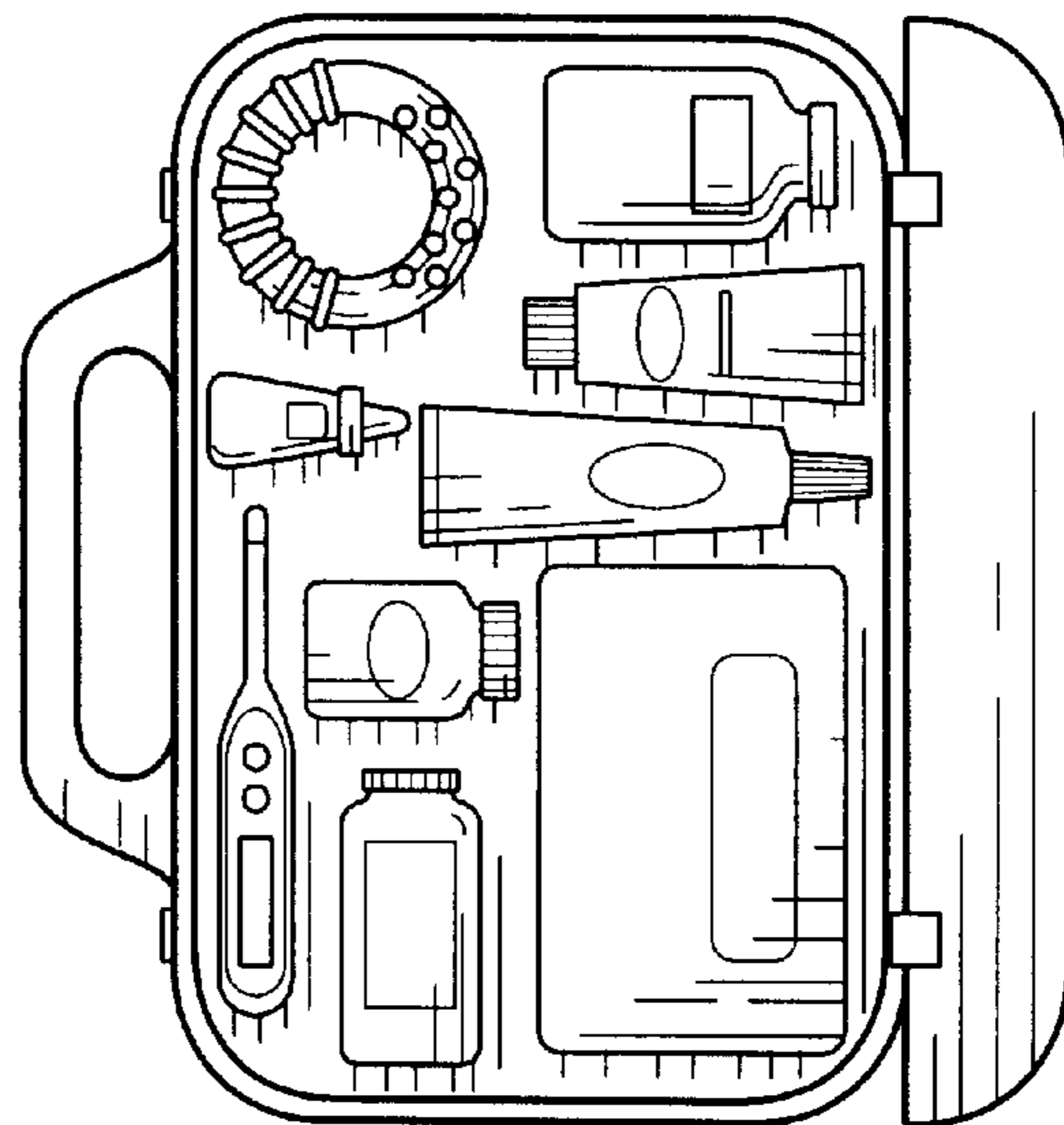


Fig. 5

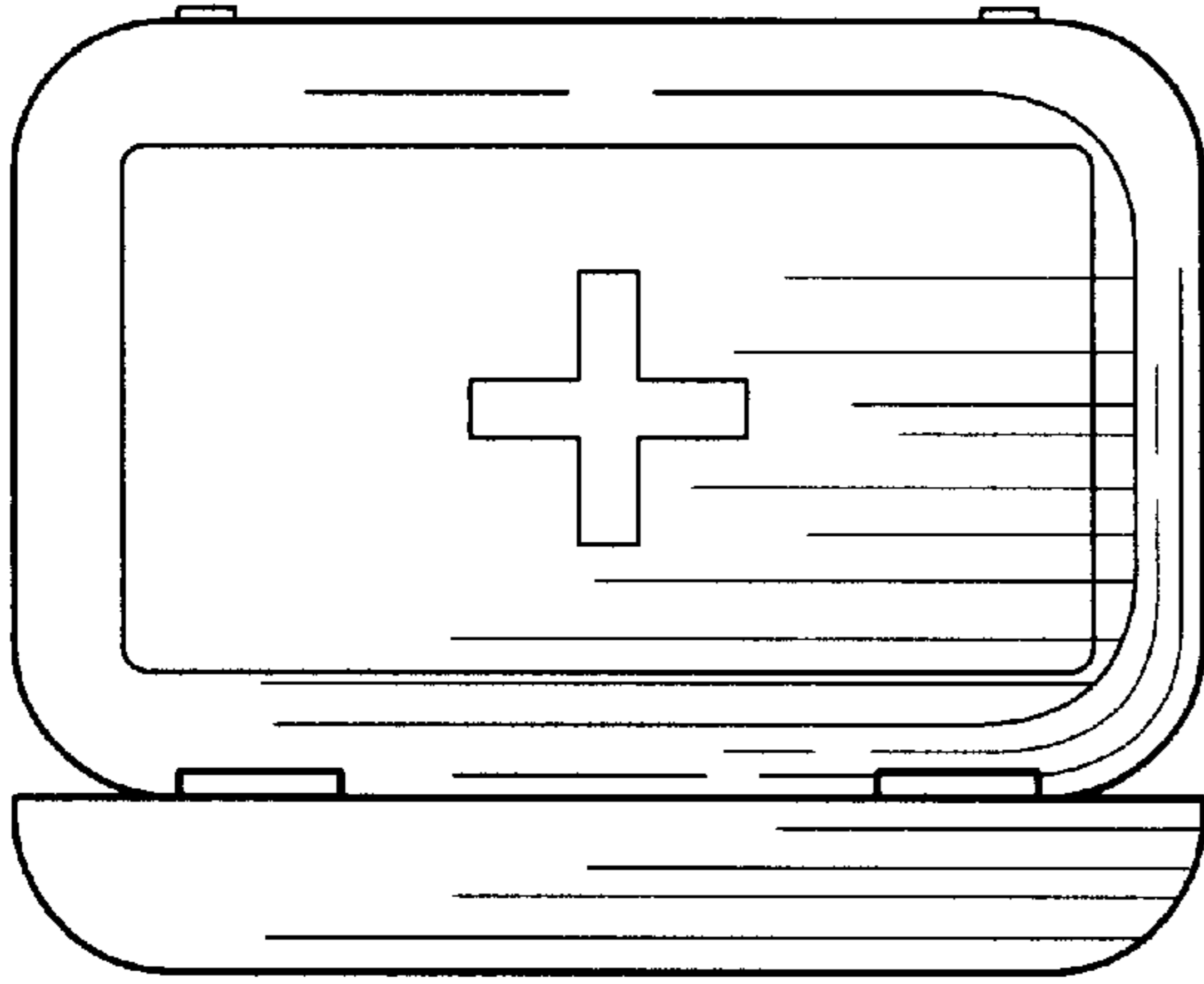


Fig. 6

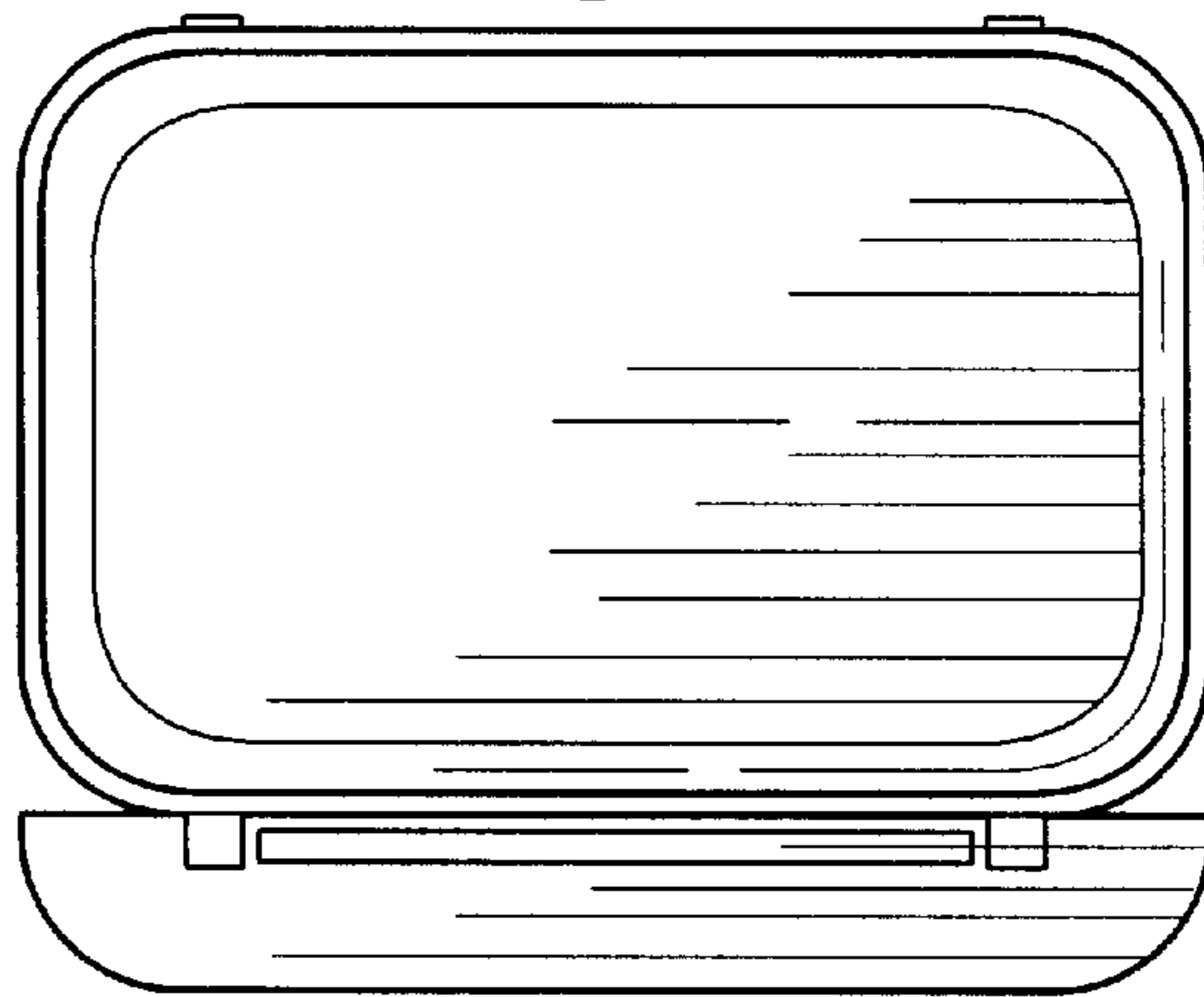


Fig. 7

