



US00D533708S

(12) **United States Design Patent**
Earle

(10) **Patent No.:** **US D533,708 S**

(45) **Date of Patent:** **** Dec. 19, 2006**

(54) **PORTION OF AN ARTICLE OF FOOTWEAR**

(75) Inventor: **John Earle**, Portland, OR (US)

(73) Assignee: **Deckers Outdoor Corporation**,
Flagstaff, AZ (US)

(**) Term: **14 Years**

(21) Appl. No.: **29/239,865**

(22) Filed: **Oct. 5, 2005**

(51) **LOC (8) Cl.** **02-04**

(52) **U.S. Cl.** **D2/956; D2/954; D2/960**

(58) **Field of Classification Search** D2/902,
D2/947-949, 951-957, 959-961, 964; 36/3 B,
36/22 R, 24.5, 25 R, 28, 32 R, 34 R, 67 A,
36/59 C

See application file for complete search history.

(56) **References Cited**

U.S. PATENT DOCUMENTS

1,560,995	A	*	11/1925	Kaplan	36/59 C
D133,176	S	*	7/1942	Gregg	D2/960
D157,989	S	*	4/1950	Lussier	D2/954
D164,457	S	*	9/1951	Sprigg	D2/954
4,141,158	A	*	2/1979	Benseler et al.	36/32 R
D253,140	S	*	10/1979	Pasquier	D2/952
D275,148	S	*	8/1984	Bergmans	D2/956
D290,423	S	*	6/1987	Peterson	D2/961
4,779,359	A	*	10/1988	Famolare, Jr.	36/29
D299,382	S	*	1/1989	Diaz	D5/53
4,934,071	A	*	6/1990	Virgini	36/29
D415,610	S	*	10/1999	Cahill	D2/960
D421,828	S	*	3/2000	Malka	D2/916

D448,920	S	*	10/2001	Montross et al.	D2/954
D449,156	S	*	10/2001	McClaskie	D2/960
D449,430	S	*	10/2001	McClaskie	D2/960
D462,509	S	*	9/2002	Merceron	D2/956
D462,828	S	*	9/2002	Merceron	D2/956
D473,041	S	*	4/2003	Finkelberg	D2/960
D474,330	S	*	5/2003	McClaskie	D2/952
D475,514	S	*	6/2003	Burg et al.	D2/960
D482,850	S	*	12/2003	Fornari	D2/952
D498,350	S	*	11/2004	Recchi	D2/956
D512,553	S	*	12/2005	Robbins et al.	D2/954
D513,112	S	*	12/2005	Le	D2/957
D516,781	S	*	3/2006	Ardissono et al.	D2/954
D516,782	S	*	3/2006	Robbins et al.	D2/956

* cited by examiner

Primary Examiner—Celia A. Murphy

(74) *Attorney, Agent, or Firm*—Greer, Burns & Crain Ltd.

(57) **CLAIM**

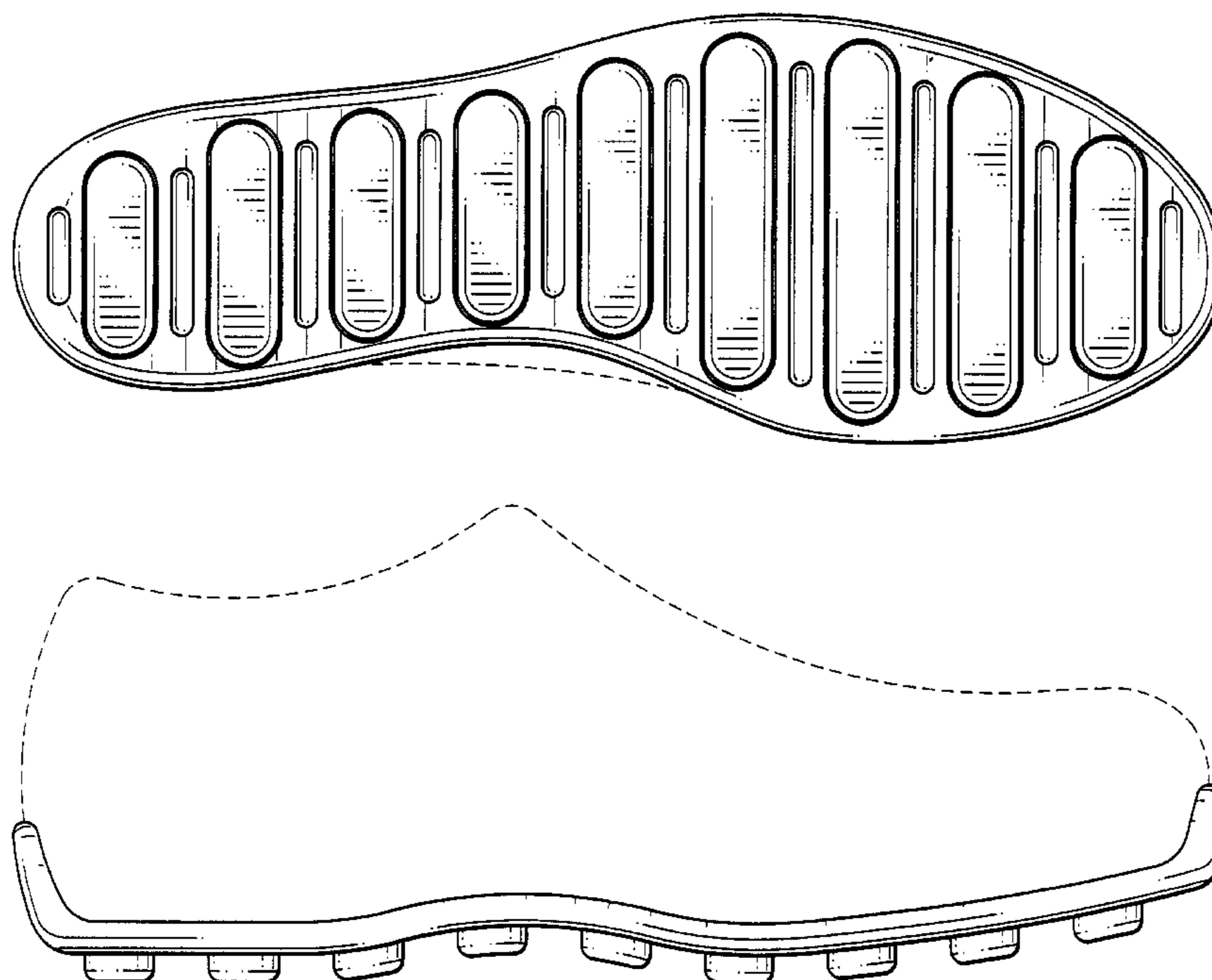
The ornamental design for a portion of an article of footwear, as shown and described.

DESCRIPTION

FIG. 1 is a bottom perspective view of a portion of an article of footwear showing my new design; FIG. 2 is a bottom plan view thereof; FIG. 3 is a top plan view thereof; FIG. 4 is a left side elevational view thereof; FIG. 5 is a right side elevational view thereof; FIG. 6 is a front elevational view thereof; and, FIG. 7 is a rear elevational view thereof.

The broken-line showing in FIGS. 1-7 is for illustrative purposes only and forms no part of the claimed design.

1 Claim, 6 Drawing Sheets



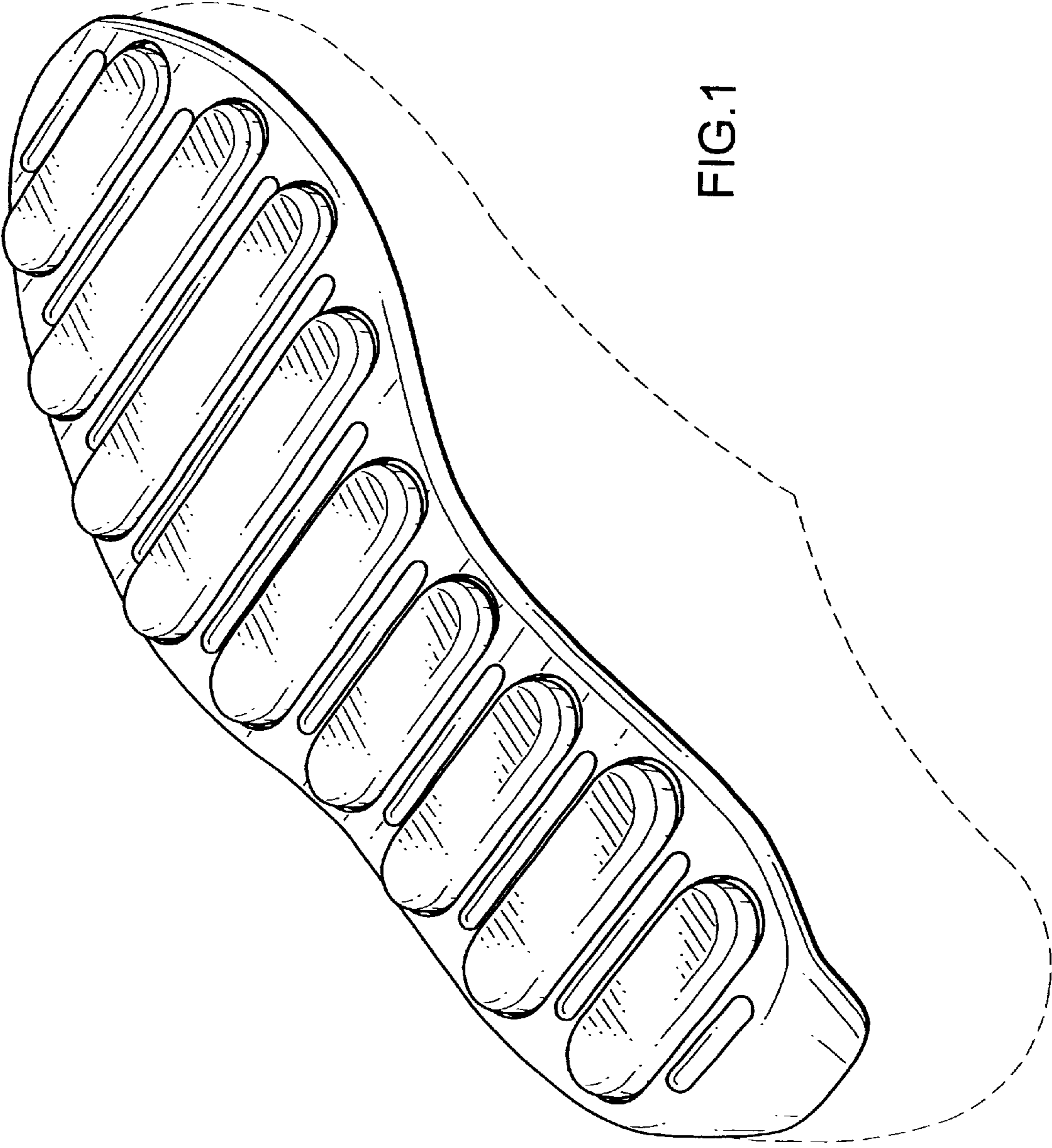


FIG. 1

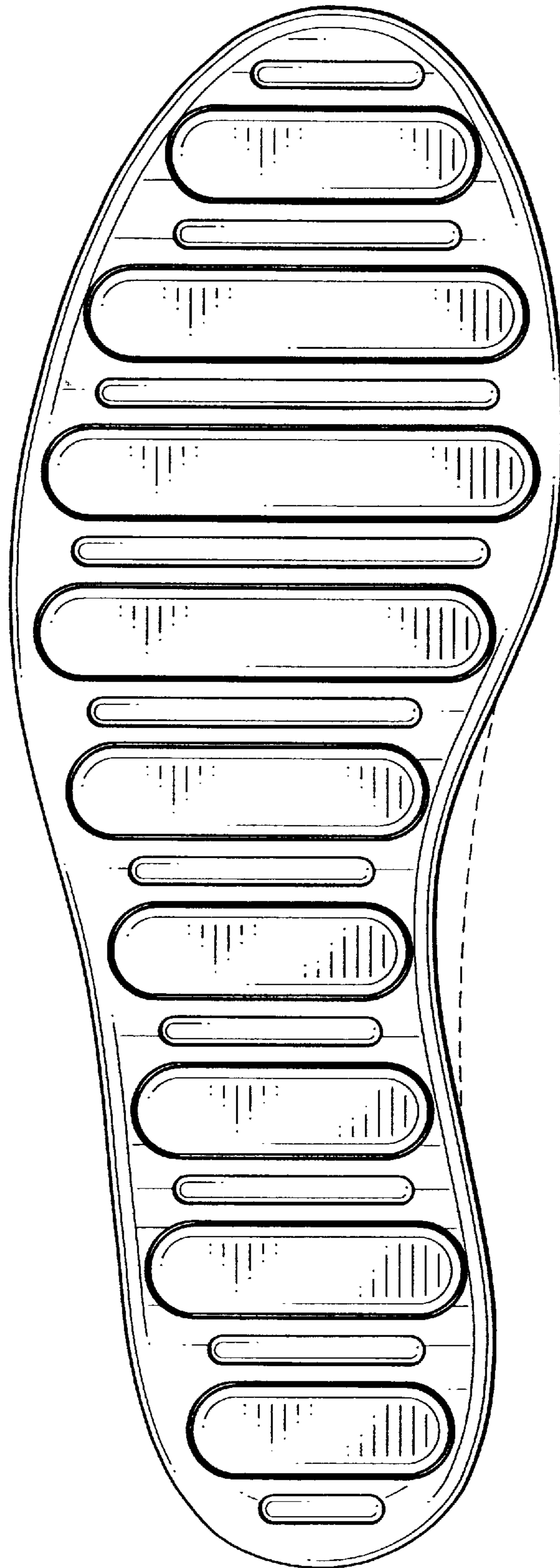


FIG.2

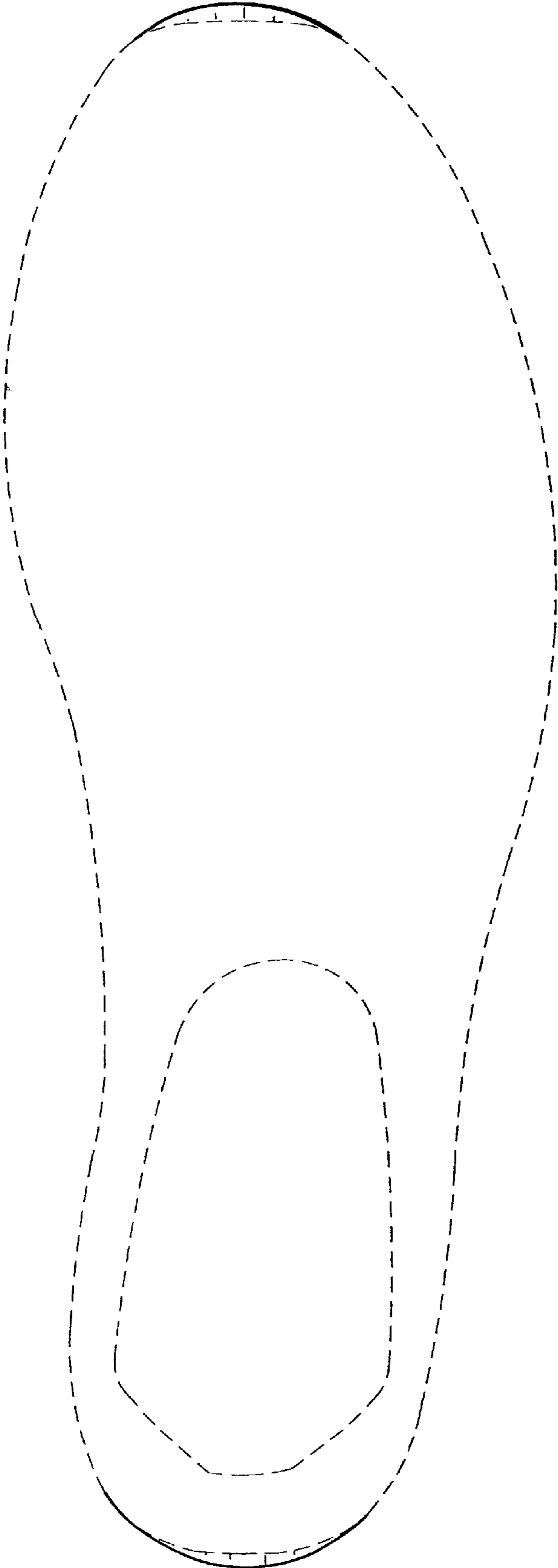


FIG.3

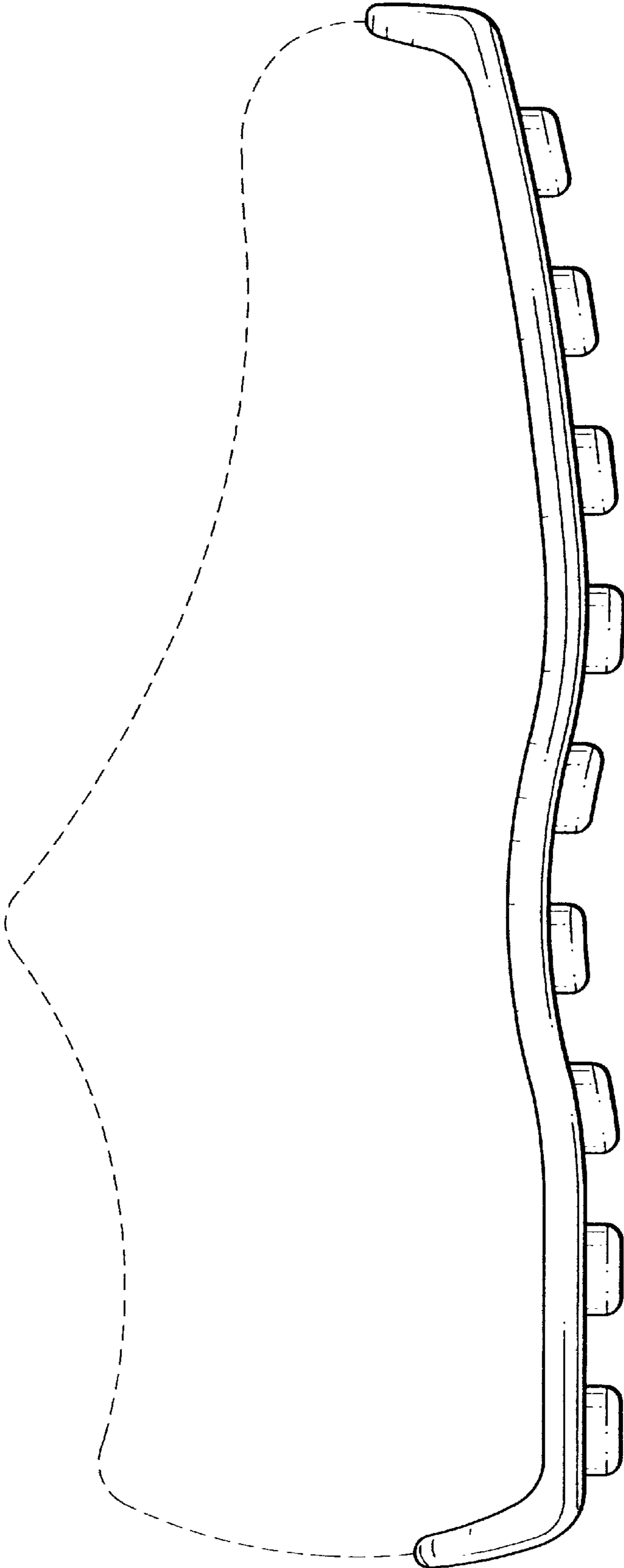


FIG.4

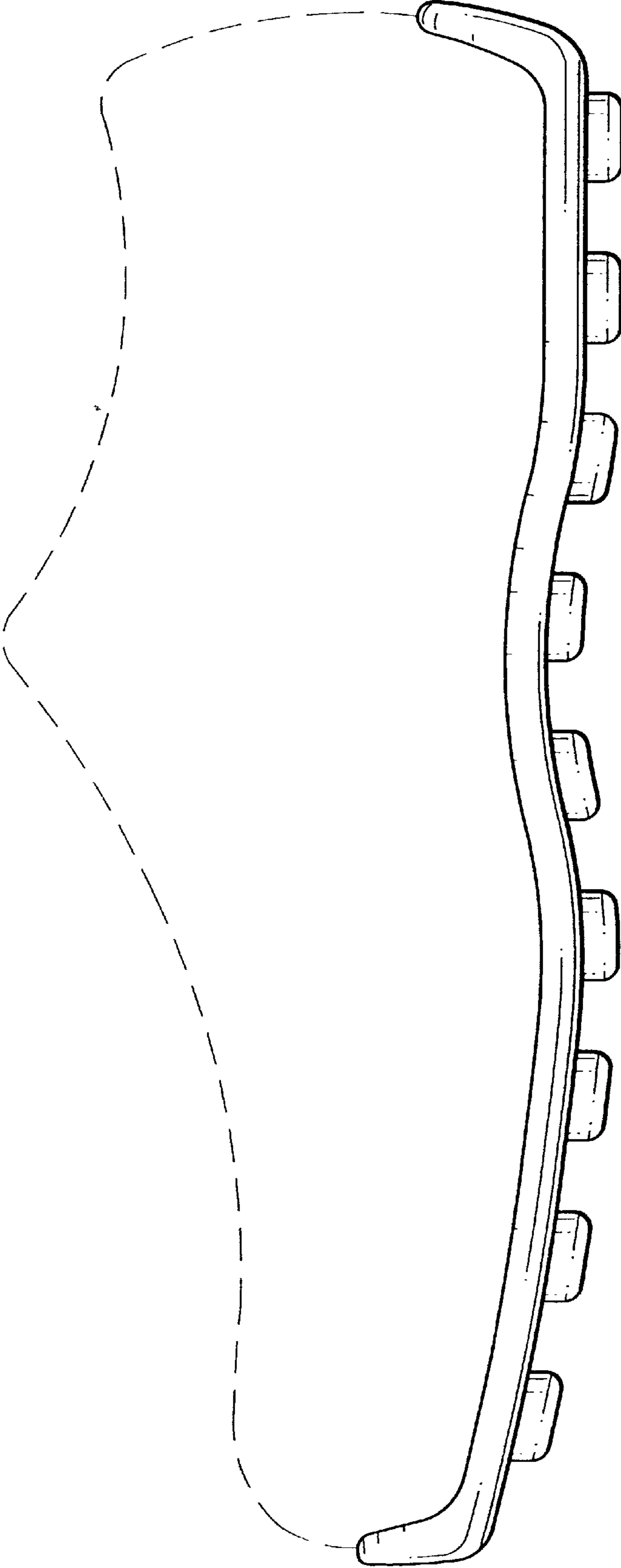


FIG. 5

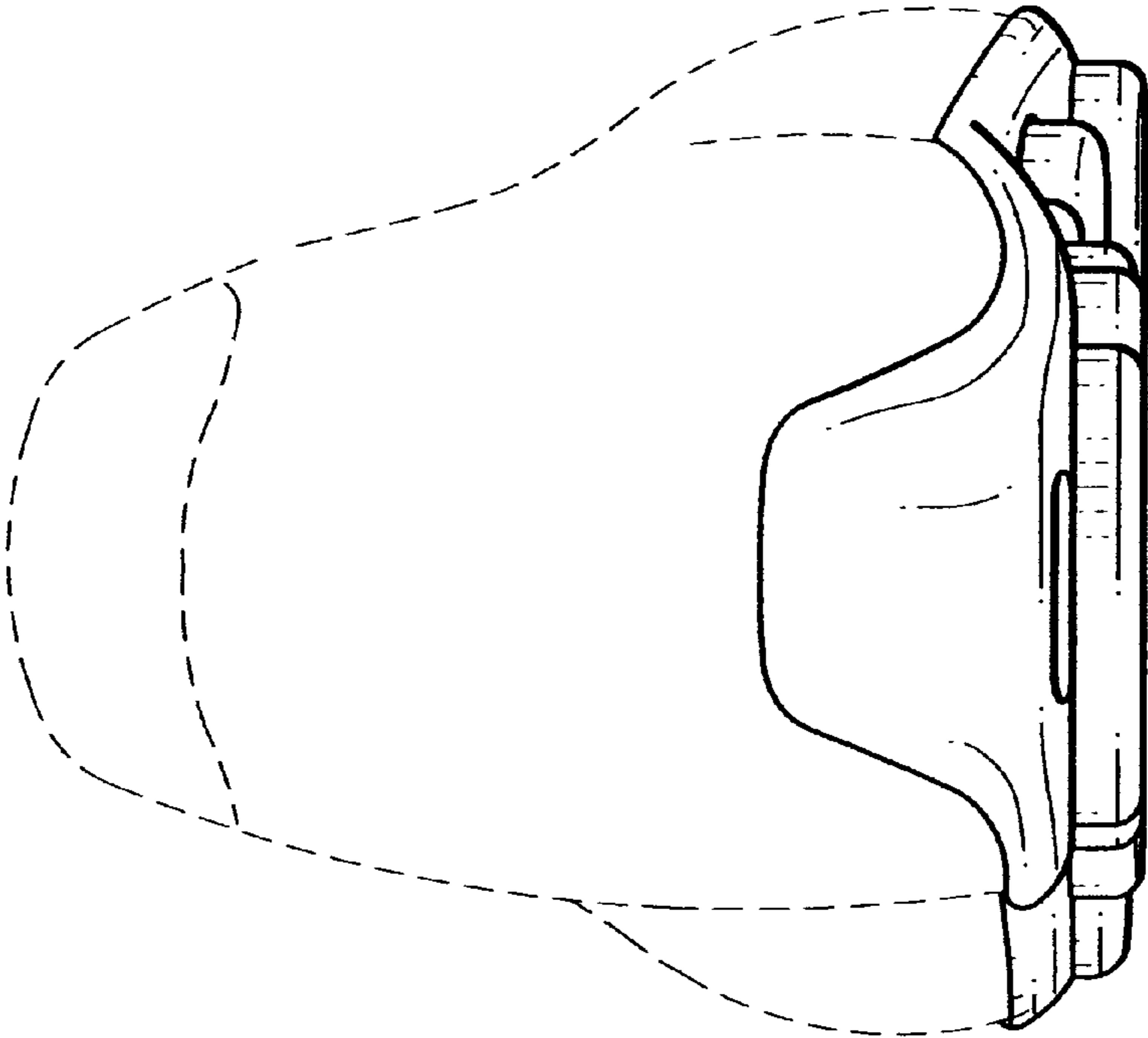


FIG. 7

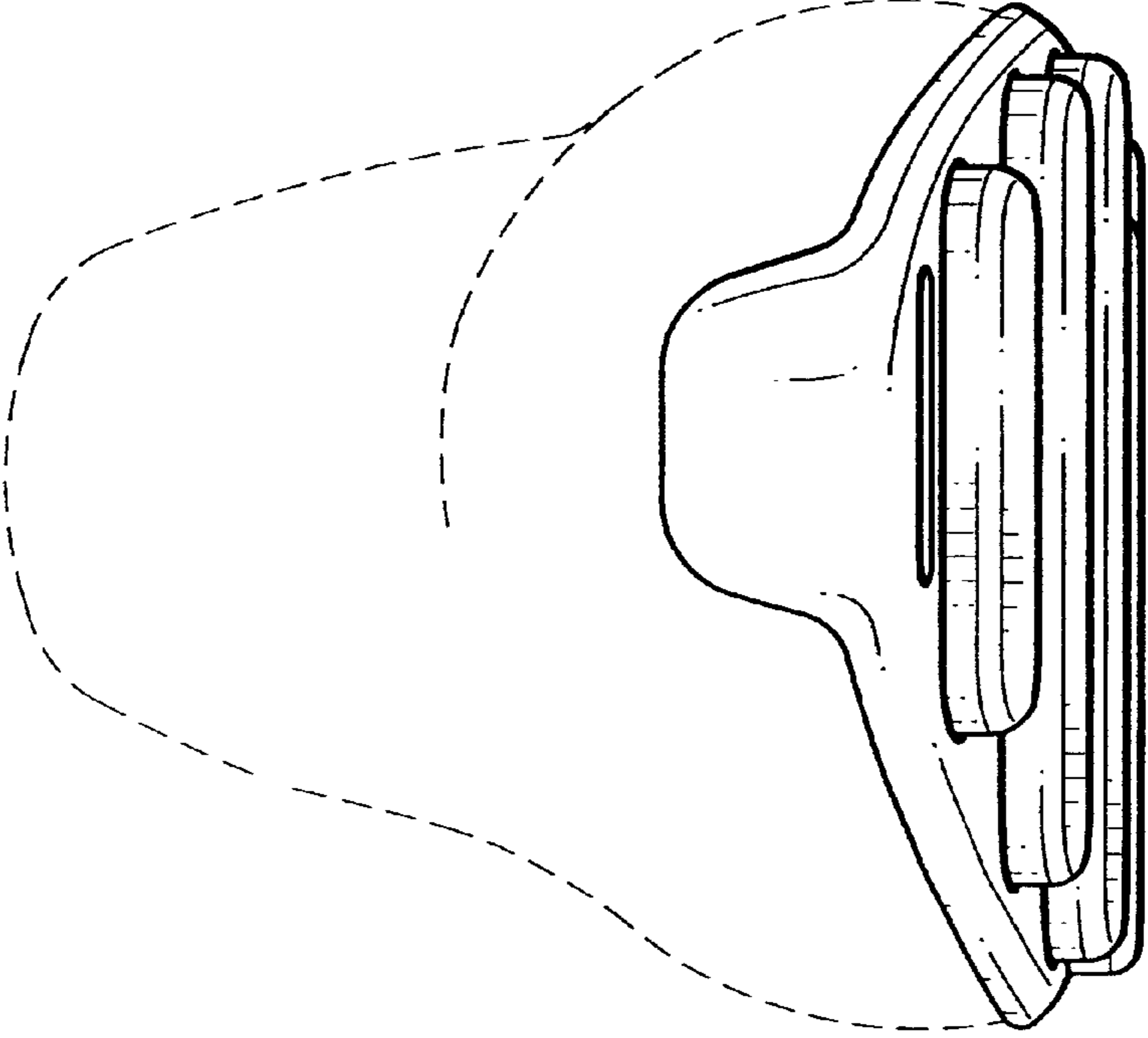


FIG. 6