



US00D533705S

(12) **United States Design Patent**  
**Bertucci et al.**

(10) **Patent No.:** **US D533,705 S**

(45) **Date of Patent:** **\*\* Dec. 12, 2006**

(54) **CLEANING CART**

(75) Inventors: **Michael H. Bertucci**, Gurnee, IL (US);  
**Daniel T. Dub**, Racine, WI (US);  
**Christopher F. Lang**, Burlington, WI  
(US); **Steven E. Schiller**, Kenosha, WI  
(US)

(73) Assignee: **JohnsonDiversey, Inc.**, Sturtevant, WI  
(US)

(\*\*) Term: **14 Years**

(21) Appl. No.: **29/217,032**

(22) Filed: **Nov. 12, 2004**

(51) **LOC (8) Cl.** ..... **12-02**

(52) **U.S. Cl.** ..... **D34/14**

(58) **Field of Classification Search** ..... D34/12-27;  
280/47.34, 47.35, 79.2, 79.3, 47.26, 79.5;  
D6/477, 479; 220/676; D32/53

See application file for complete search history.

(56) **References Cited**

**U.S. PATENT DOCUMENTS**

D361,188 S \* 8/1995 Perelli ..... D34/21  
5,458,350 A \* 10/1995 Johnson et al. .... 280/47.26  
D401,712 S \* 11/1998 Daniels ..... D34/20

D415,867 S \* 10/1999 Perelli ..... D34/21  
D423,175 S \* 4/2000 Daniels ..... D34/25  
6,497,423 B1 \* 12/2002 Perelli et al. .... 280/47.34  
D481,188 S \* 10/2003 DiGiacomo et al. .... D34/21  
2003/0122331 A1 \* 7/2003 DiGiacomo et al. .... 280/47.35

\* cited by examiner

*Primary Examiner*—Freda Nunn

*Assistant Examiner*—Kevin K. Rudzinski

(74) *Attorney, Agent, or Firm*—Gregory S. Bollis; Neil E.  
Hamilton; James J. Sales

(57) **CLAIM**

The ornamental design for a cleaning cart, as shown and  
described.

**DESCRIPTION**

The nature of this product is as a portable carrier for a  
dispenser of liquids primarily used for cleaning and sanitiz-  
ing solutions.

FIG. 1 is a left, front, perspective view of a cleaning cart  
embodying our new design;

FIG. 2 is a front elevational view thereof;

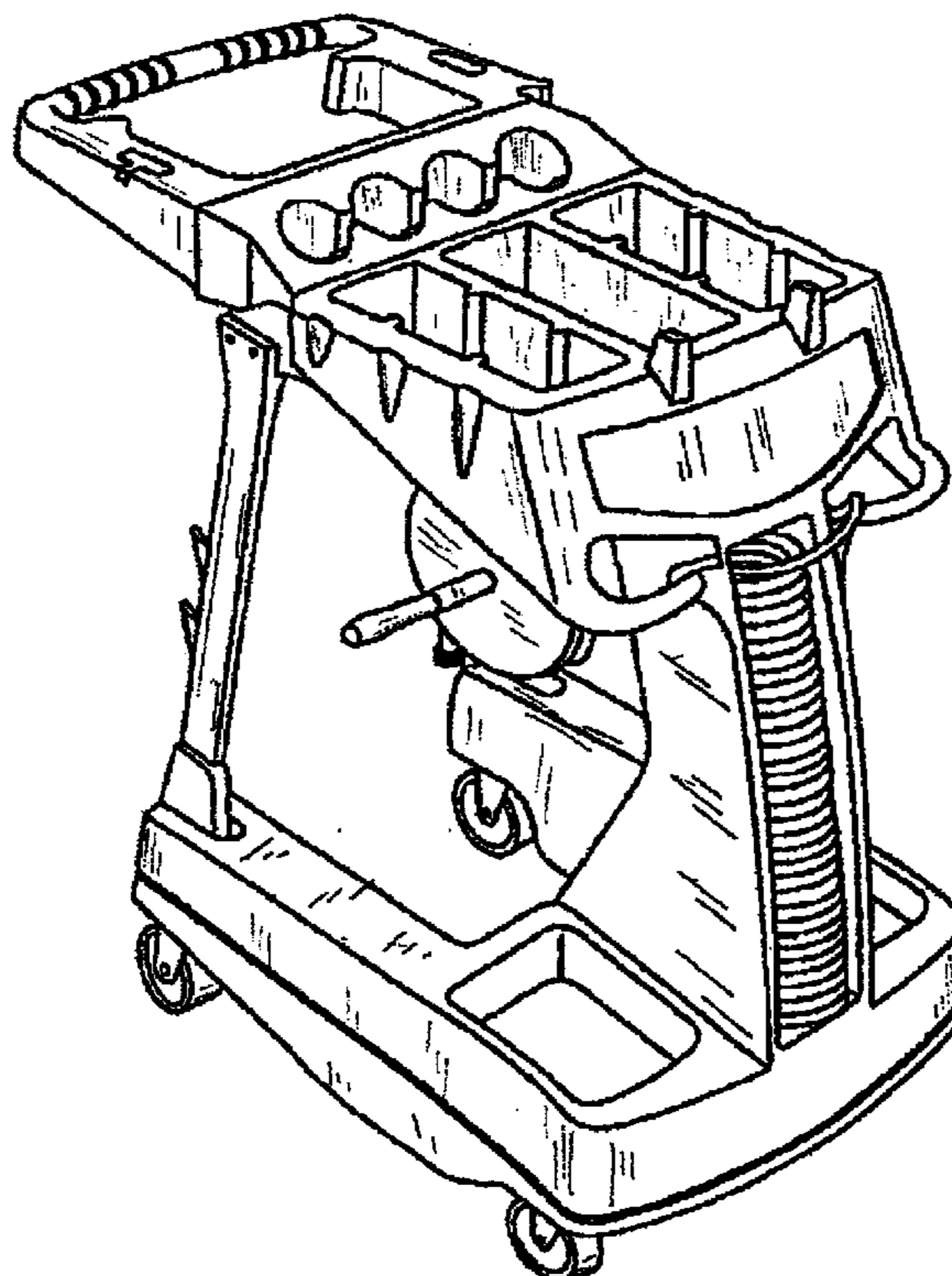
FIG. 3 is a left side elevational view thereof;

FIG. 4 is a right side elevational view thereof;

FIG. 5 is a rear elevational view thereof; and,

FIG. 6 is a top plan view thereof.

**1 Claim, 6 Drawing Sheets**



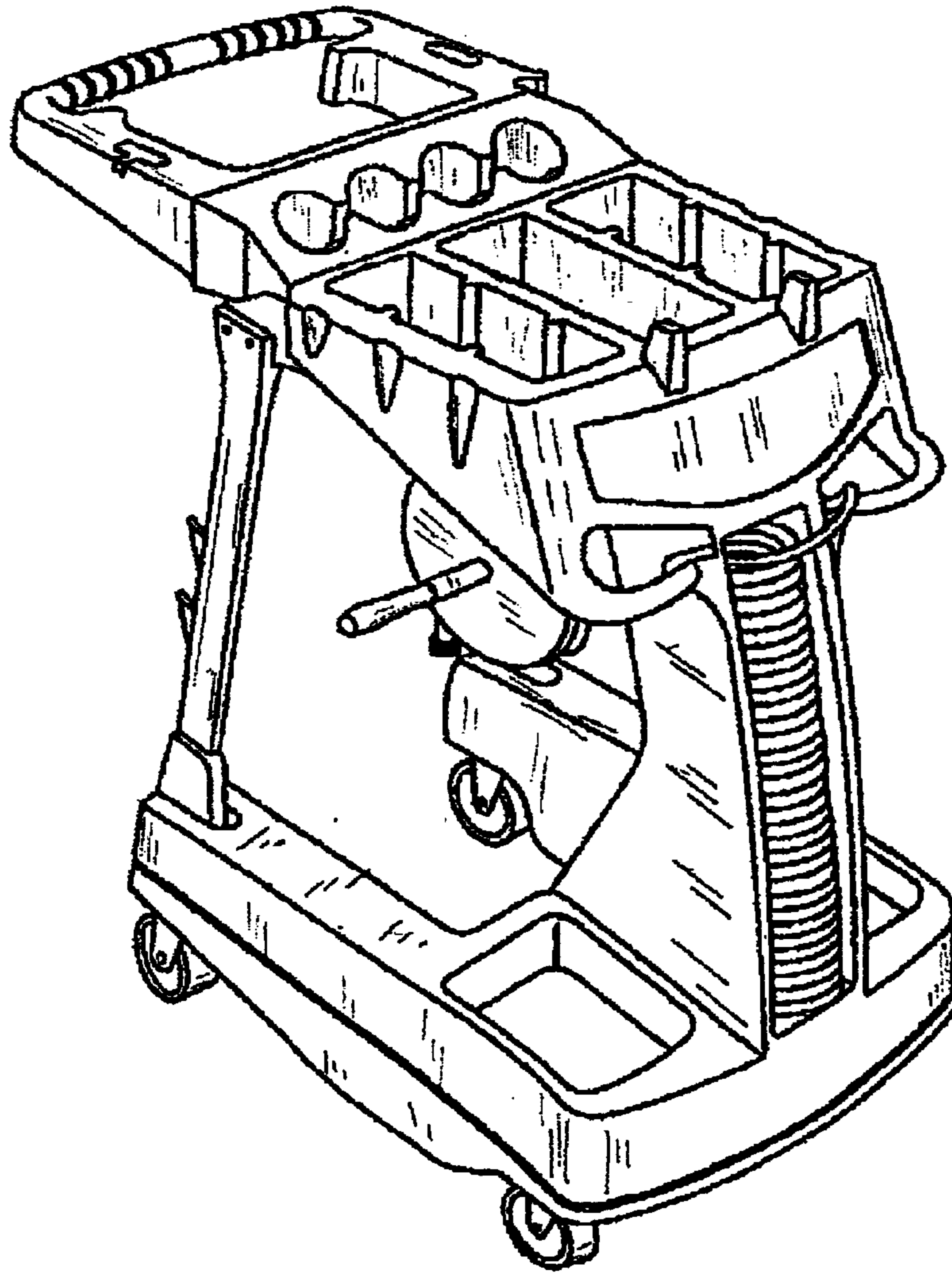


FIG. 1

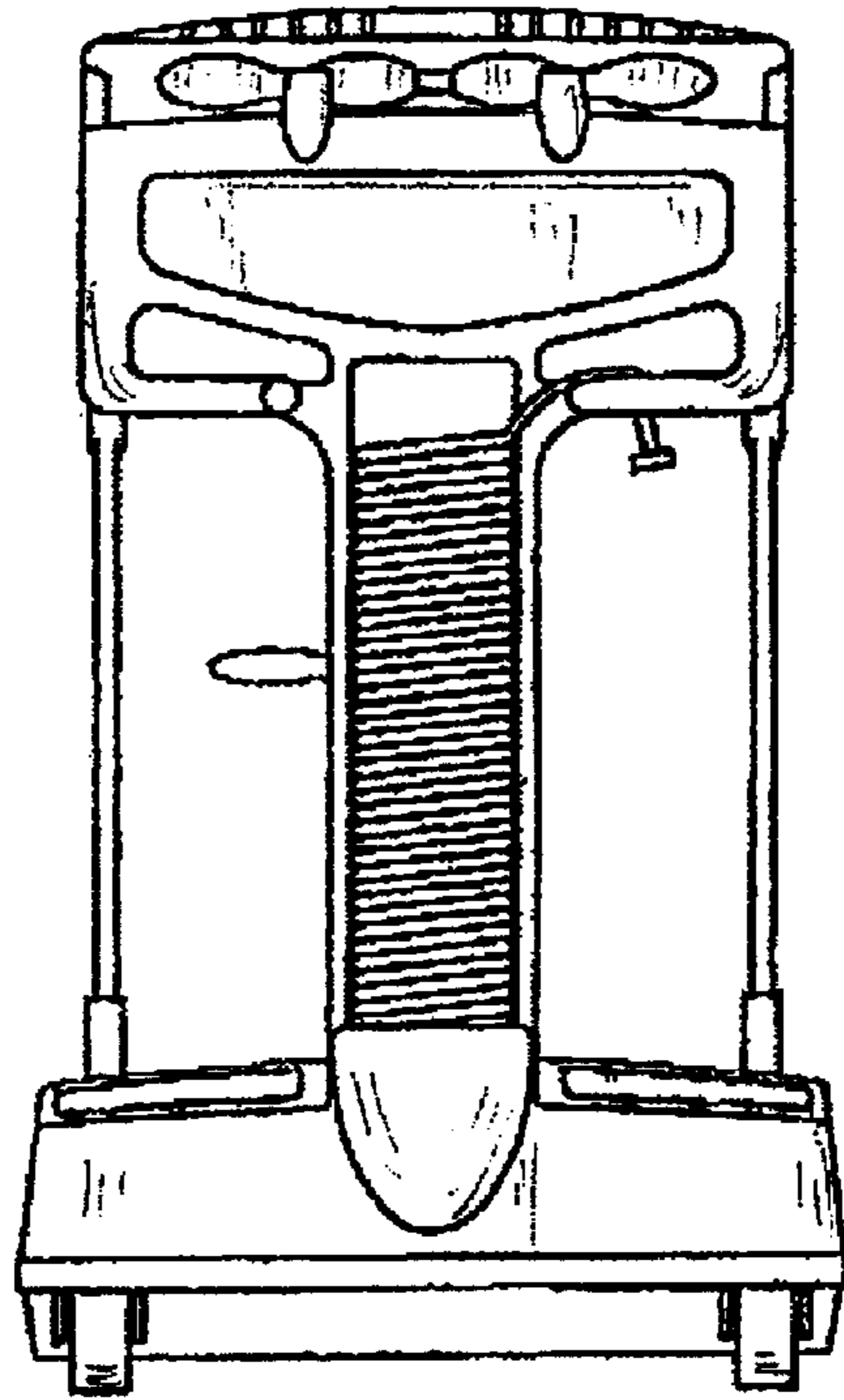


FIG. 2

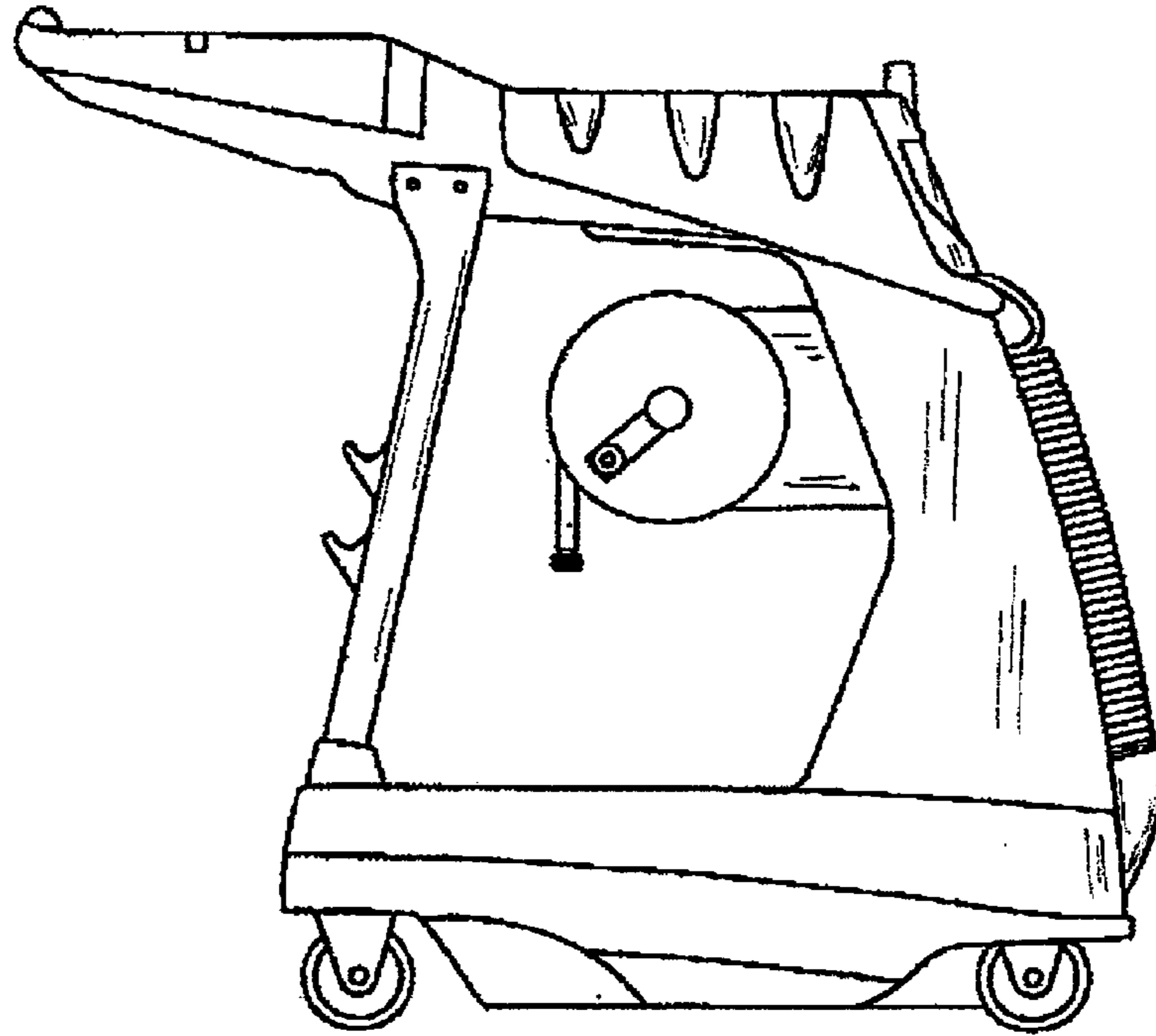


FIG. 3

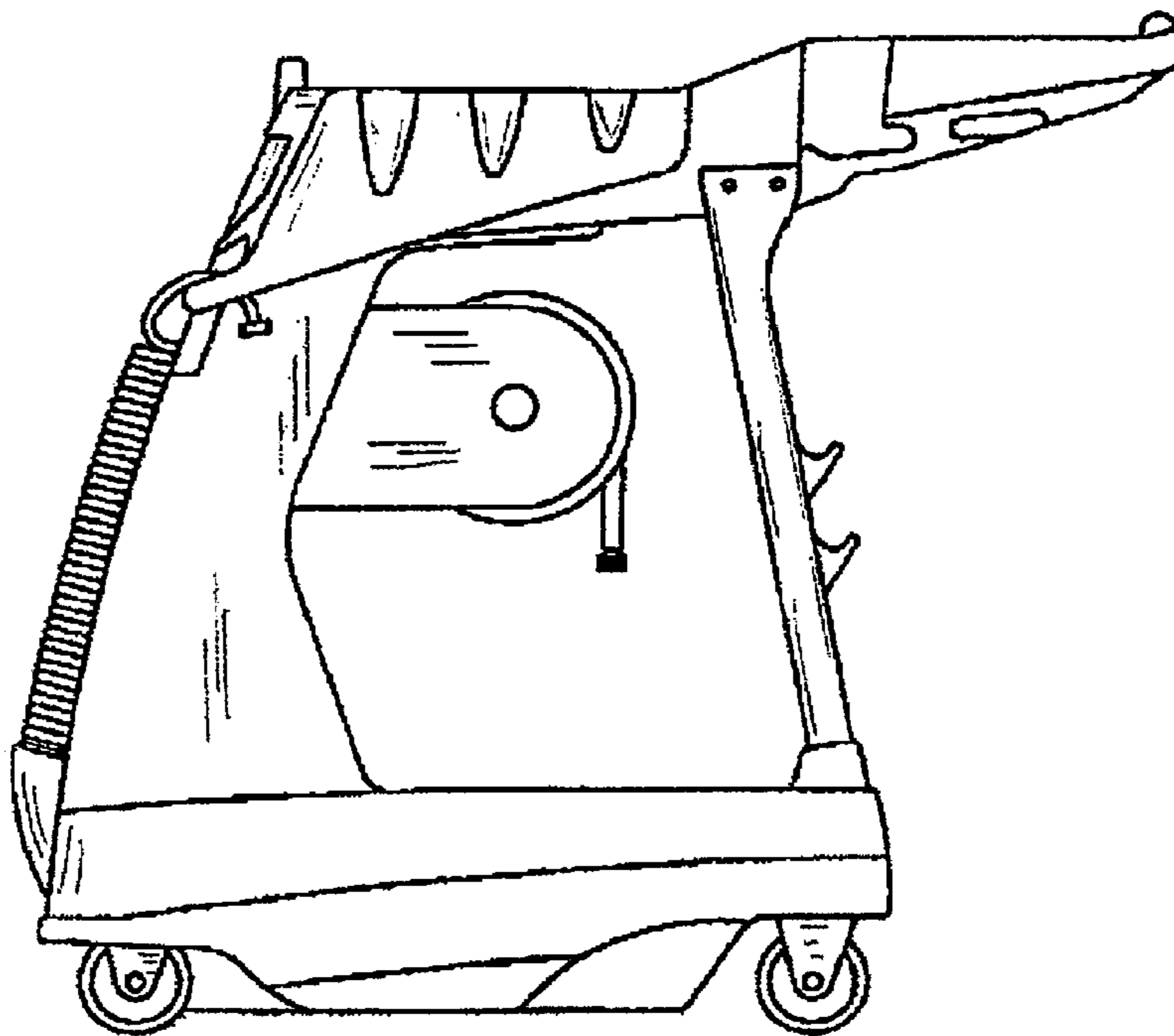


FIG. 4

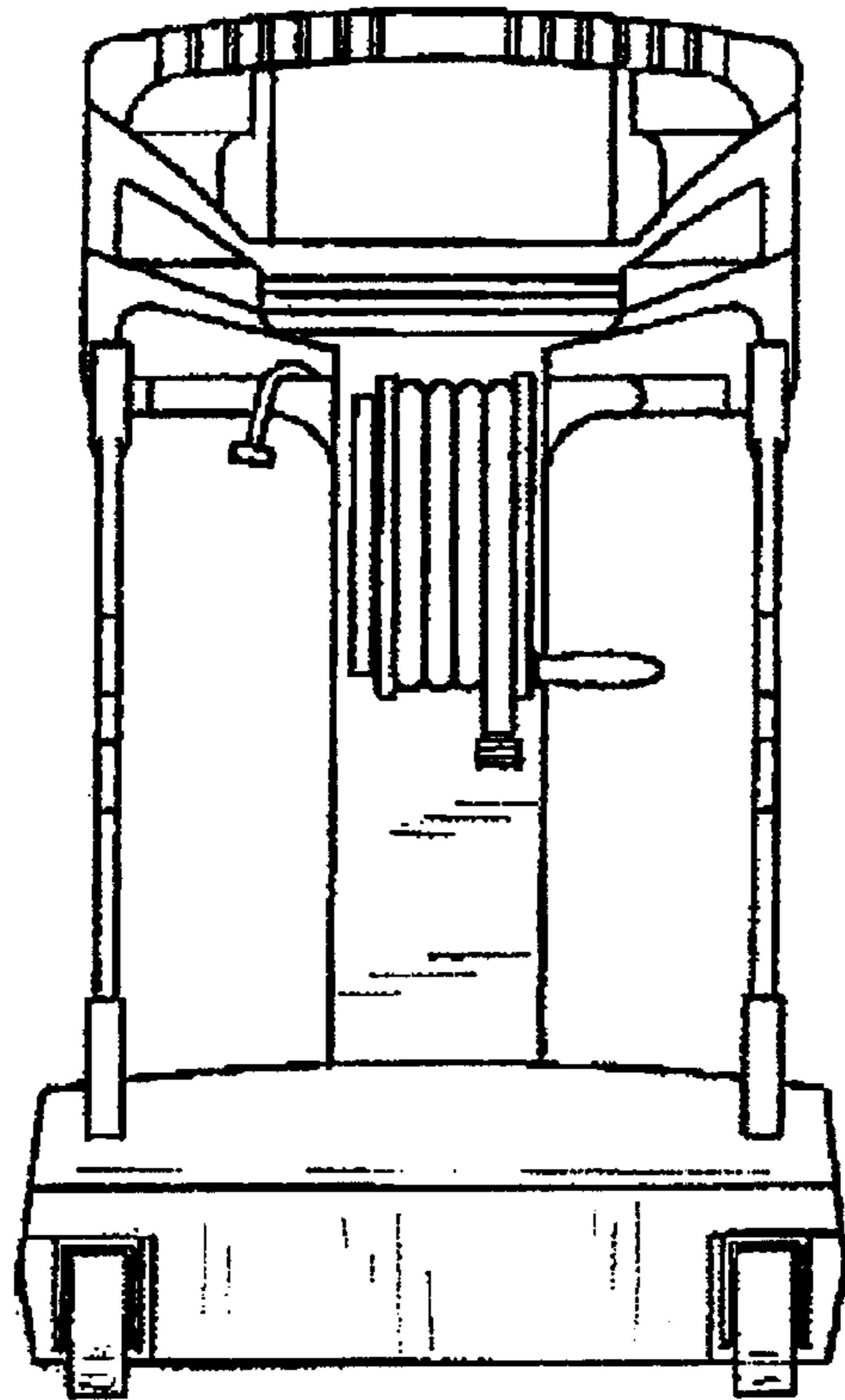


FIG. 5



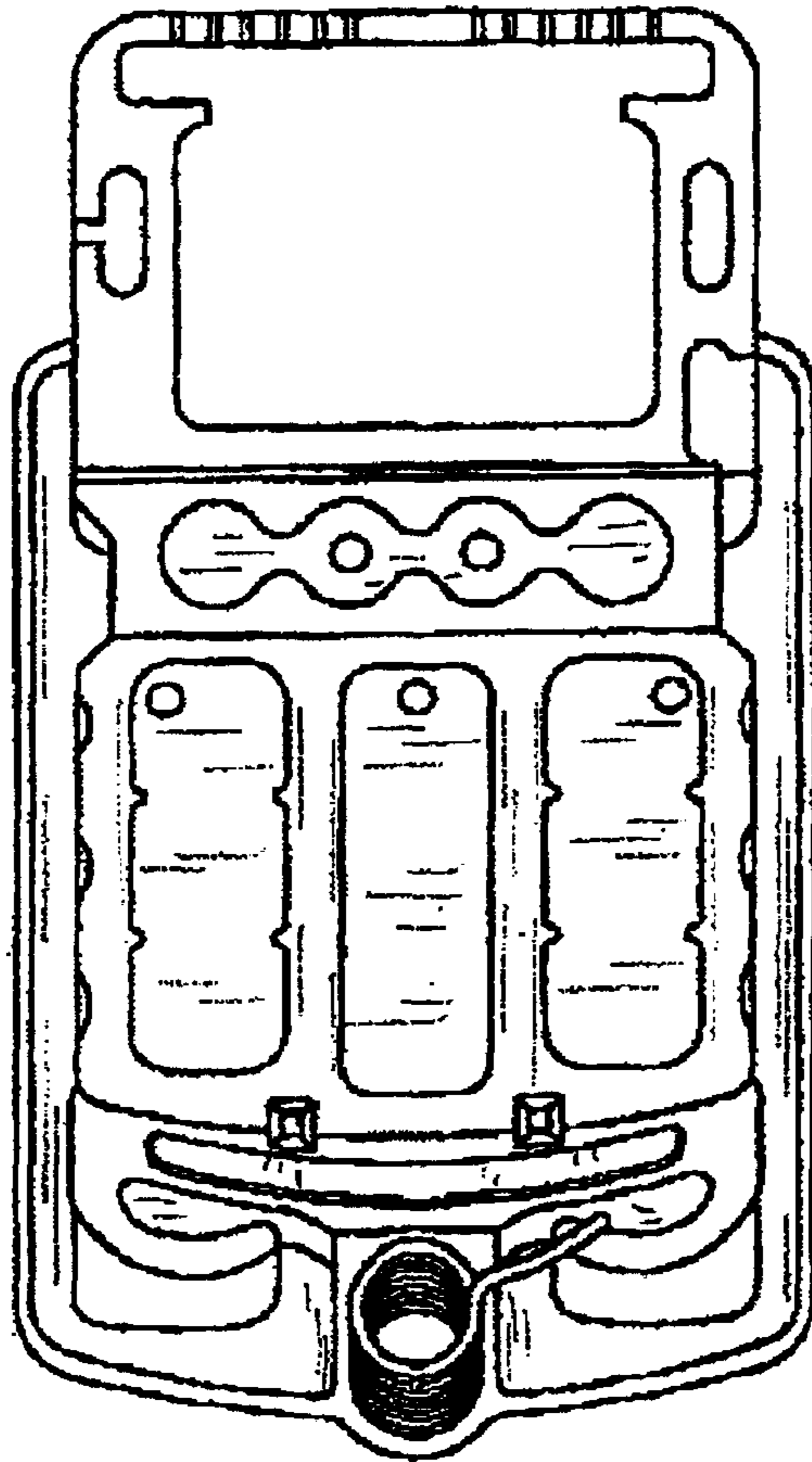


FIG. 6