



US00D533704S

(12) **United States Design Patent**
Kao

(10) **Patent No.:** **US D533,704 S**

(45) **Date of Patent:** **** Dec. 12, 2006**

(54) **WASTE CONTAINER**

(76) Inventor: **I-Feng Kao**, No. 200, Shiho Rd., West District, Tainan (TW)

(**) Term: **14 Years**

(21) Appl. No.: **29/224,021**

(22) Filed: **Feb. 23, 2005**

(30) **Foreign Application Priority Data**

Aug. 26, 2004 (TW) 93305080

(51) **LOC (8) Cl.** **09-09**

(52) **U.S. Cl.** **D34/9**

(58) **Field of Classification Search** D34/1,
D34/4, 5, 6, 7, 8, 9, 10, 11; 220/908-911,
220/262-264

See application file for complete search history.

(56) **References Cited**

U.S. PATENT DOCUMENTS

- 1,966,323 A * 7/1934 Von Elm 220/263
- D108,642 S * 3/1938 Geibel D34/9
- 2,246,975 A * 6/1941 Geibel 220/23.87
- D503,022 S * 3/2005 Lai D34/9

- D515,763 S * 2/2006 Lin D34/9
- D517,765 S * 3/2006 Lin D34/9
- D517,766 S * 3/2006 Lin D34/9
- D520,208 S * 5/2006 Lin D34/9
- 2004/0164077 A1 * 8/2004 Kuo 220/263

* cited by examiner

Primary Examiner—Cynthia E. Ramirez

(74) *Attorney, Agent, or Firm*—Alan D. Kamrath; Nikolai & Mersereau, P.A.

(57) **CLAIM**

The ornamental design for a waste container, as shown and described.

DESCRIPTION

FIG. 1 is a perspective view of a waste container showing my design;

FIG. 2 is a front elevational view thereof;

FIG. 3 is a rear elevational view thereof;

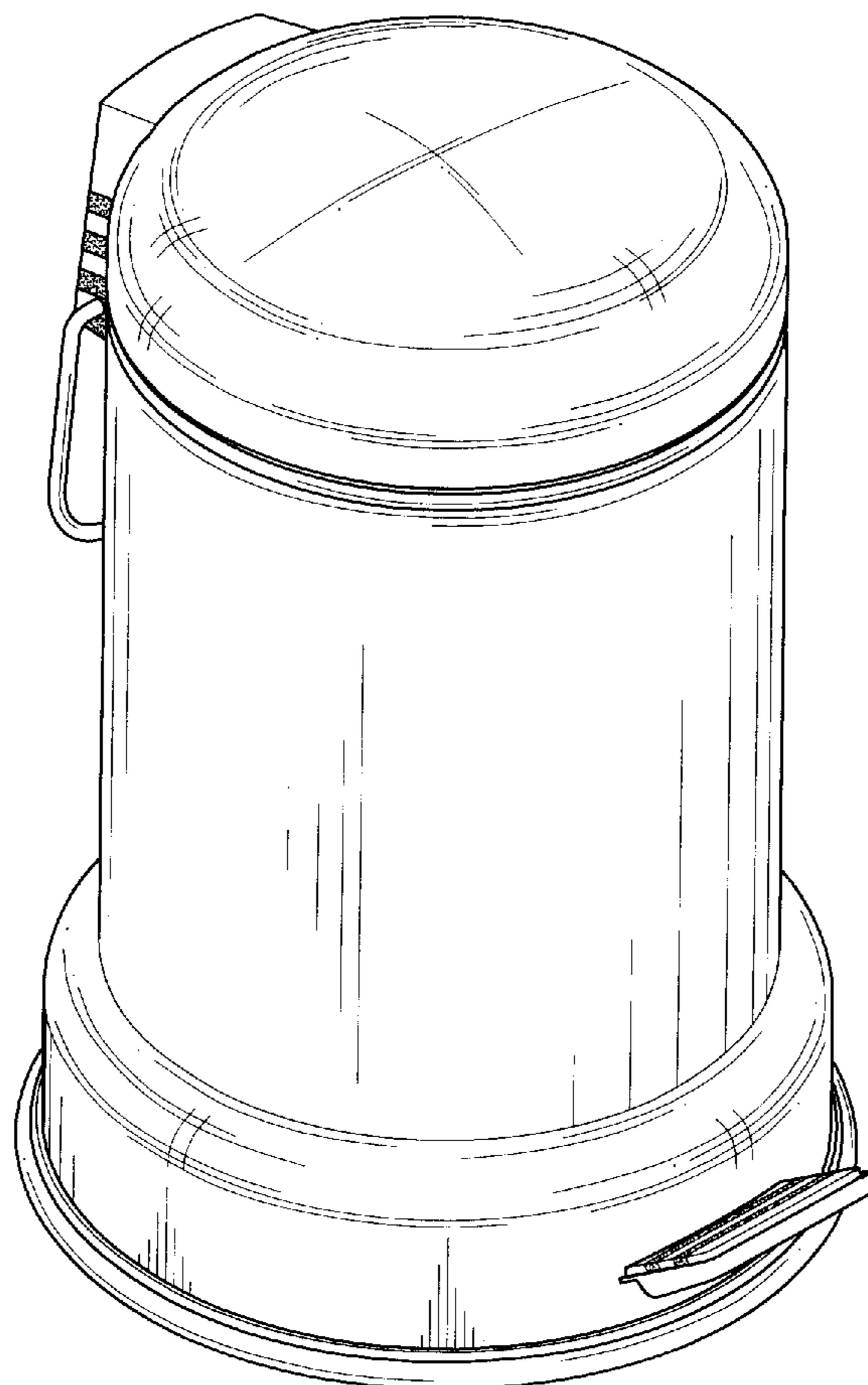
FIG. 4 is a left elevational view thereof;

FIG. 5 is a right elevational view thereof;

FIG. 6 is a top plan view thereof; and,

FIG. 7 is a bottom plan view thereof.

1 Claim, 7 Drawing Sheets



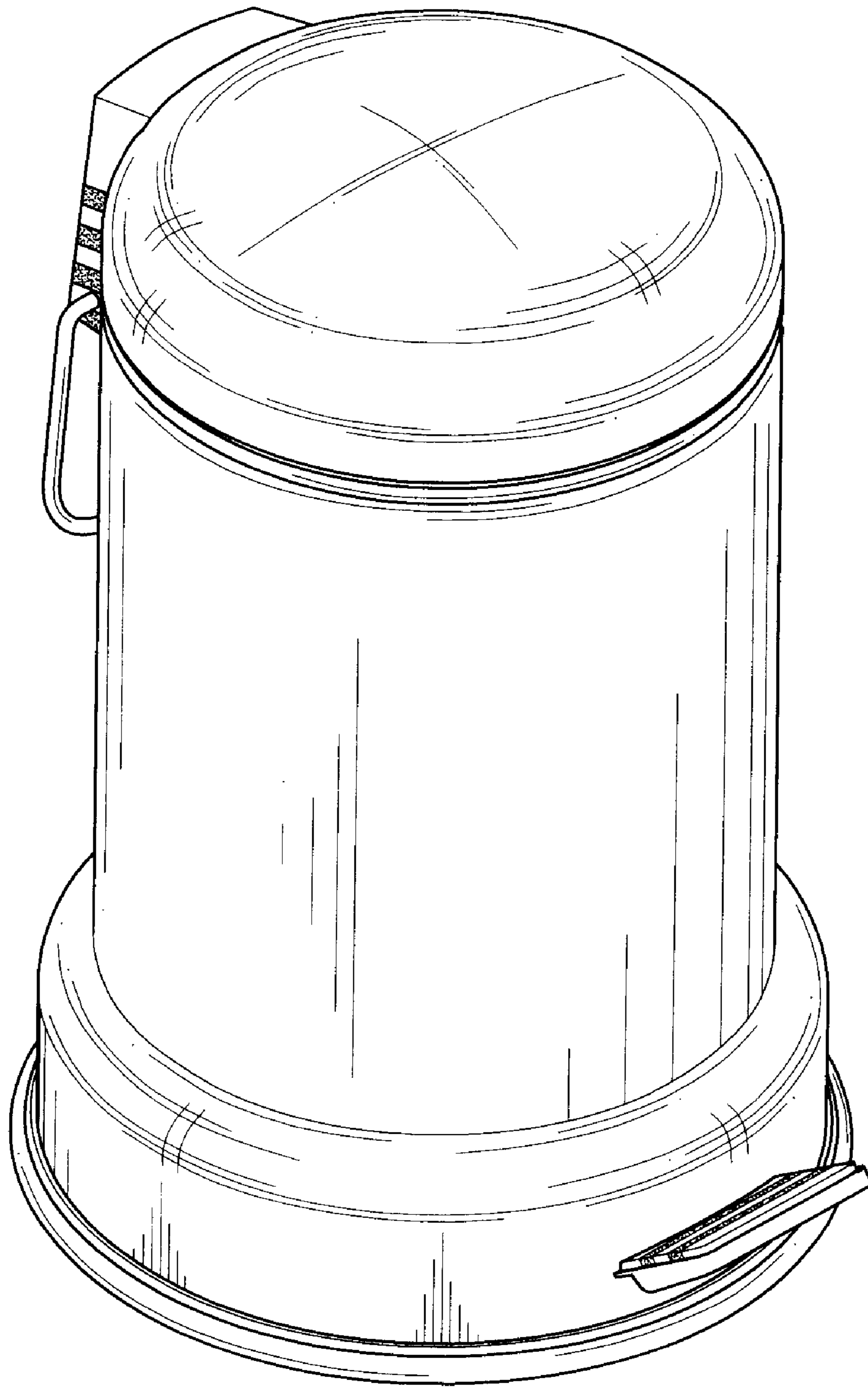


FIG. 1

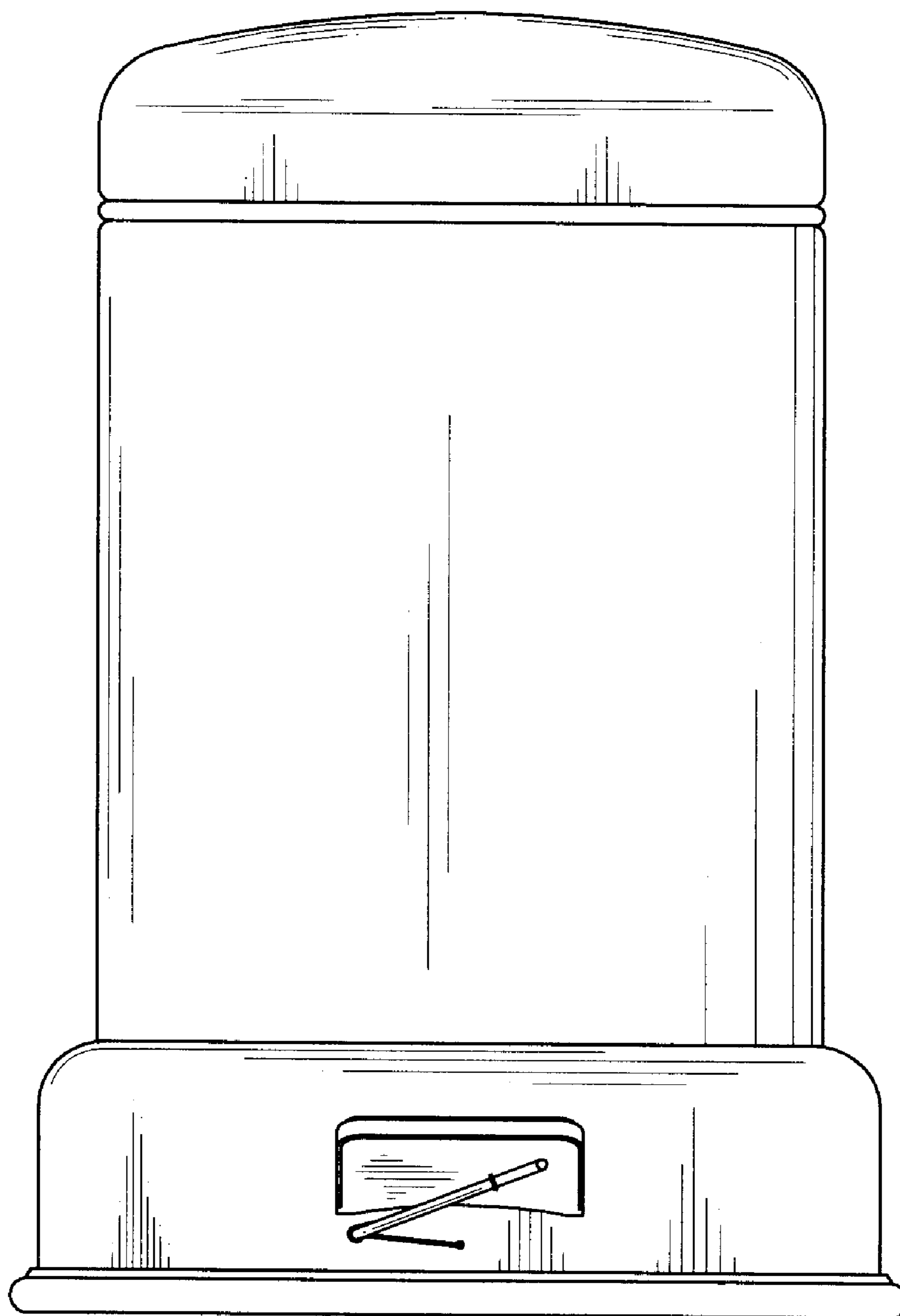


FIG.2

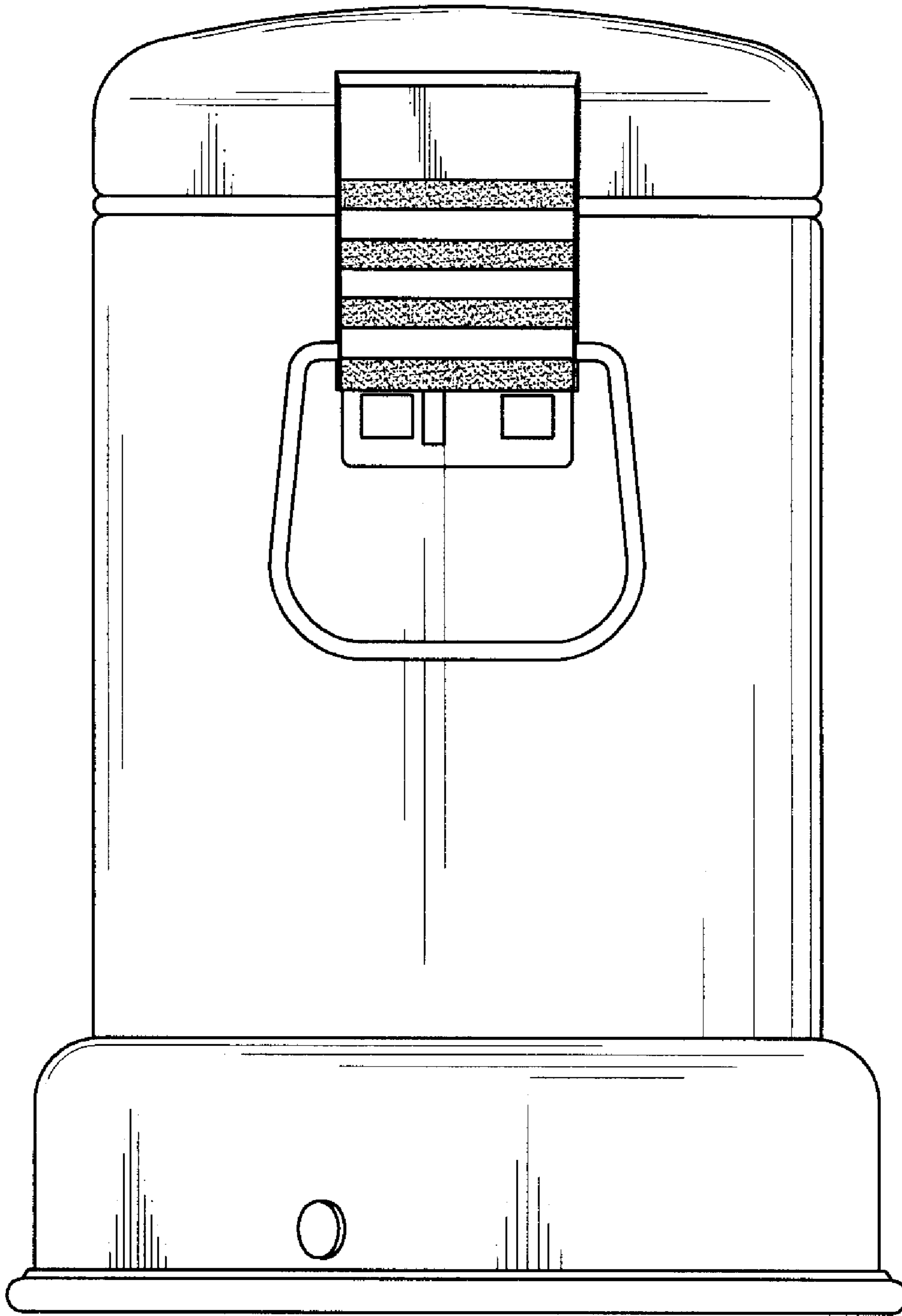


FIG.3

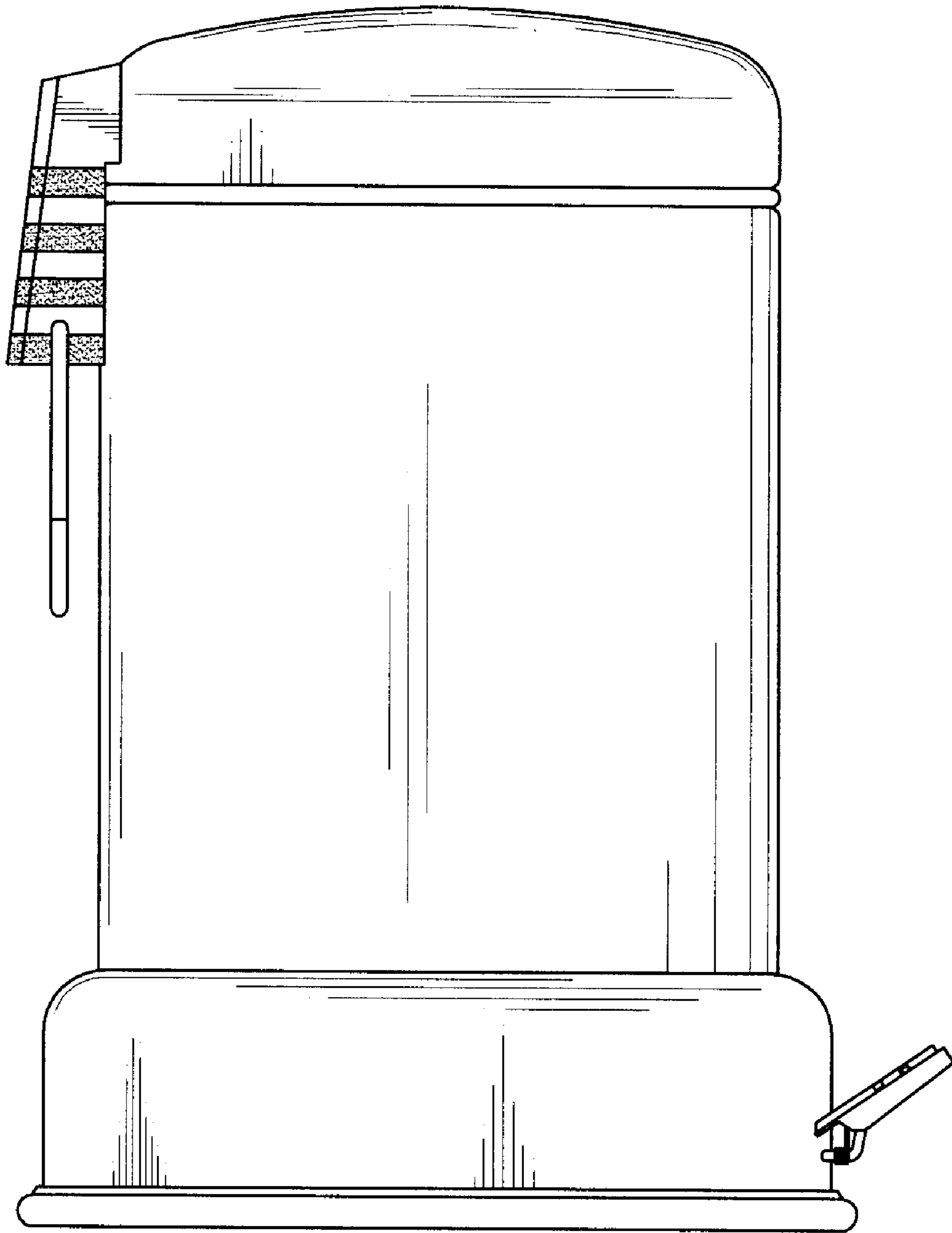


FIG.4

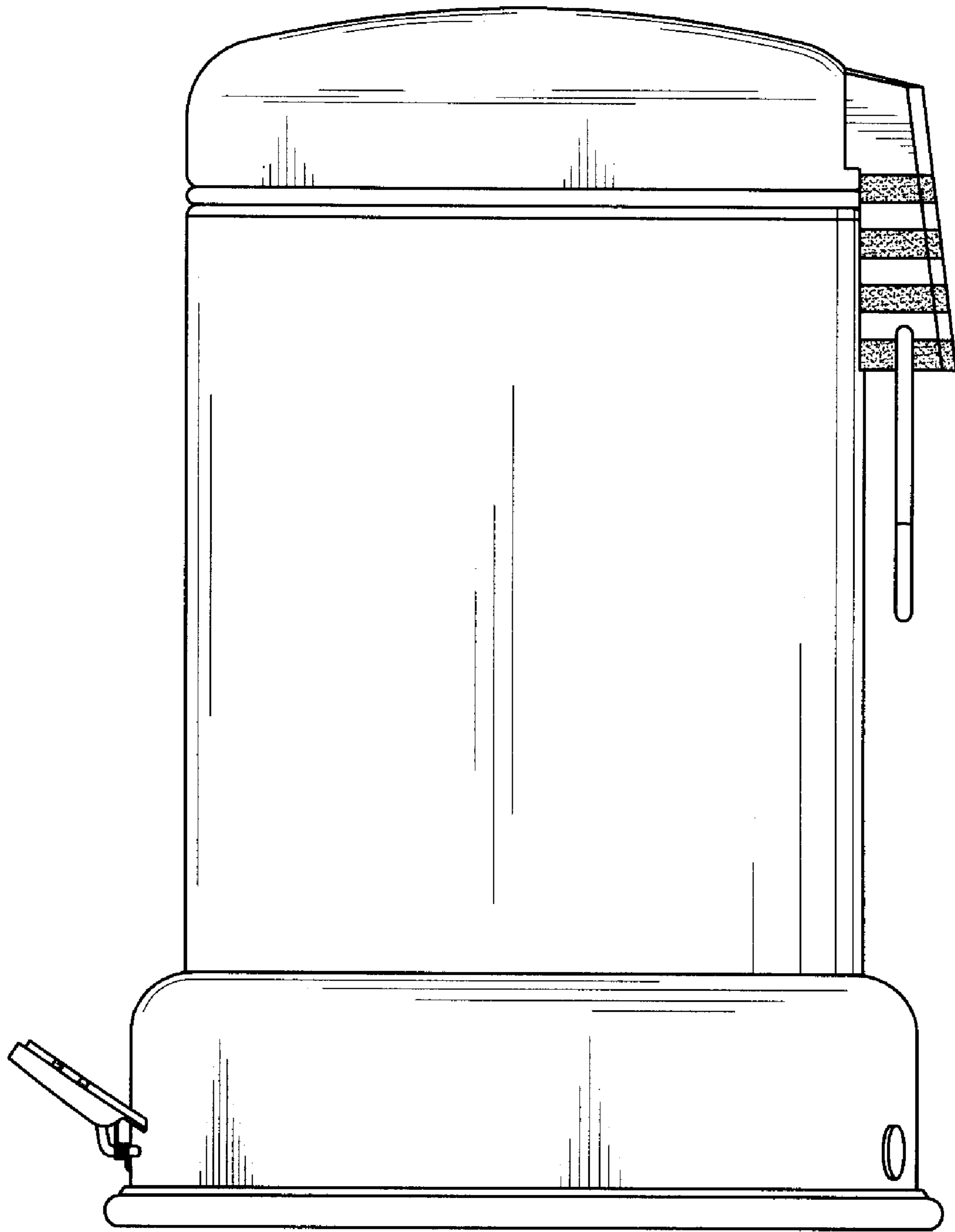


FIG.5

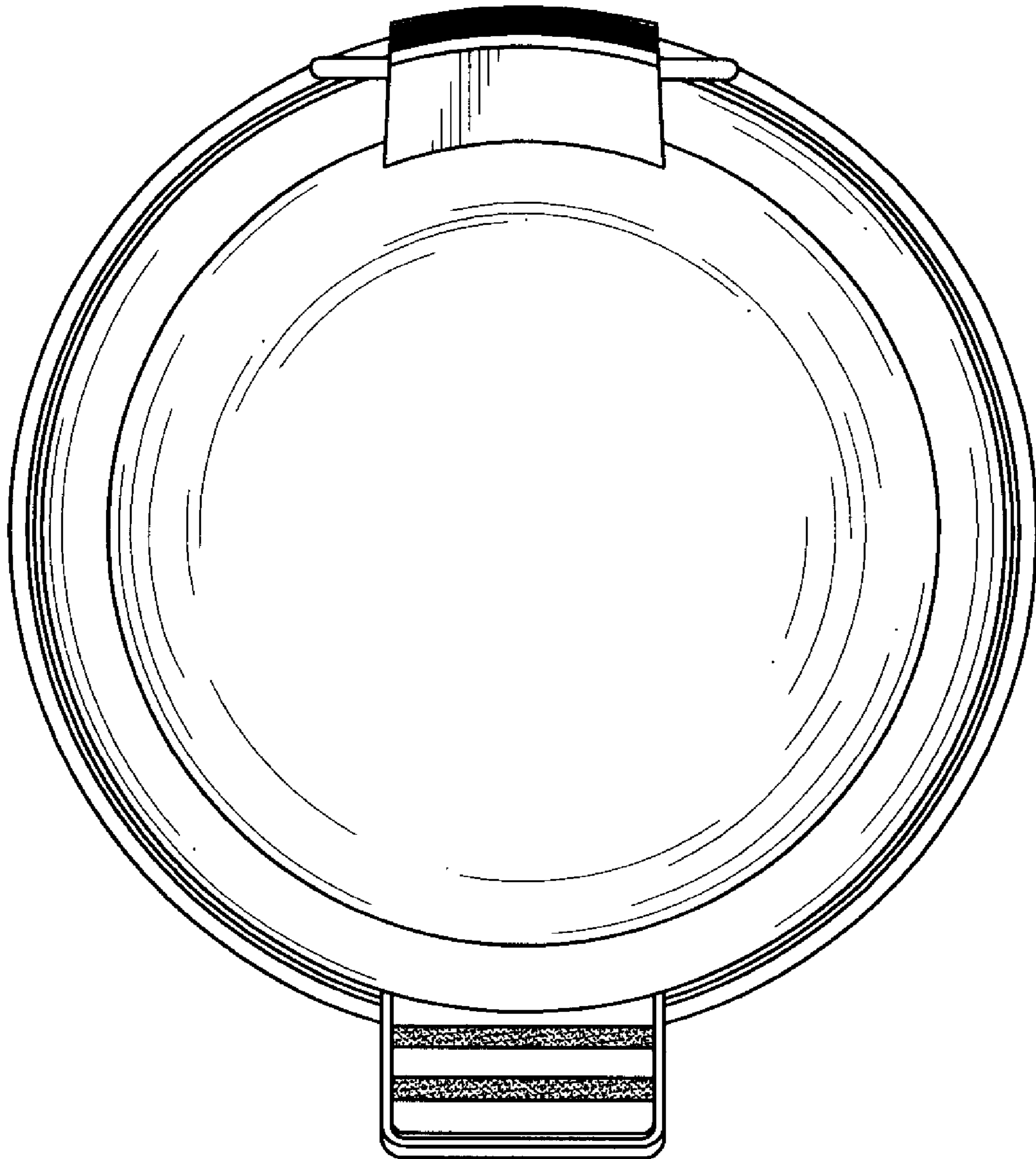


FIG.6

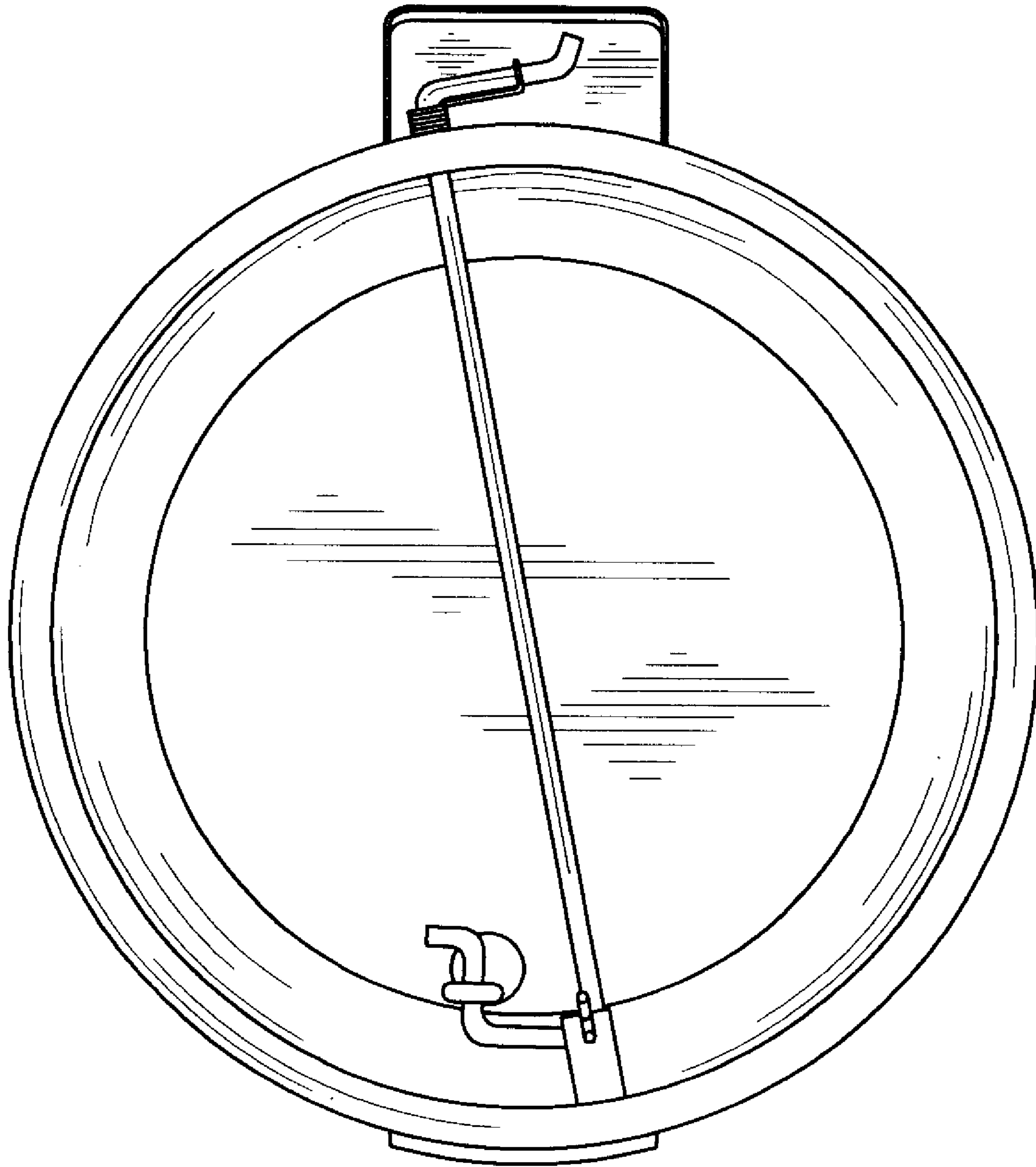


FIG.7