



US00D533699S

(12) **United States Design Patent**
Dyson et al.

(10) **Patent No.: US D533,699 S**

(45) **Date of Patent: ** Dec. 12, 2006**

(54) **HANDLE FOR A SURFACE-TREATING APPLIANCE**

(75) Inventors: **James Dyson**, Dodington (GB);
Alexander Stuart Knox, Wiltshire (GB);
Stuart Lloyd Genn, Wiltshire (GB)

(73) Assignee: **Dyson Limited**, Wiltshire (GB)

(**) Term: **14 Years**

(21) Appl. No.: **29/240,143**

(22) Filed: **Oct. 11, 2005**

(51) **LOC (8) Cl.** **15-05**

(52) **U.S. Cl.** **D32/34**

(58) **Field of Classification Search** D32/21,
D32/22-23, 31, 34; 15/320-321, 327.1, 327.2,
15/323, 329, 334-335, 347, 350, 351, 353,
15/361, 410-411, DIG. 10; 55/346, DIG. 3,
55/459.1, 337, 429; 95/271

See application file for complete search history.

(56) **References Cited**

U.S. PATENT DOCUMENTS

4,720,890 A * 1/1988 Jacob 15/323
D315,043 S * 2/1991 Hayden D32/34

D333,023 S * 2/1993 Herron, Jr. D32/34
D334,447 S * 3/1993 Rohn D32/34
D406,422 S * 3/1999 Burchard et al. D32/34
D426,038 S * 5/2000 Essex et al. D32/34
D428,677 S * 7/2000 Saunders et al. D32/34
D430,369 S * 8/2000 Medema et al. D32/34
6,526,623 B1 * 3/2003 Dyson 15/334
7,000,288 B1 * 2/2006 Nighy 15/327.1

* cited by examiner

Primary Examiner—Ruth McInroy

(74) *Attorney, Agent, or Firm*—Morrison & Foerster LLP

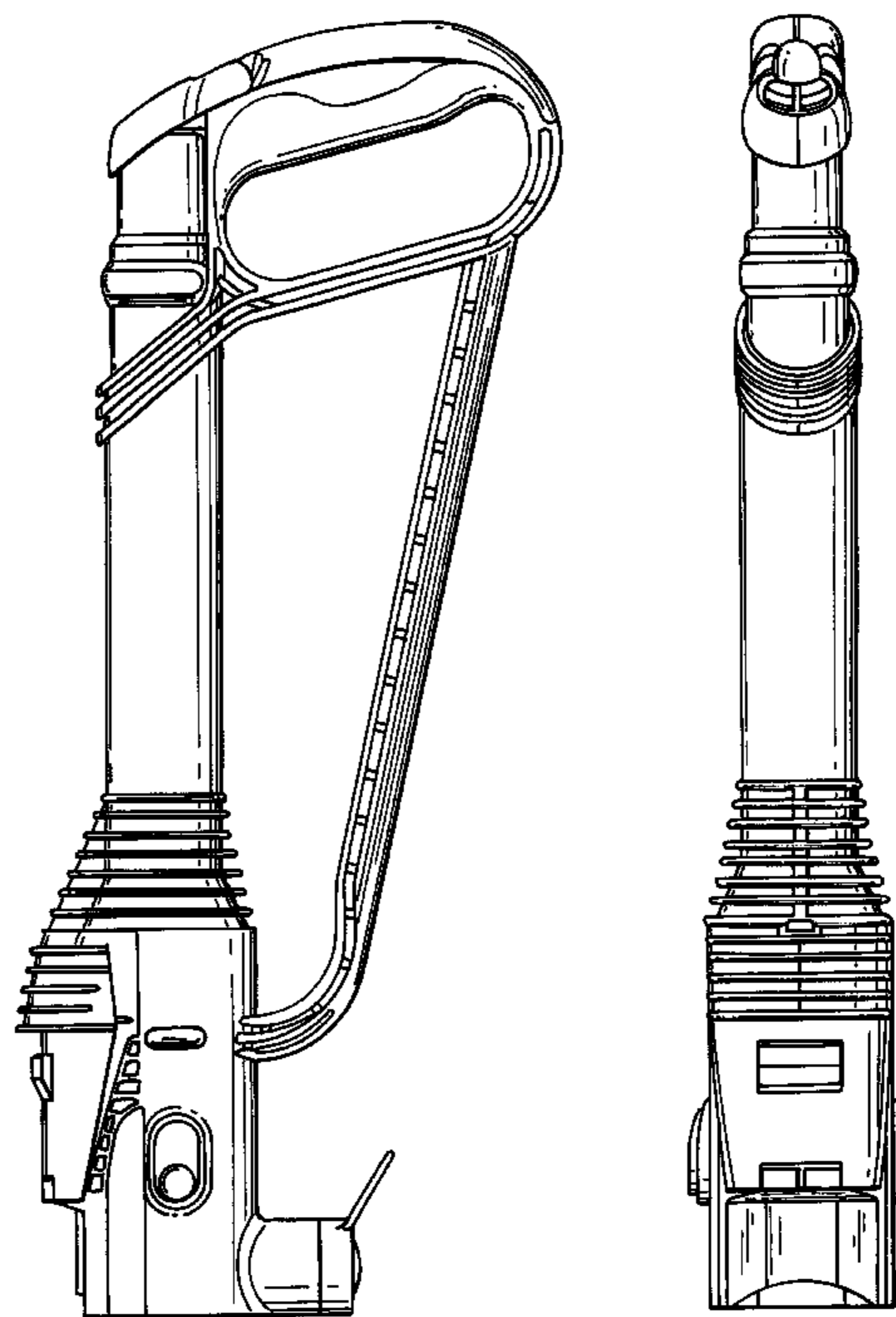
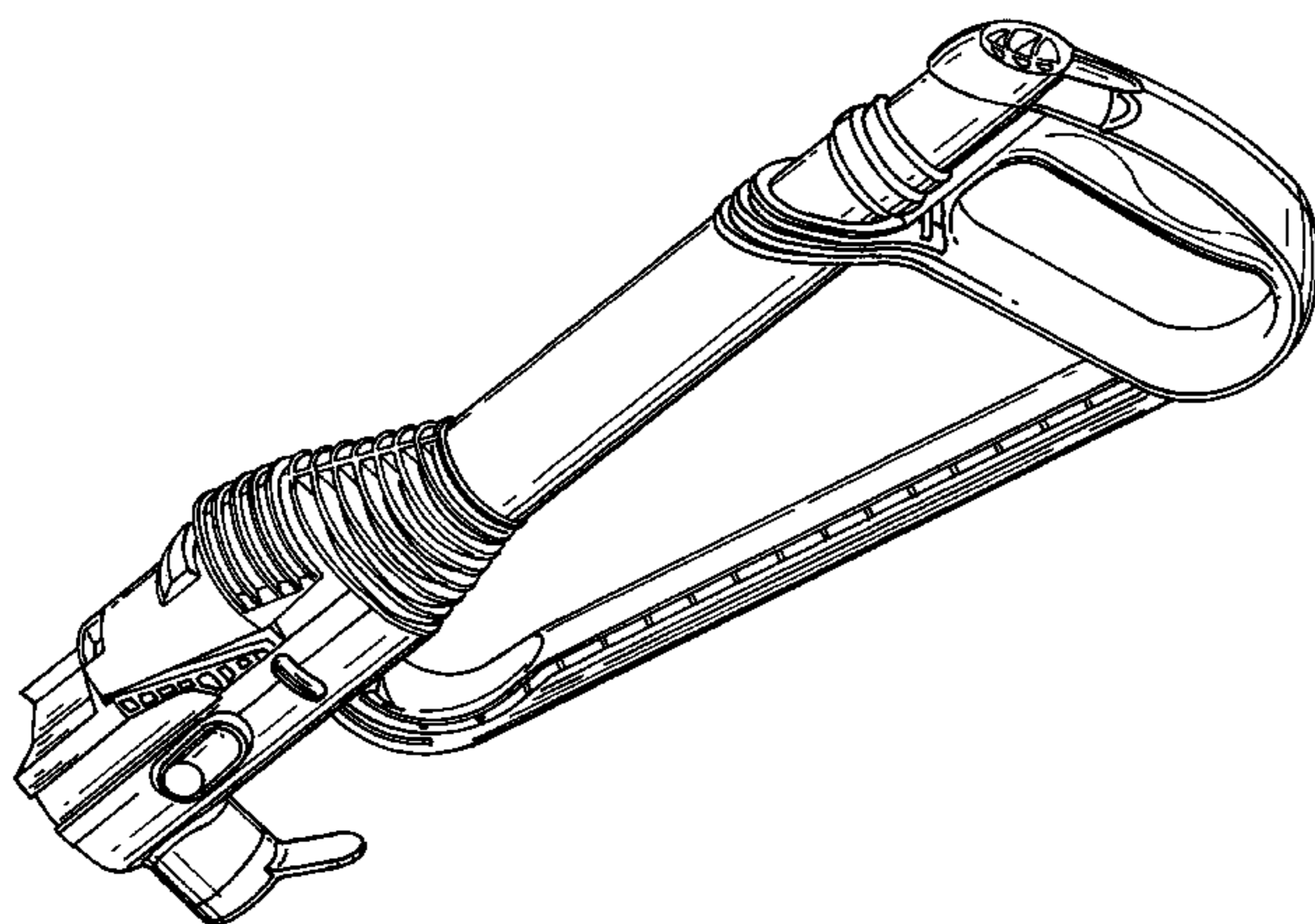
(57) **CLAIM**

We claim the ornamental design for a handle for a surface-treating appliance, as shown and described.

DESCRIPTION

FIG. 1 is a front and side perspective view of a handle for a surface-treating appliance showing my new design;
FIG. 2 is top plan view thereof;
FIG. 3 is a bottom plan view thereof;
FIG. 4 is a right side view thereof;
FIG. 5 is a left side view thereof;
FIG. 6 is a front view thereof; and,
FIG. 7 is a rear view thereof.

1 Claim, 7 Drawing Sheets



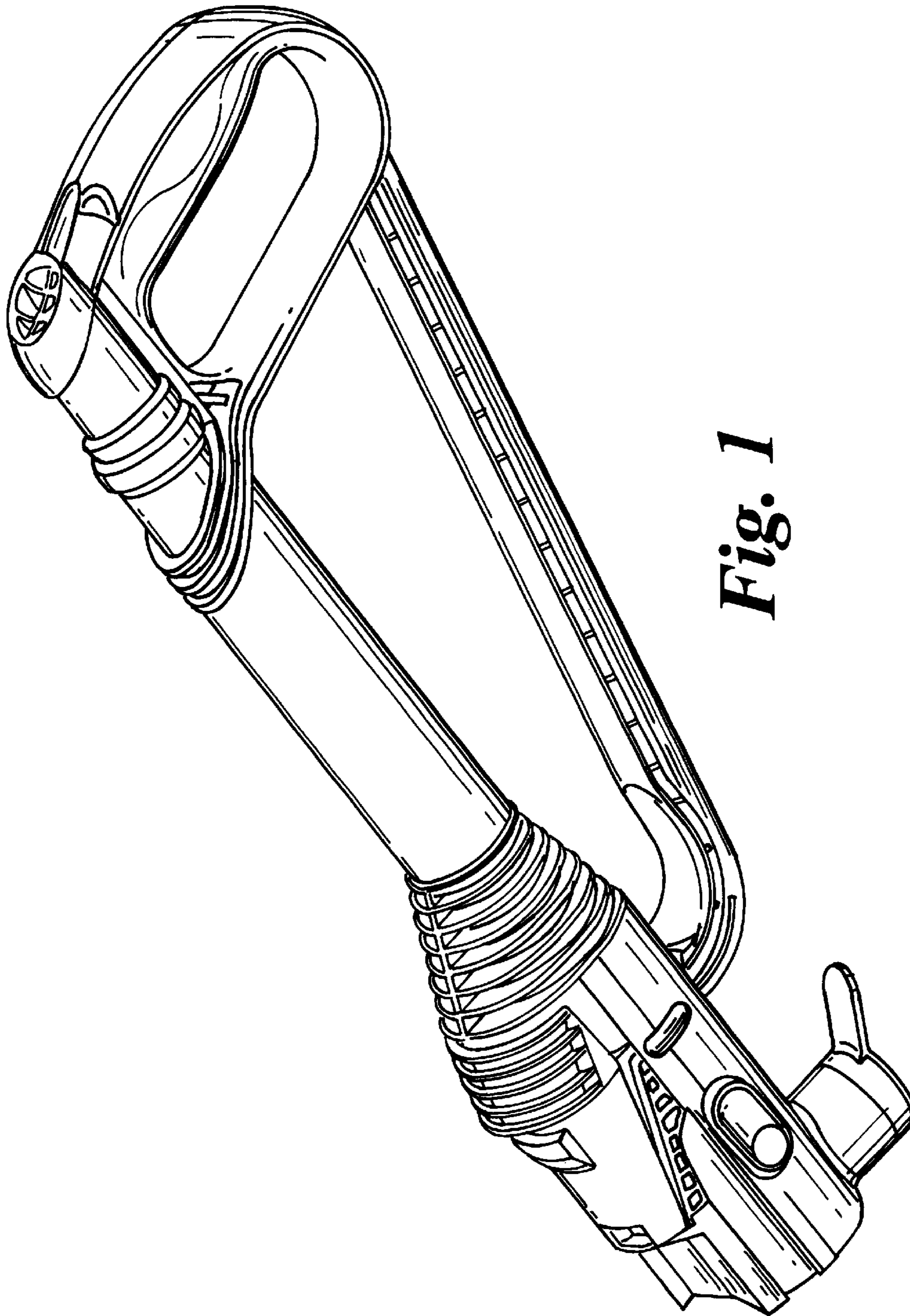


Fig. 1

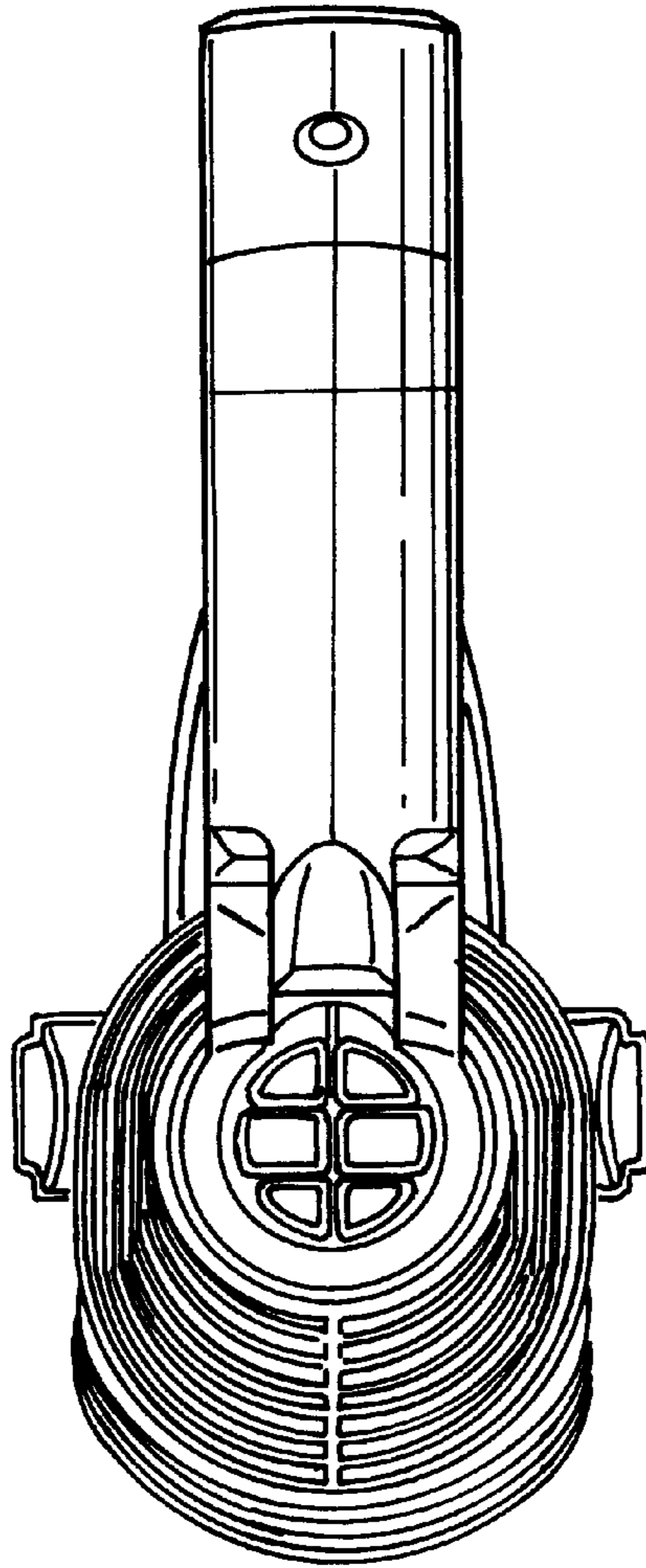


Fig. 2

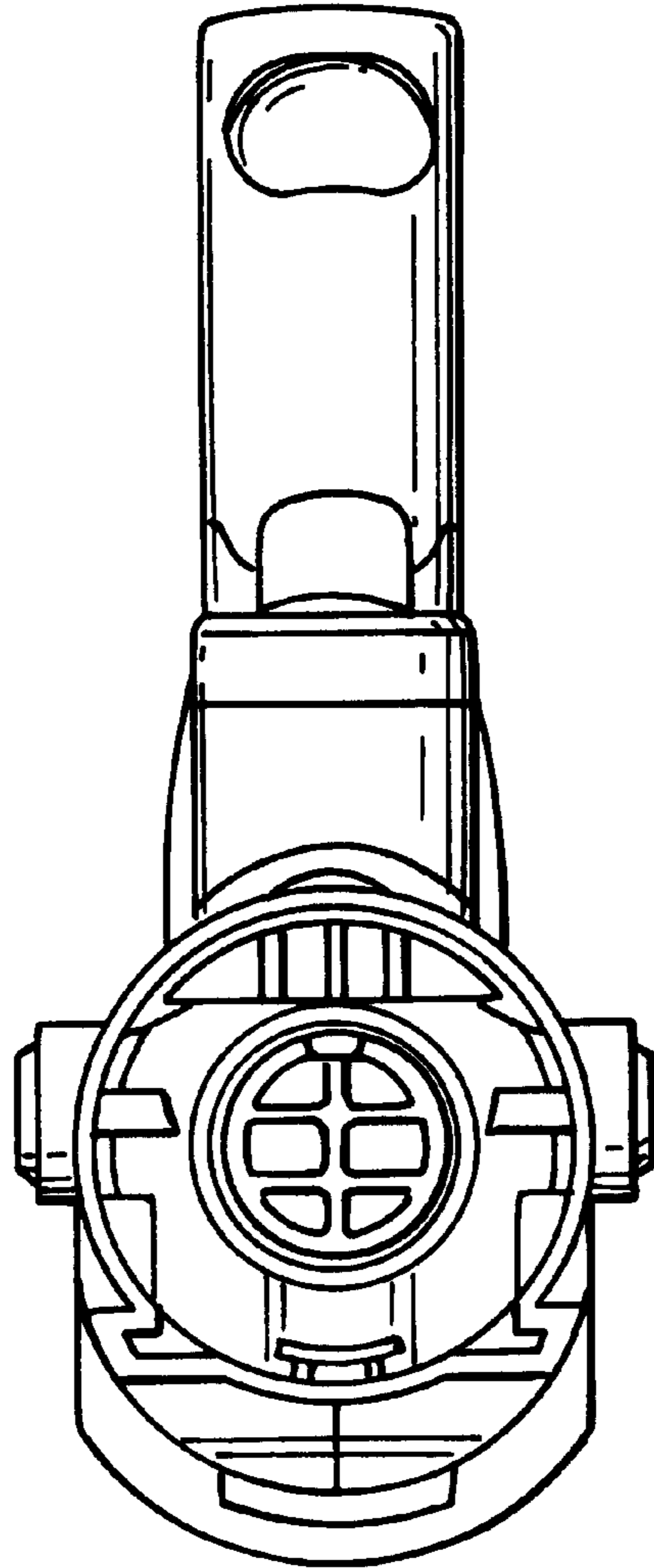


Fig. 3

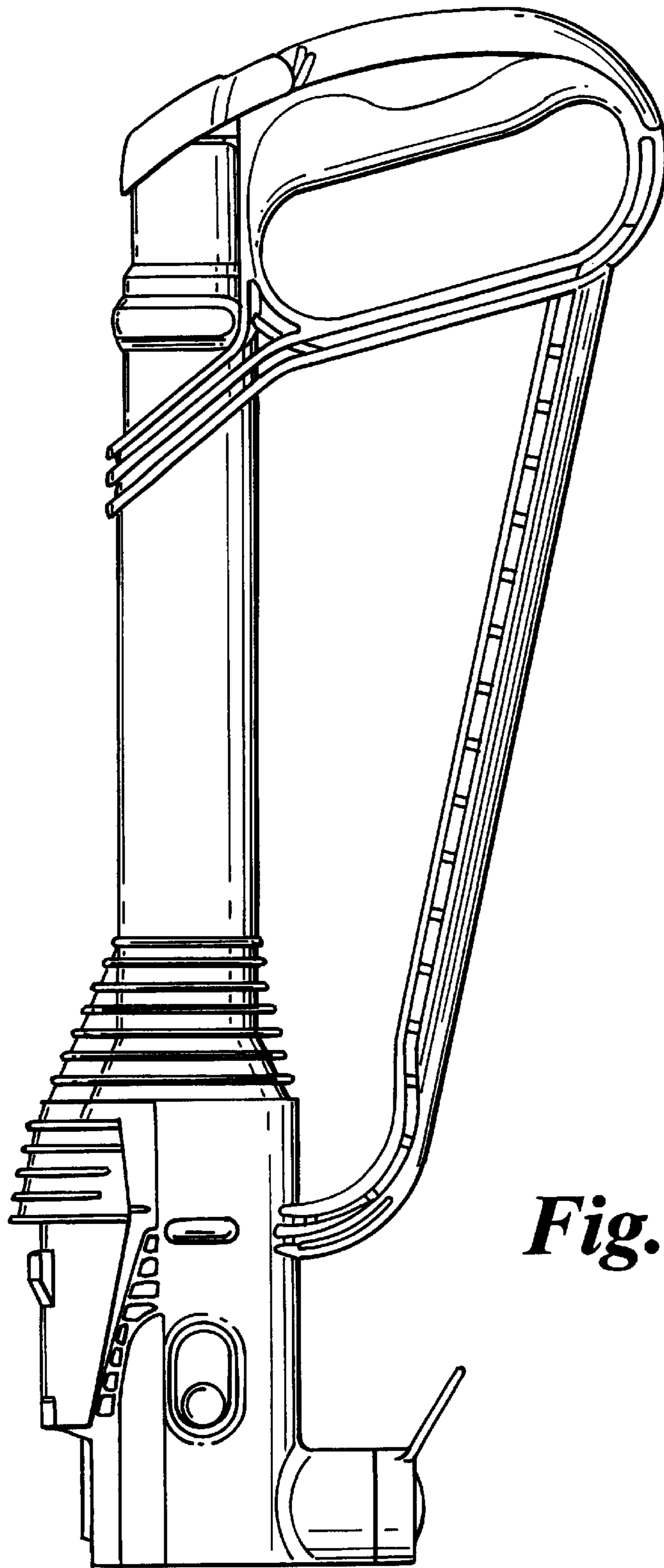
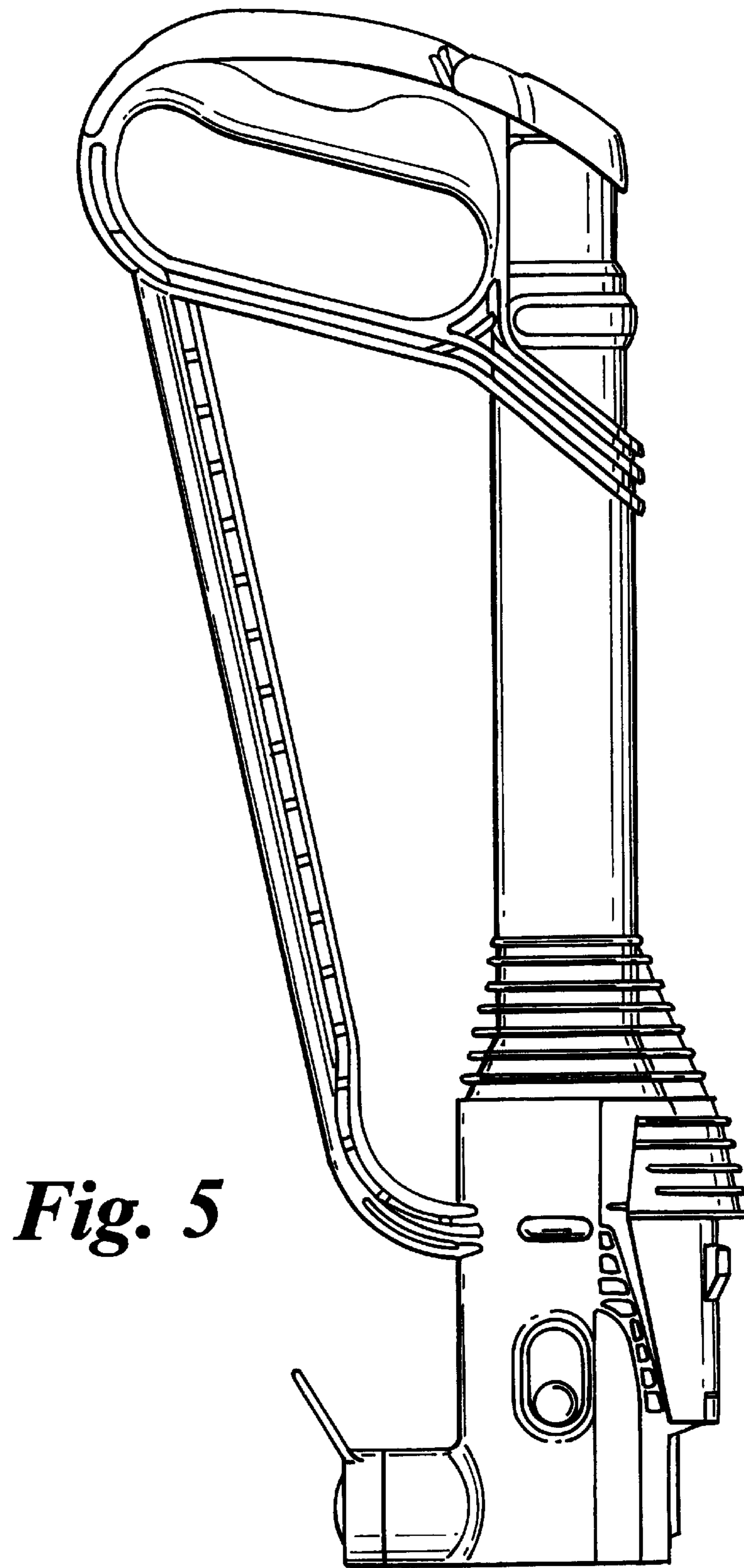


Fig. 4



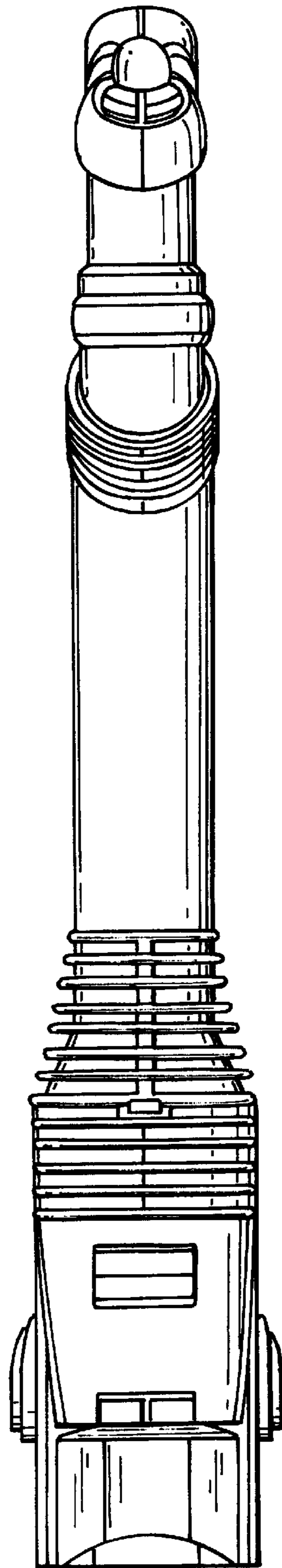


Fig. 6

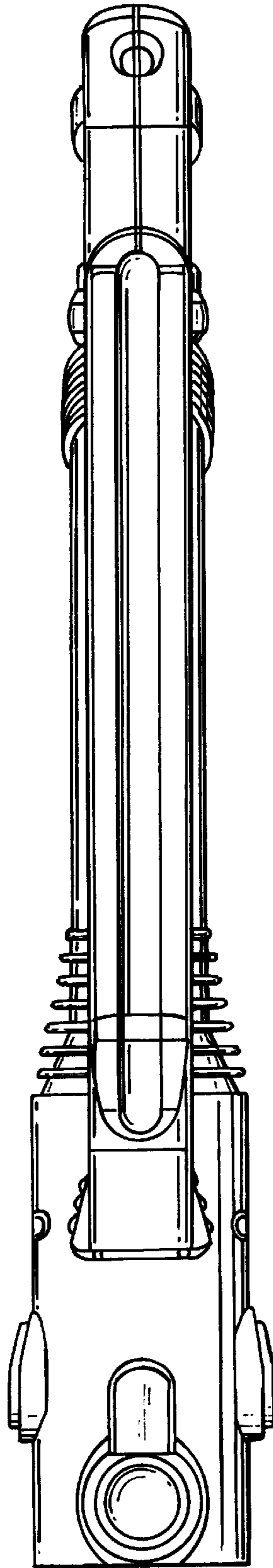


Fig. 7