

US00D533698S

(12) **United States Design Patent**
Medema et al.

(10) **Patent No.:** **US D533,698 S**

(45) **Date of Patent:** **** Dec. 12, 2006**

(54) **VACUUM CLEANER BASE PORTION**

(75) Inventors: **Douglas J. Medema**, Belding, MI (US); **Kevin T. Downey**, Grand Rapids, MI (US); **Mitchell E. Auerbach**, Grand Haven, MI (US)

(73) Assignee: **Bissell Homecare, Inc.**, Grand Rapids, MI (US)

(**) Term: **14 Years**

(21) Appl. No.: **29/225,498**

(22) Filed: **Mar. 16, 2005**

(51) **LOC (8) Cl.** **15-05**

(52) **U.S. Cl.** **D32/32**

(58) **Field of Classification Search** D32/21, D32/22-23, 31, 34; 15/320-321, 327.1, 327.2, 15/323, 329, 334-335, 347, 350, 351, 353, 15/361, 410-411, DIG. 10; 55/346, DIG. 3, 55/459.1, 337, 429; 95/271

See application file for complete search history.

(56) **References Cited**

U.S. PATENT DOCUMENTS

D385,072 S 10/1997 Bradd

D387,522 S * 12/1997 Medema D32/31
D393,112 S 3/1998 Essex et al.
D406,928 S 3/1999 Rowley et al.
D420,179 S * 2/2000 Medema et al. D32/31
D431,887 S * 10/2000 Bradd et al. D32/31
D439,380 S 3/2001 Medema et al.
D439,384 S * 3/2001 Medema D32/32
D470,982 S * 2/2003 Zahuranec et al. D32/31
D472,353 S * 3/2003 Zahuranec et al. D32/31

* cited by examiner

Primary Examiner—Ruth McInroy

(74) *Attorney, Agent, or Firm*—McGarry Bair PC

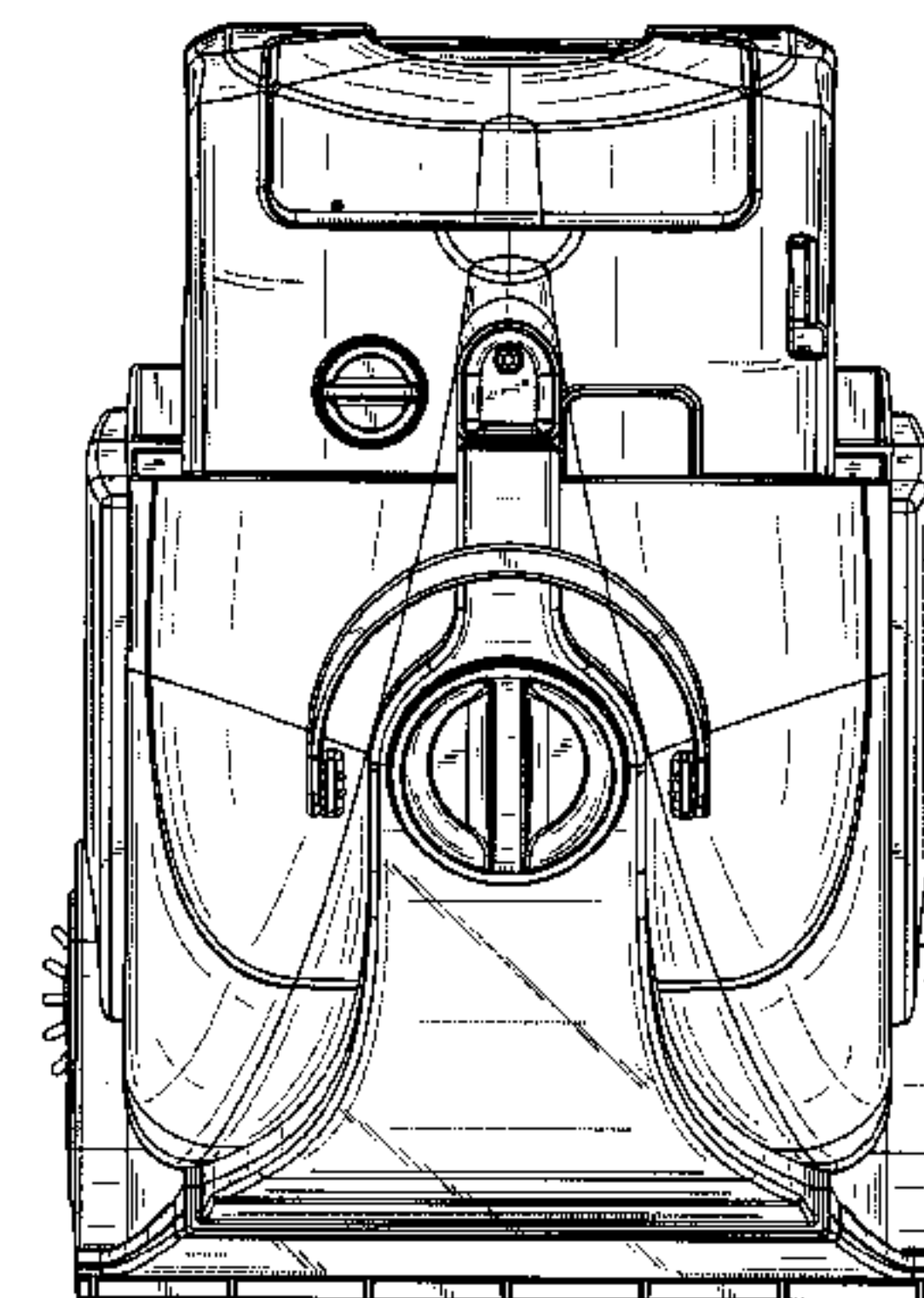
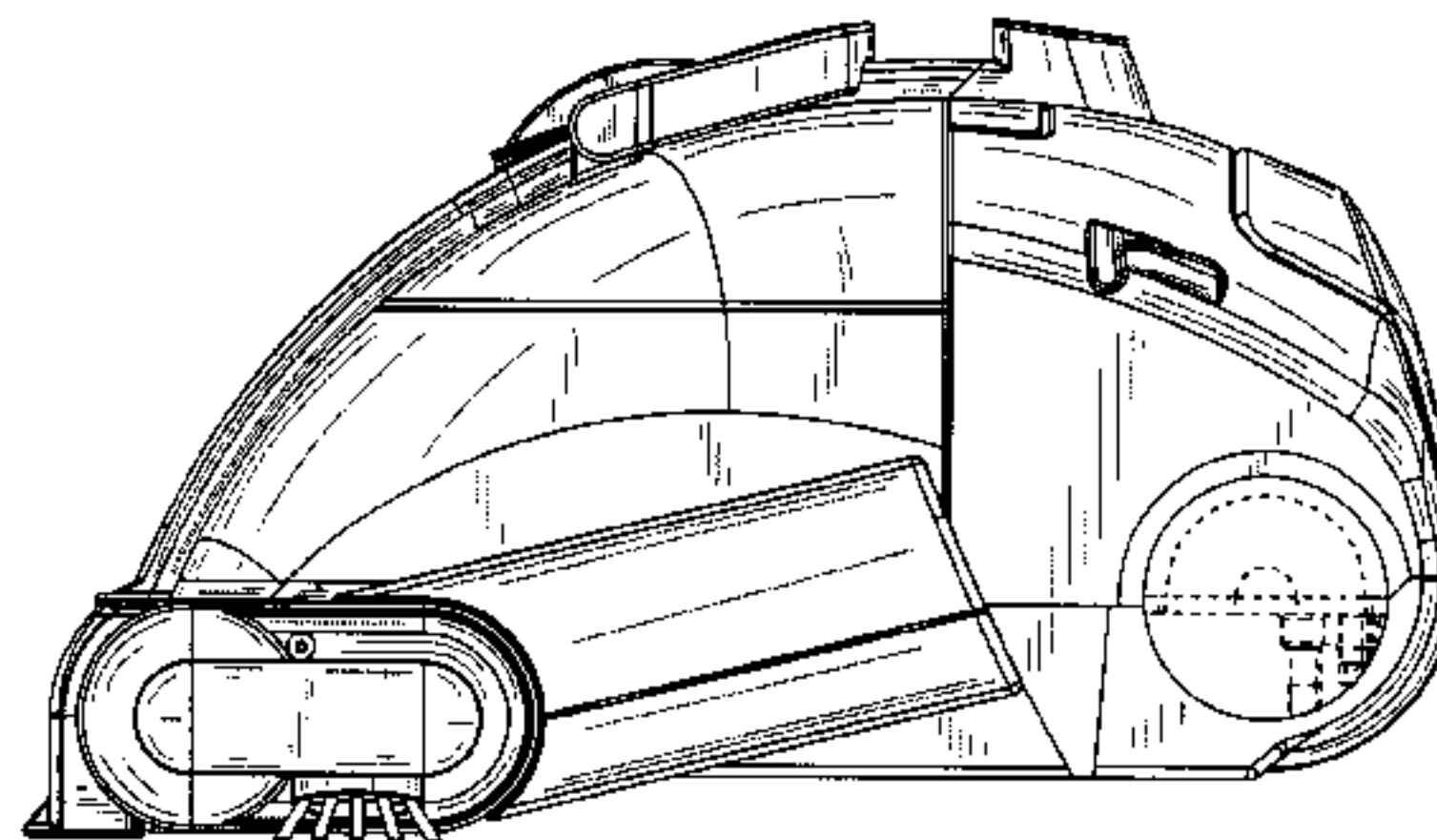
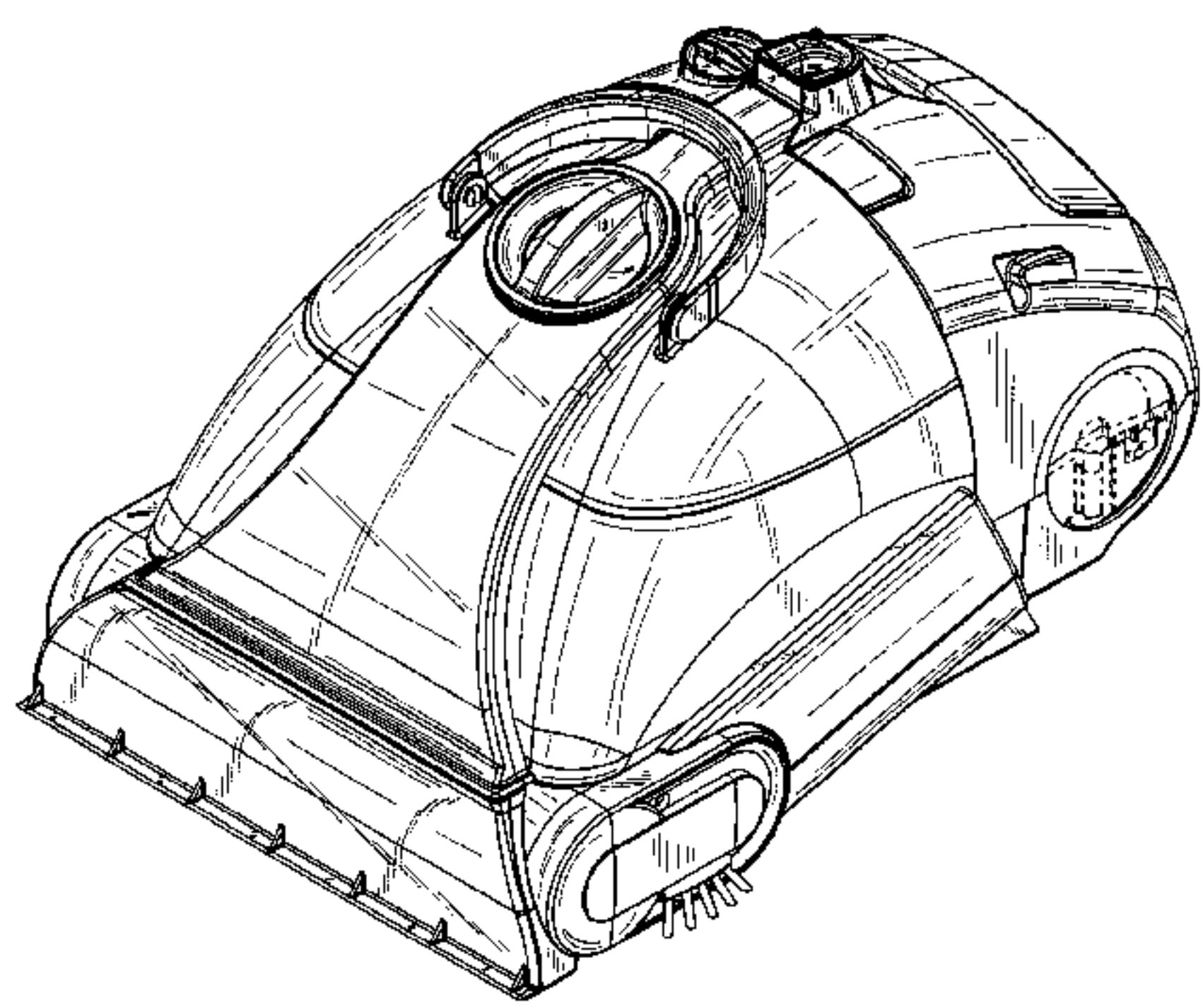
(57) **CLAIM**

The ornamental design for a vacuum cleaner base portion, as shown and described.

DESCRIPTION

FIG. 1 is a front perspective view of a vacuum cleaner base portion which embodies our design; FIG. 2 is a front view thereof; FIG. 3 is a rear view thereof; FIG. 4 is a left side view thereof; FIG. 5 is a right side view thereof; and, FIG. 6 is a top view.

1 Claim, 4 Drawing Sheets



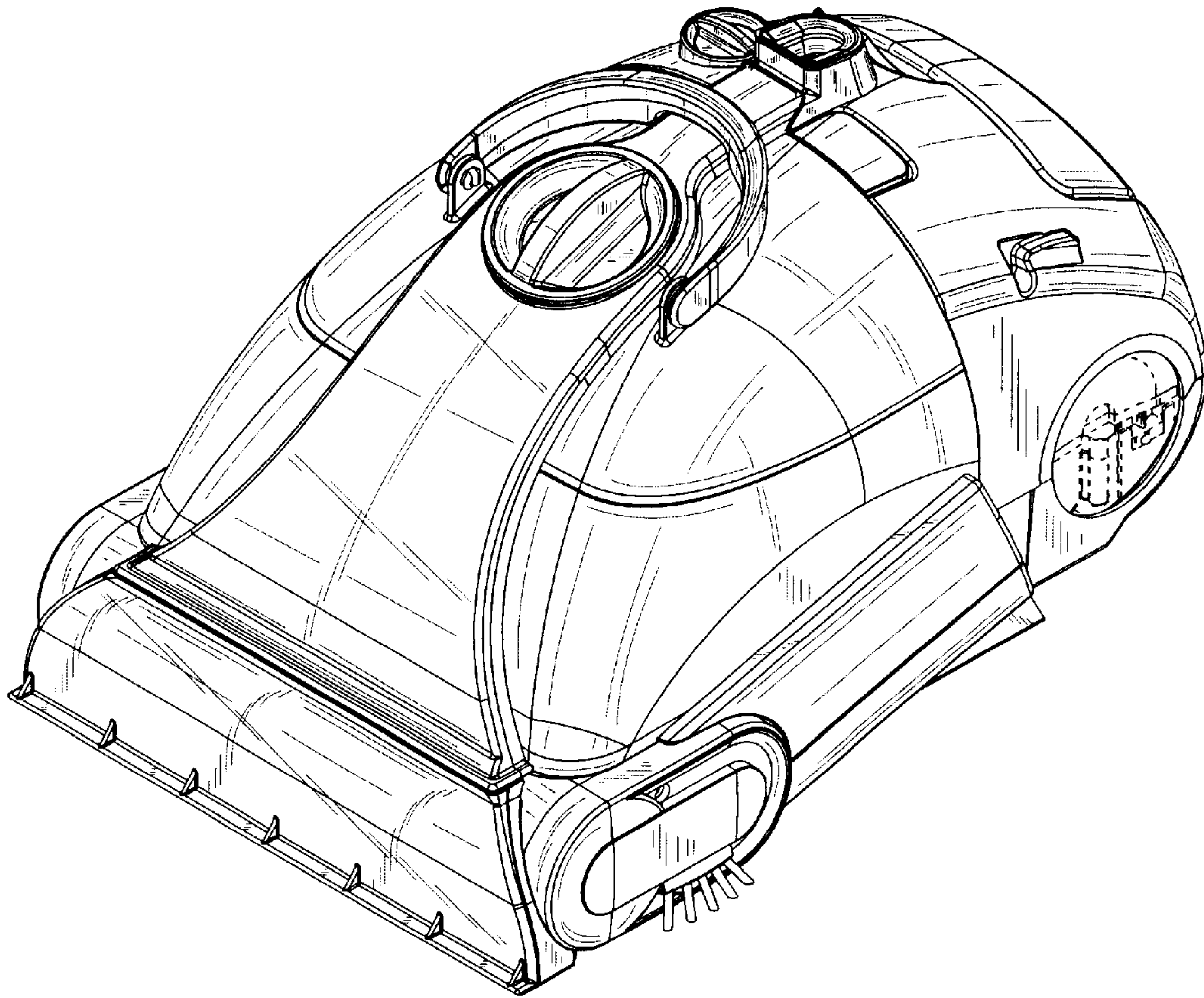


Fig. 1

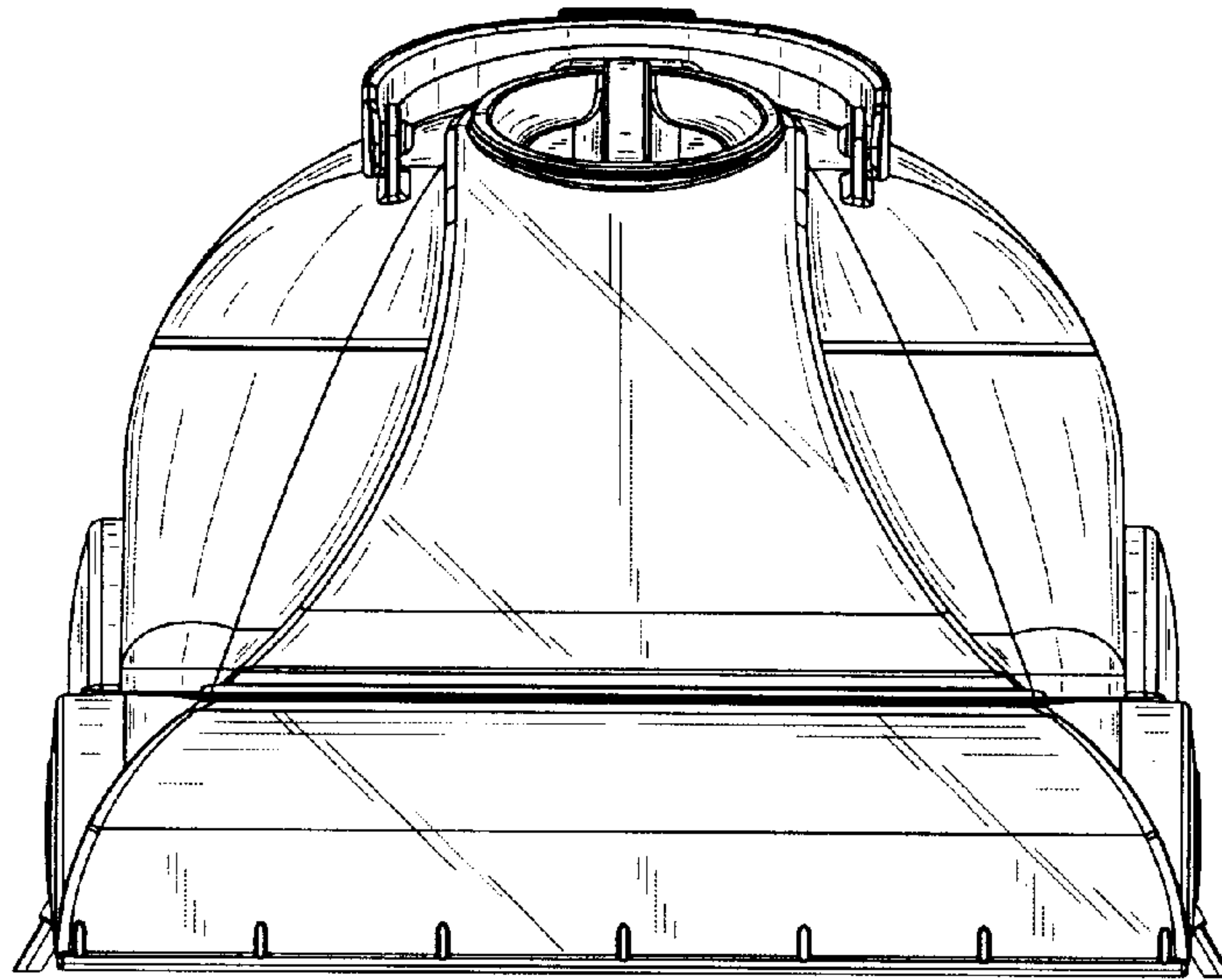


Fig. 2

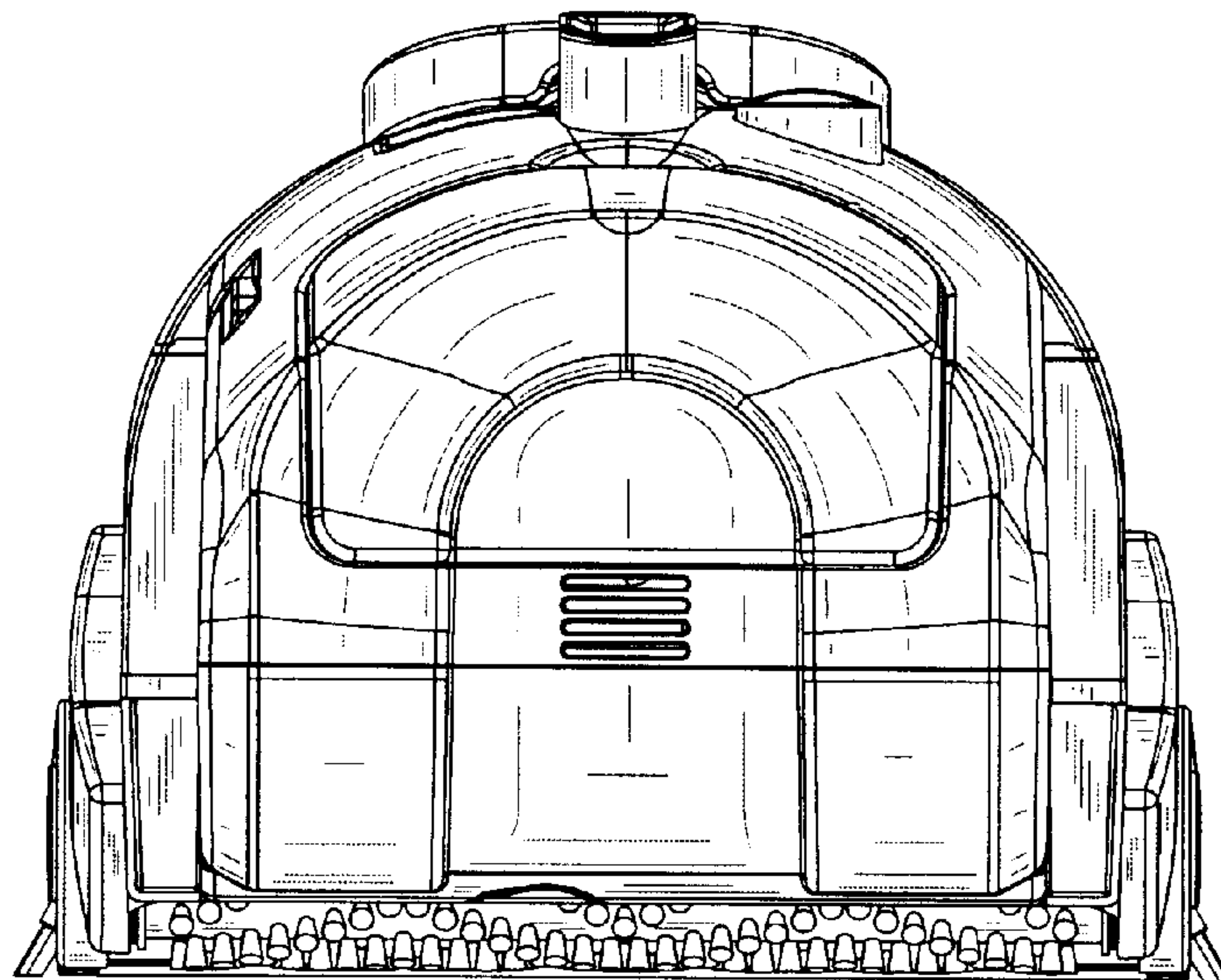


Fig. 3

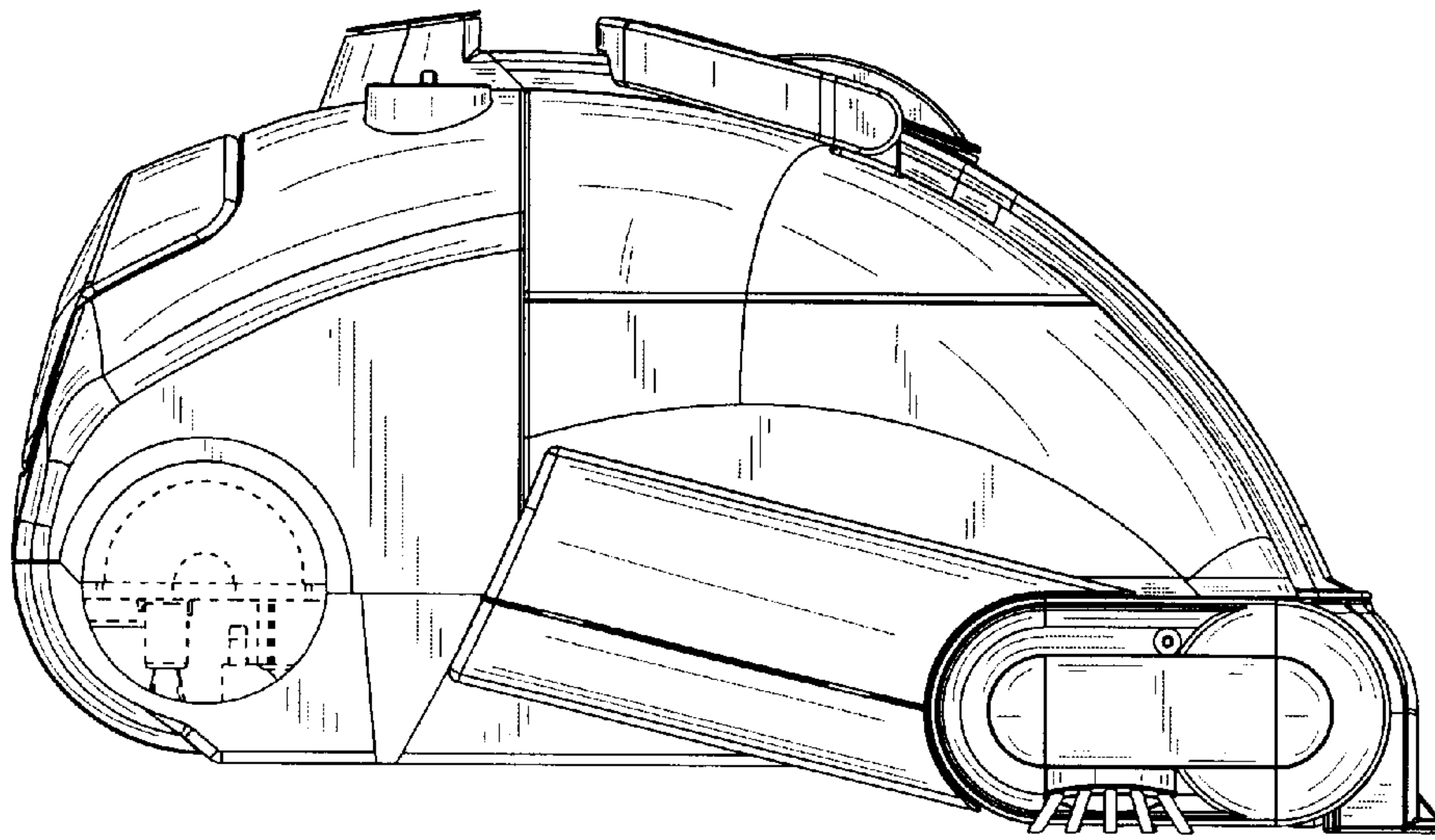


Fig. 4

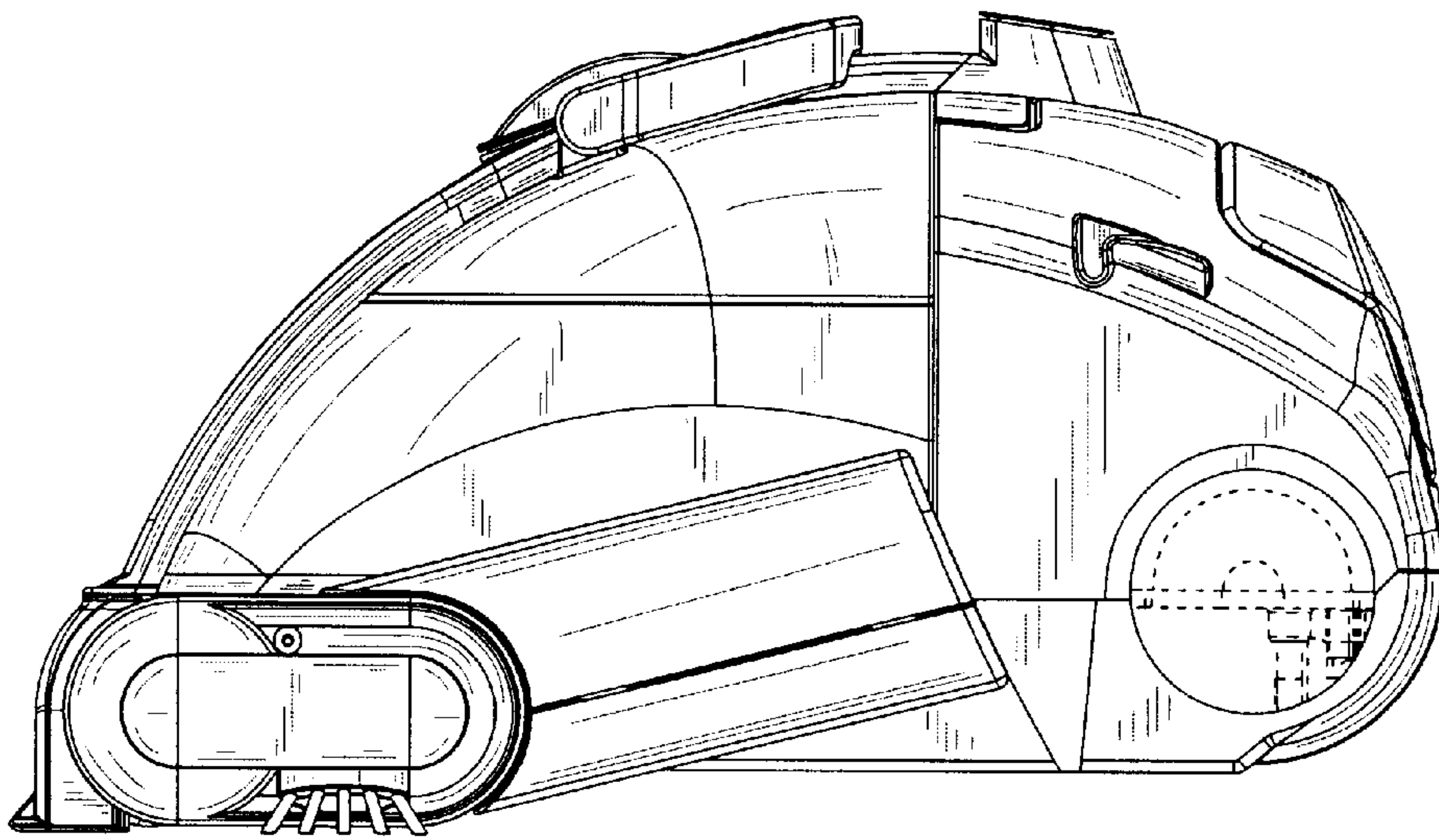


Fig. 5

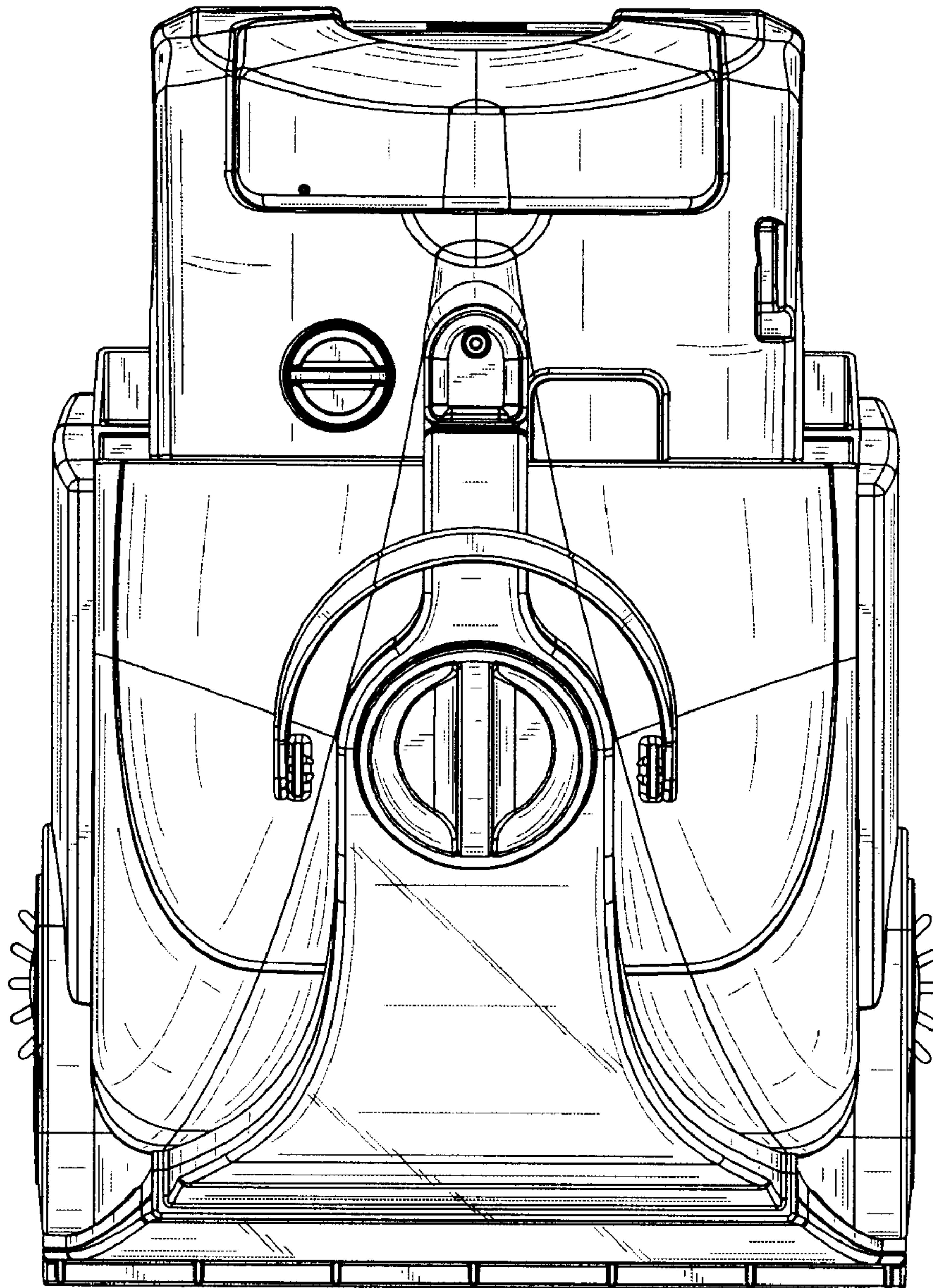


Fig. 6