

US00D533697S

(12) **United States Design Patent**
Ikeno et al.

(10) **Patent No.: US D533,697 S**

(45) **Date of Patent: ** Dec. 12, 2006**

(54) **ELECTRIC VACUUM CLEANER**

(75) Inventors: **Kenji Ikeno**, Ono (JP); **Sei Takahashi**, Kasai (JP); **Toshihide Nagamine**, Kasai (JP)

(73) Assignee: **Sanyo Electric Co., Ltd.**, Moriguchi (JP)

(**) Term: **14 Years**

(21) Appl. No.: **29/252,452**

(22) Filed: **Jan. 24, 2006**

(30) **Foreign Application Priority Data**

Jul. 28, 2005 (JP) 2005-021843

(51) **LOC (8) Cl.** **15-05**

(52) **U.S. Cl.** **D32/22**

(58) **Field of Classification Search** D32/22,
D32/31; 15/222, 320-322, 326, 329, 347,
15/350, 352-354, 361, 410, 412, 415.1; 55/337,
55/345, 459.1, 429, DIG. 3

See application file for complete search history.

(56) **References Cited**

U.S. PATENT DOCUMENTS

D462,813 S * 9/2002 Nakano et al. D32/22
D487,323 S * 3/2004 Leyden et al. D32/22
D488,893 S * 4/2004 Moine et al. D32/22

D488,894 S * 4/2004 Leyden D32/22
D494,720 S * 8/2004 Rosenzweig et al. D32/31
D506,043 S * 6/2005 Kim D32/22
D510,465 S * 10/2005 Takahashi et al. D32/22
D521,698 S * 5/2006 Rosenzweig et al. D32/22

* cited by examiner

Primary Examiner—Ruth McInroy

(74) *Attorney, Agent, or Firm*—Foley & Lardner LLP

(57) **CLAIM**

The ornamental design for an electric vacuum cleaner, as shown.

DESCRIPTION

FIG. 1 is a perspective view of an electric vacuum cleaner showing our new design;

FIG. 2 is a front view thereof;

FIG. 3 is a rear view thereof;

FIG. 4 is a top plan view thereof;

FIG. 5 is a bottom plan view thereof;

FIG. 6 is a right side view thereof;

FIG. 7 is a left side view thereof;

FIG. 8 is a sectional view thereof taken along line 8—8 of FIG. 2 omitting the illustration of internal structure;

FIG. 9 is a sectional view thereof taken along line 9—9 of FIG. 2 omitting the illustration of internal structure; and,

FIG. 10 is a perspective view showing two details in an alternate position.

1 Claim, 8 Drawing Sheets

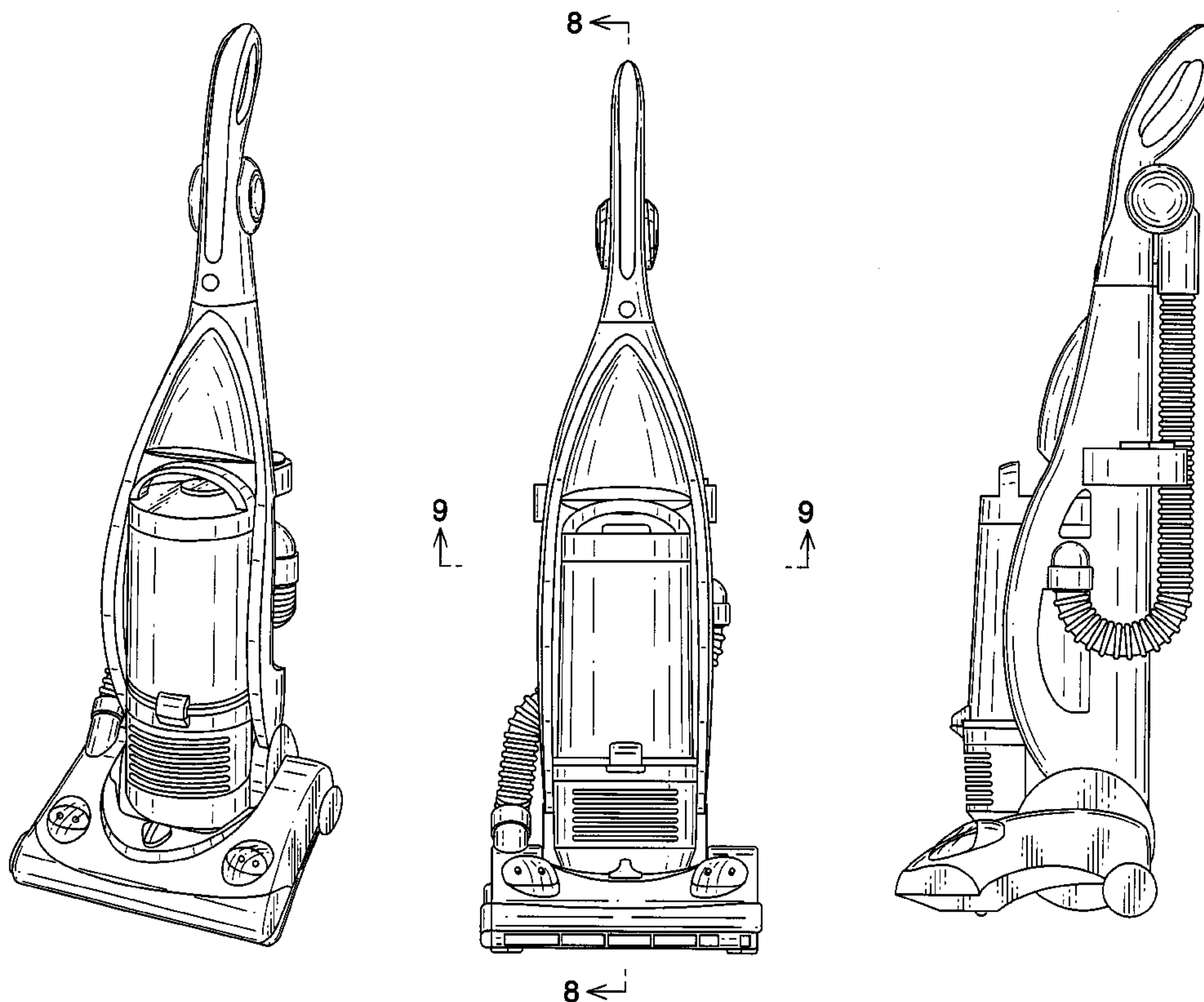


Fig. 1

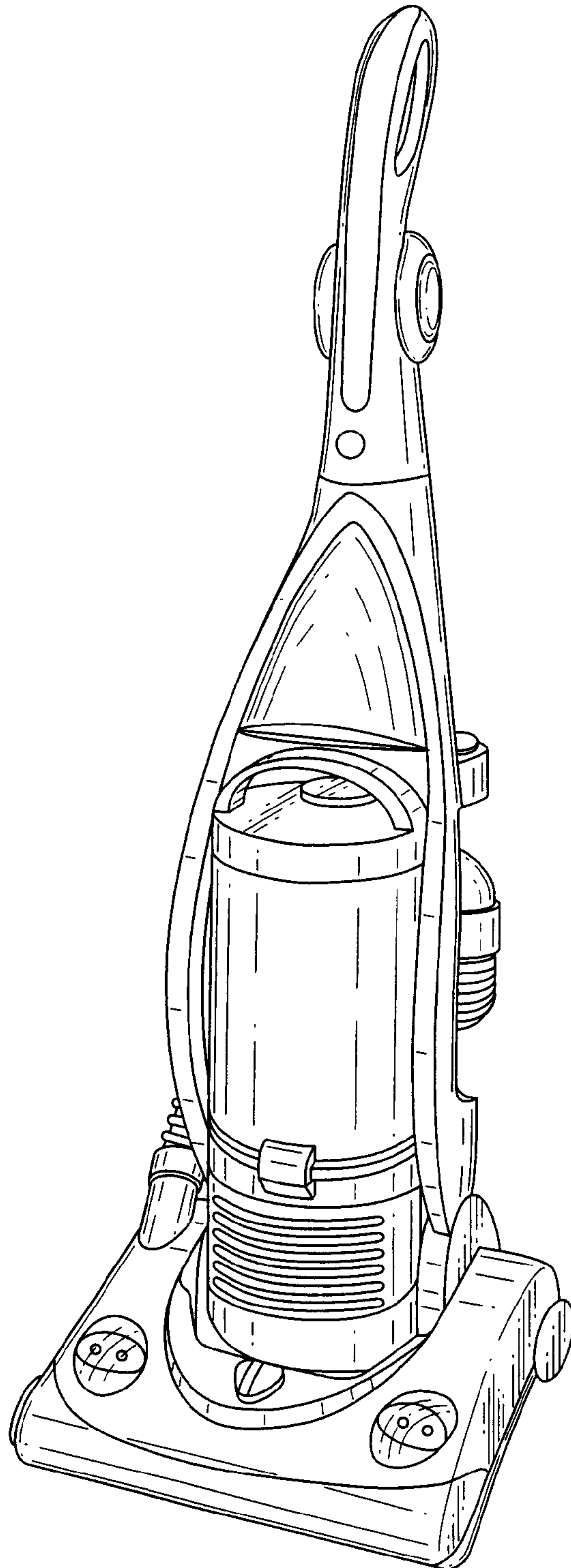


Fig. 2

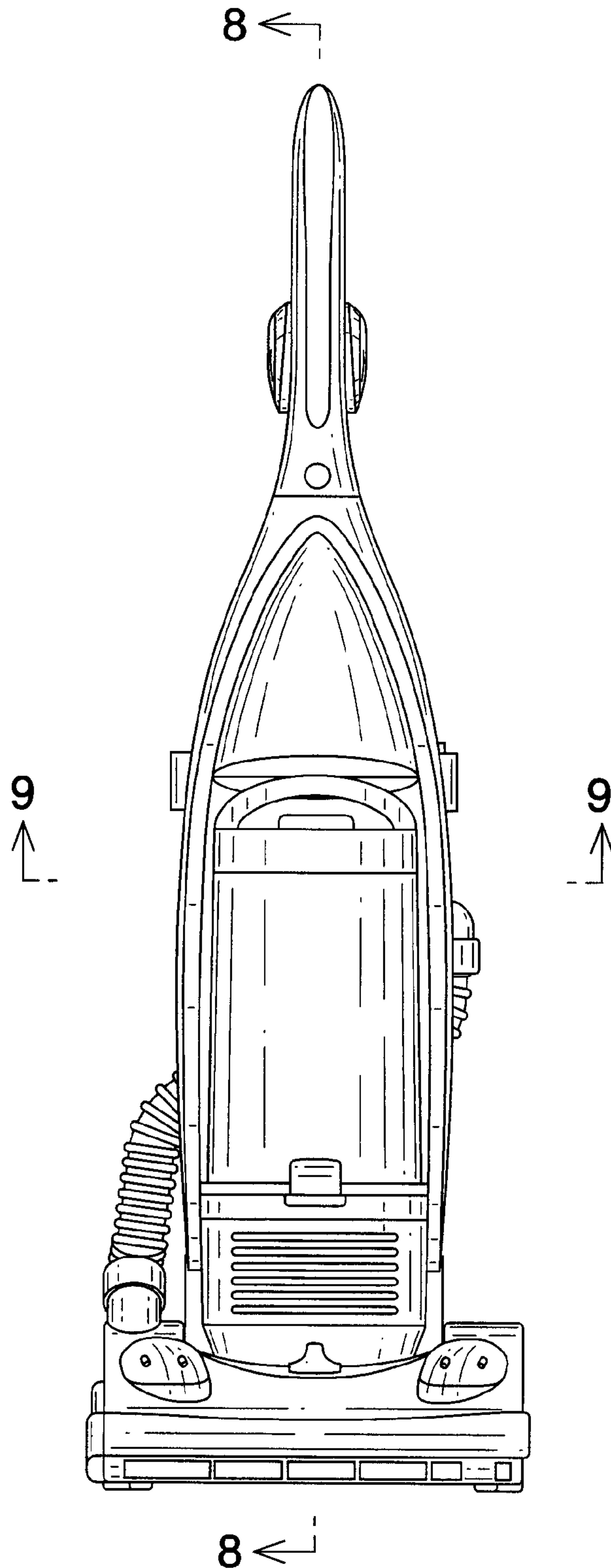


Fig. 3

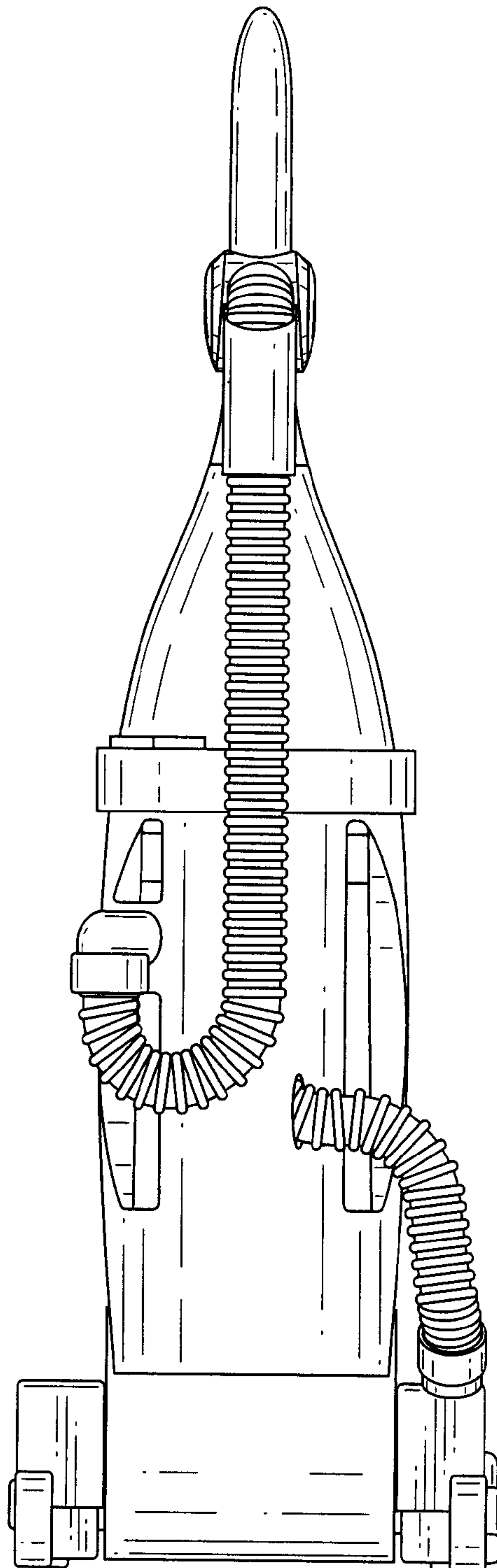


Fig. 4

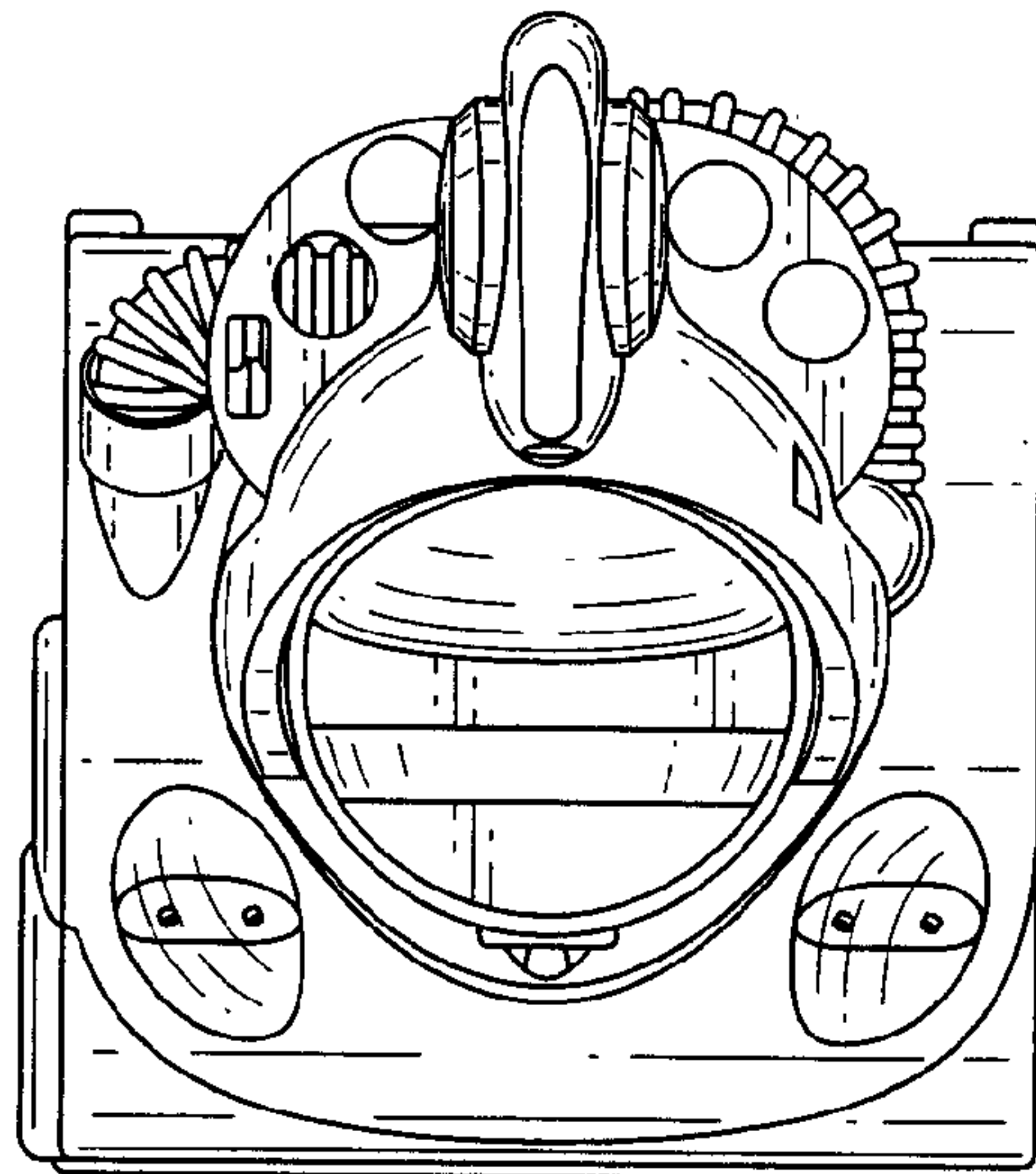


Fig. 5

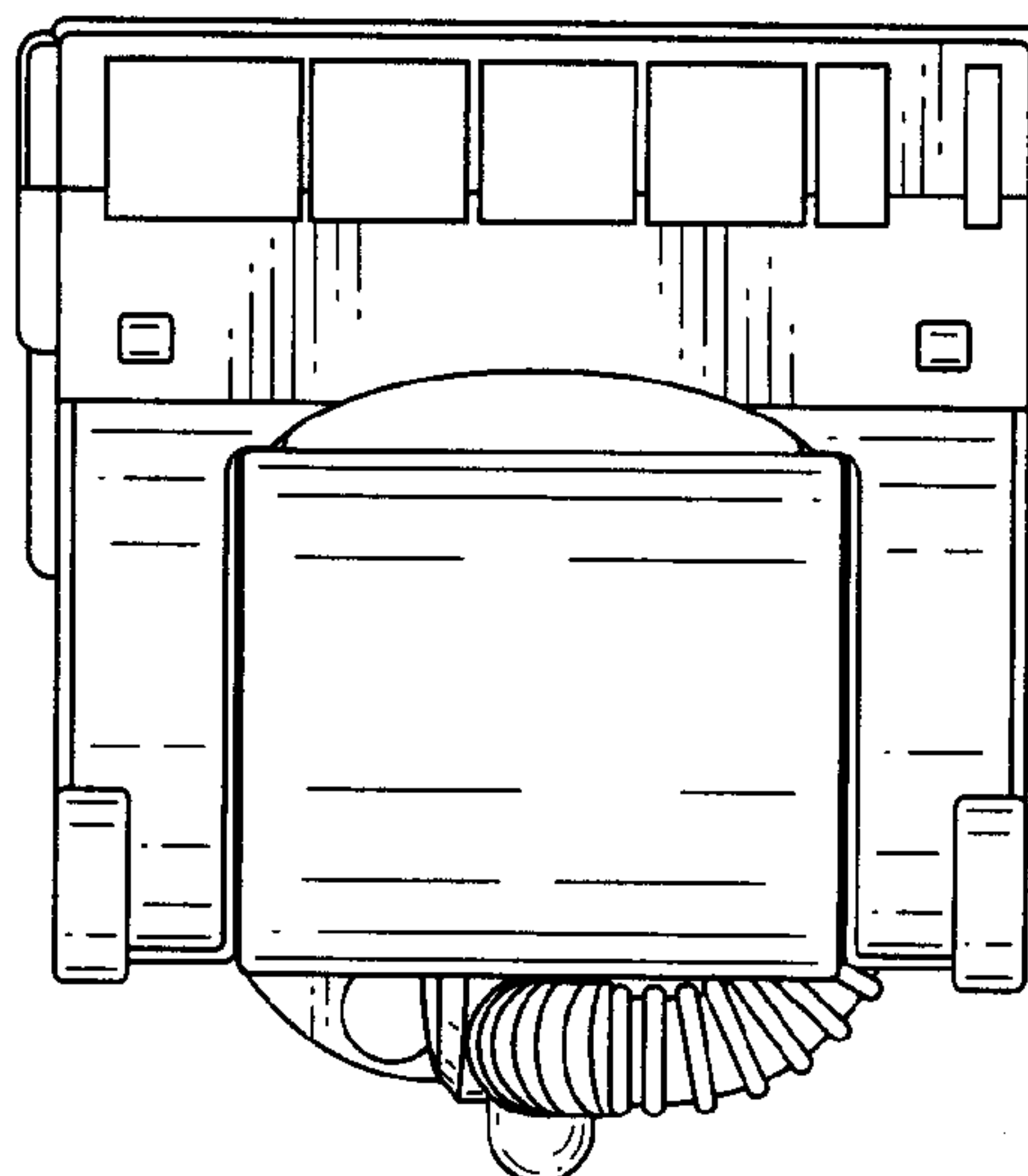


Fig. 6

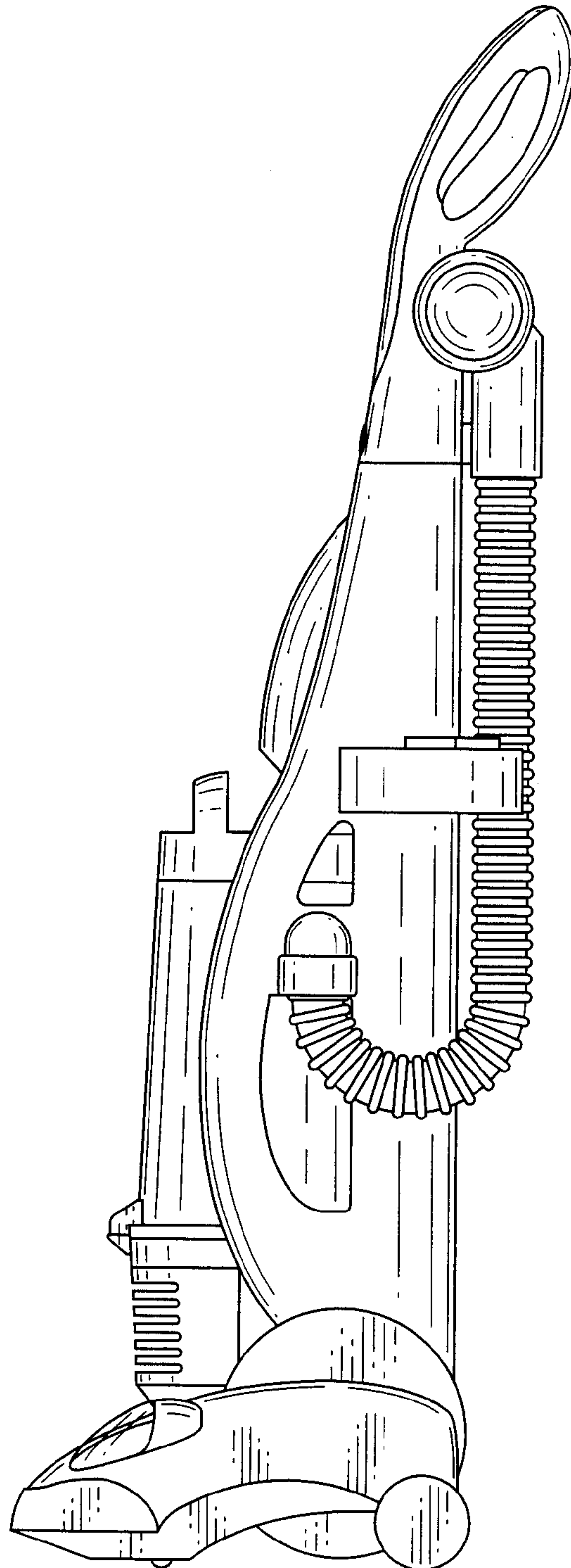


Fig. 7

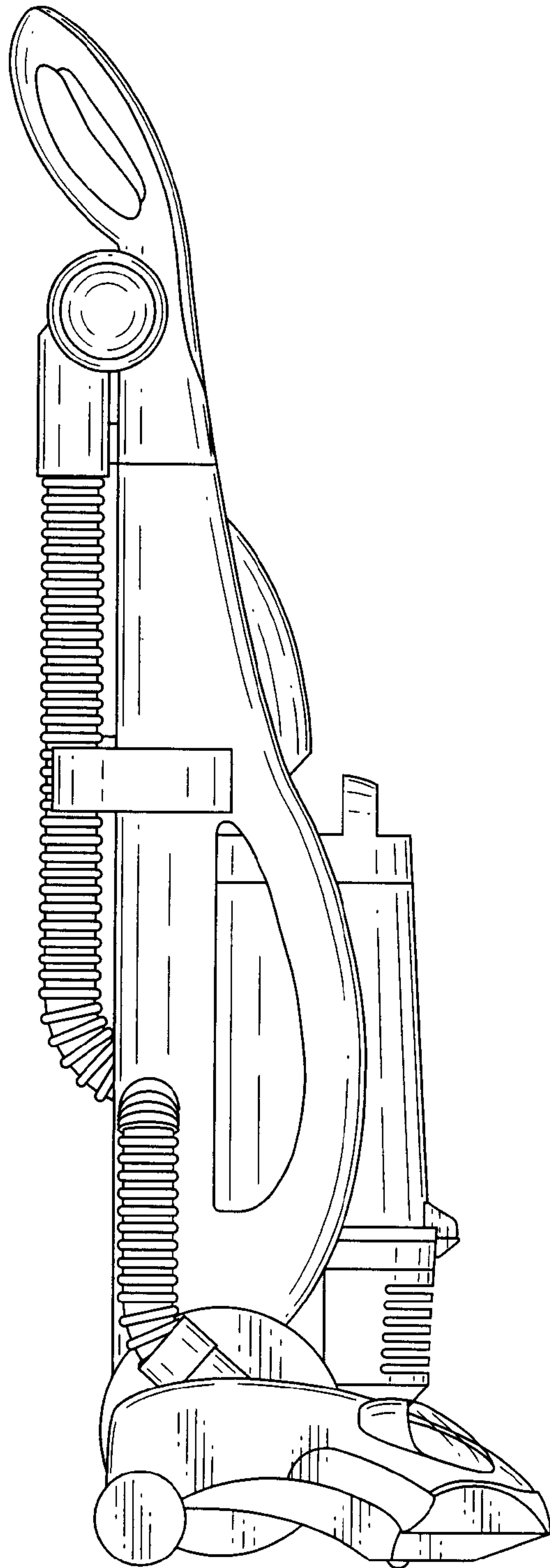


Fig. 8

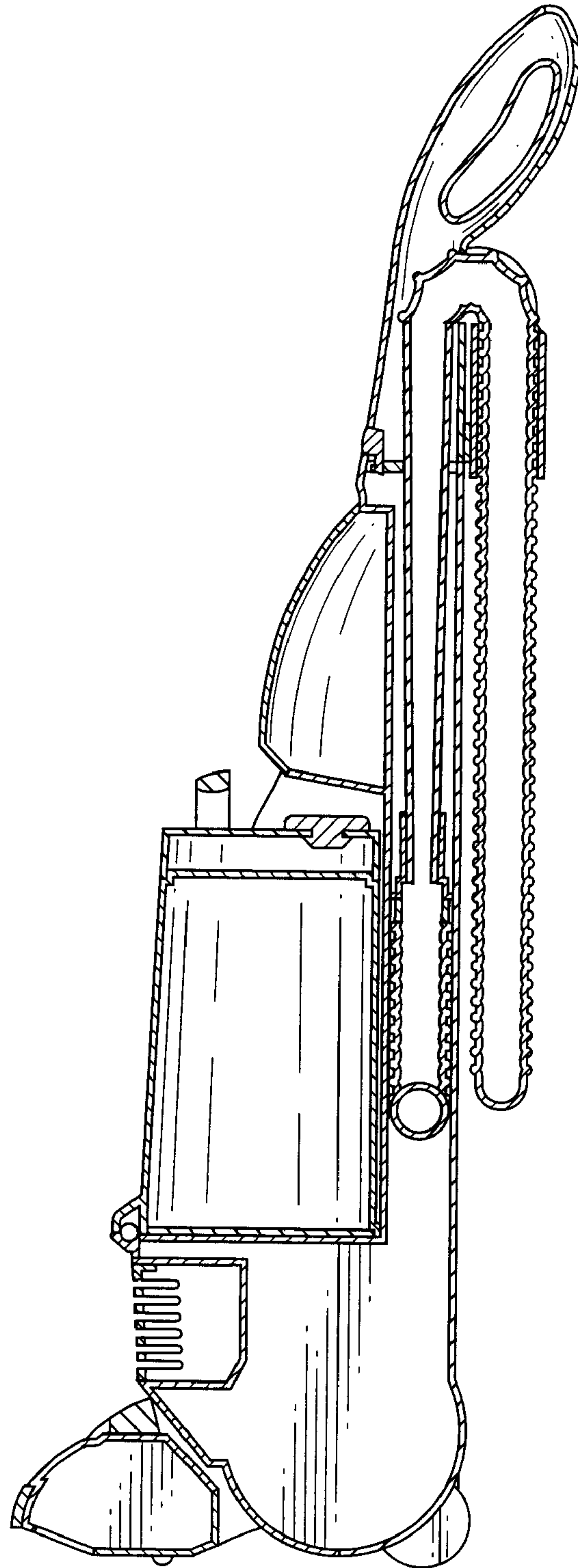


Fig. 9

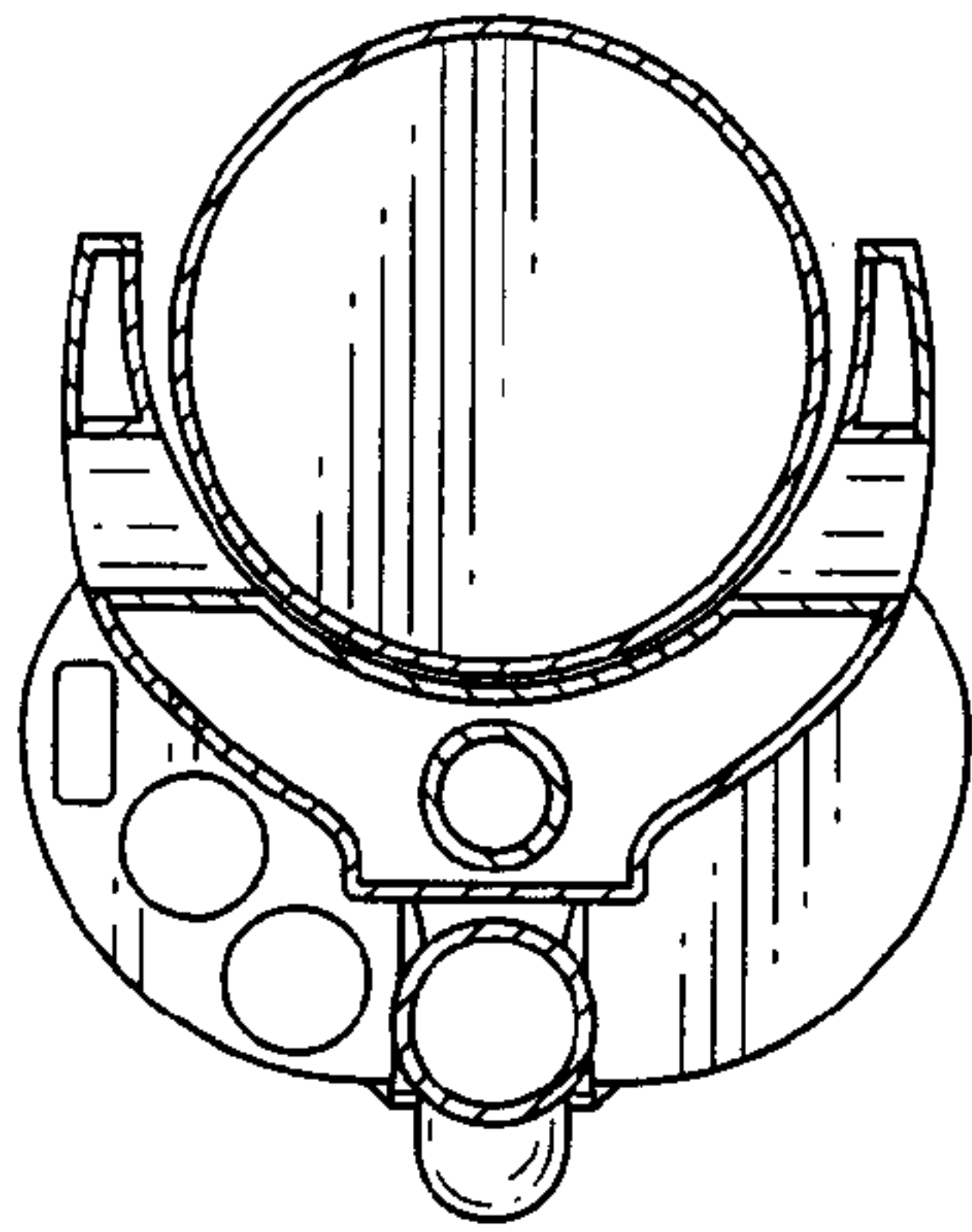


Fig. 10

