



US00D533696S

(12) **United States Design Patent**
Ikeno et al.

(10) **Patent No.:** **US D533,696 S**

(45) **Date of Patent:** **** Dec. 12, 2006**

(54) **ELECTRIC VACUUM CLEANER**

(75) Inventors: **Kenji Ikeno**, Ono (JP); **Sei Takahashi**, Kasai (JP)

(73) Assignee: **Sanyo Electric Co., Ltd.**, Moriguchi (JP)

(**) Term: **14 Years**

(21) Appl. No.: **29/235,306**

(22) Filed: **Aug. 1, 2005**

(30) **Foreign Application Priority Data**

Feb. 2, 2005 (JP) 2005-002722

(51) **LOC (8) Cl.** **15-05**

(52) **U.S. Cl.** **D32/22**

(58) **Field of Classification Search** D32/22,
D32/31; 15/222, 320-322, 326, 329, 347,
15/350, 352-354, 361, 410, 412, 415.1; 55/337,
55/345, 459.1, 429, DIG. 3

See application file for complete search history.

(56) **References Cited**

U.S. PATENT DOCUMENTS

D358,913 S * 5/1995 Sugiyama et al. D32/22

D431,332 S * 9/2000 Hamm et al. D32/22
D434,884 S * 12/2000 Hohulin et al. D32/22
D452,758 S * 1/2002 Yokoyama et al. D32/22
D488,893 S * 4/2004 Moine et al. D32/22
D506,043 S * 6/2005 Kim D32/22
D515,753 S * 2/2006 Kim D32/22
D521,698 S * 5/2006 Rosenzweig et al. D32/22

* cited by examiner

Primary Examiner—Ruth McInroy

(74) *Attorney, Agent, or Firm*—Foley & Lardner LLP

(57) **CLAIM**

The ornamental design for an electric vacuum cleaner, as shown and described.

DESCRIPTION

FIG. 1 is a perspective view of an electric vacuum cleaner showing our new design;
FIG. 2 is a front view thereof;
FIG. 3 is a rear view thereof;
FIG. 4 is a top plan view thereof;
FIG. 5 is a bottom plan view thereof;
FIG. 6 is a left side view thereof;
FIG. 7 is a right side view thereof; and,
FIG. 8 is a sectional view taken along line 8—8 in FIG. 2.

1 Claim, 6 Drawing Sheets

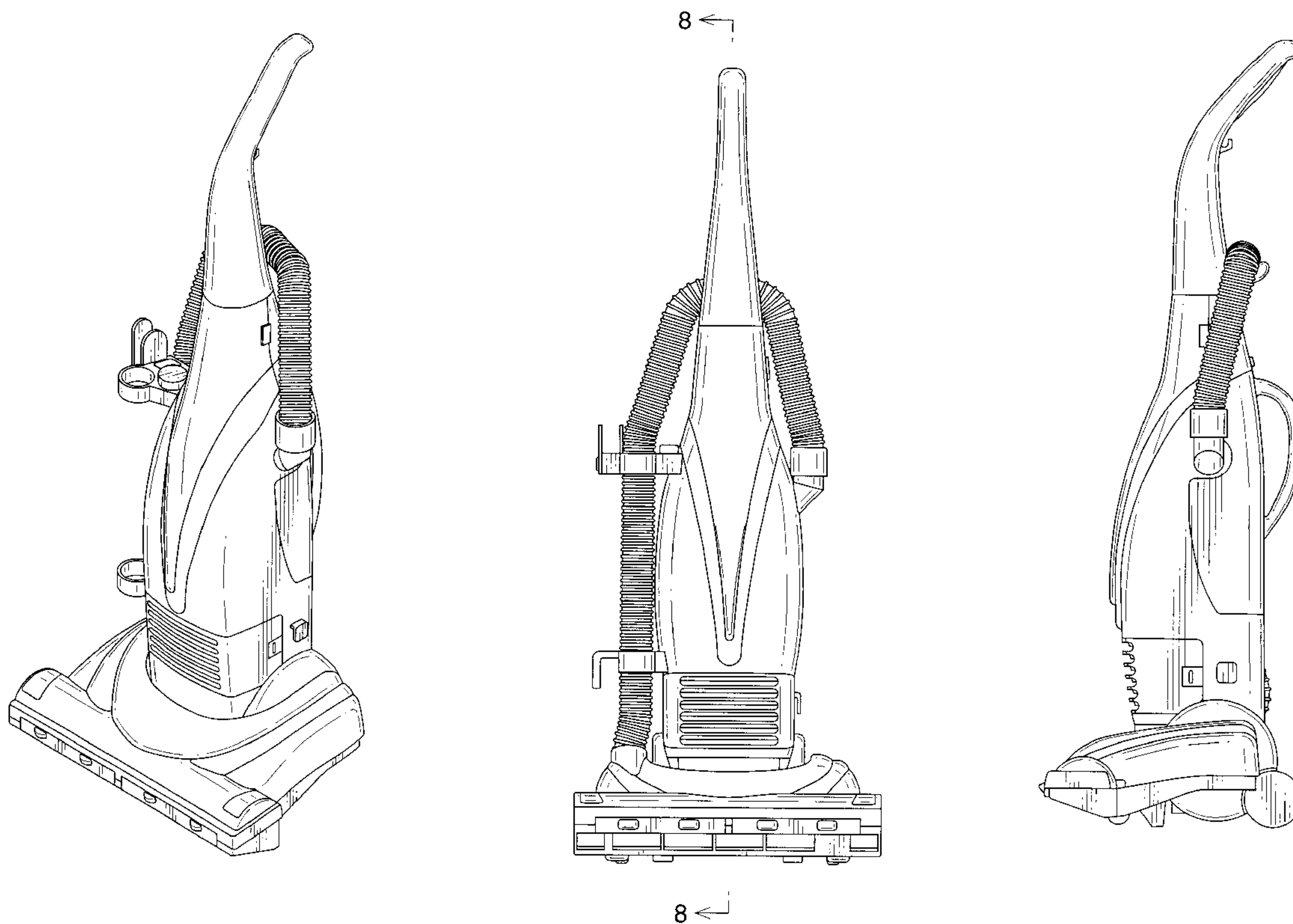


FIG. 1

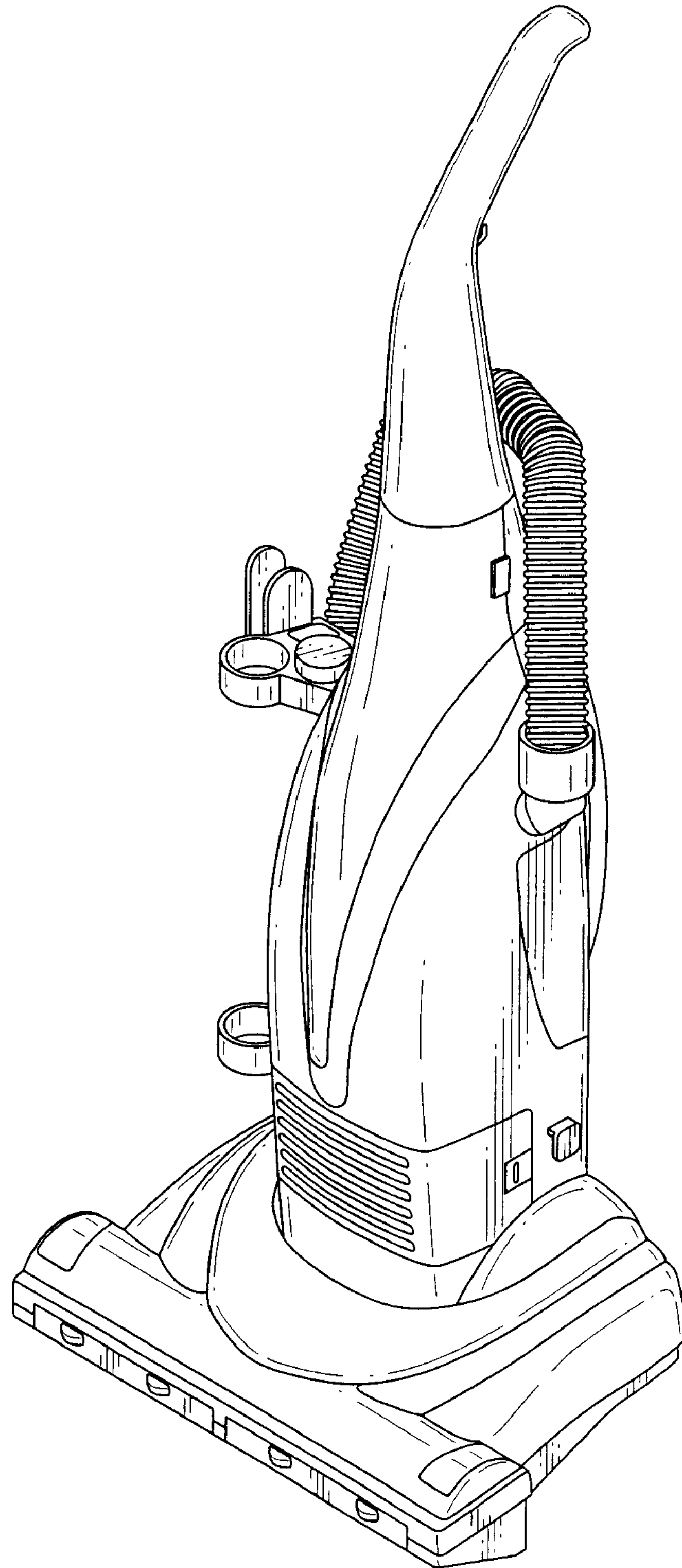


FIG. 2

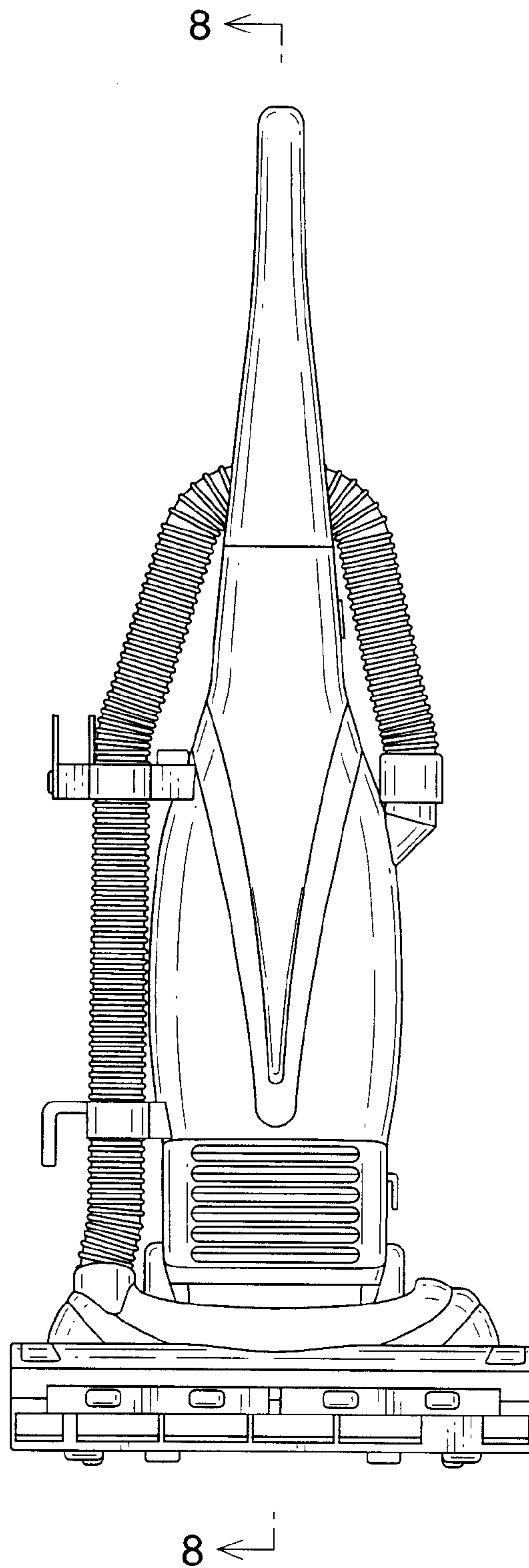


FIG. 3

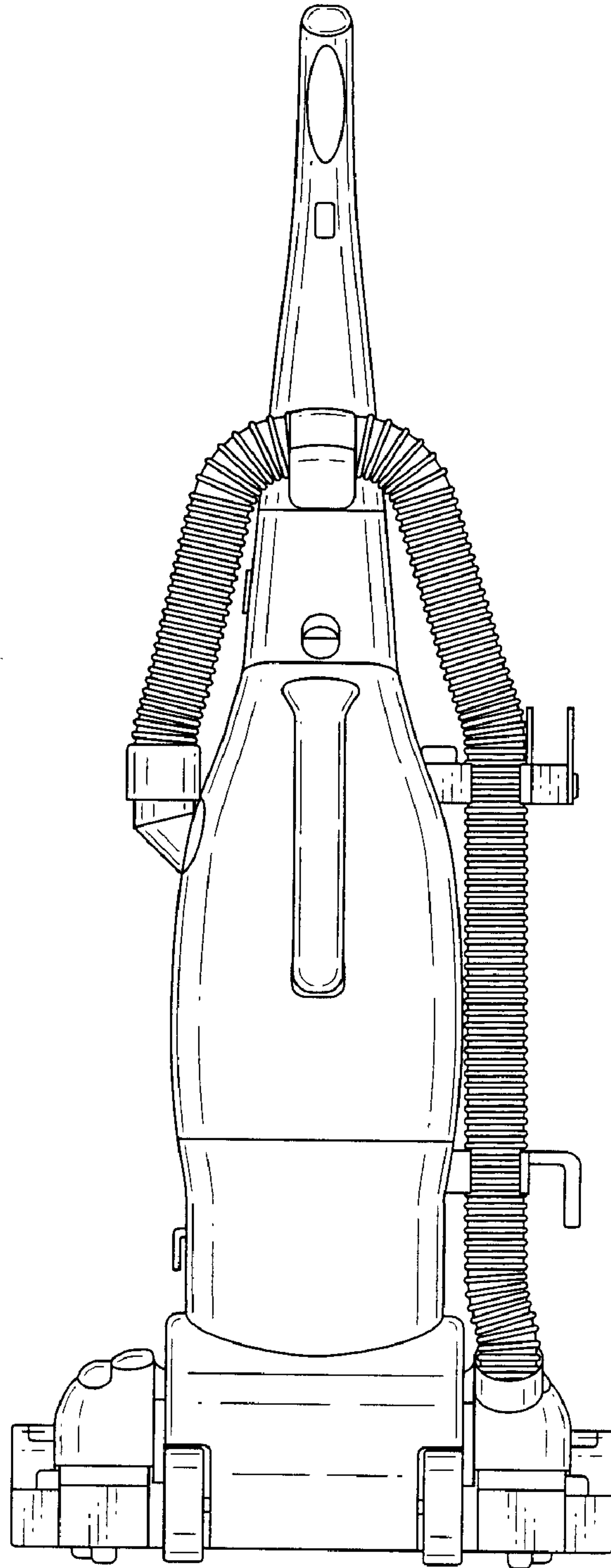


FIG. 4

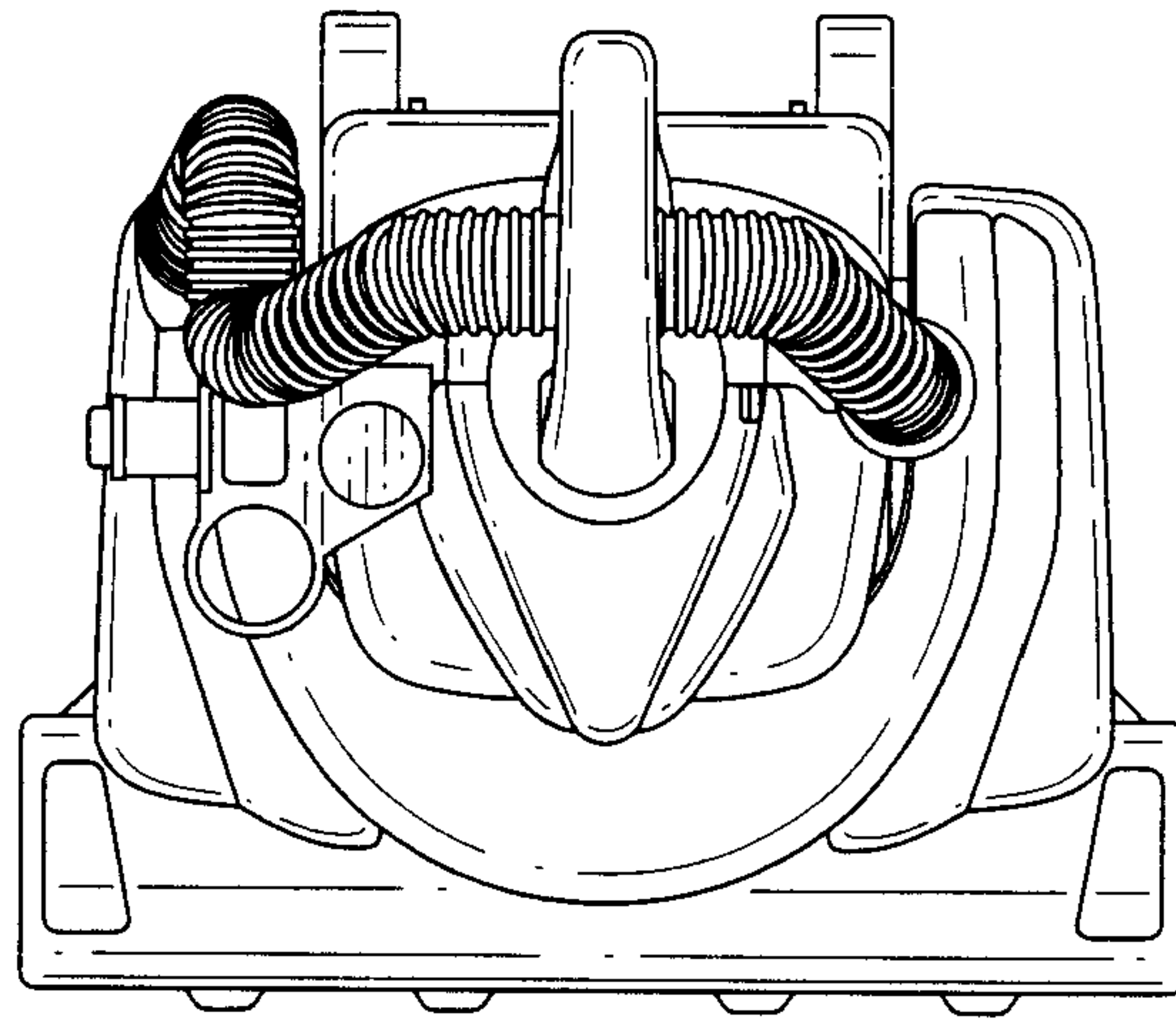


FIG. 5

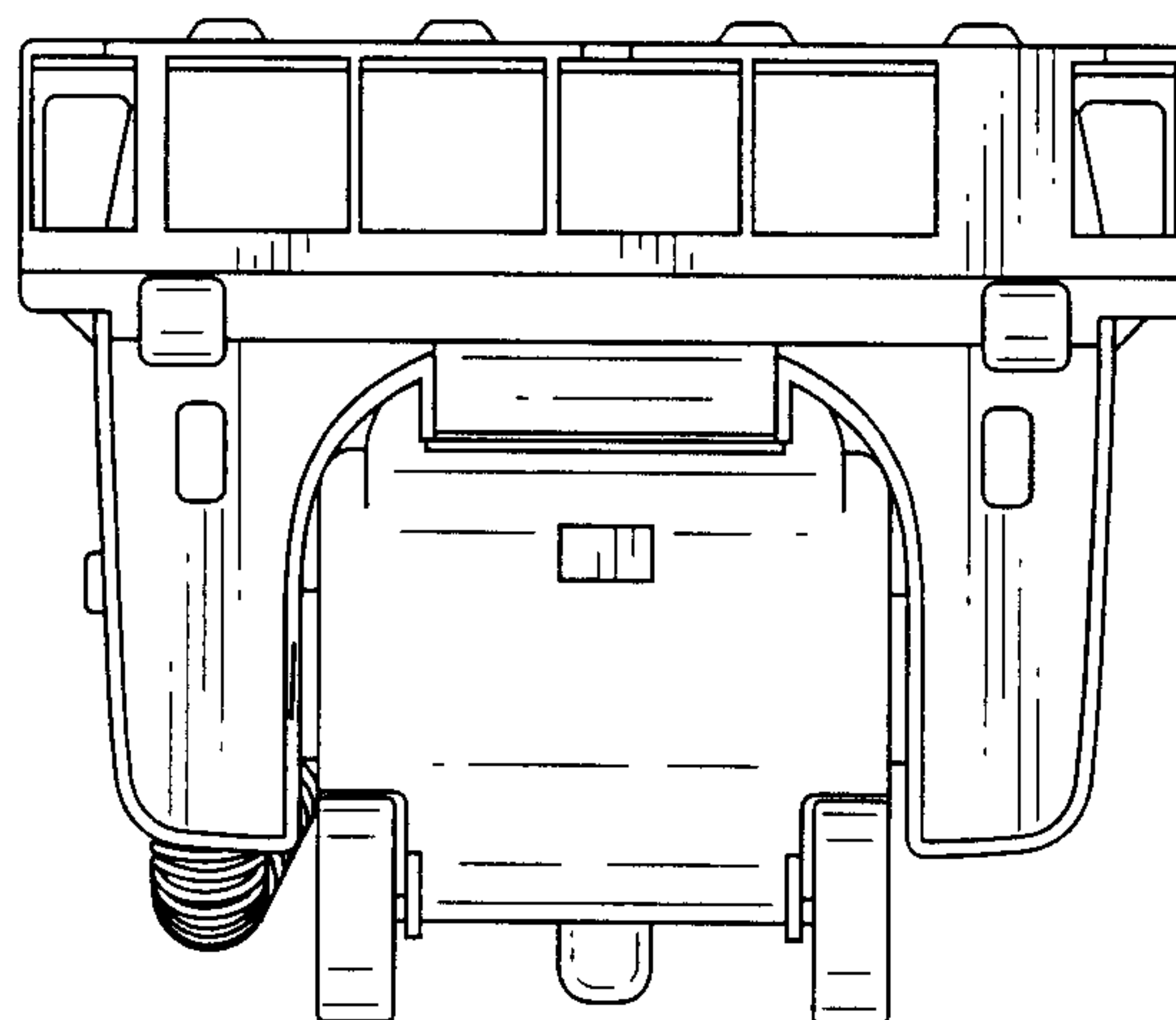


FIG. 6

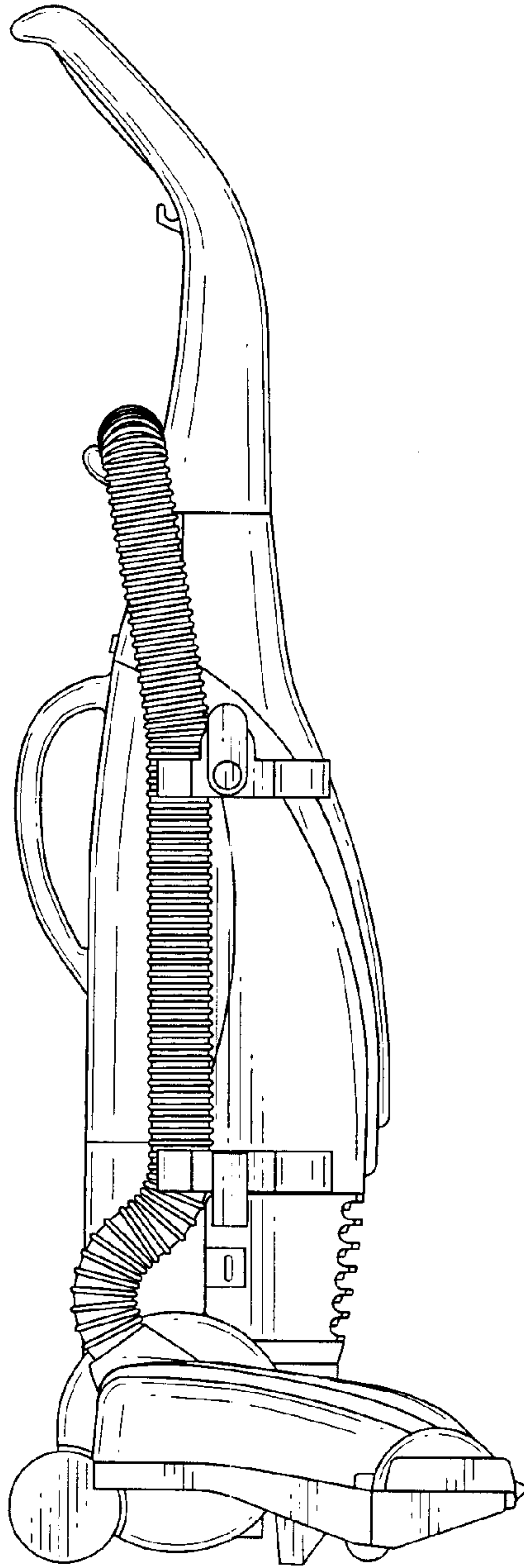


FIG. 7

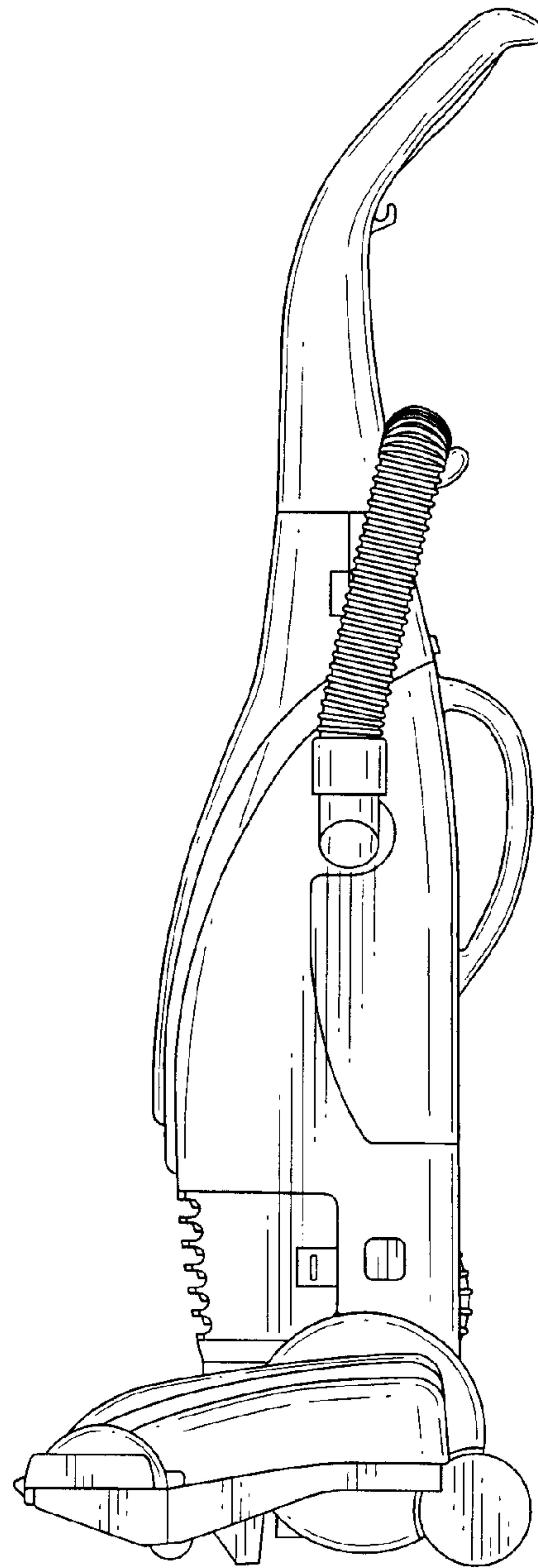


FIG. 8

