

US00D533695S

(12) **United States Design Patent**
Dyson et al.

(10) **Patent No.:** **US D533,695 S**

(45) **Date of Patent:** **** Dec. 12, 2006**

(54) **VACUUM CLEANER**

(75) Inventors: **James Dyson**, Dodington (GB); **Peter Nigel Hutchinson**, Malmesbury (GB)

(73) Assignee: **Tyson Limited**, Wiltshire (GB)

(**) Term: **14 Years**

(21) Appl. No.: **29/221,895**

(22) Filed: **Jan. 24, 2005**

(30) **Foreign Application Priority Data**

Jul. 23, 2004 (GB) 3018196

(51) **LOC (8) Cl.** **15-05**

(52) **U.S. Cl.** **D32/22; D21/526**

(58) **Field of Classification Search** D32/21,
D32/22-23, 31, 34; 15/320-321, 327.1, 327.2,
15/323, 329, 334-335, 347, 350, 351, 353,
15/361, 410-411, DIG. 10; 55/346, DIG. 3,
55/459.1, 337, 429; 95/271; D21/526

See application file for complete search history.

(56) **References Cited**

U.S. PATENT DOCUMENTS

D309,203 S * 7/1990 Goodrich D32/22

D429,776 S * 8/2000 Gammack et al. D21/526
D439,379 S * 3/2001 Gammack et al. D32/22
6,442,791 B1 * 9/2002 McRae Thomson et al. .. 15/334
D475,820 S * 6/2003 Dyson et al. D32/22
6,974,488 B1 * 12/2005 Dyson 55/346
6,993,807 B1 * 2/2006 Courtney 15/320

* cited by examiner

Primary Examiner—Ruth McInroy

(74) *Attorney, Agent, or Firm*—Morrison & Foerster LLP

(57) **CLAIM**

I claim the ornamental design for a vacuum cleaner, as shown and described.

DESCRIPTION

FIG. 1 is a front view of a vacuum cleaner showing our new design;

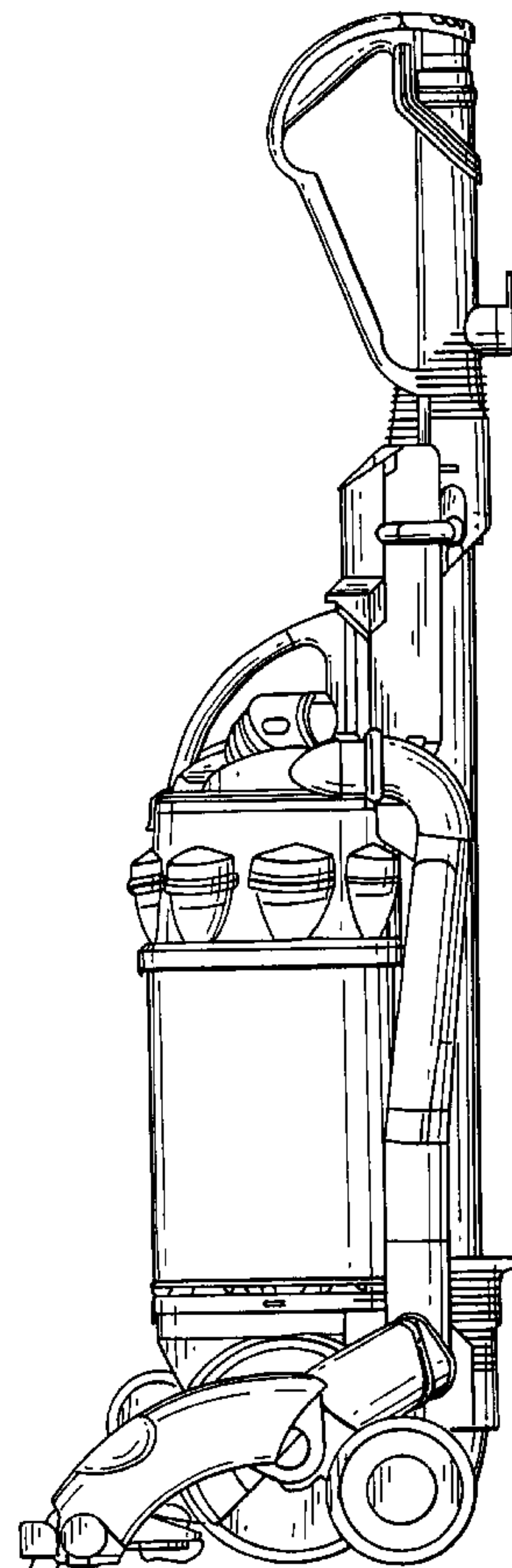
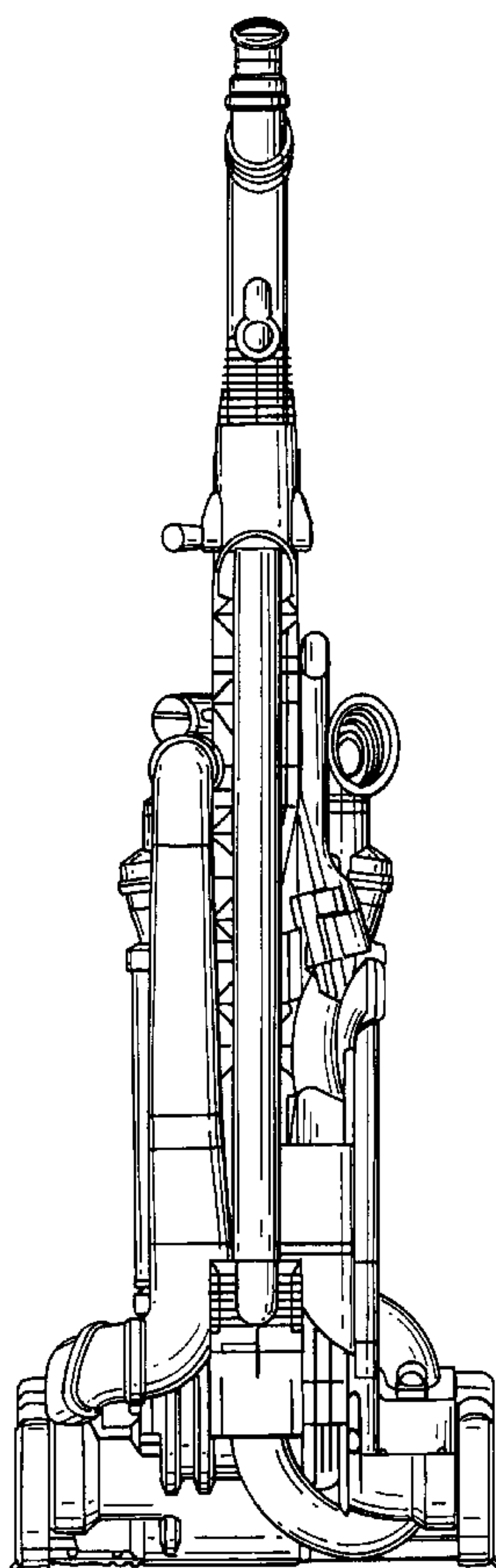
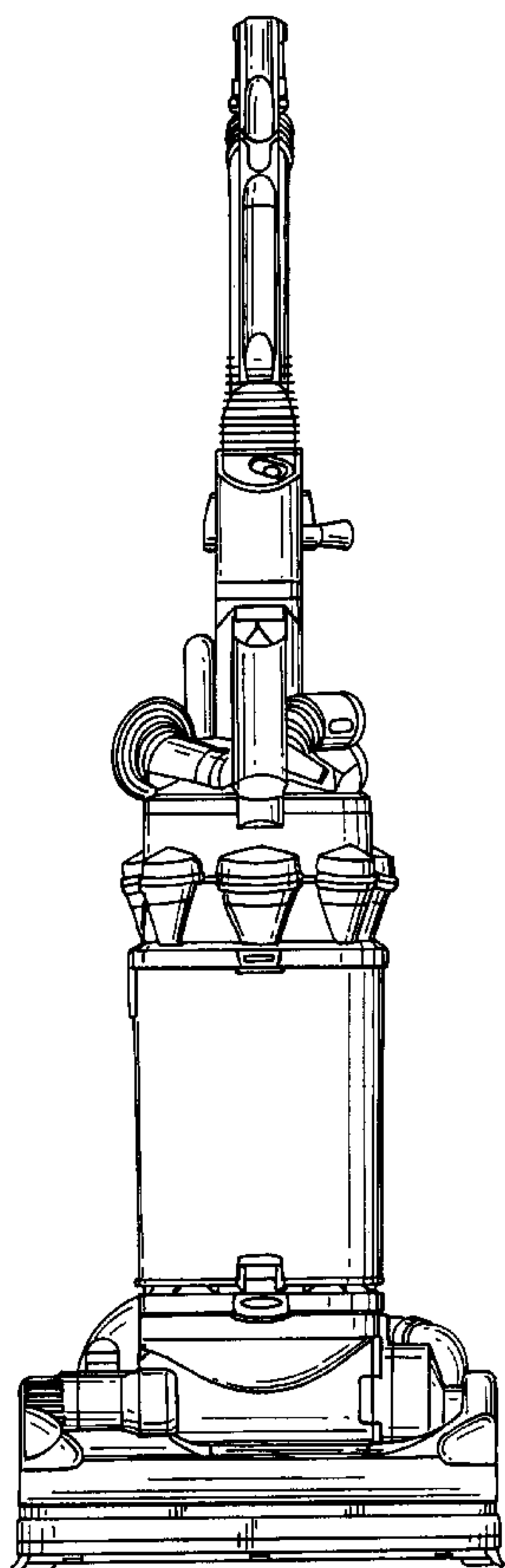
FIG. 2 is a rear view thereof;

FIG. 3 is a side view thereof;

FIG. 4 is a side view of the opposite side of FIG. 3; and,

FIG. 5 is a top view thereof.

1 Claim, 5 Drawing Sheets



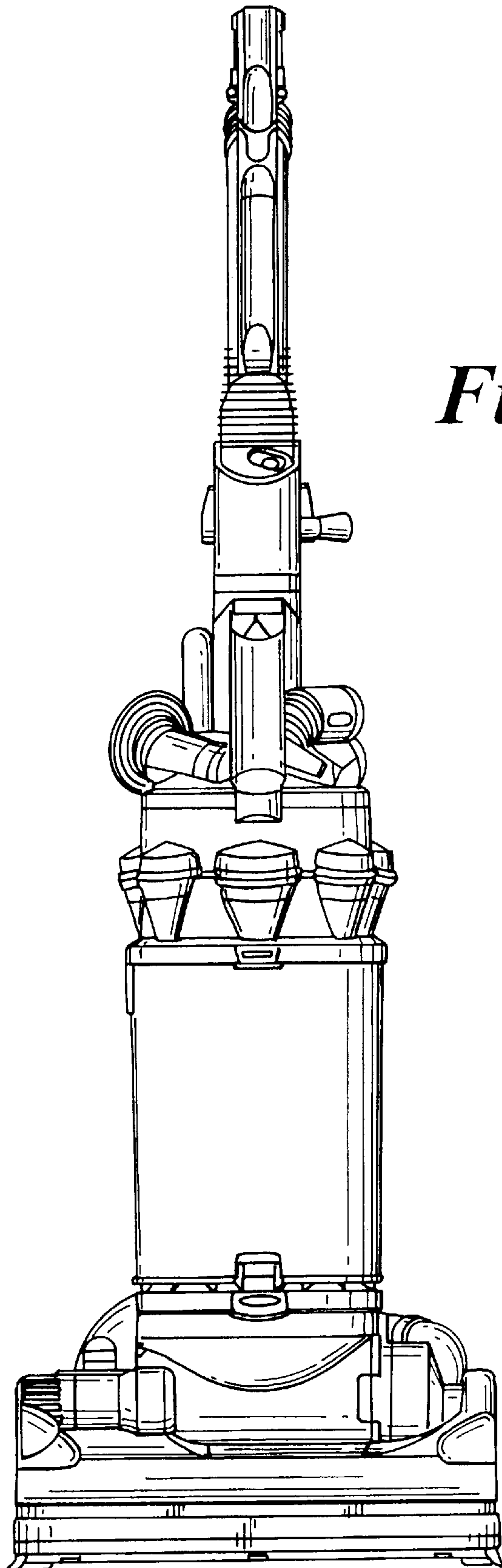


Fig. 1

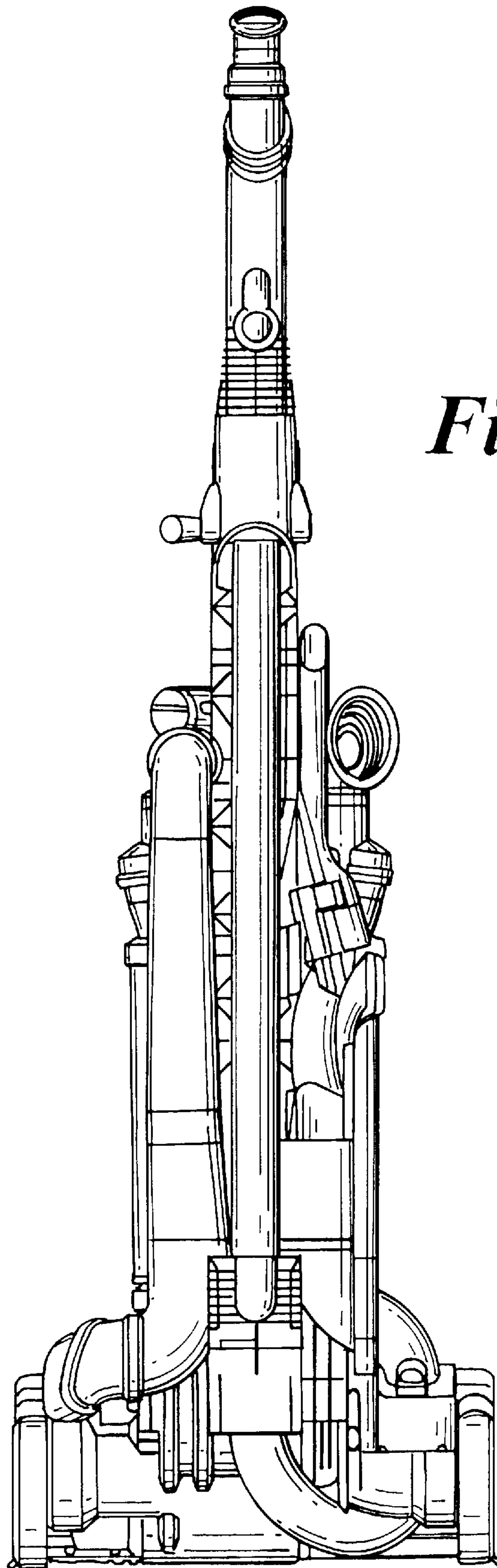


Fig. 2

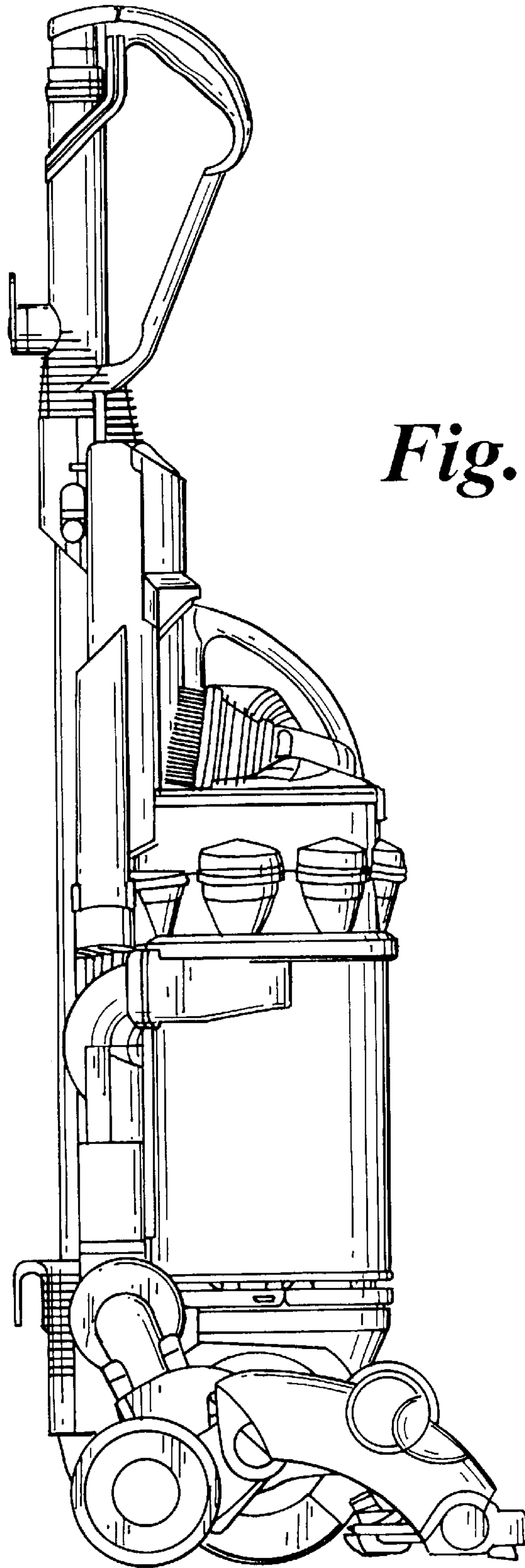
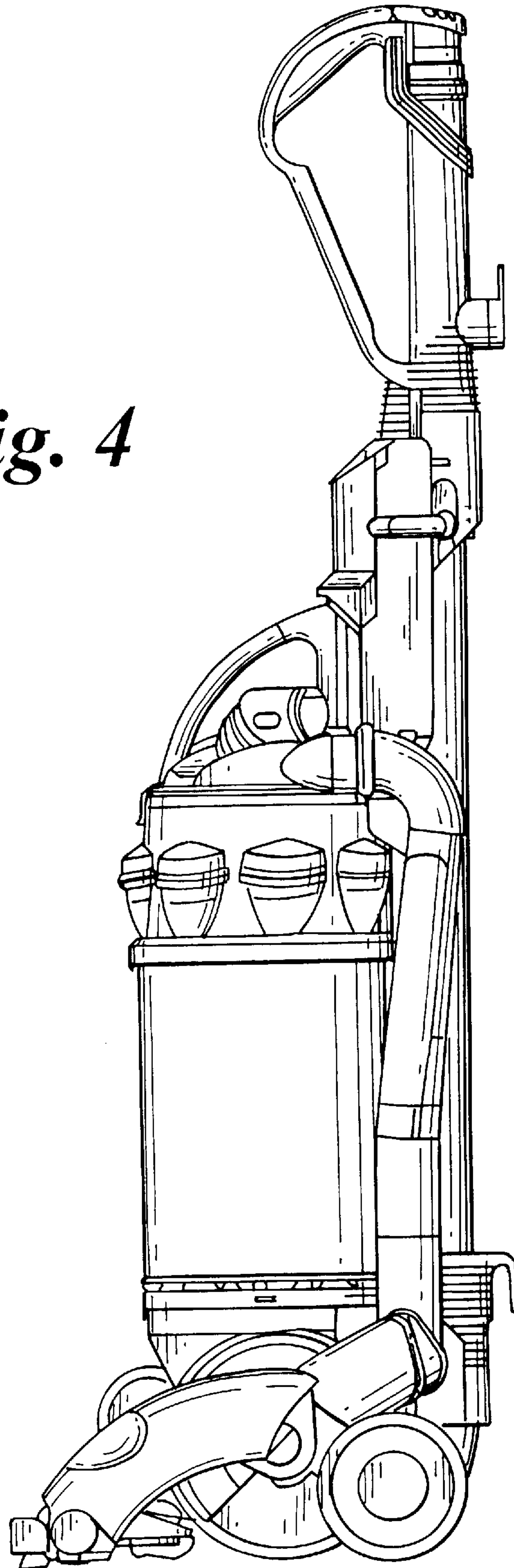


Fig. 3

Fig. 4



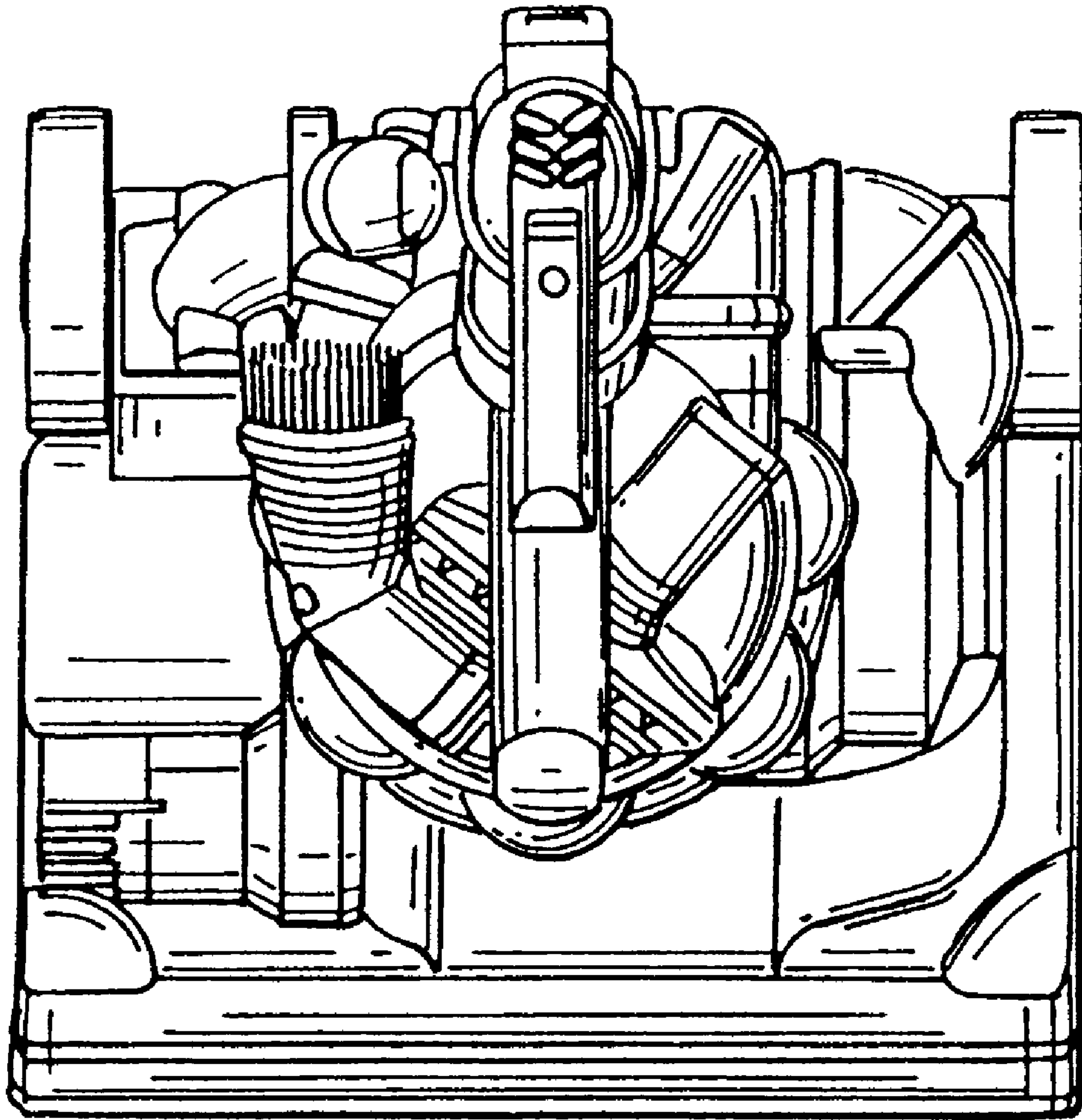


Fig. 5