



US00D533694S

(12) **United States Design Patent**  
**Cheng**

(10) **Patent No.:** **US D533,694 S**

(45) **Date of Patent:** **\*\* Dec. 12, 2006**

(54) **DUST COLLECTOR**

(75) Inventor: **Chieh-Yuan Cheng**, Nan-Tou (TW)

(73) Assignees: **San Ford Machinery Co., Ltd.**,  
Taichung (TW); **Grizzly Industrial**,  
Bellingham, WA (US)

(\*\*) Term: **14 Years**

(21) Appl. No.: **29/251,009**

(22) Filed: **Jan. 4, 2006**

(51) **LOC (8) Cl.** ..... **15-05**

(52) **U.S. Cl.** ..... **D32/21**

(58) **Field of Classification Search** ..... D32/1,  
D32/15, 17, 21, 23, 24, 31; 15/310, 320,  
15/321, 327.1, 327.2, 327.4, 327.6, 327.7,  
15/347, 352-353, 329; 134/105, 198, 21;  
451/453, 456; 144/252.1; 55/315, 356, 366,  
55/428-429, 482, 472, 459.4

See application file for complete search history.

(56) **References Cited**

**U.S. PATENT DOCUMENTS**

5,163,985 A \* 11/1992 Chen ..... 55/356  
5,169,420 A \* 12/1992 Chen ..... 55/315  
D357,094 S \* 4/1995 Lin ..... D32/1

D357,095 S \* 4/1995 Lin ..... D32/1  
D358,234 S \* 5/1995 Lin ..... D32/1  
D501,964 S \* 2/2005 Cheng ..... D32/21  
D502,297 S \* 2/2005 Cheng ..... D32/21  
D518,610 S \* 4/2006 Cheng ..... D32/21  
2005/0183233 A1 \* 8/2005 Lin ..... 15/352  
2005/0257507 A1 \* 11/2005 Tsai ..... 55/428  
2006/0016162 A1 \* 1/2006 Lin ..... 55/428

\* cited by examiner

*Primary Examiner*—Ruth McInroy

(74) *Attorney, Agent, or Firm*—Troxell Law Office, PLLC

(57) **CLAIM**

I claim the ornamental design for a dust collector, as shown and described.

**DESCRIPTION**

FIG. 1 is a front perspective view of a dust collector showing my new design;

FIG. 2 is a front elevational view thereof;

FIG. 3 is a rear elevational view thereof.

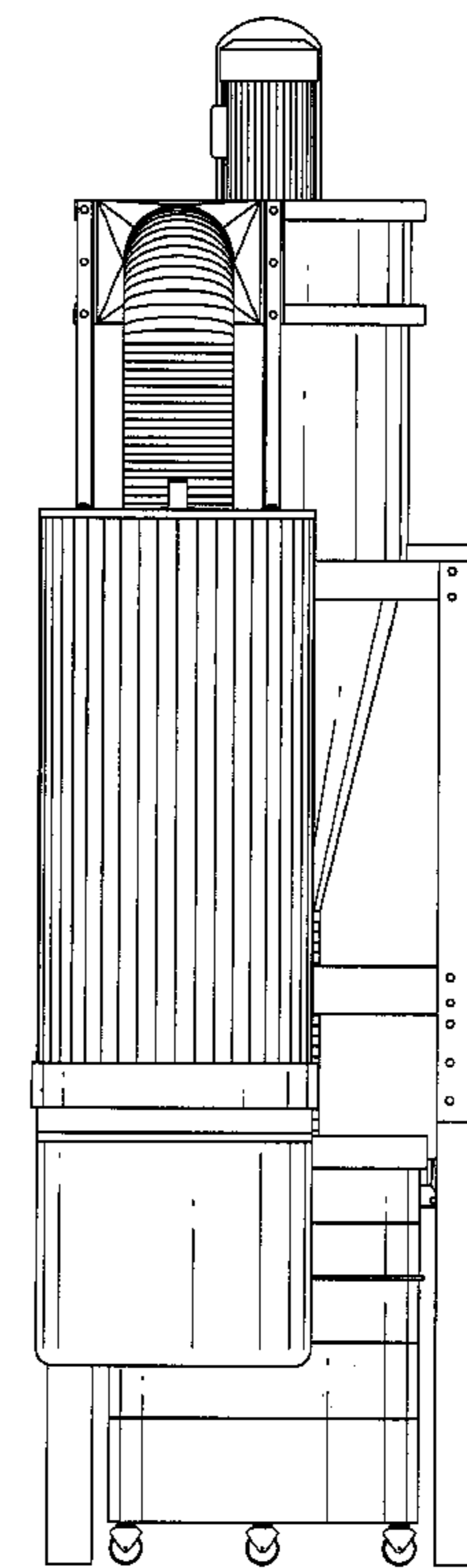
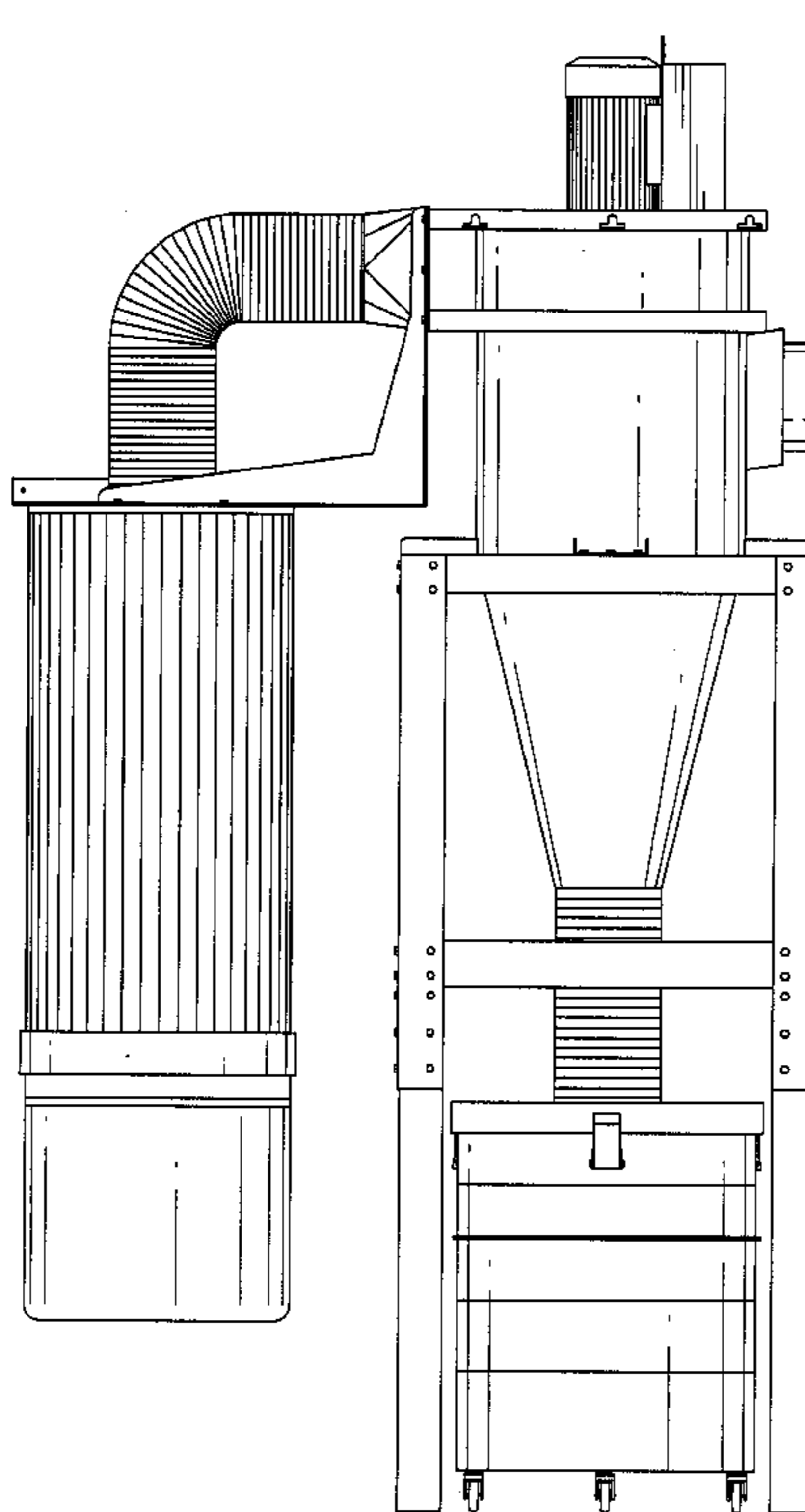
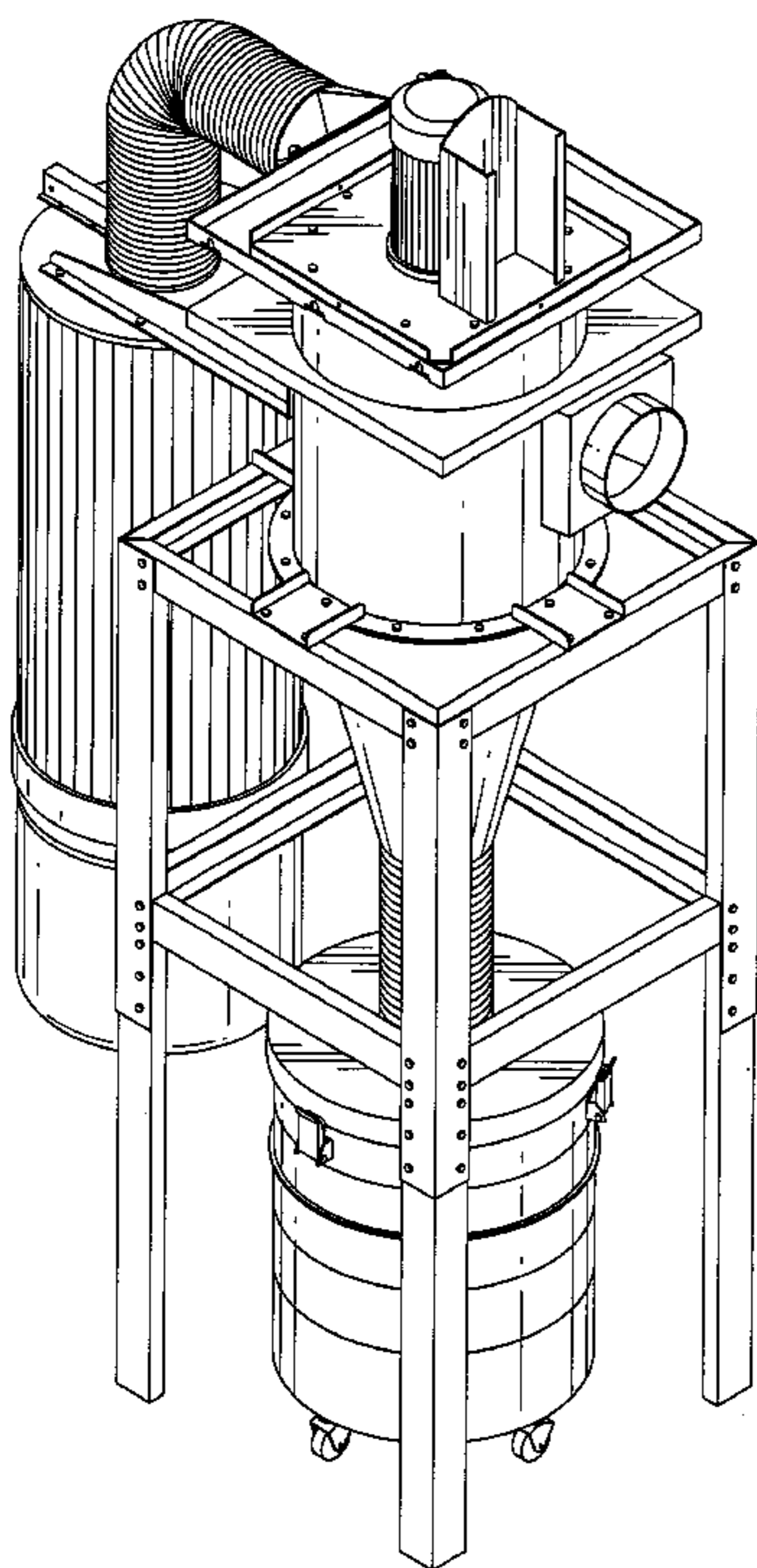
FIG. 4 is a left side elevational view thereof;

FIG. 5 is a right side elevational view thereof;

FIG. 6 is a top plan view thereof; and,

FIG. 7 is a bottom plan view thereof.

**1 Claim, 6 Drawing Sheets**



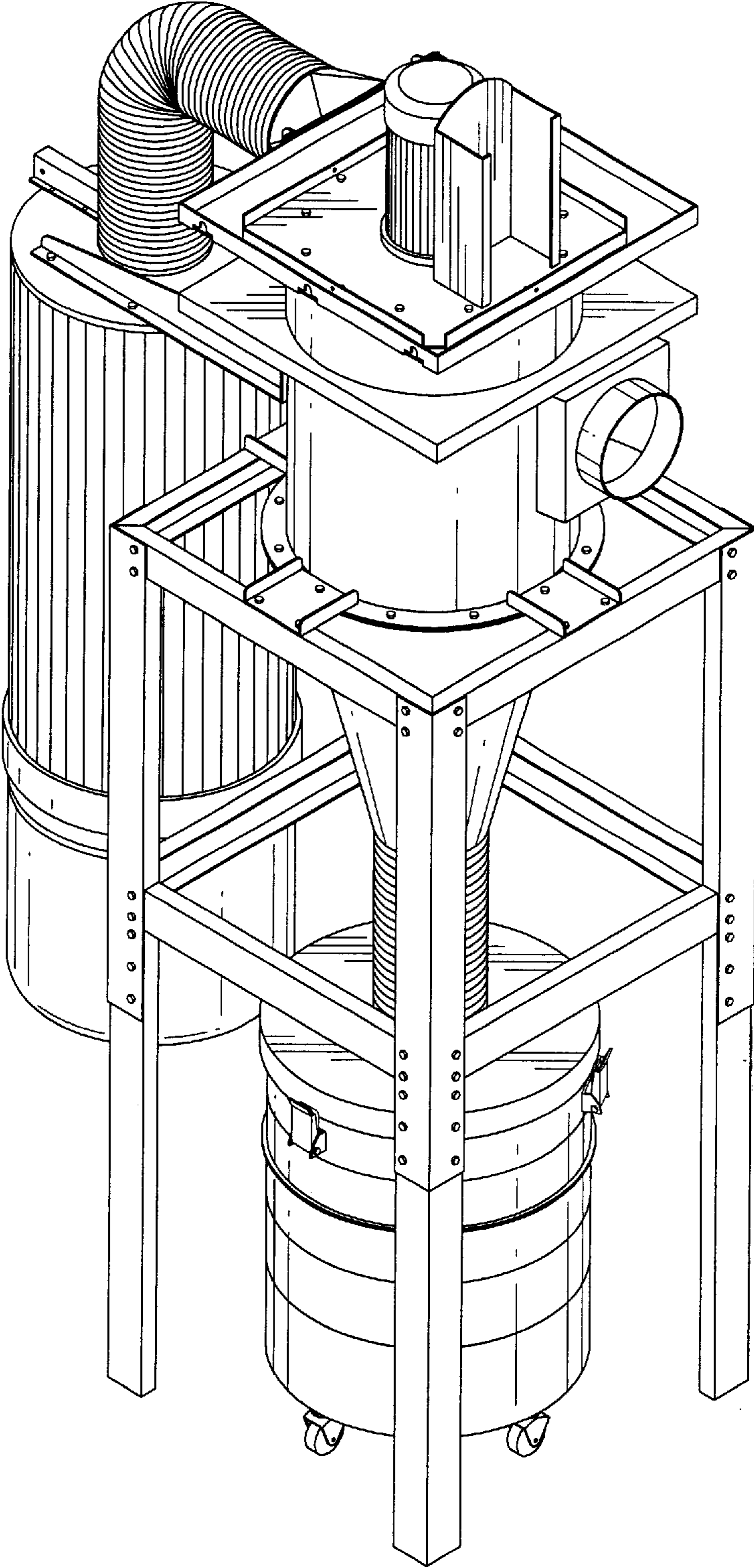


FIG. 1

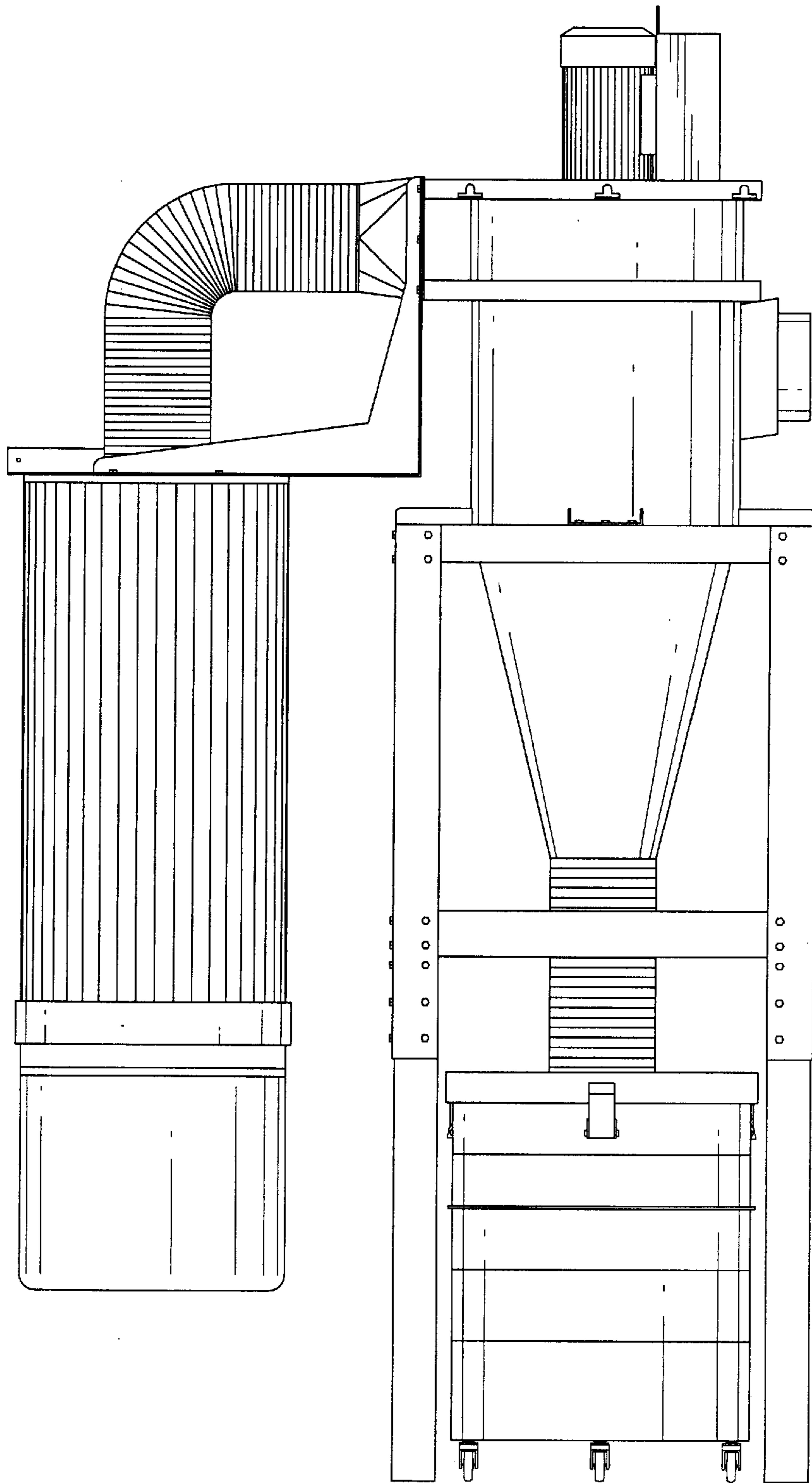


FIG. 2

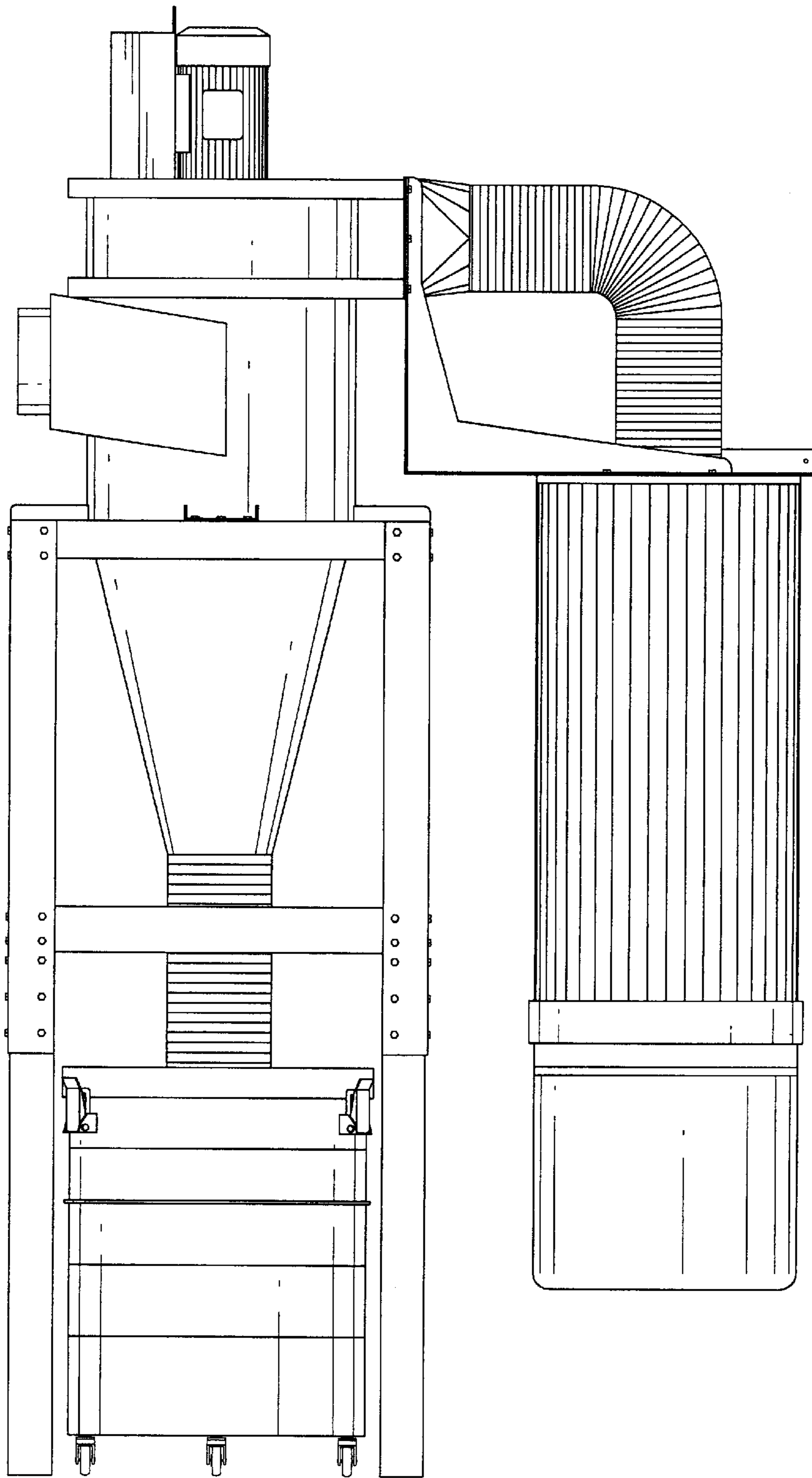


FIG. 3

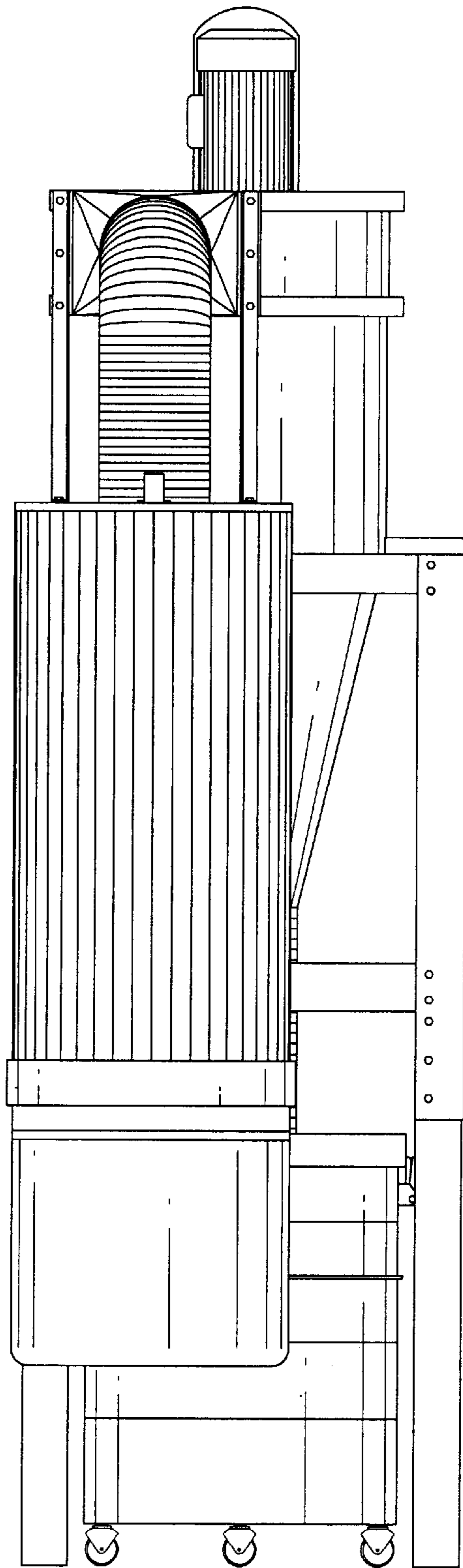


FIG. 4

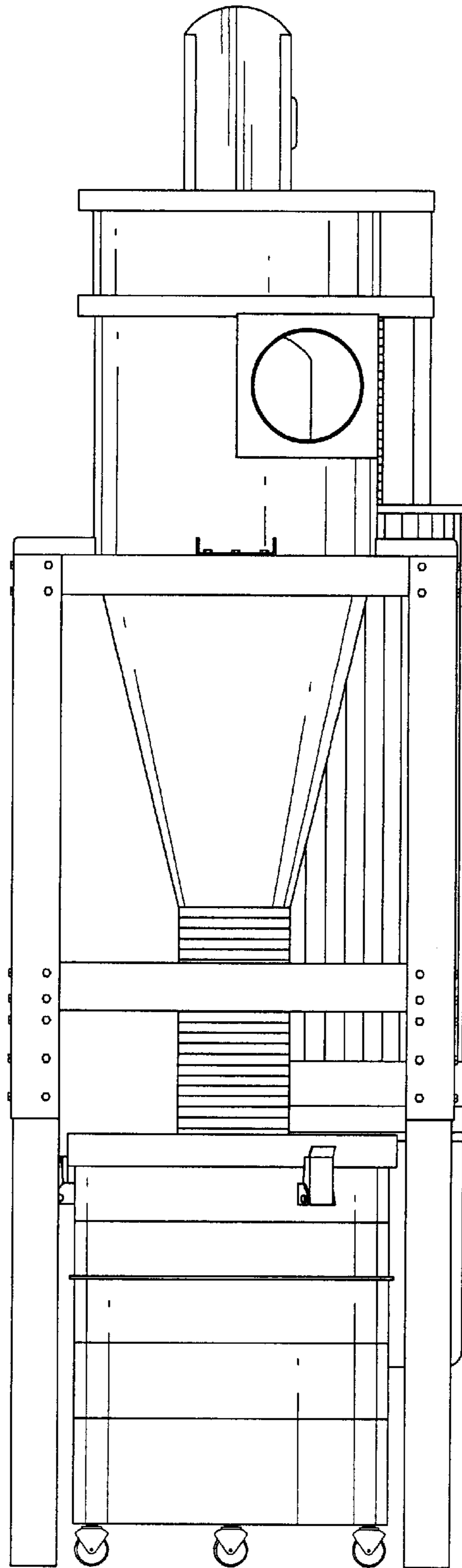


FIG. 5

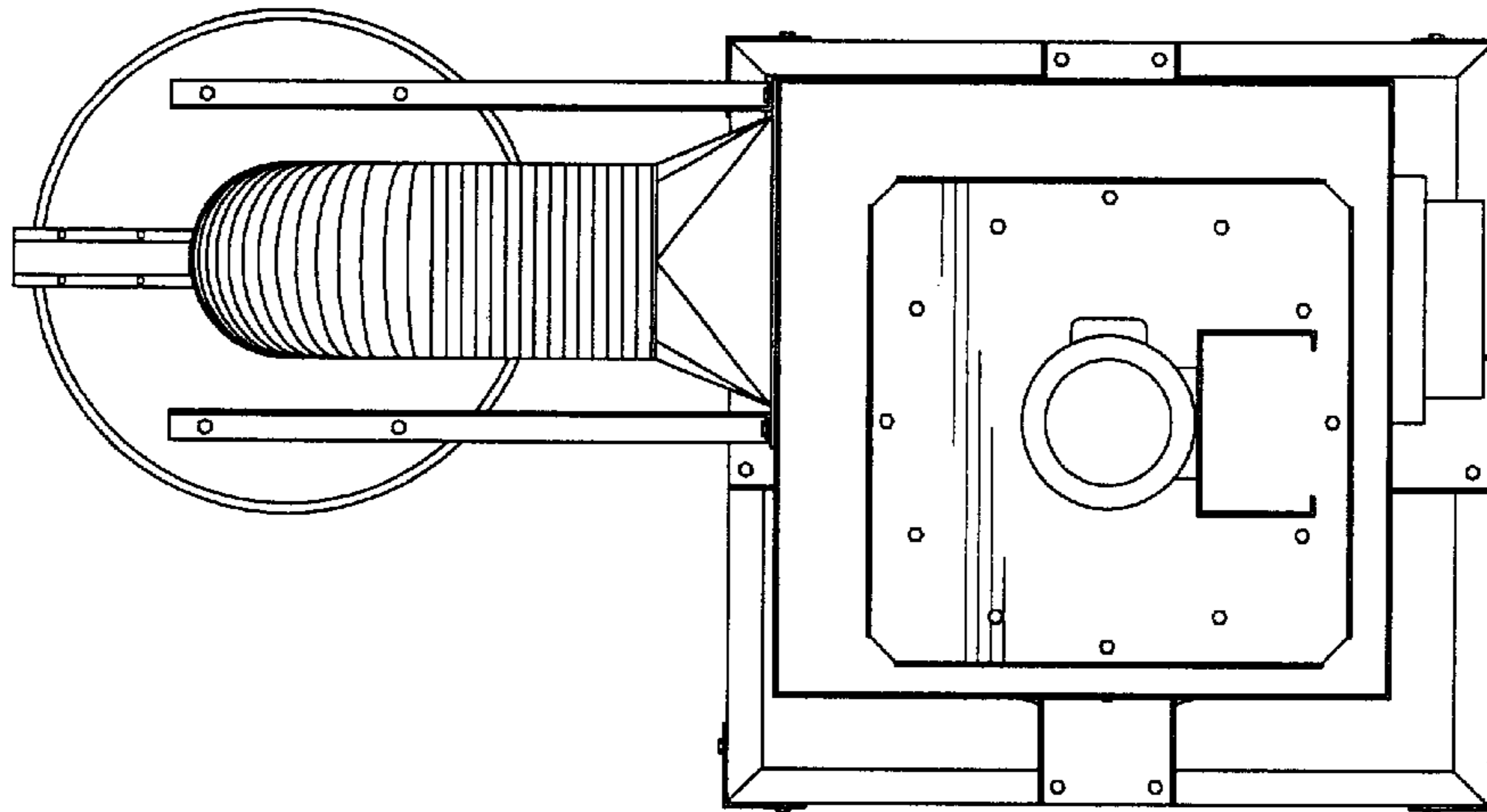


FIG. 6

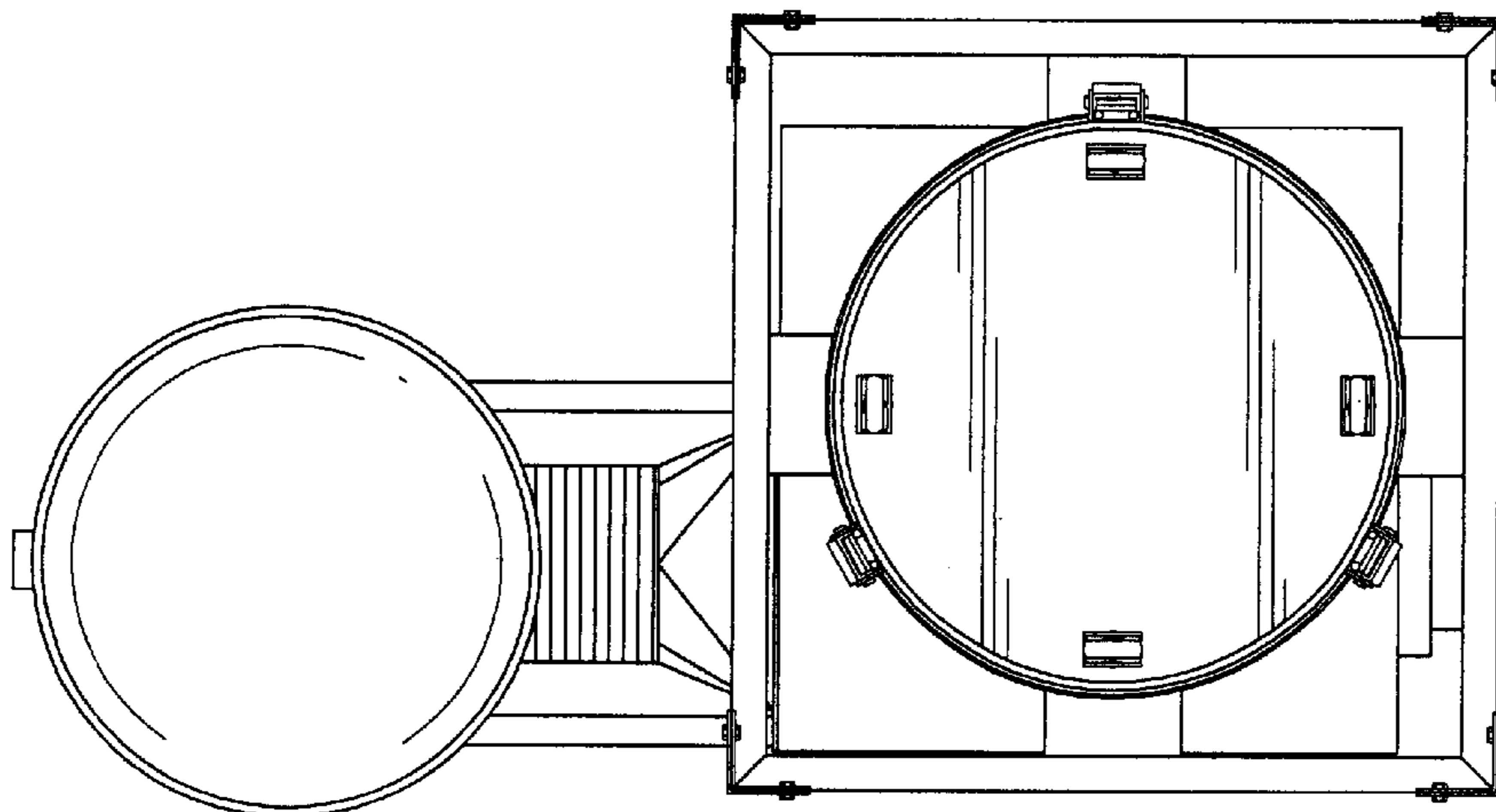


FIG. 7