



US00D533690S

(12) **United States Design Patent**
Kitchen et al.

(10) **Patent No.:** **US D533,690 S**

(45) **Date of Patent:** **** Dec. 12, 2006**

(54) **PARTS WASHING SYSTEM**

(75) Inventors: **Alan Kitchen**, Bratenahl, OH (US);
Joseph Tomaro, Maple Heights, OH
(US)

(73) Assignee: **State Industrial Products**, Cleveland,
OH (US)

(**) **Term:** **14 Years**

(21) Appl. No.: **29/207,163**

(22) Filed: **Jun. 10, 2004**

(51) **LOC (8) Cl.** **15-05**

(52) **U.S. Cl.** **D32/1**

(58) **Field of Classification Search** D32/1,
D32/16, 4; 134/172, 198, 200, 169 A, 184,
134/102, 186, 58 R, 111, 176, 188; 239/247
See application file for complete search history.

(56) **References Cited**

U.S. PATENT DOCUMENTS

D271,146 S	*	10/1983	Burghard et al.	D32/4
D275,426 S	*	9/1984	Edge	D32/4
5,232,299 A	*	8/1993	Hiss	401/143
5,398,708 A	*	3/1995	Sheldon	134/86

5,720,308 A	*	2/1998	Danowski et al.	134/111
6,044,854 A	*	4/2000	Marks	134/111
6,109,277 A	*	8/2000	Linton et al.	134/56 R
6,874,512 B1	*	4/2005	Publ et al.	134/57 R

* cited by examiner

Primary Examiner—Louis S. Zarfaz

Assistant Examiner—Kathleen Sims

(74) *Attorney, Agent, or Firm*—Tarolli, Sundheim, Covell
& Tummino LLP

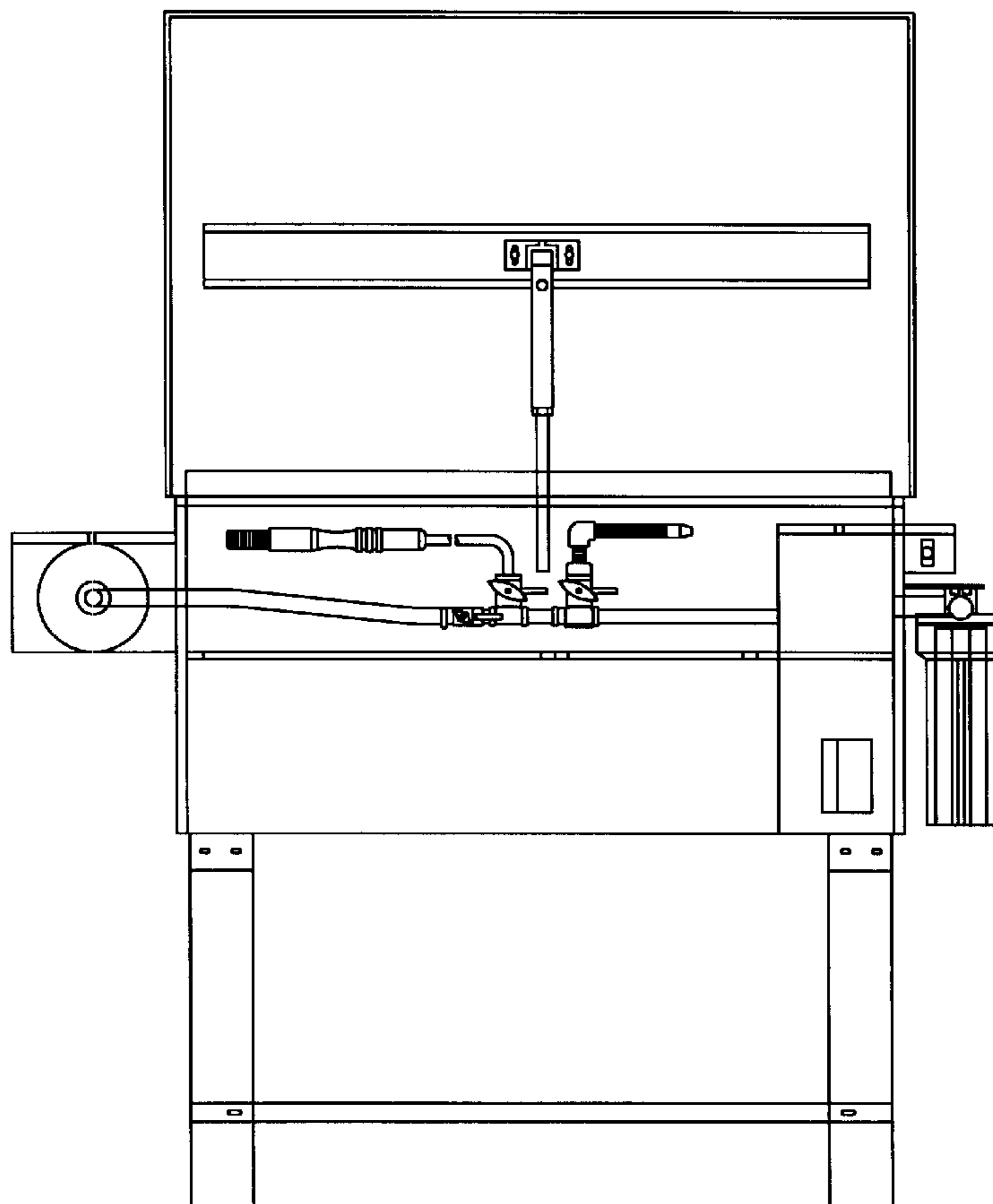
(57) **CLAIM**

The ornamental design for a parts washing system, substantially as shown and described.

DESCRIPTION

FIG. 1 is a front view of the parts washing system;
FIG. 2 is a right-hand side view of the parts washing system of FIG. 1;
FIG. 3 is a left-hand side view of the parts washing system of FIG. 1;
FIG. 4 is a top view of the parts washing system of FIG. 1;
and,
FIG. 5 is a bottom view of the parts washing system of FIG. 1.

1 Claim, 4 Drawing Sheets



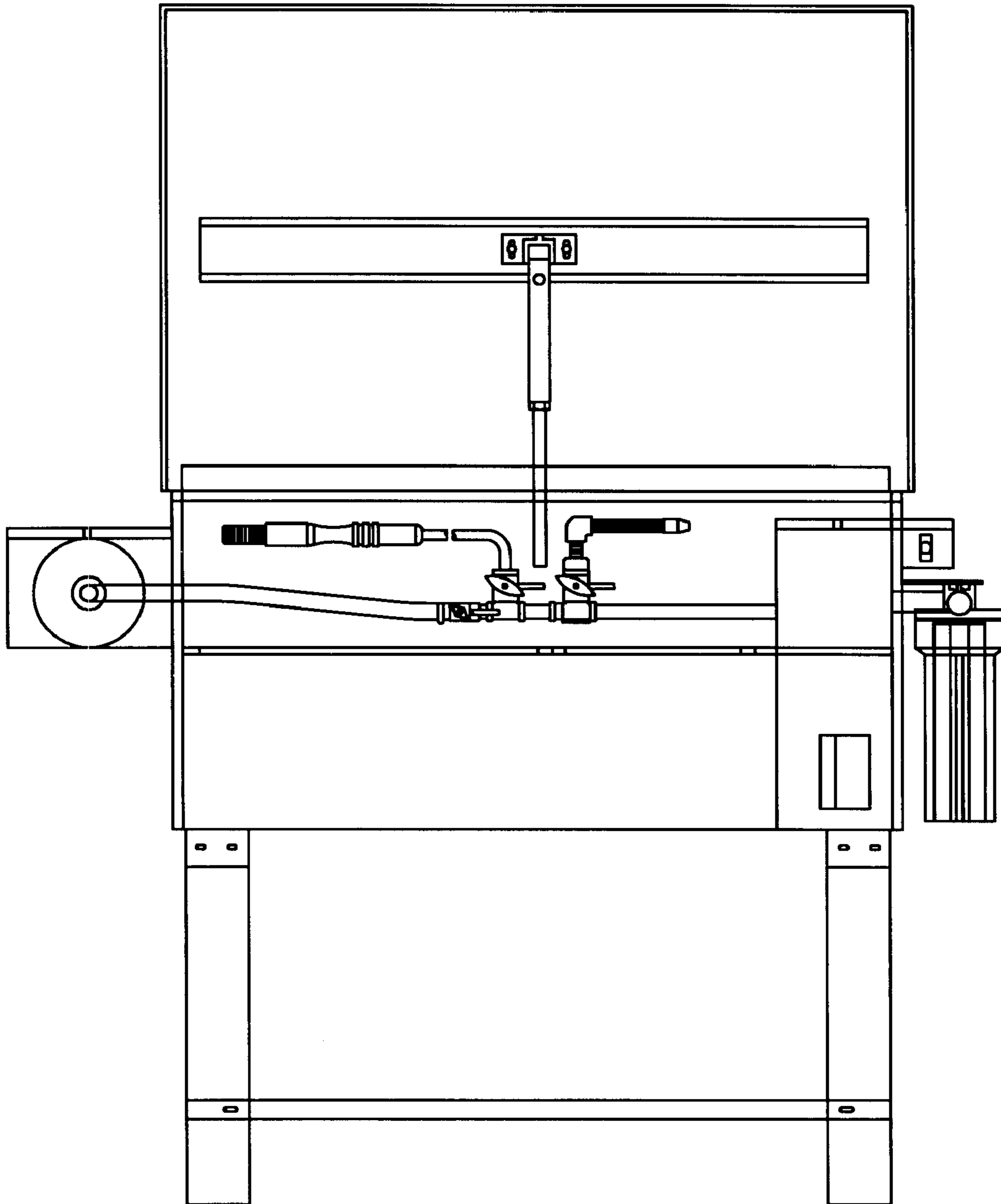


Fig.1

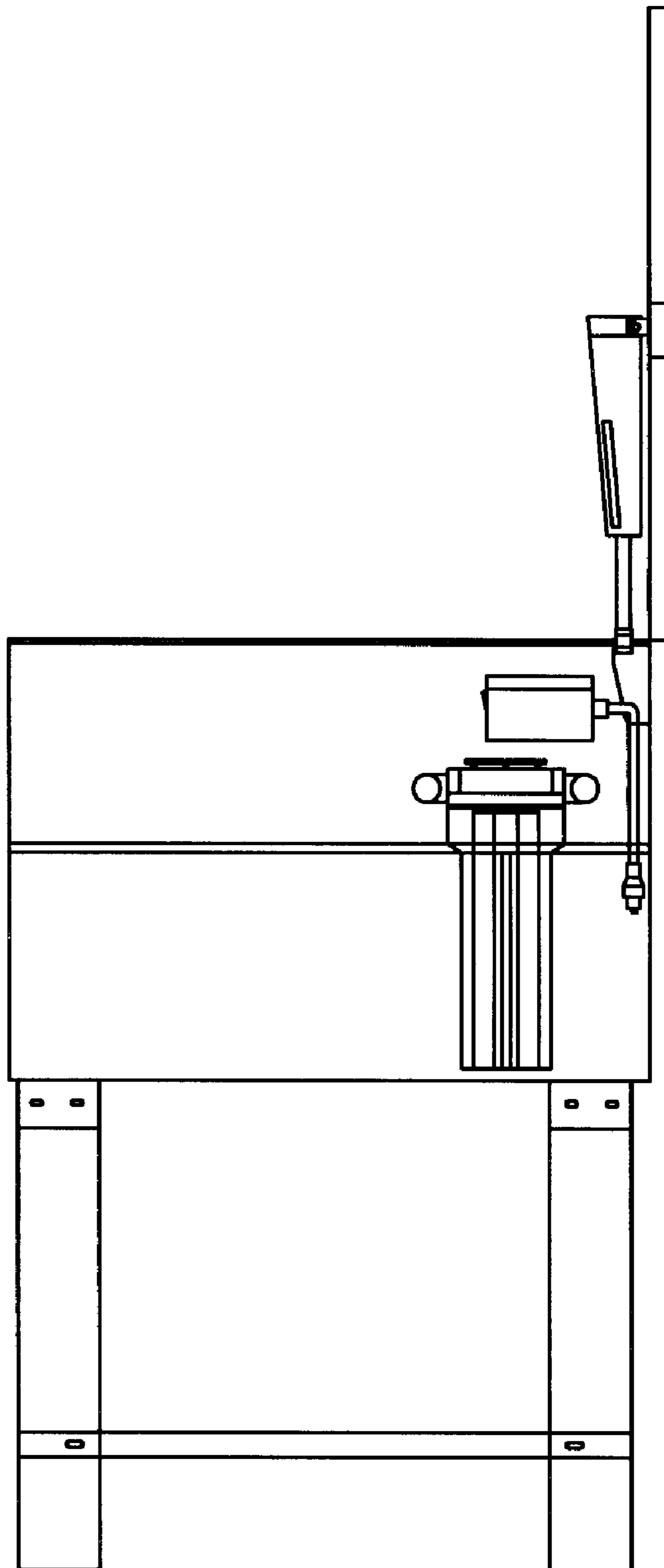


Fig.2

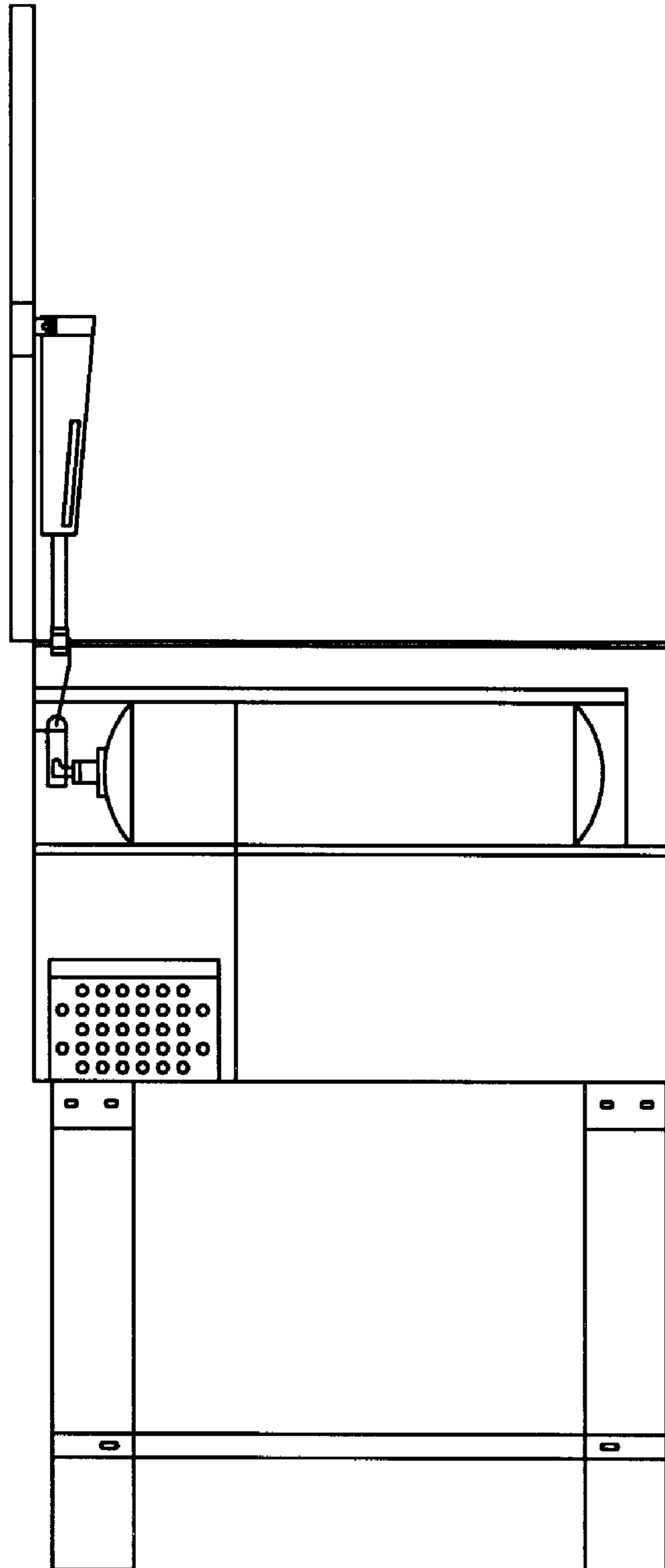


Fig.3

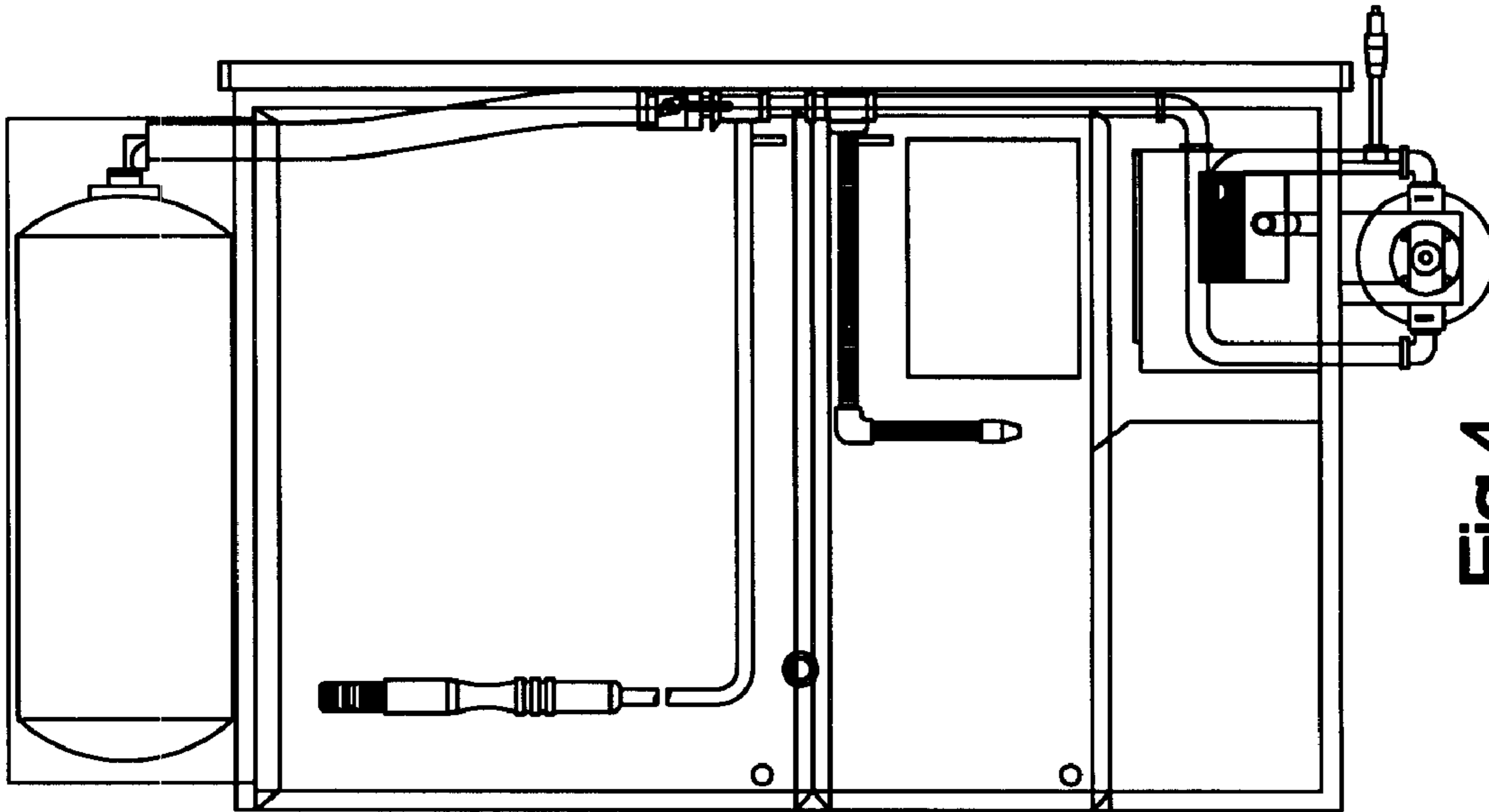


Fig. 4

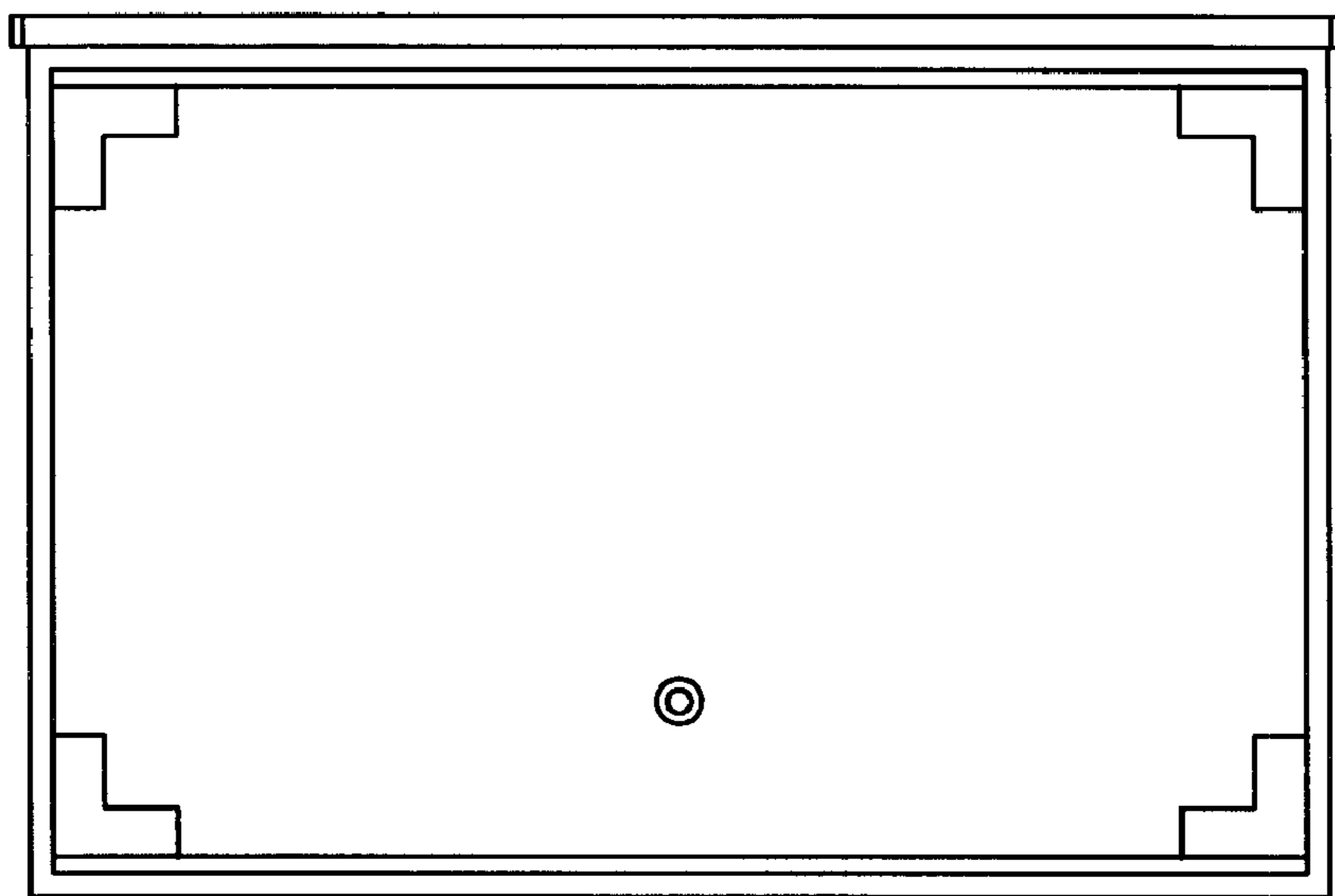


Fig. 5