



US00D533685S

(12) **United States Design Patent**  
**Nobuto et al.**

(10) **Patent No.:** **US D533,685 S**

(45) **Date of Patent:** **\*\* Dec. 12, 2006**

(54) **COMPACT**

(75) Inventors: **Yoji Nobuto**, Tokyo (JP); **Ippei Murata**, Tokyo (JP)

(73) Assignee: **Shiseido Co., Ltd.**, Tokyo (JP)

(\*\*) Term: **14 Years**

(21) Appl. No.: **29/233,213**

(22) Filed: **Jun. 30, 2005**

(51) **LOC (8) Cl.** ..... **28-03**

(52) **U.S. Cl.** ..... **D28/83**

(58) **Field of Classification Search** ..... D28/76-83;  
132/293-307, 315; 206/581, 823

See application file for complete search history.

(56) **References Cited**

**U.S. PATENT DOCUMENTS**

D79,831 S \* 11/1929 Lyddane ..... D28/78  
D496,133 S \* 9/2004 Dittmer et al. .... D28/83

2003/0172949 A1 \* 9/2003 Alexander et al. .... 132/303

\* cited by examiner

*Primary Examiner*—Jennifer Rivard

(74) *Attorney, Agent, or Firm*—Manabu Kanesaka

(57) **CLAIM**

The ornamental design for a compact, as shown and described.

**DESCRIPTION**

FIG. 1 is a perspective view of a compact showing our new design;

FIG. 2 is a front view thereof;

FIG. 3 is a rear view thereof;

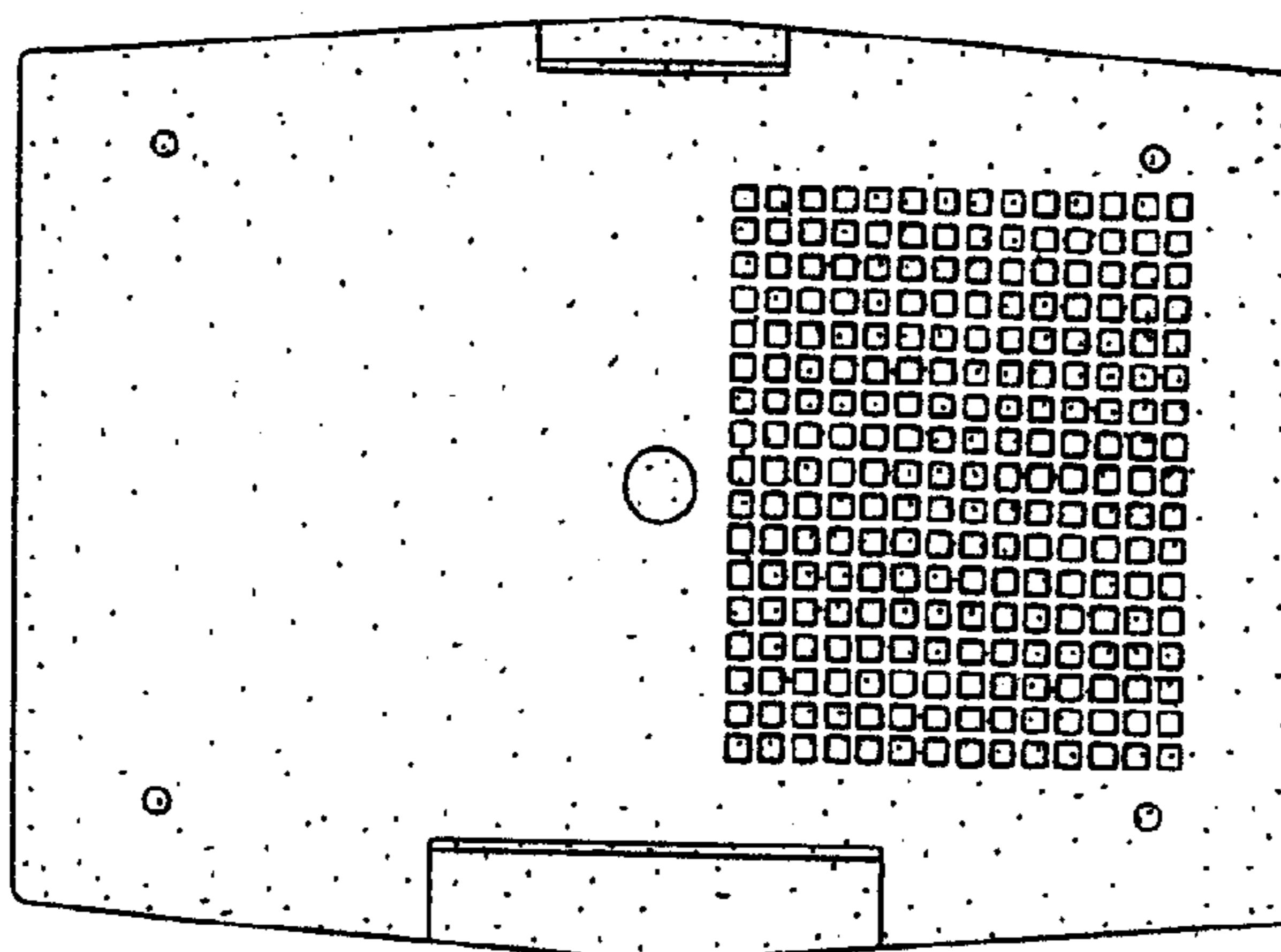
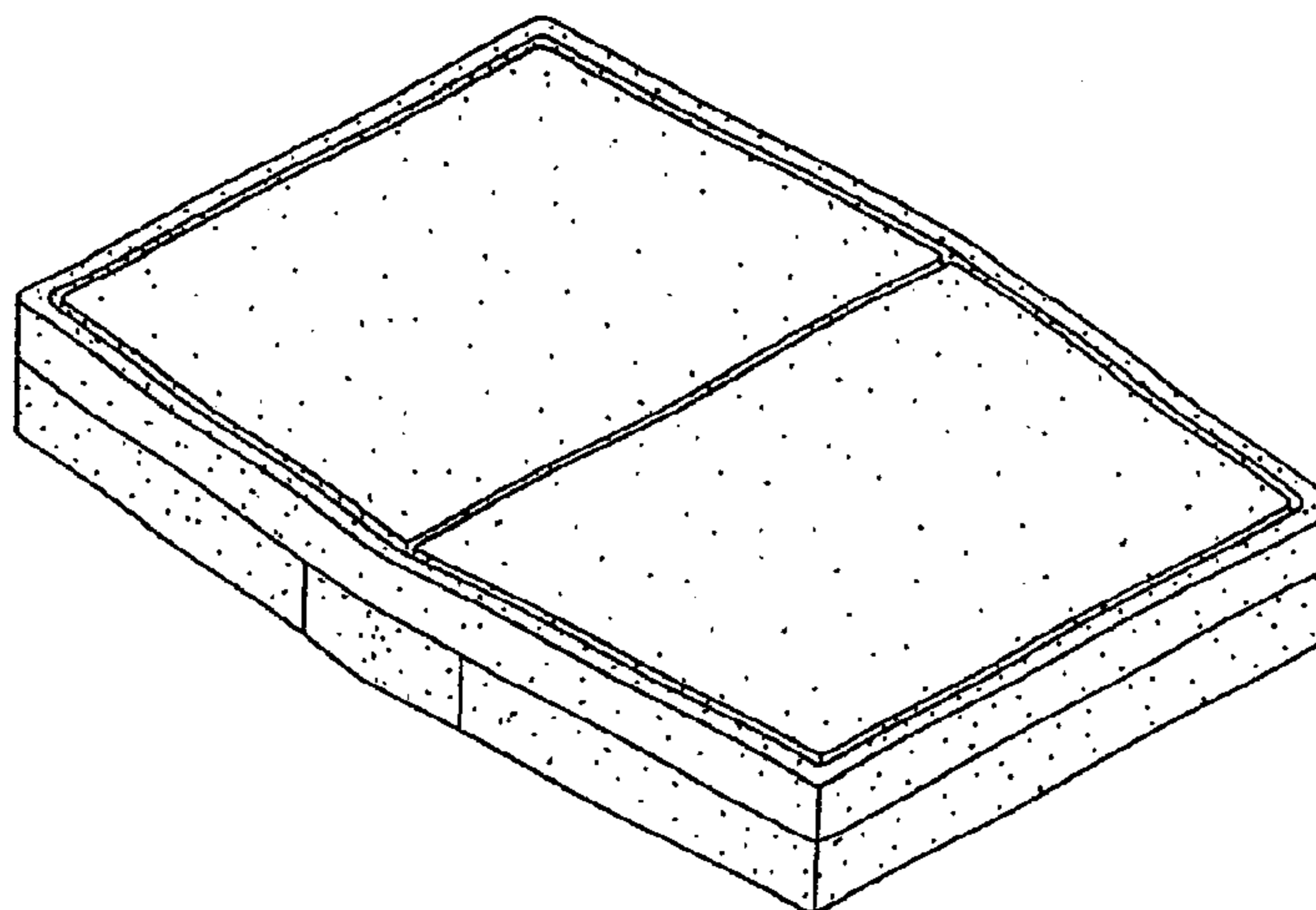
FIG. 4 is a right side view thereof, a left side view being symmetrical to the right side view;

FIG. 5 is a plan view thereof;

FIG. 6 is a bottom view thereof; and,

FIG. 7 is a plan view with the lid cover opened.

**1 Claim, 3 Drawing Sheets**



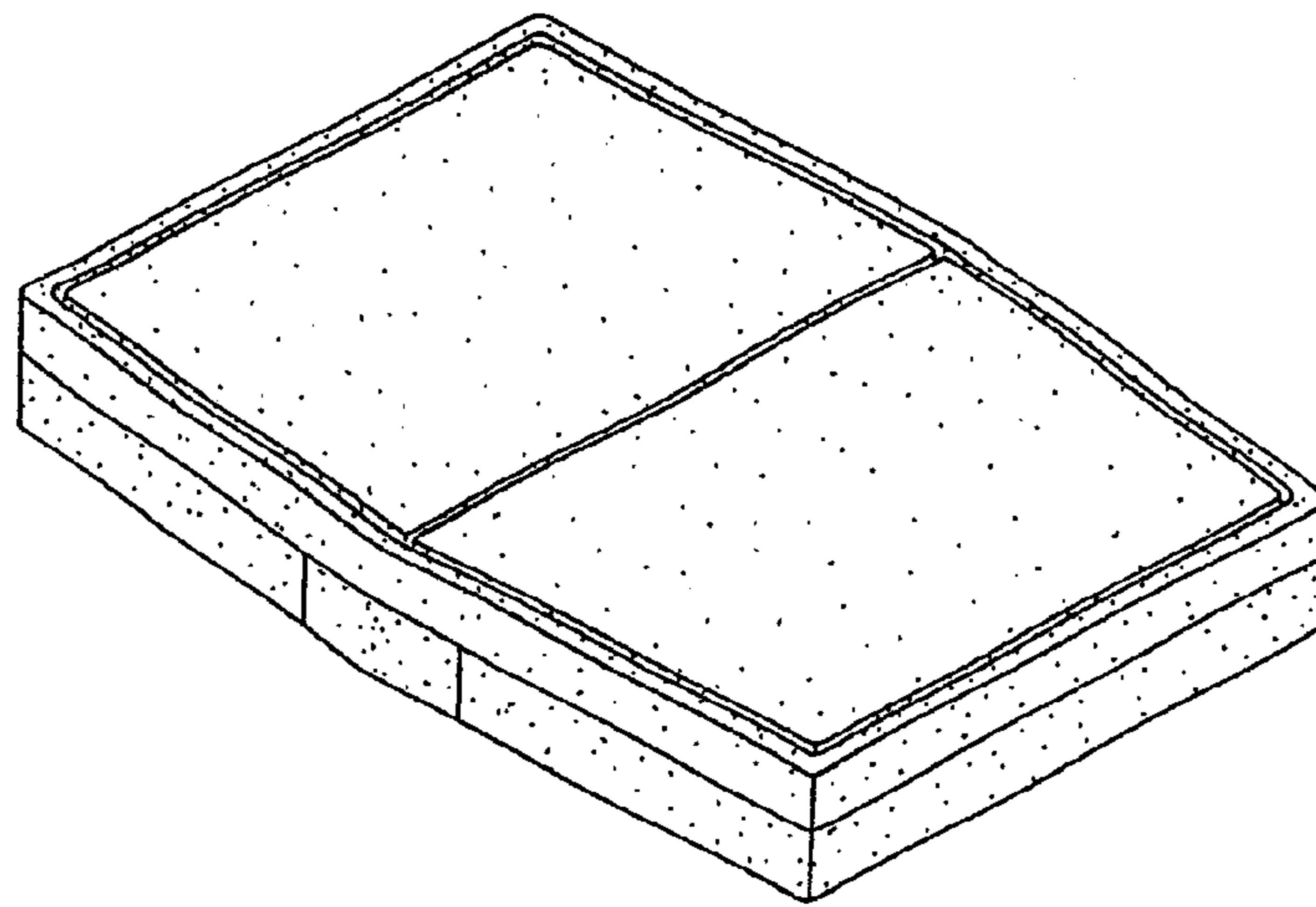


Fig. 1

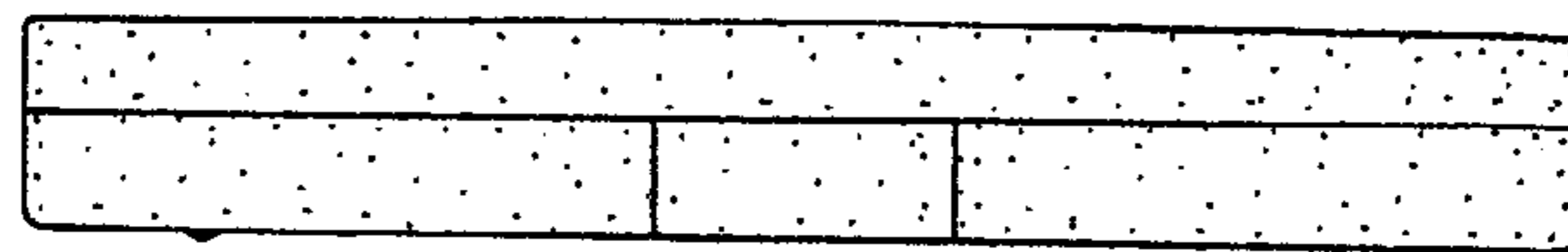


Fig. 2



Fig. 3

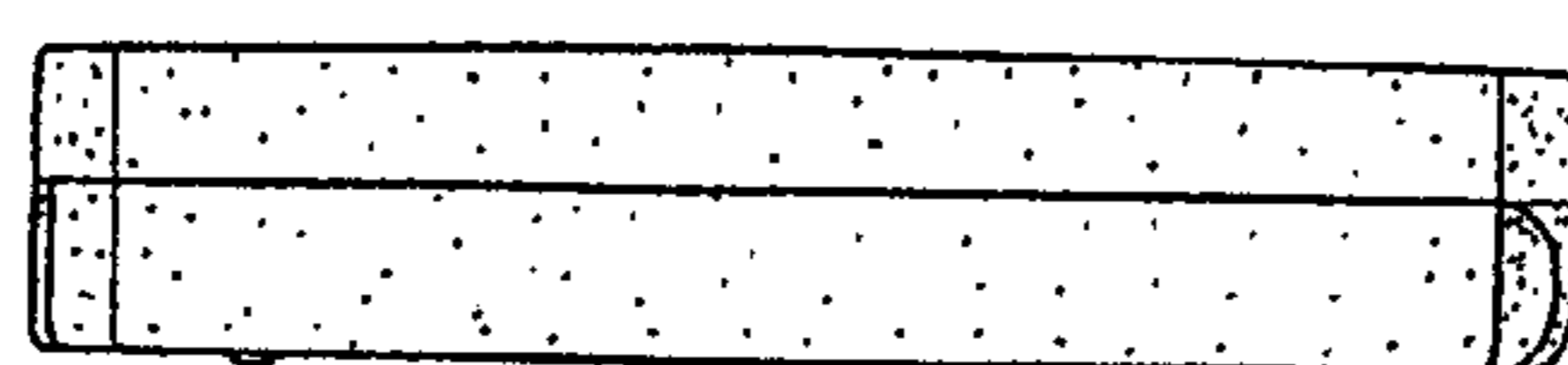


Fig. 4

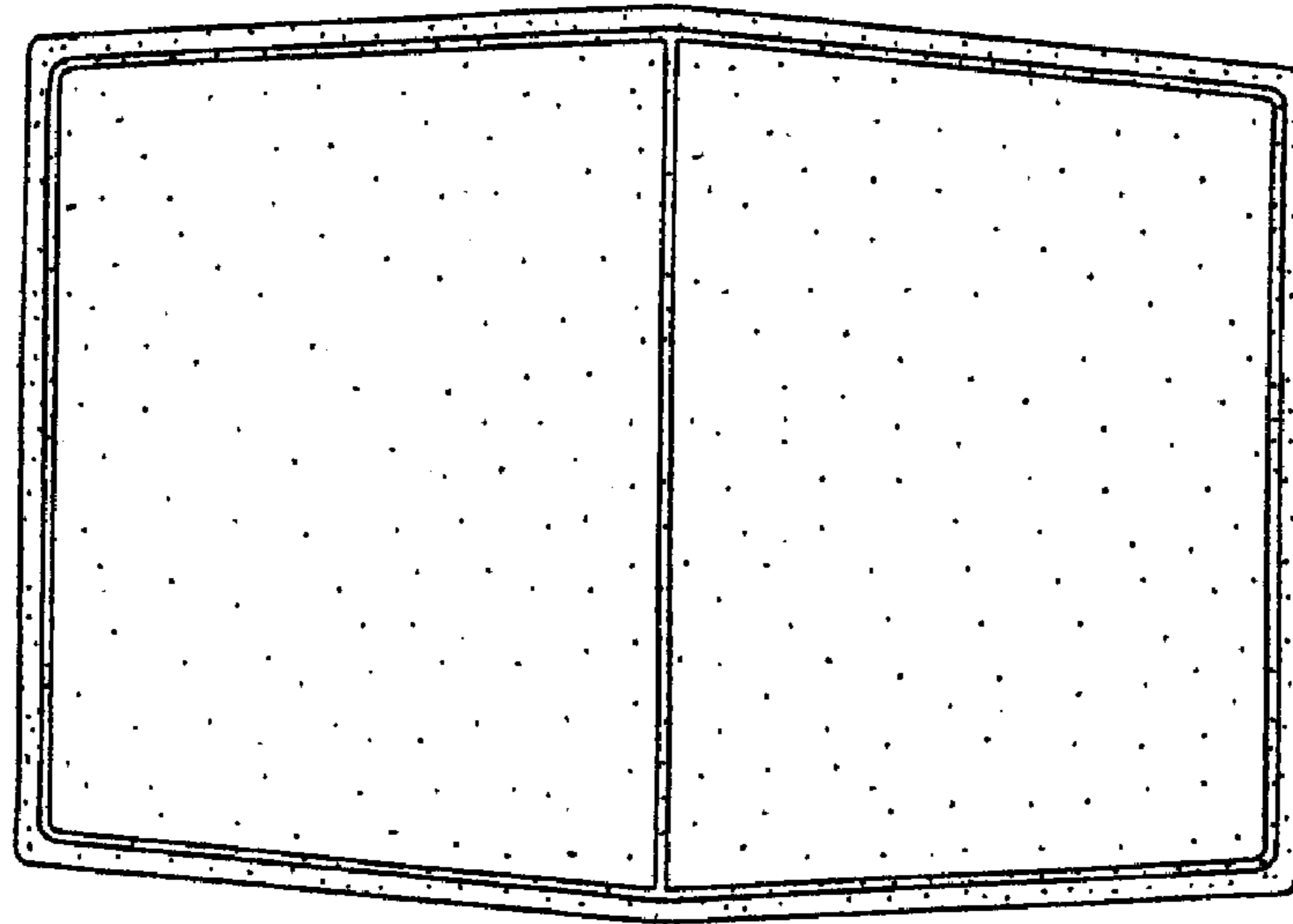


Fig. 5

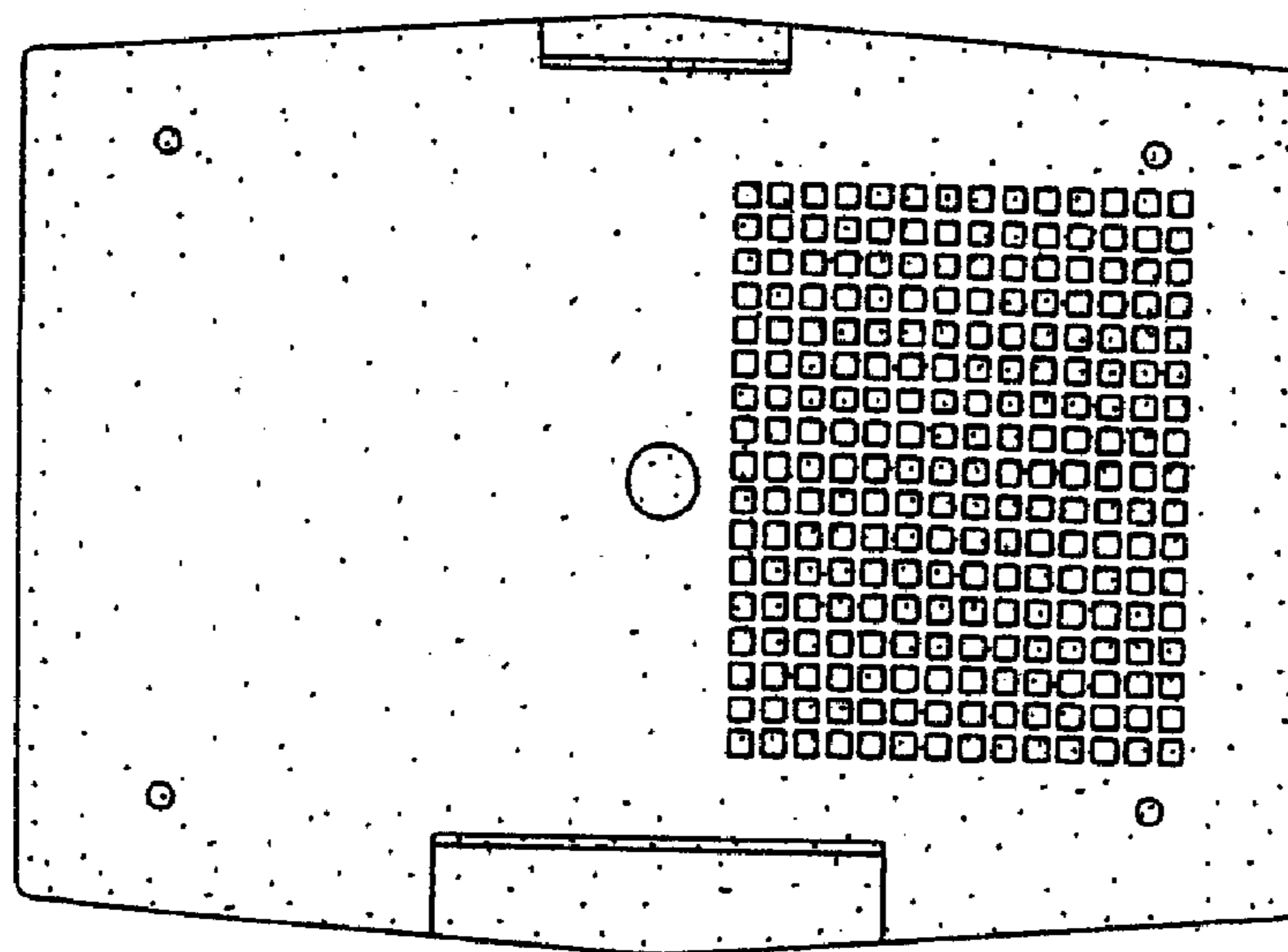


Fig. 6

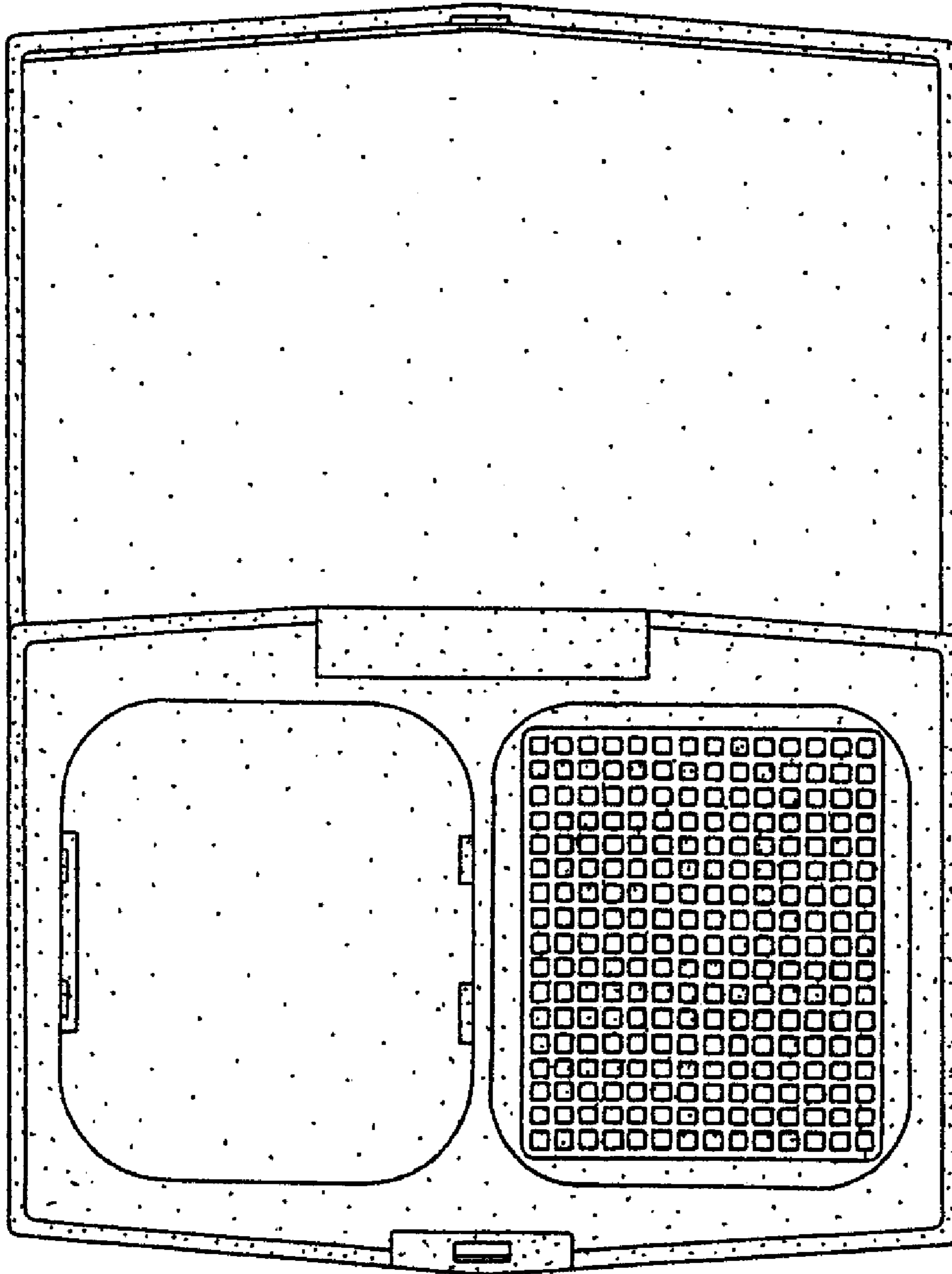


Fig. 7