



US00D533684S

(12) **United States Design Patent**
Gray et al.

(10) **Patent No.:** **US D533,684 S**

(45) **Date of Patent:** **** Dec. 12, 2006**

(54) **RAZOR CARTRIDGE**

2005/0188539 A1 * 9/2005 Prudden et al. 30/41
2005/0198841 A1 * 9/2005 Worrick 30/527

(75) Inventors: **Michael J. Gray**, Duxbury, MA (US);
Craig Provost, South Boston, MA (US)

* cited by examiner

(73) Assignee: **The Gillette Company**, Boston, MA
(US)

Primary Examiner—Jennifer Rivard
(74) *Attorney, Agent, or Firm*—Edward S. Podszue

(**) Term: **14 Years**

(57) **CLAIM**

(21) Appl. No.: **29/224,093**

The ornamental design for a razor cartridge, as shown.

(22) Filed: **Feb. 24, 2005**

DESCRIPTION

(51) **LOC (8) Cl.** **28-03**

FIG. 1 is a top perspective view of a razor cartridge showing my new design;

(52) **U.S. Cl.** **D28/47**

FIG. 2 is a top plan view thereof;

(58) **Field of Classification Search** 30/32,
30/34.05, 34.1, 34.2, 40, 41, 41.5–41.8, 44–51,
30/57, 81, 82, 537, 538, 346.5, 346.57; D28/44,
D28/44.1, 45–48

FIG. 3 is a left side elevational view, the right side elevational view being a mirror image thereof;

See application file for complete search history.

FIG. 4 is a bottom plan view thereof;

FIG. 5 is a front elevation view thereof; and,

FIG. 6 is a rear elevation view thereof.

(56) **References Cited**

U.S. PATENT DOCUMENTS

D415,315 S * 10/1999 Swanson et al. D28/47

1 Claim, 6 Drawing Sheets

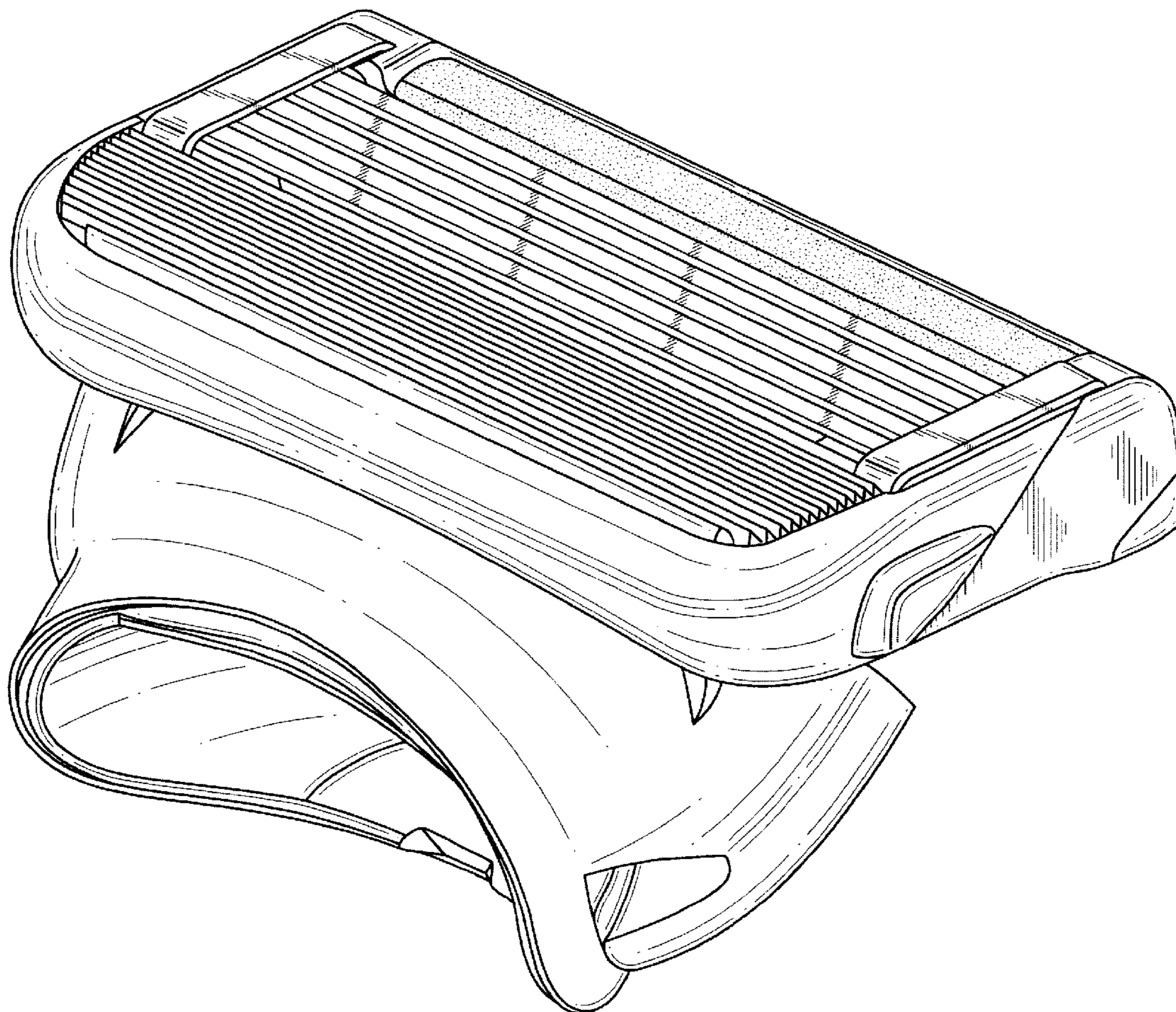


FIG. 1

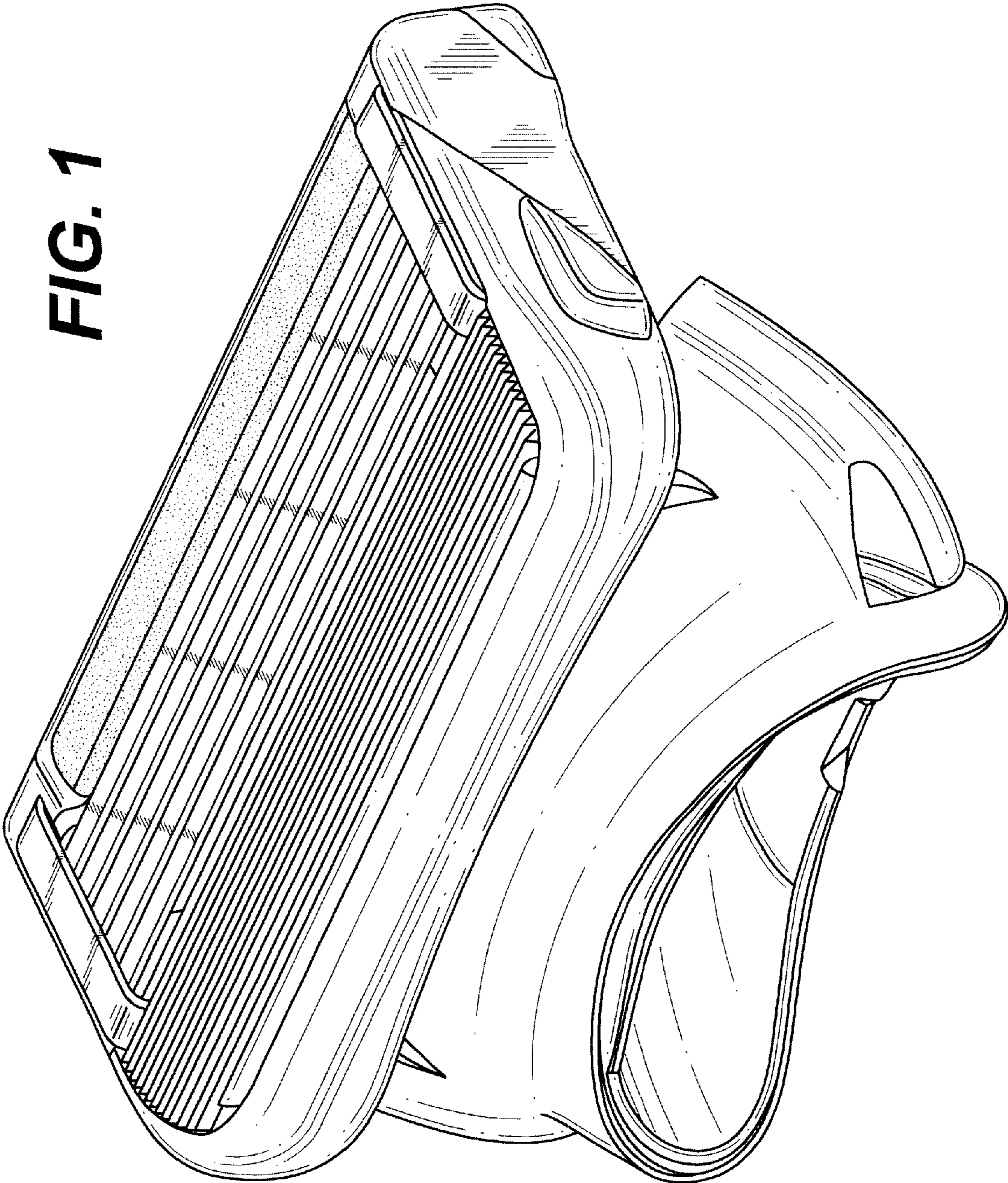


FIG. 2

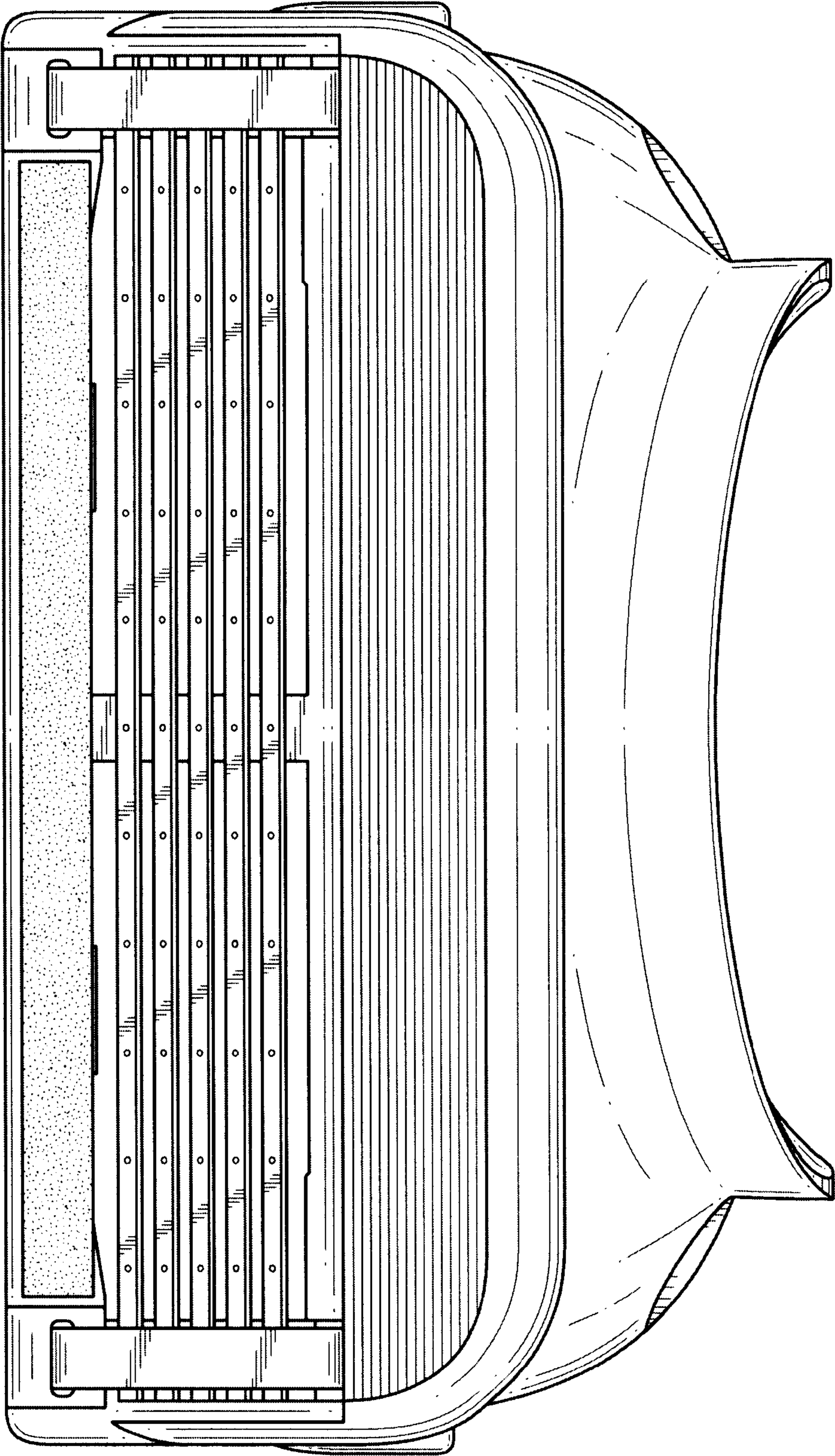


FIG. 3

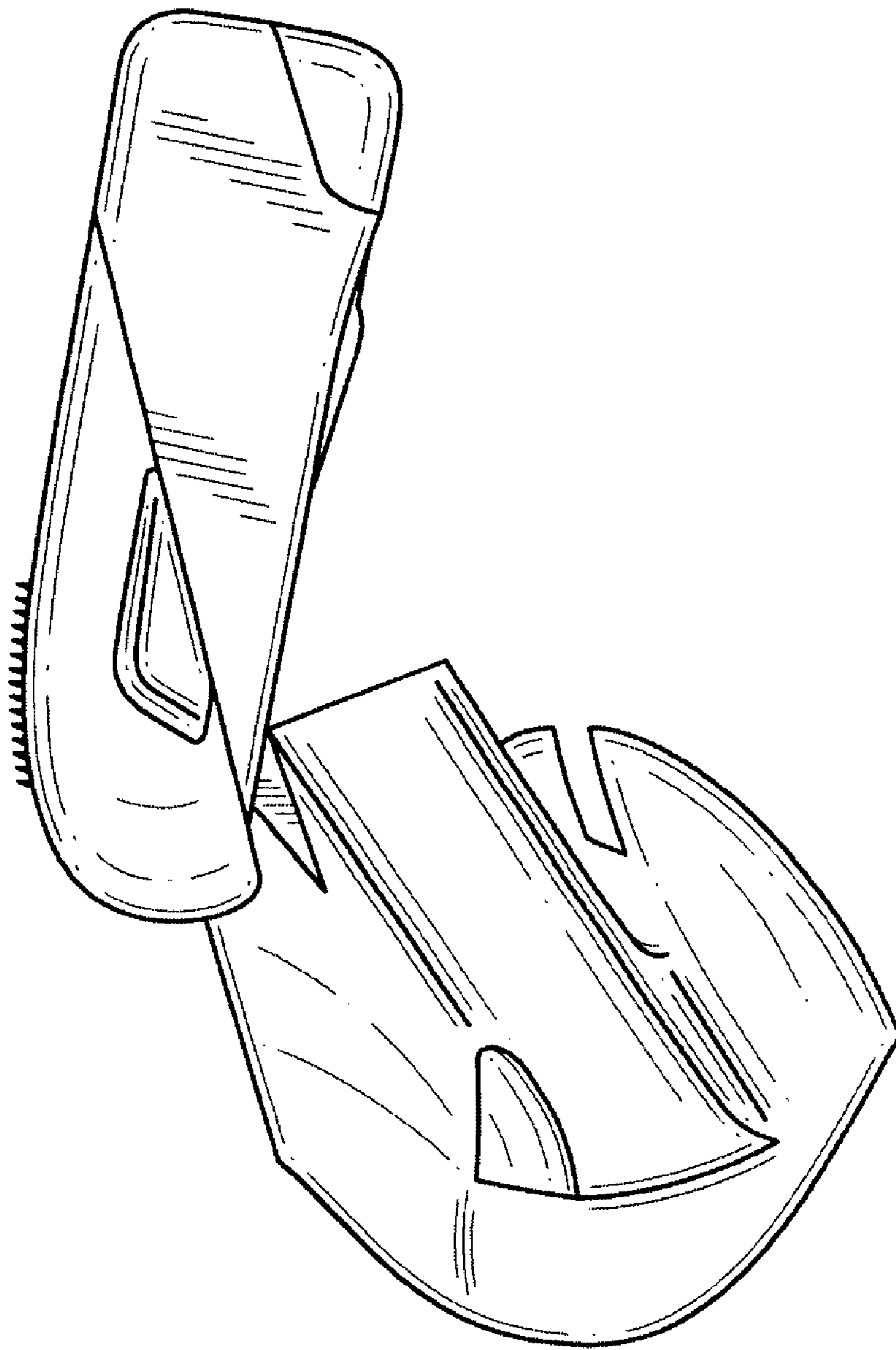


FIG. 4

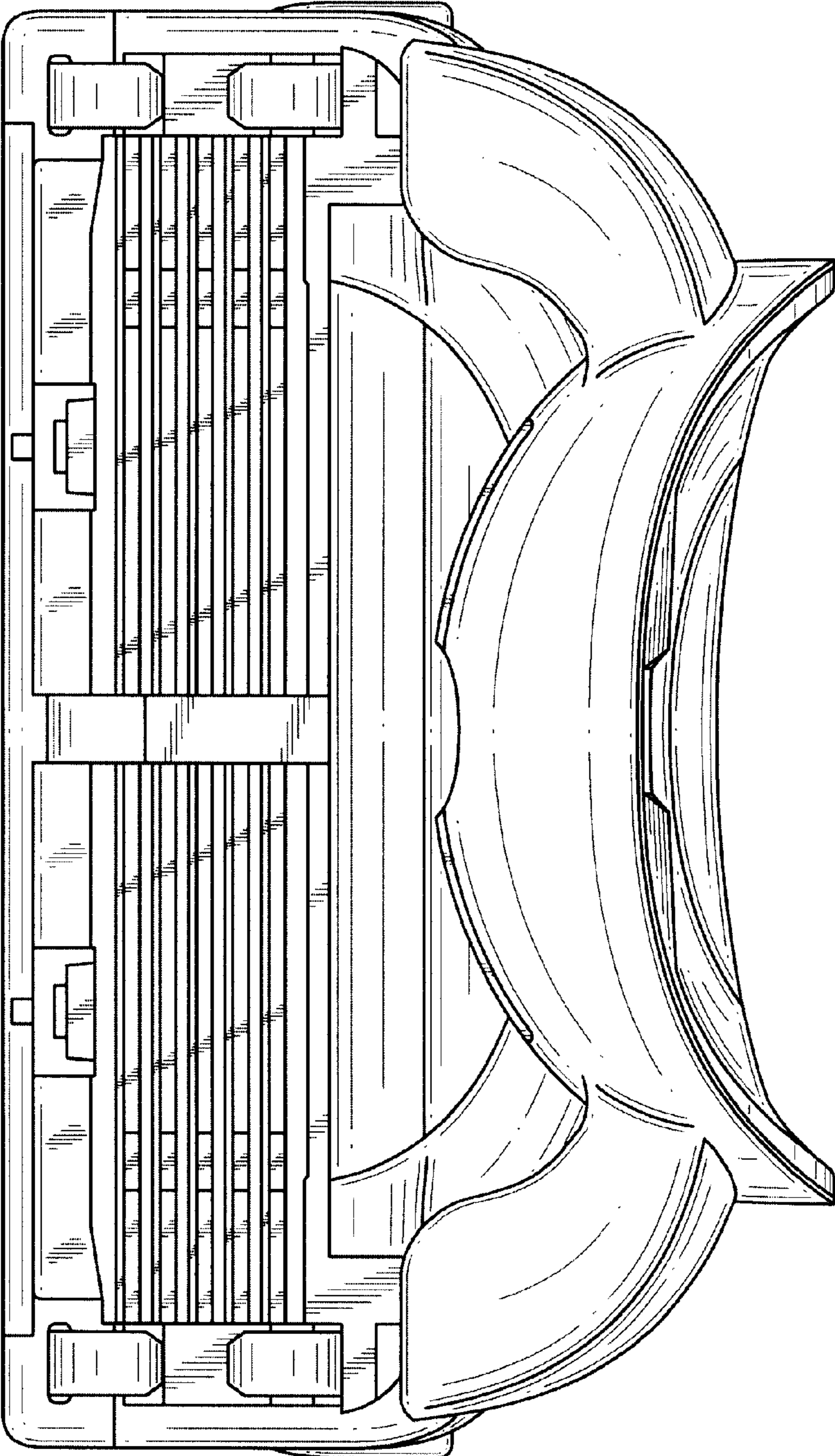


FIG. 5

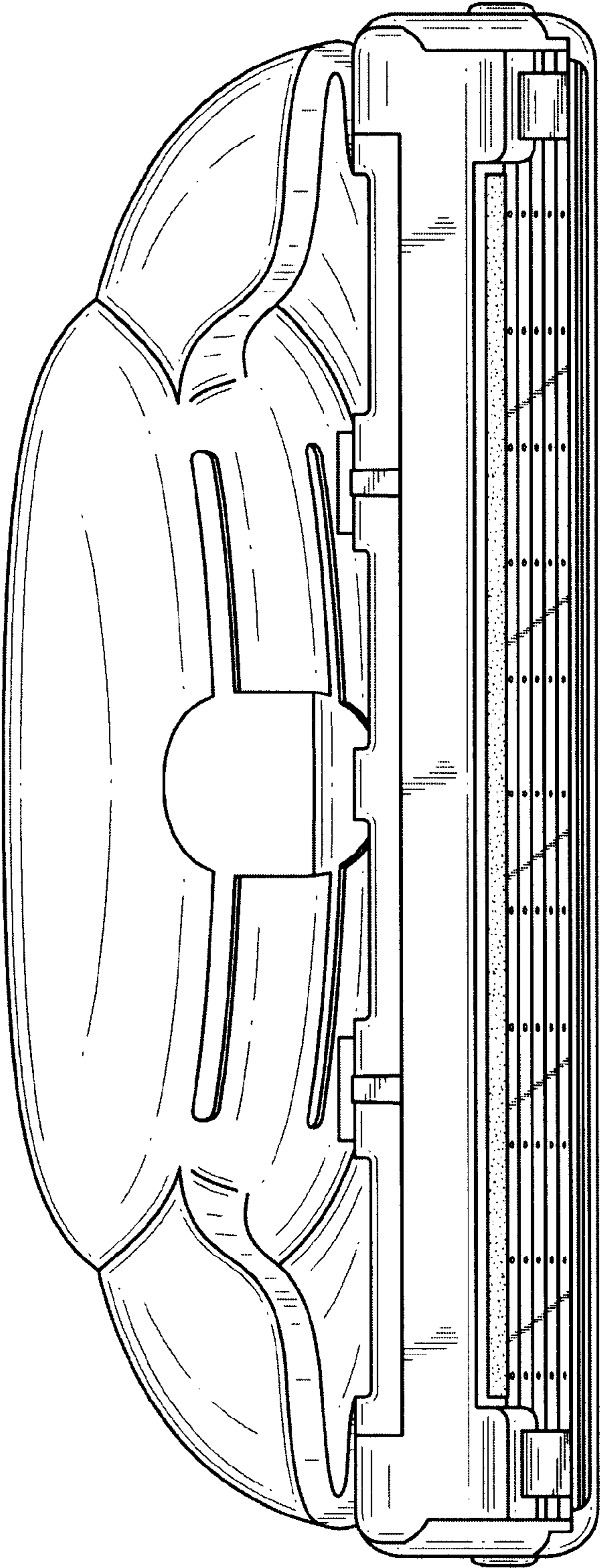


FIG. 6

