



US00D533679S

(12) **United States Design Patent**  
**Binnix et al.**

(10) **Patent No.:** **US D533,679 S**

(45) **Date of Patent:** **\*\* Dec. 12, 2006**

(54) **CHANDELIER**

(75) Inventors: **Justin Binnix**, Arnold, MD (US); **Lara Murray**, Ellicott City, MD (US); **Eleanor Niermann**, Annapolis, MD (US)

(73) Assignee: **Niermann Weeks Company**, Millersville, MD (US)

(\*\*) Term: **14 Years**

(21) Appl. No.: **29/234,967**

(22) Filed: **Jul. 26, 2005**

(51) **LOC (8) Cl.** ..... **26-99**

(52) **U.S. Cl.** ..... **D26/142**

(58) **Field of Classification Search** ..... D26/128,  
D26/142, 143, 152, 154, 118, 81, 85, 86,  
D26/59; 392/364; 362/147, 432, 237; D11/131,  
D11/121

See application file for complete search history.

(56) **References Cited**

**U.S. PATENT DOCUMENTS**

D380,861 S \* 7/1997 Kluck ..... D26/111

D408,095 S \* 4/1999 Porter ..... D26/81  
D430,691 S \* 9/2000 Von Kluck ..... D26/85  
D438,664 S \* 3/2001 Lewis ..... D26/86  
D444,904 S \* 7/2001 Orozco ..... D26/86

\* cited by examiner

*Primary Examiner*—Freda Nunn

*Assistant Examiner*—Kevin K. Rudzinski

(74) *Attorney, Agent, or Firm*—Heslin Rothenberg Farley & Mesiti P.C.

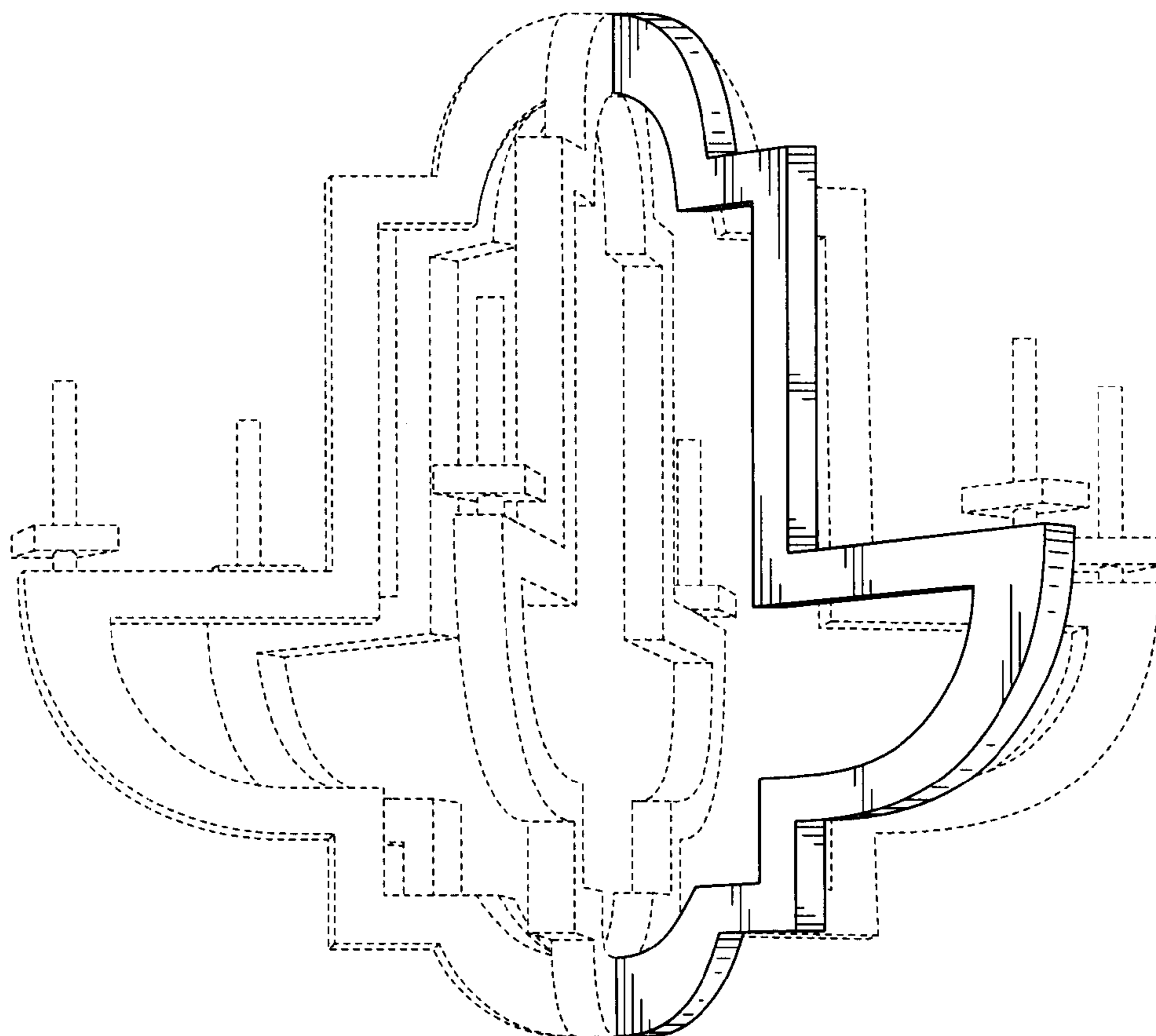
(57) **CLAIM**

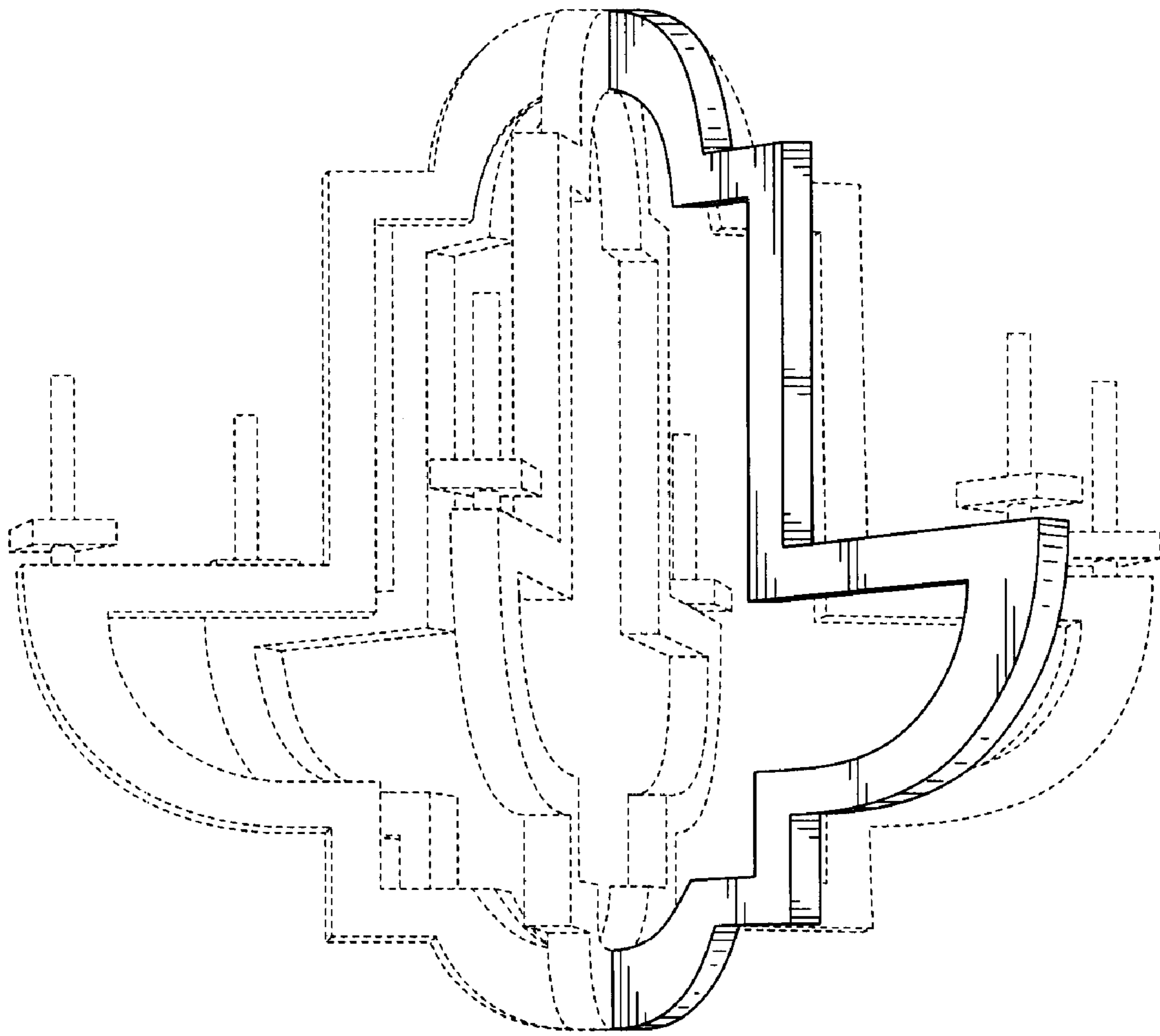
The ornamental design for a chandelier, as shown and described.

**DESCRIPTION**

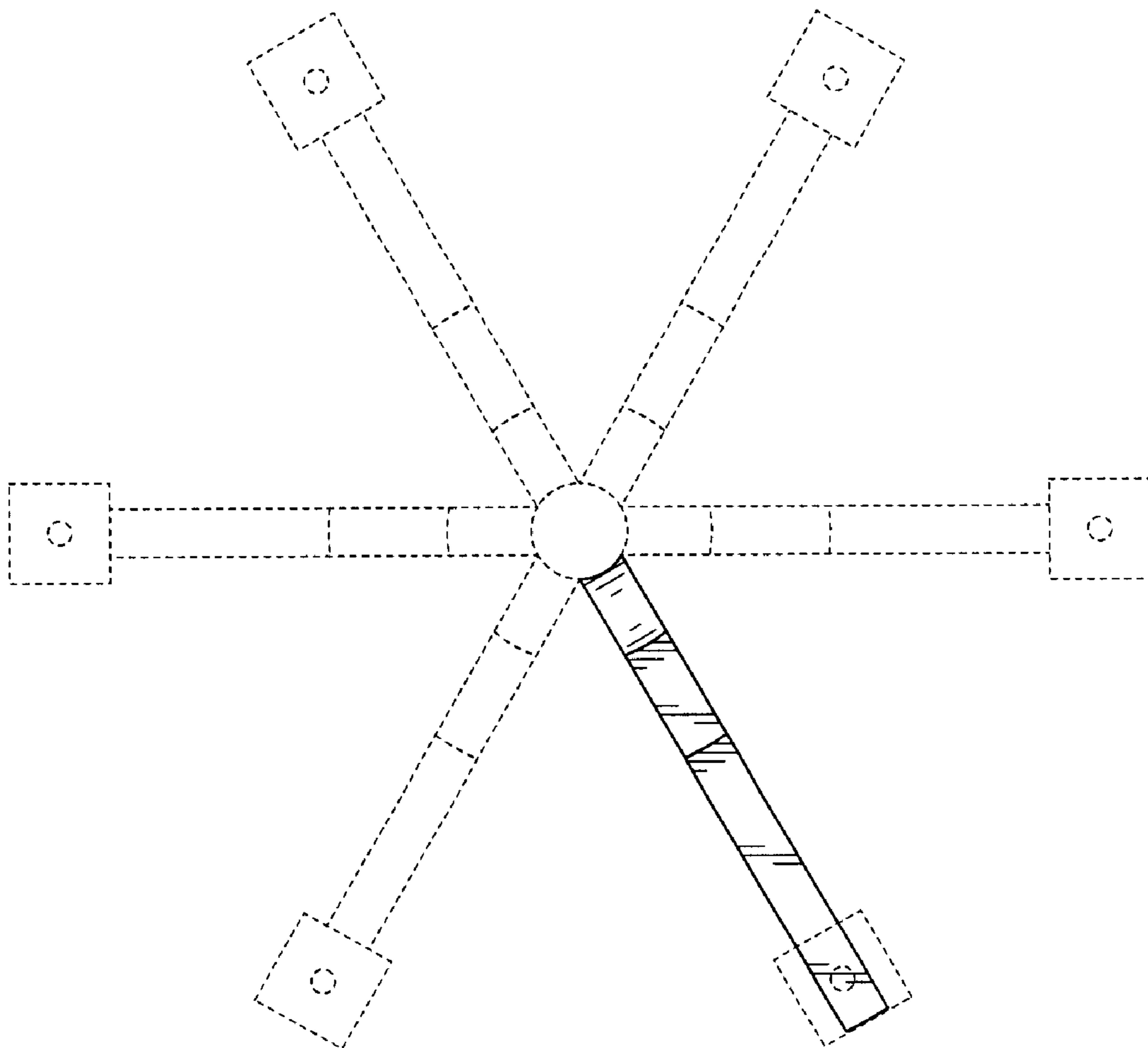
FIG. 1 is a perspective view of a first embodiment of the chandelier of the present invention;  
FIG. 2 is a top plan view thereof;  
FIG. 3 is a front elevation view thereof;  
FIG. 4 is a side elevation view thereof;  
FIG. 5 is a bottom plan view thereof; and,  
FIG. 6 is a perspective view of a second embodiment.  
The broken line showing is for illustrative purposes only and forms no part of the claimed invention.

**1 Claim, 6 Drawing Sheets**

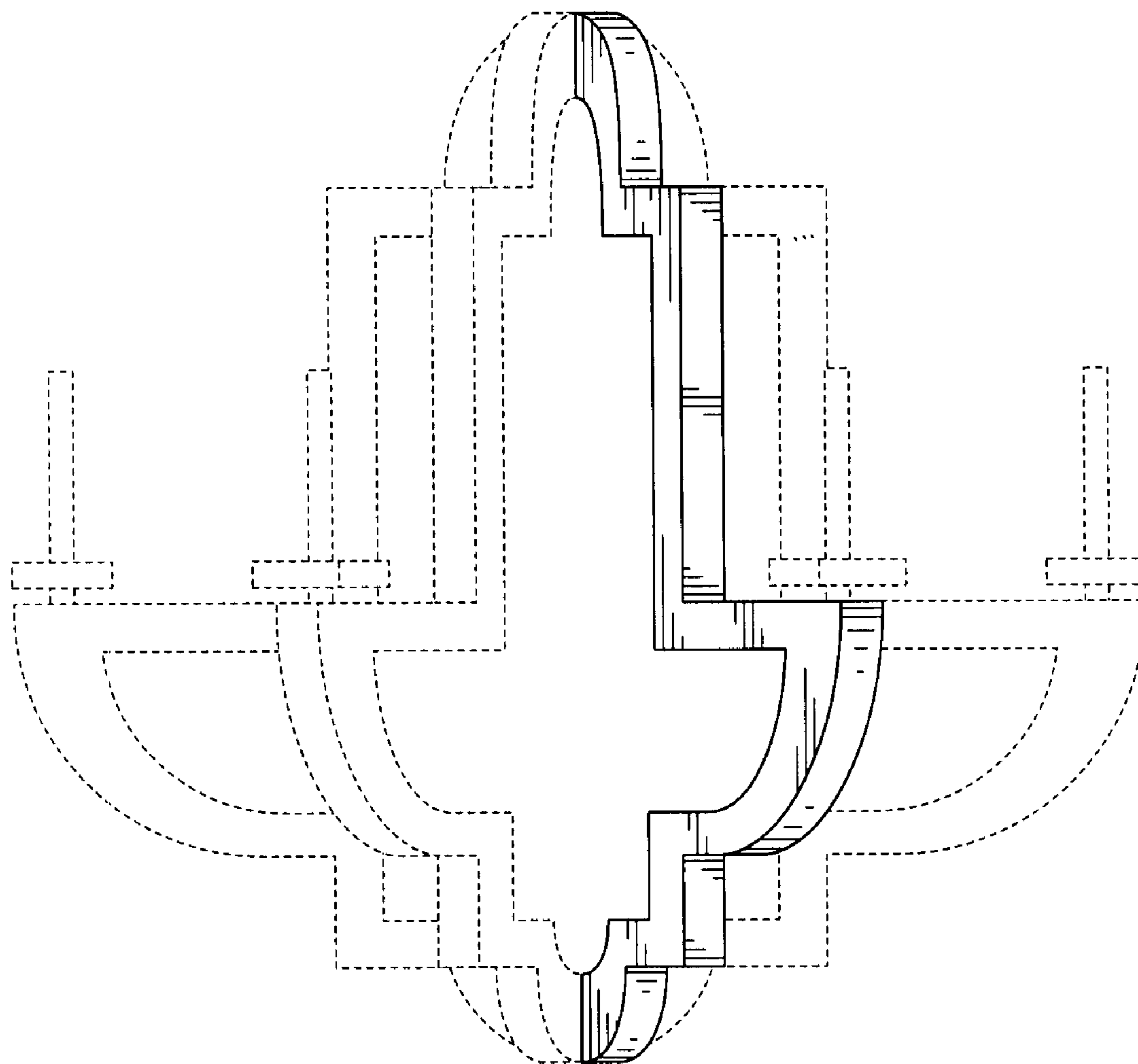




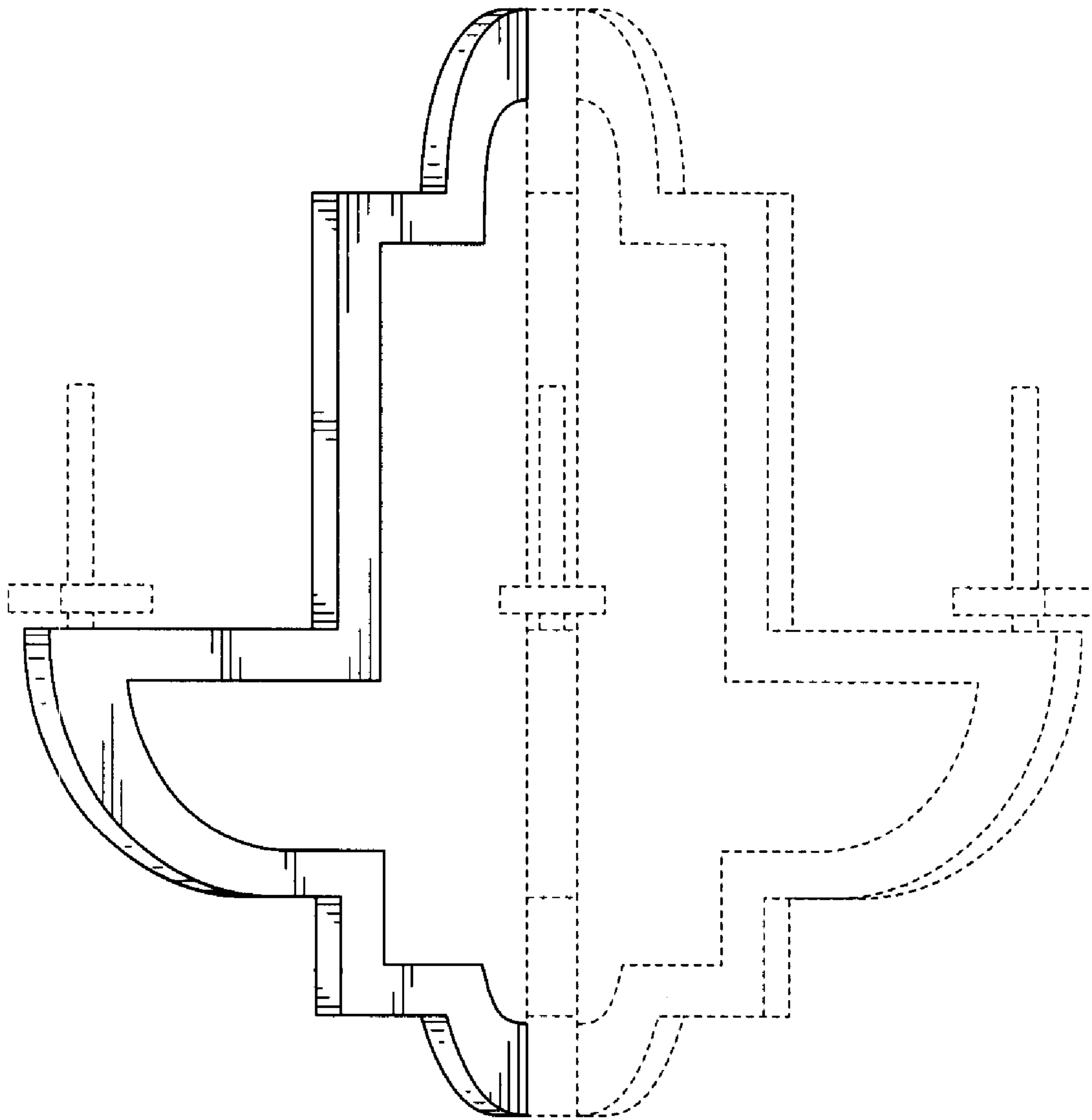
**FIG. 1**



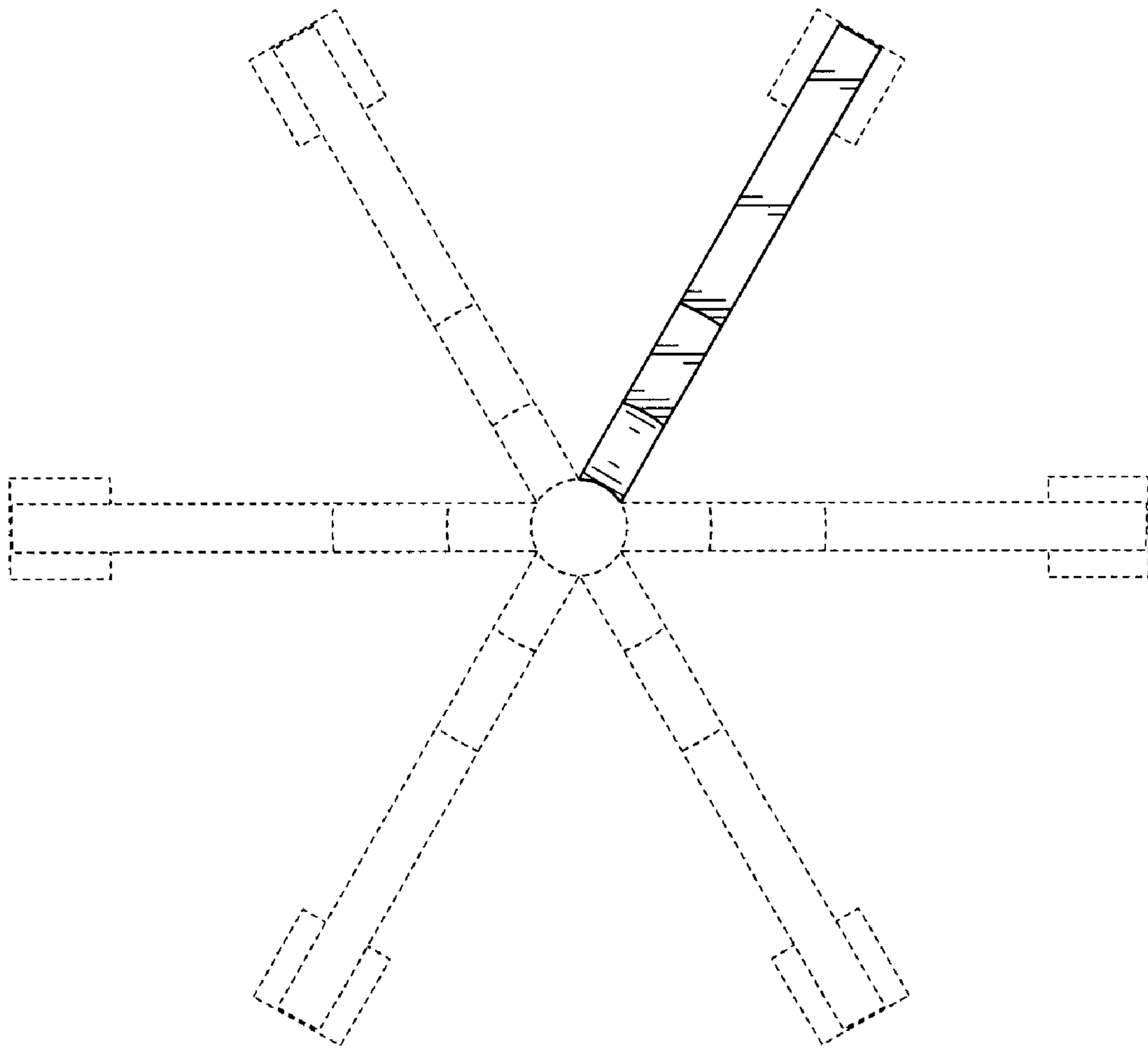
**FIG. 2**



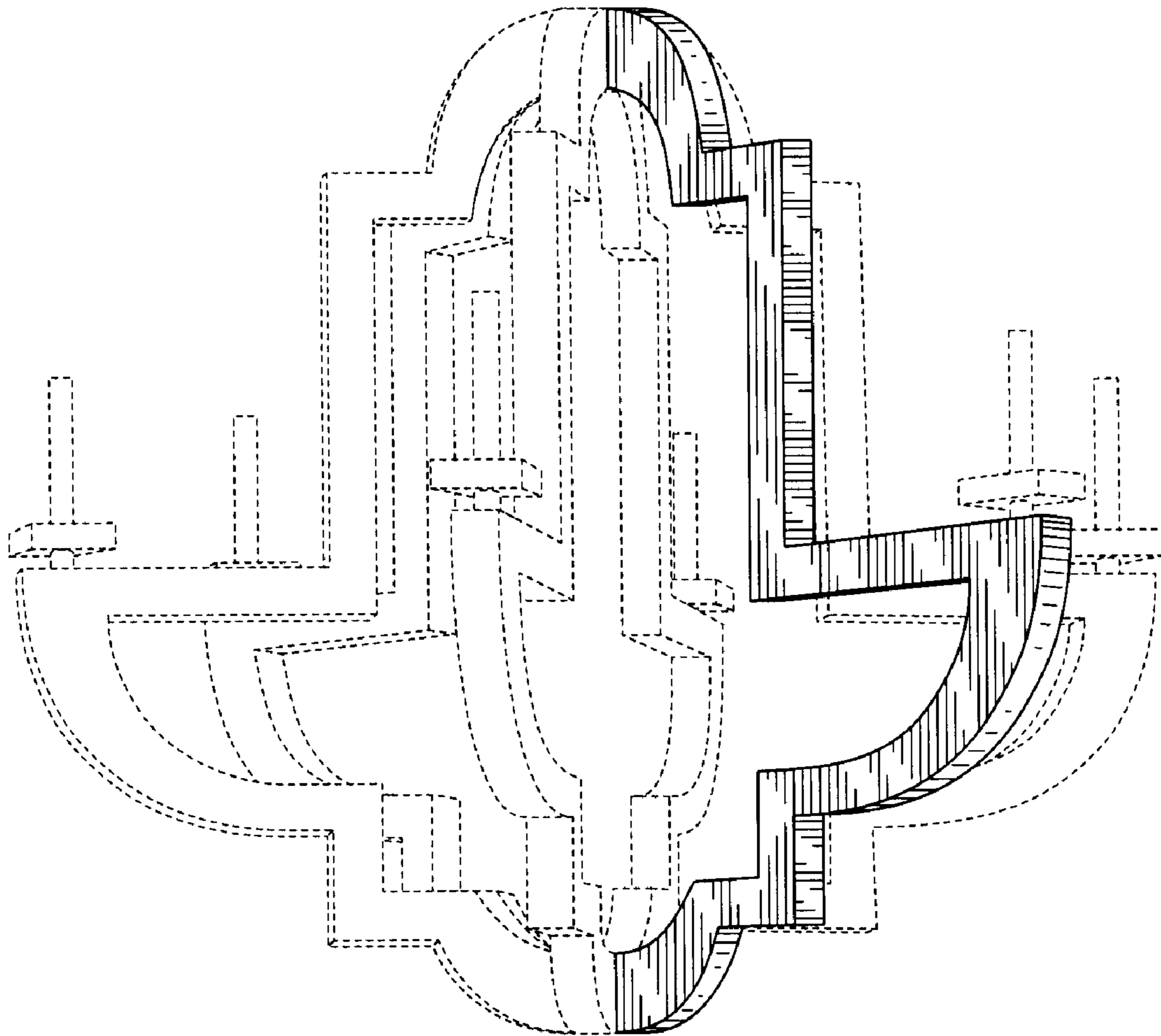
**FIG. 3**



**FIG. 4**



**FIG. 5**



**FIG. 6**