



US00D533676S

(12) **United States Design Patent**
Hon et al.

(10) **Patent No.:** **US D533,676 S**

(45) **Date of Patent:** **** Dec. 12, 2006**

(54) **SOLAR POWERED OUTDOOR LIGHT**

(75) Inventors: **Siu Cheong Hon**, Tseung Kwan (HK);
Brian Wood, McKinney, TX (US)

(73) Assignee: **The Brinkmann Corporation**, Dallas,
TX (US)

(**) Term: **14 Years**

(21) Appl. No.: **29/225,068**

(22) Filed: **Mar. 8, 2005**

(51) **LOC (8) Cl.** **26-05**

(52) **U.S. Cl.** **D26/67**

(58) **Field of Classification Search** D26/67-71;
362/152, 183, 431, 410-415

See application file for complete search history.

(56) **References Cited**

U.S. PATENT DOCUMENTS

D46,955 S	*	2/1915	Mohr	D26/67
D62,542 S	*	6/1923	Anderson	D26/67
D169,798 S	*	6/1953	Anthony	D26/67
D409,780 S		5/1999	Maxwell	D26/67
D446,335 S		8/2001	Cheong	D26/85
D455,514 S		4/2002	Cheong	D26/68
D456,936 S		5/2002	Hsu	D26/87
D461,921 S		8/2002	Ellis	D26/67
D470,963 S		2/2003	Cheong	D26/67
D481,819 S		11/2003	Cheong et al.	D26/72
D484,630 S		12/2003	Chen	D26/67
D485,000 S		1/2004	Chen	D26/67
D485,001 S		1/2004	Chen	D26/67
D492,437 S		6/2004	Hon et al.	D26/67
D496,119 S		9/2004	Bucher et al.	D26/67
D499,830 S		12/2004	Chen	D26/67

OTHER PUBLICATIONS

Kichler Lighting Catalog, 1989, p. 93 (1 pg.).
CENS Lighting Catalog, Jul. 2002 (1 pg.).
The Brinkmann Corporation 2003/2004 Product Catalog, p.
43 (1 pg.).

* cited by examiner

Primary Examiner—Clare E Heflin

(74) *Attorney, Agent, or Firm*—Sheppard, Mullin Richter &
Hampton LLP

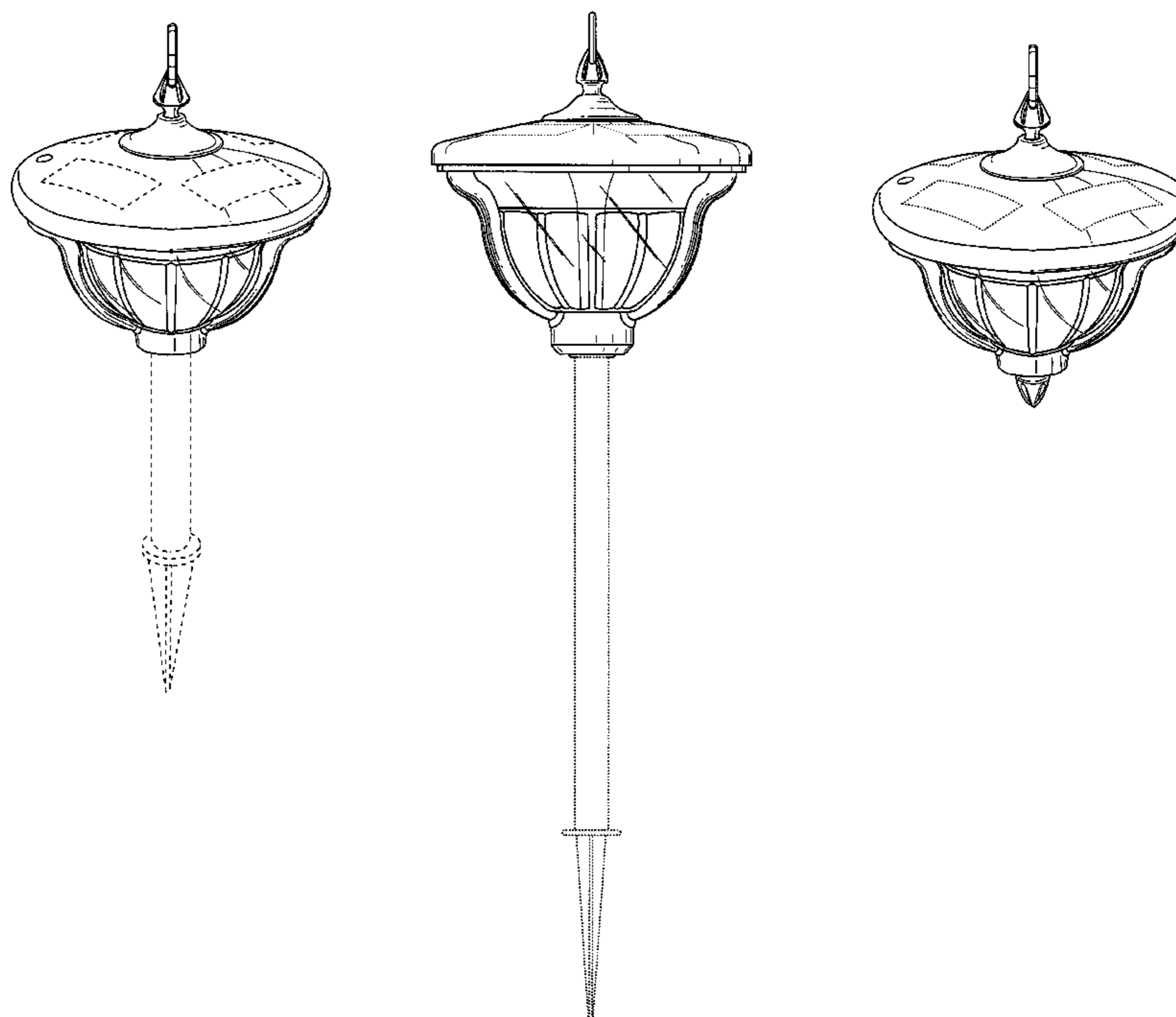
(57) **CLAIM**

We claim the ornamental design for a solar powered outdoor
light, as shown and described.

DESCRIPTION

FIG. 1 is a perspective view of a first embodiment of a solar
powered outdoor light showing the new design;
FIG. 2 is a front elevational view thereof;
FIG. 3 is a right side elevational view thereof;
FIG. 4 is a left side elevational view thereof, the
FIG. 5 is a rear elevational view thereof;
FIG. 6 is bottom plan view thereof;
FIG. 7 is a perspective view of a second embodiment of a
solar powered outdoor light showing the new design;
FIG. 8 is a front elevational view thereof;
FIG. 9 is a right side elevational view thereof;
FIG. 10 is a left side elevational view thereof;
FIG. 11 is a rear elevational view thereof;
FIG. 12 is a top plan view thereof; and,
FIG. 13 is a bottom plan view thereof.
The dotted lines are for illustrative purposes only and form
no part of the claimed design.

1 Claim, 10 Drawing Sheets



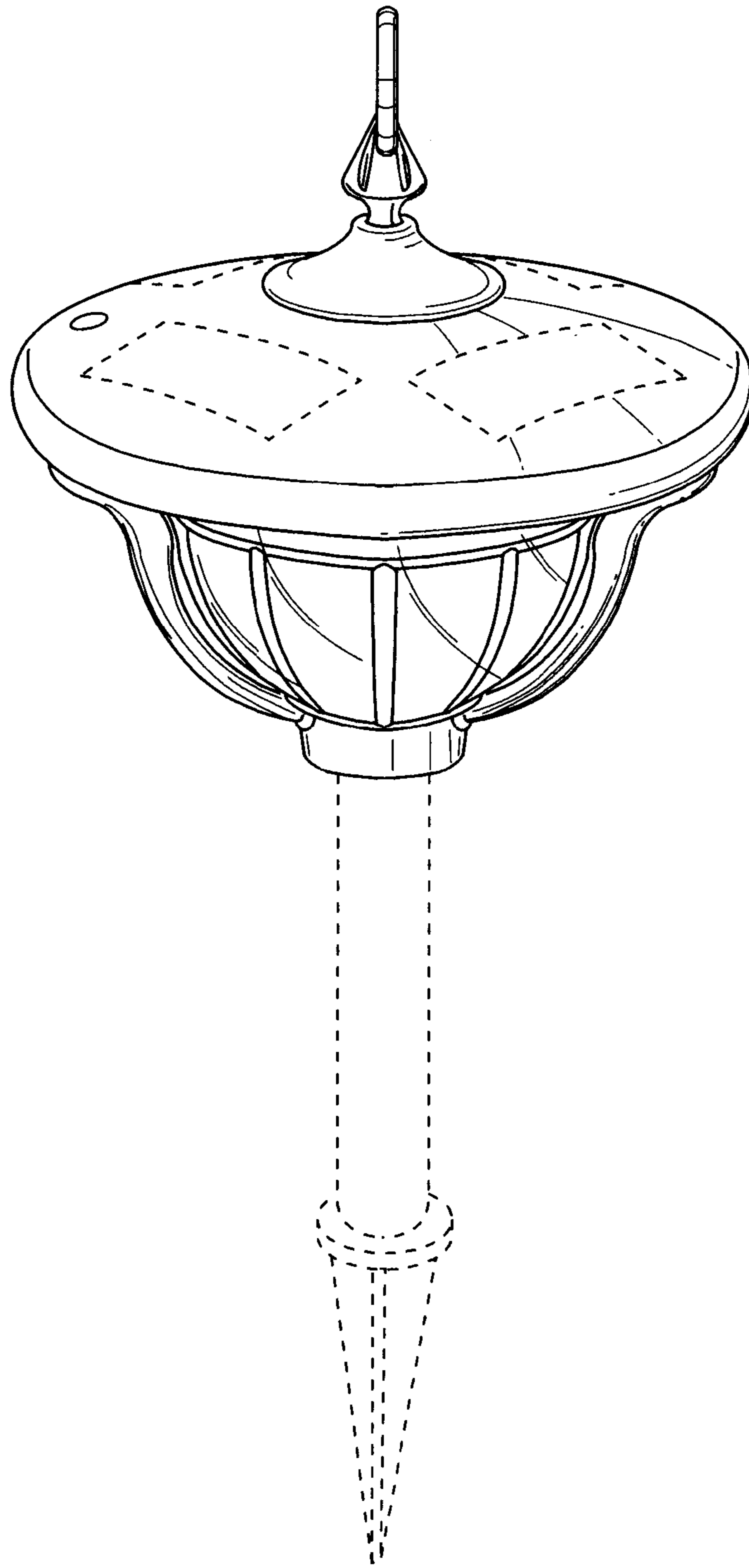


FIG. 1

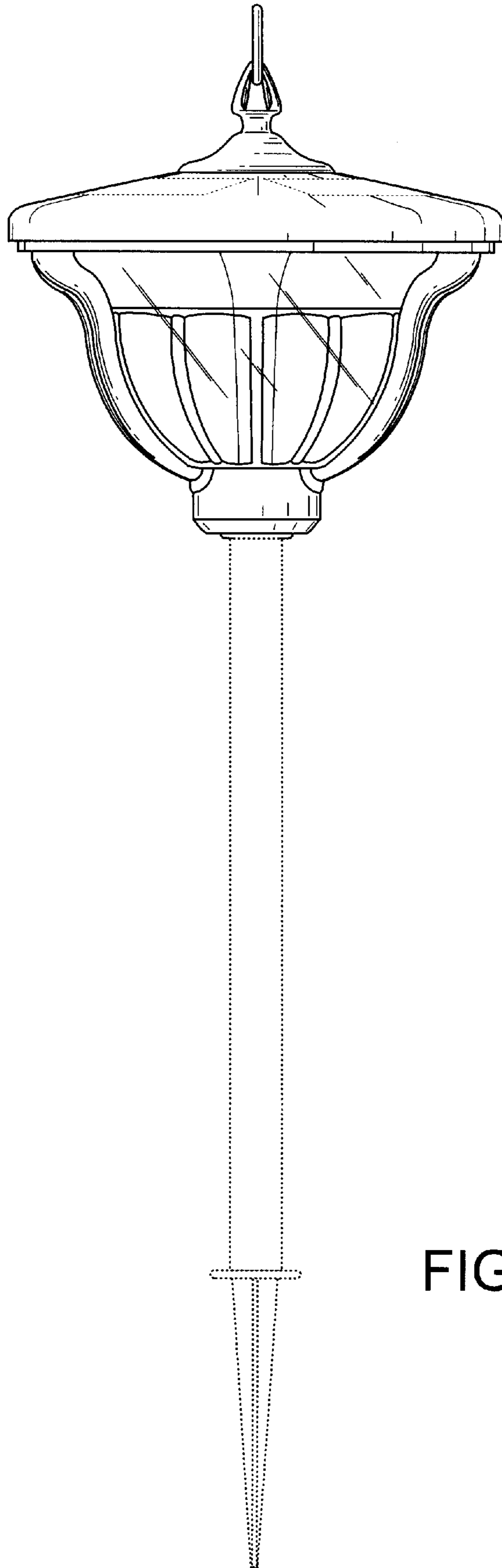


FIG. 2

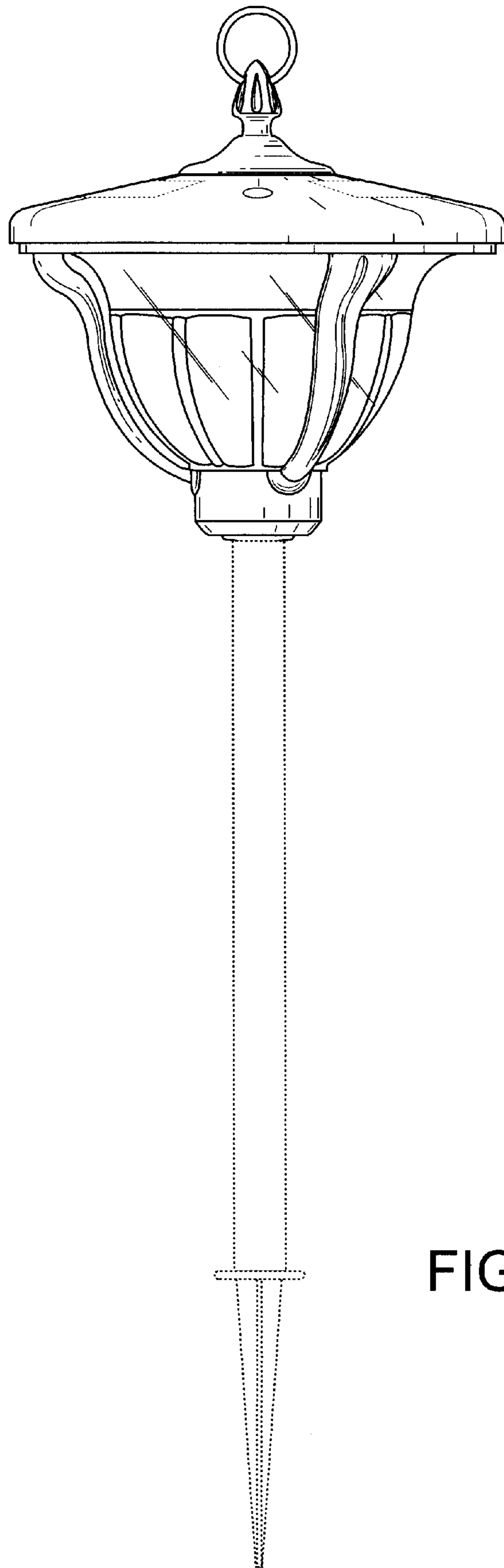


FIG. 3

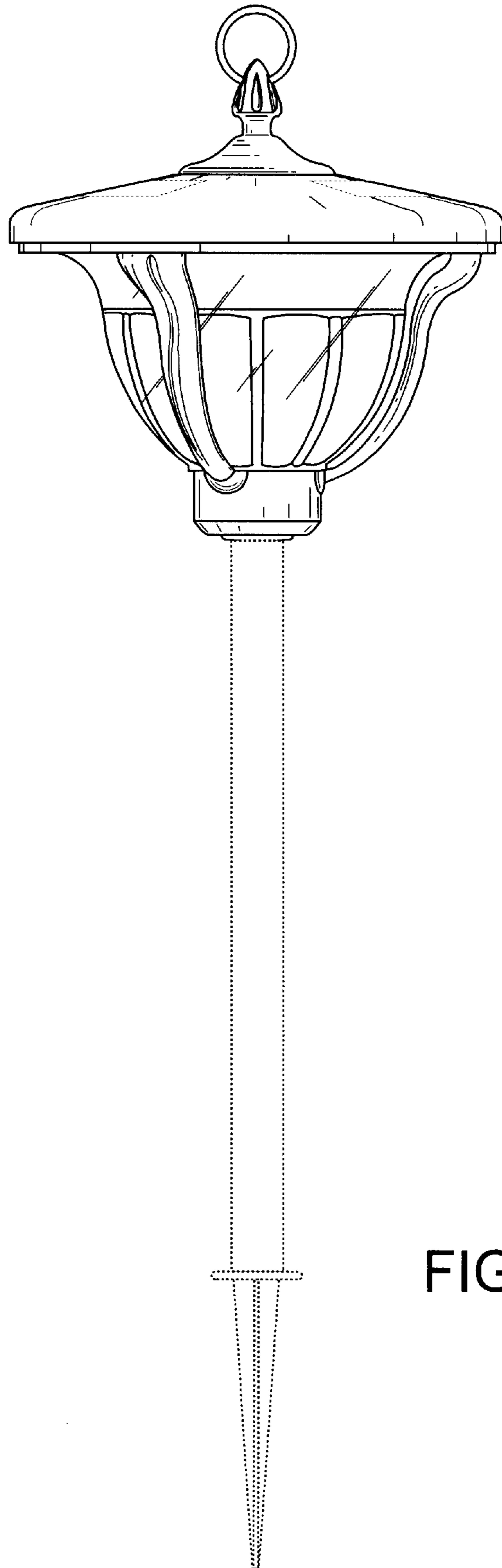


FIG. 4

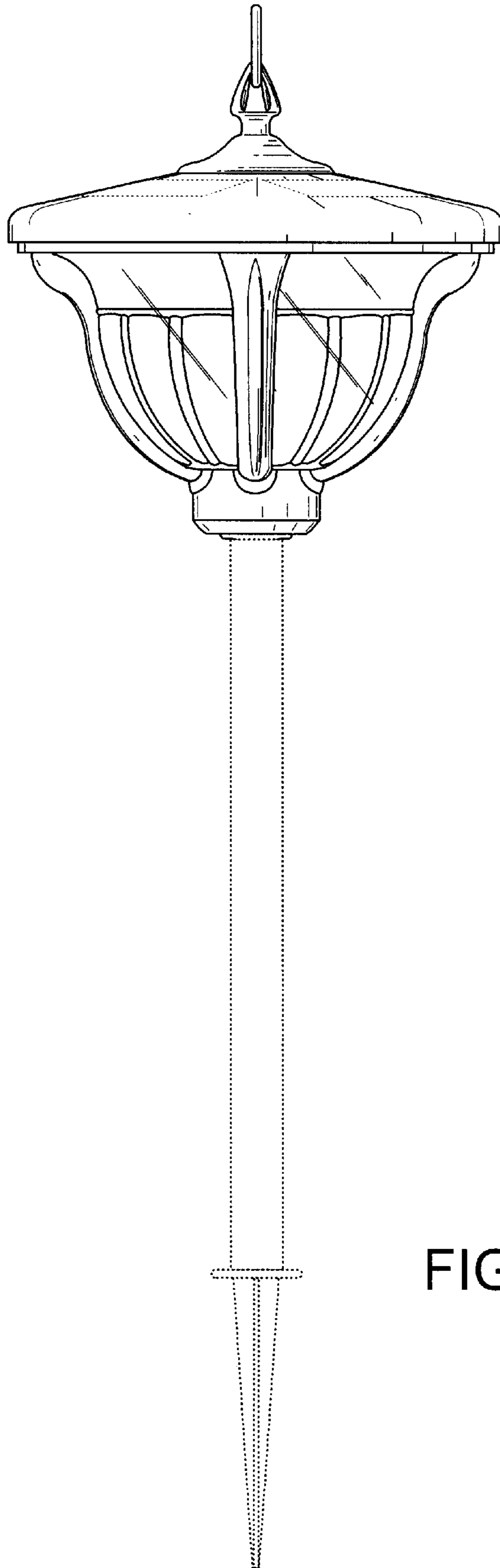


FIG. 5

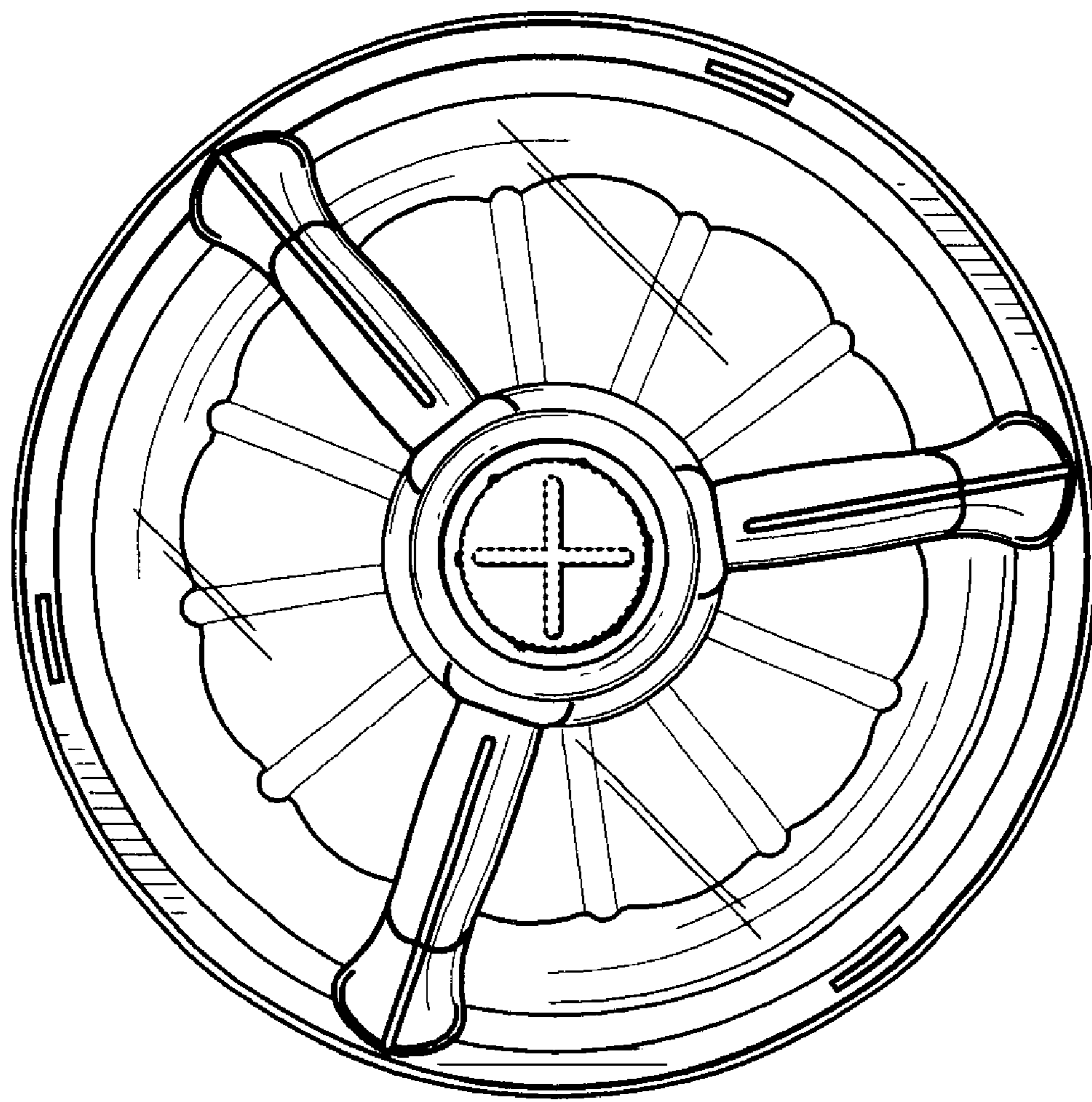


FIG. 6

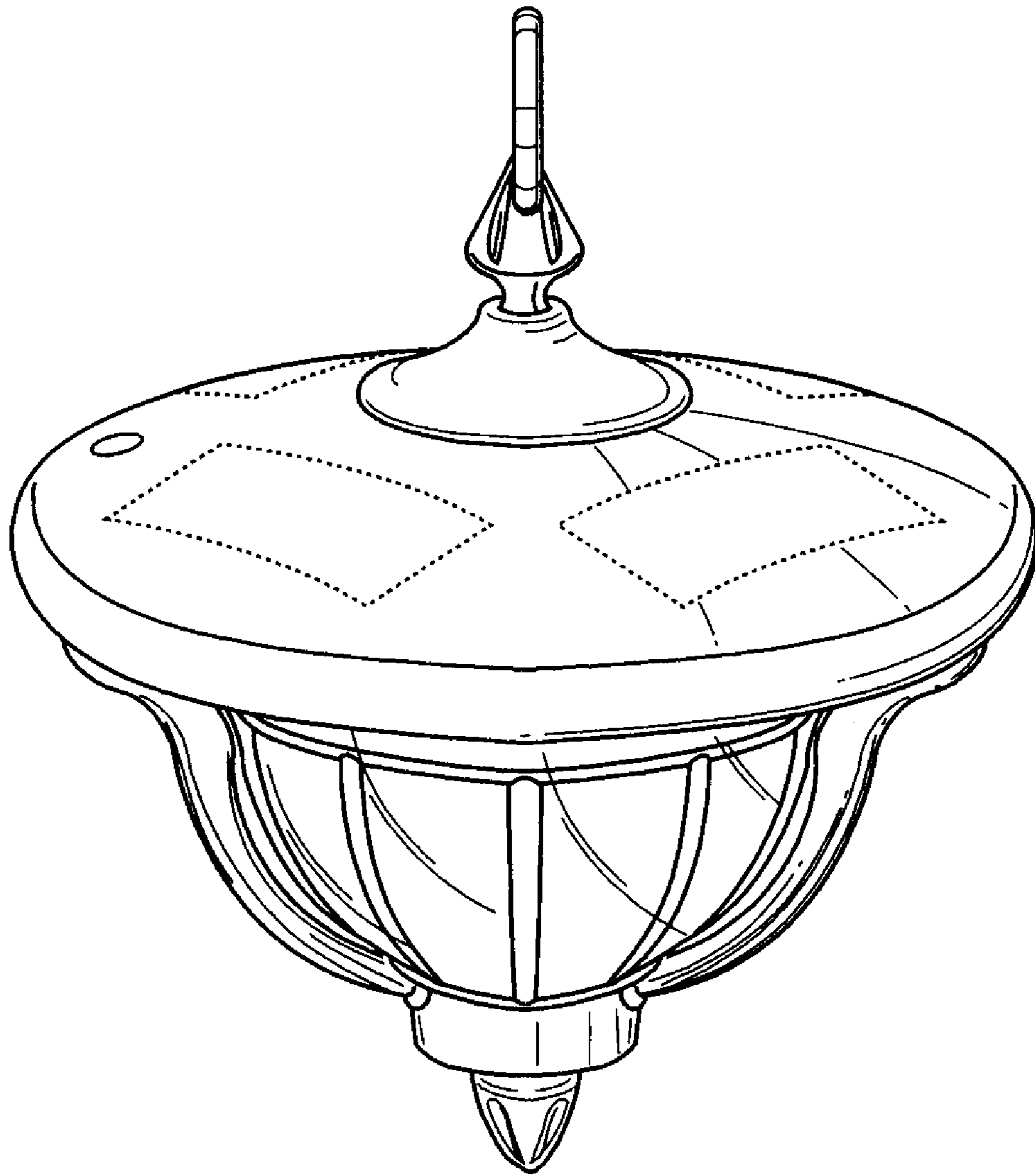


FIG. 7

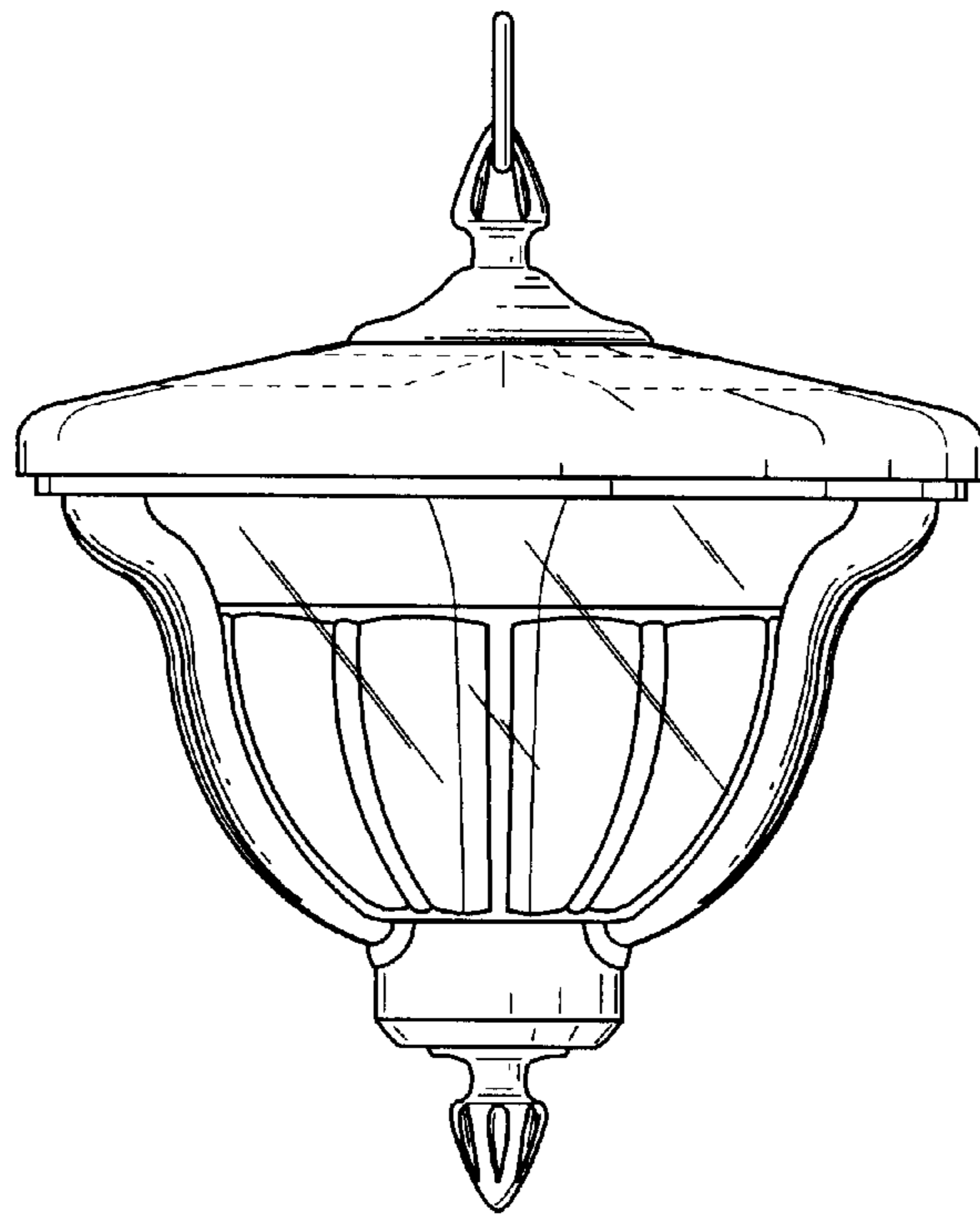


FIG. 8

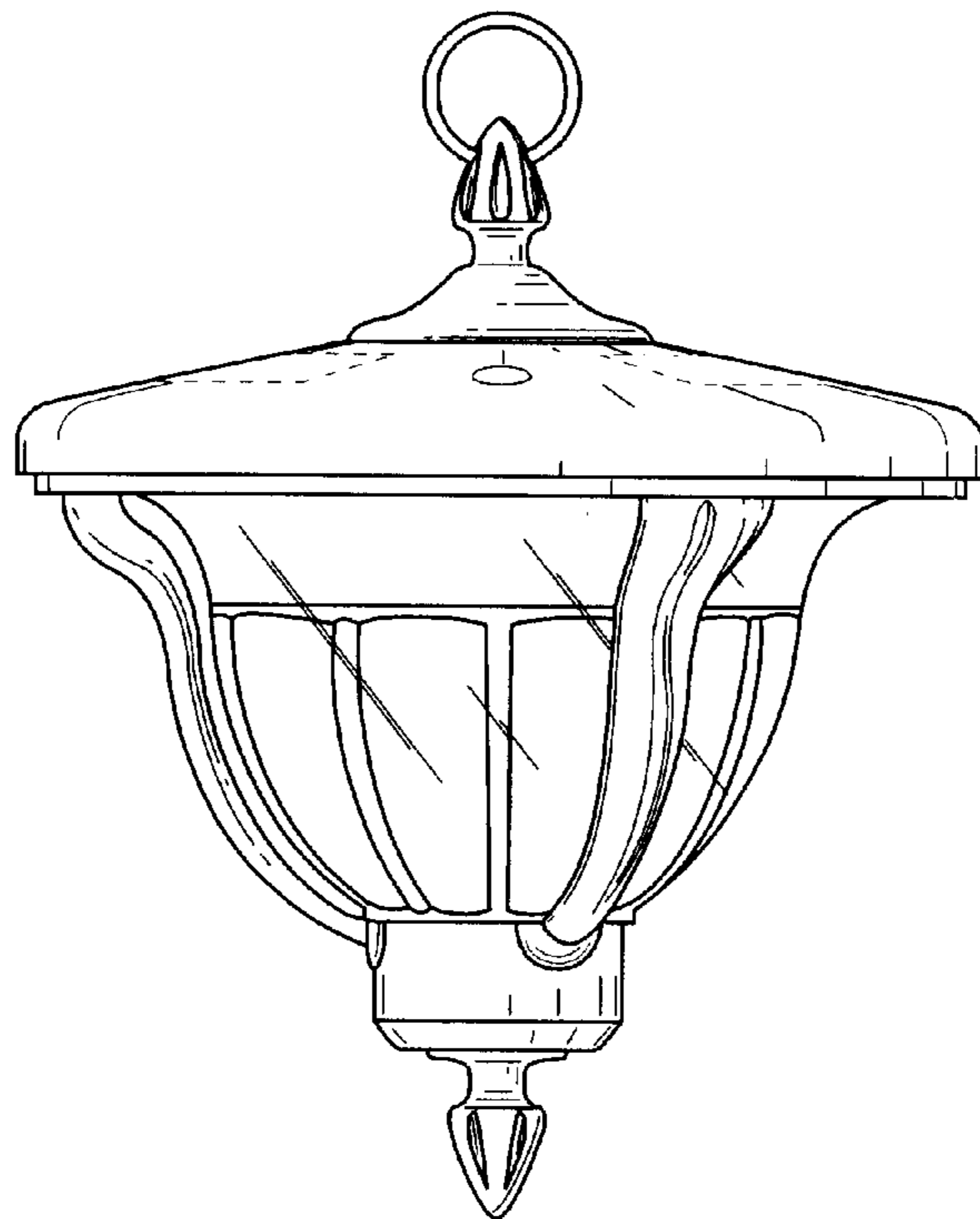


FIG. 9

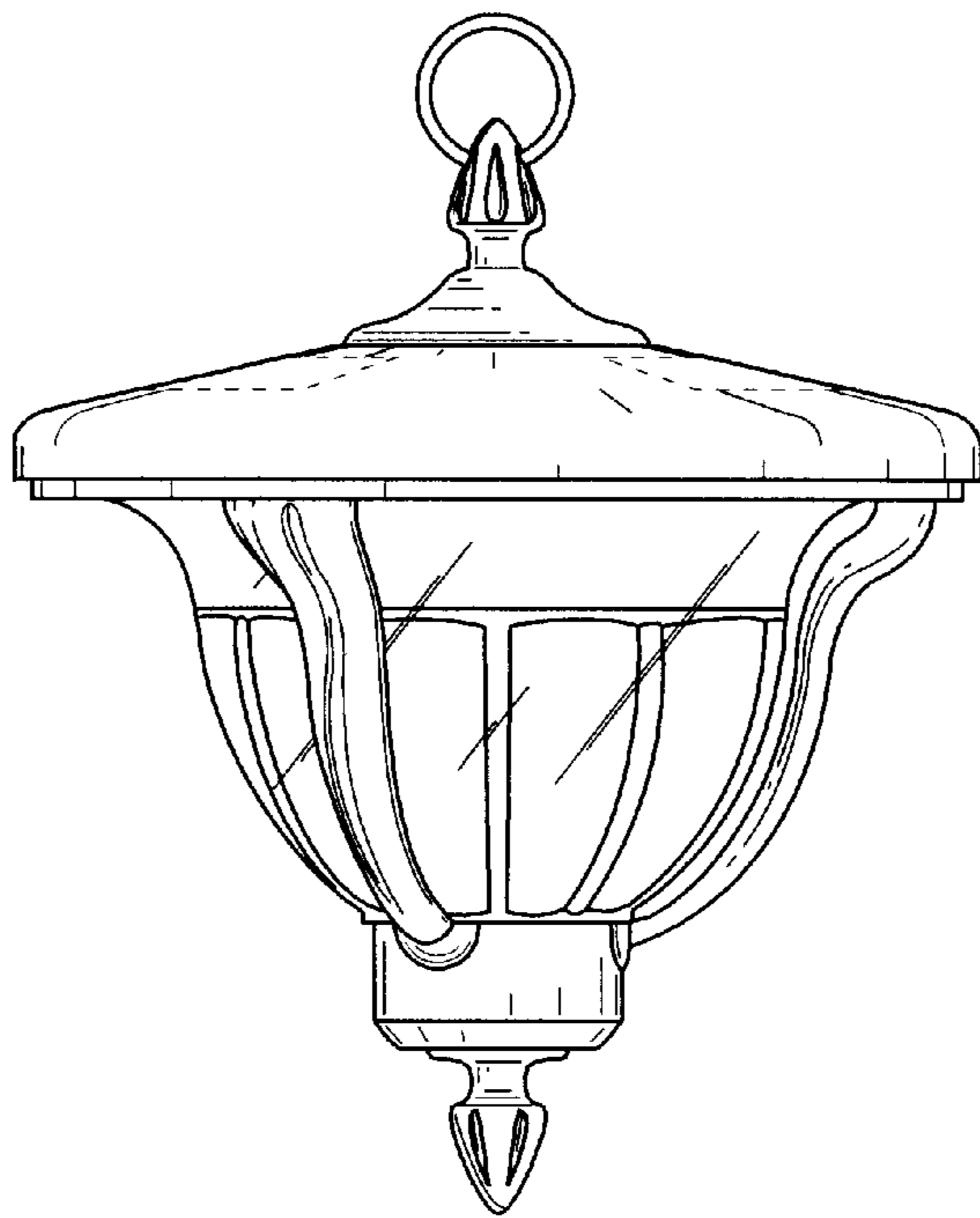


FIG. 10

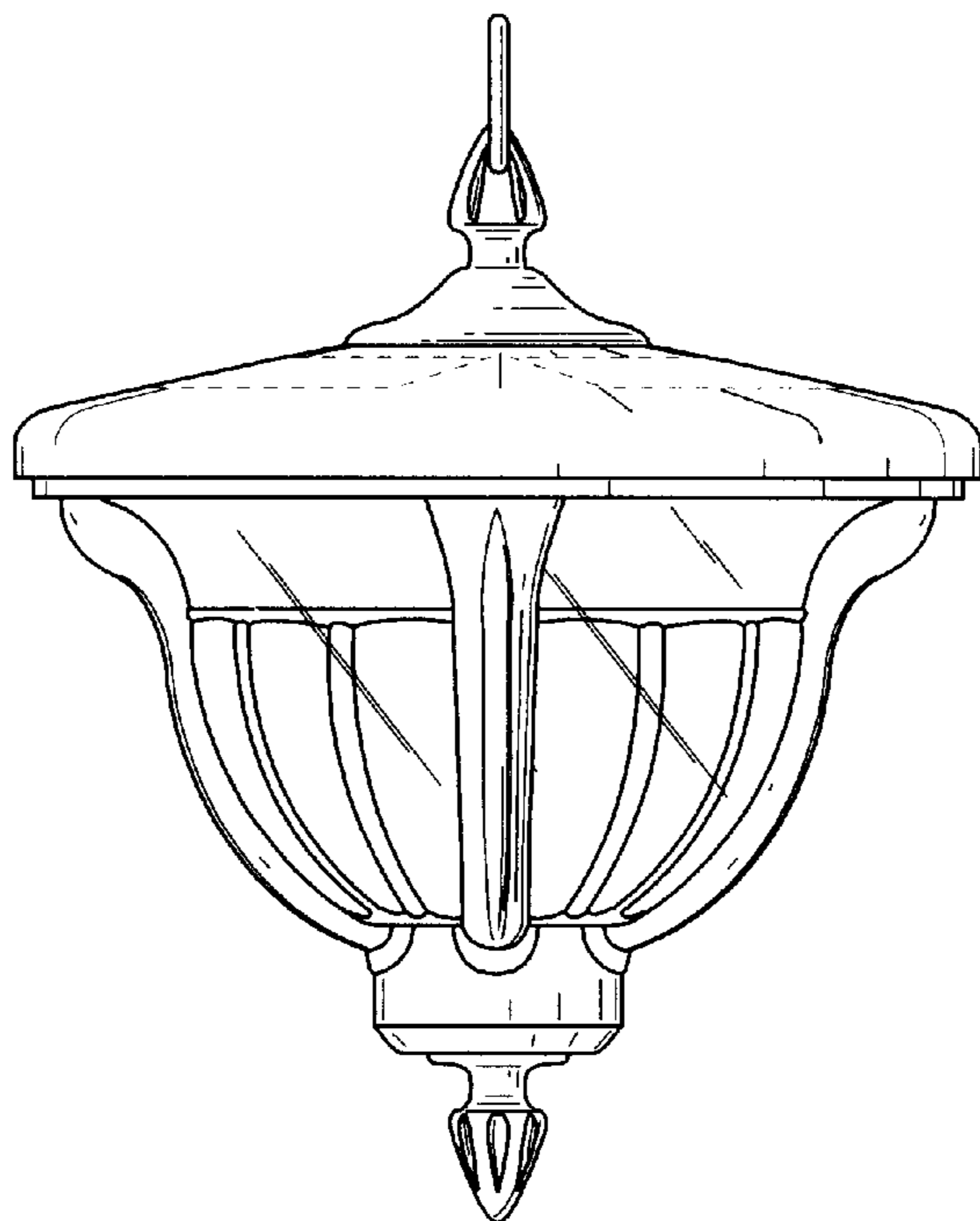


FIG. 11

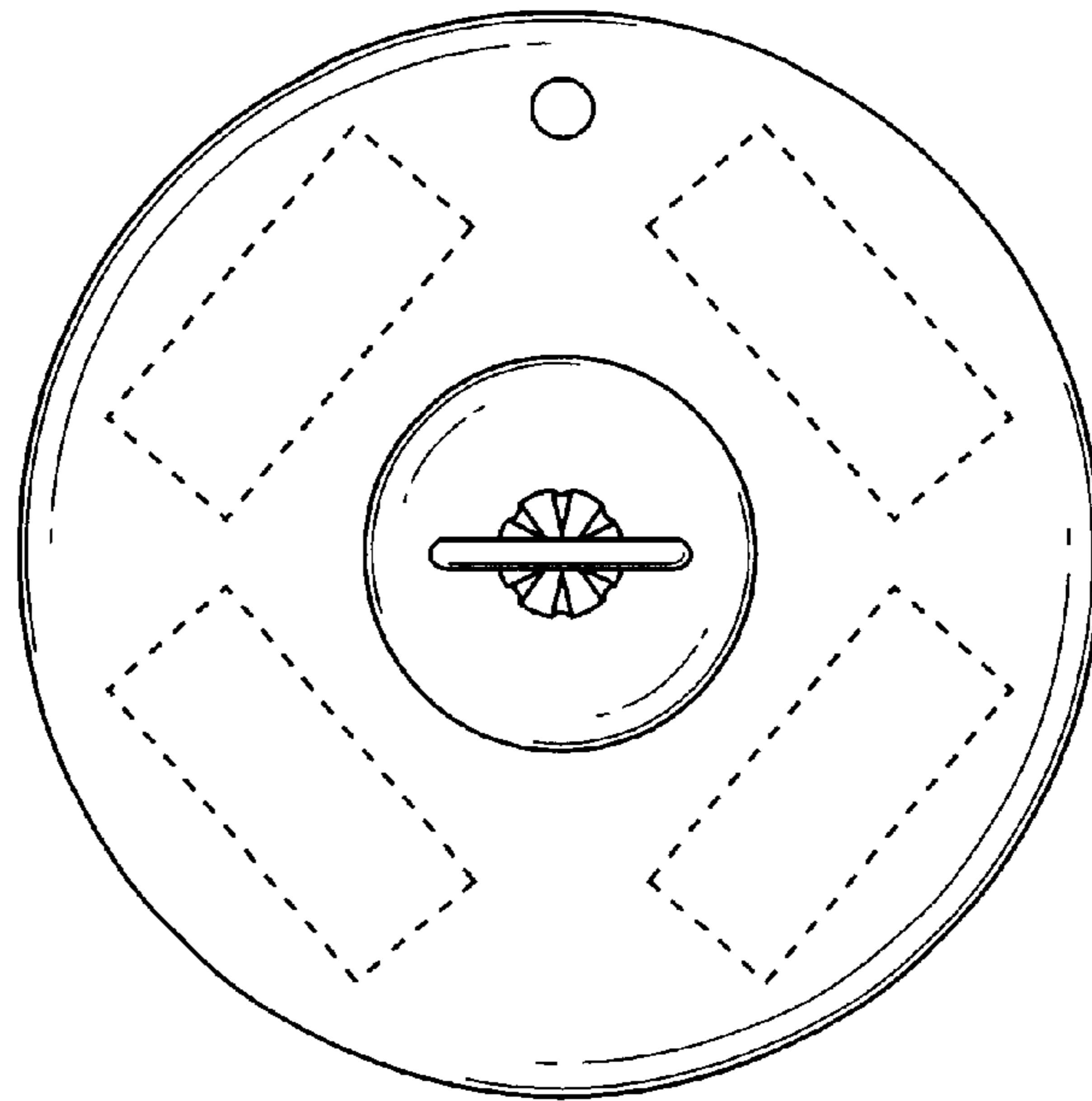


FIG. 12

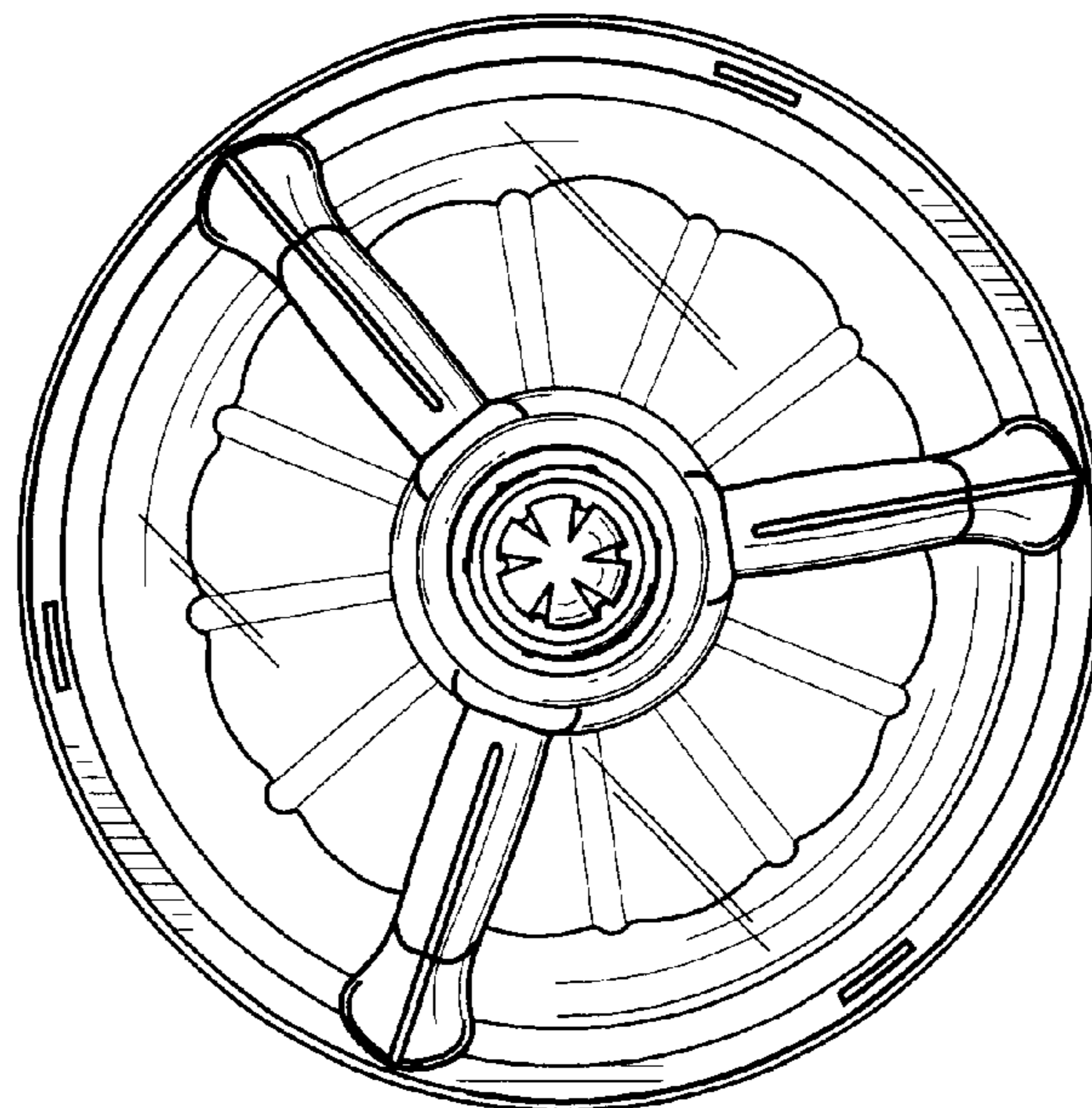


FIG. 13