



US00D533675S

(12) **United States Design Patent**
Didier et al.

(10) **Patent No.: US D533,675 S**

(45) **Date of Patent: ** Dec. 12, 2006**

(54) **SOLAR POLE LIGHT**

(75) Inventors: **Paul Didier**, 5827 N. Pauline Unit 1E,
Chicago, IL (US) 60660; **David Potter**,
Des Plaines, IL (US)

(73) Assignee: **Paul Didier**, Chicago, IL (US)

(**) Term: **14 Years**

(21) Appl. No.: **29/216,167**

(22) Filed: **Oct. 29, 2004**

Related U.S. Application Data

(63) Continuation-in-part of application No. 29/200,940, filed on
Mar. 8, 2004, now abandoned.

(51) **LOC (8) Cl.** **26-05**

(52) **U.S. Cl.** **D26/67**

(58) **Field of Classification Search** D26/67-71,
D26/113; D13/102; 362/183, 153, 285, 287,
362/288, 362, 363, 432, 427; 126/589, 704;
136/251

See application file for complete search history.

(56) **References Cited**

U.S. PATENT DOCUMENTS

D195,094 S * 4/1963 Hisky D26/71
3,995,614 A * 12/1976 Cerra et al. 126/709
4,274,127 A 6/1981 Beck et al.
D309,953 S * 8/1990 Chien D26/67

D311,722 S * 10/1990 Cheng D13/102
D342,845 S 1/1994 Rudd et al.
5,477,437 A 12/1995 Lach
5,570,000 A * 10/1996 Kowalski 322/1
6,013,985 A 1/2000 Green et al.
6,152,575 A * 11/2000 Montanino 362/251
D437,067 S 1/2001 Lam
D437,071 S * 1/2001 Andrus et al. D26/63
D448,100 S 9/2001 Husband
D467,225 S * 12/2002 Sudo D13/102
D487,884 S * 3/2004 Peress et al. D13/102

* cited by examiner

Primary Examiner—Clare E. Heflin

(74) *Attorney, Agent, or Firm*—Leydig, Voit & Mayer, Ltd.

(57) **CLAIM**

The ornamental design for a solar pole light, substantially as
shown and described.

DESCRIPTION

FIG. 1 is a top perspective view of a solar pole light showing
our new design;

FIG. 2 is a bottom perspective view thereof;

FIG. 3 is a top plan view thereof;

FIG. 4 is a bottom plan view thereof;

FIG. 5 is a left side elevational view thereof;

FIG. 6 is a right side view thereof;

FIG. 7 is a rear end view thereof; and,

FIG. 8 is a front end view thereof.

1 Claim, 8 Drawing Sheets

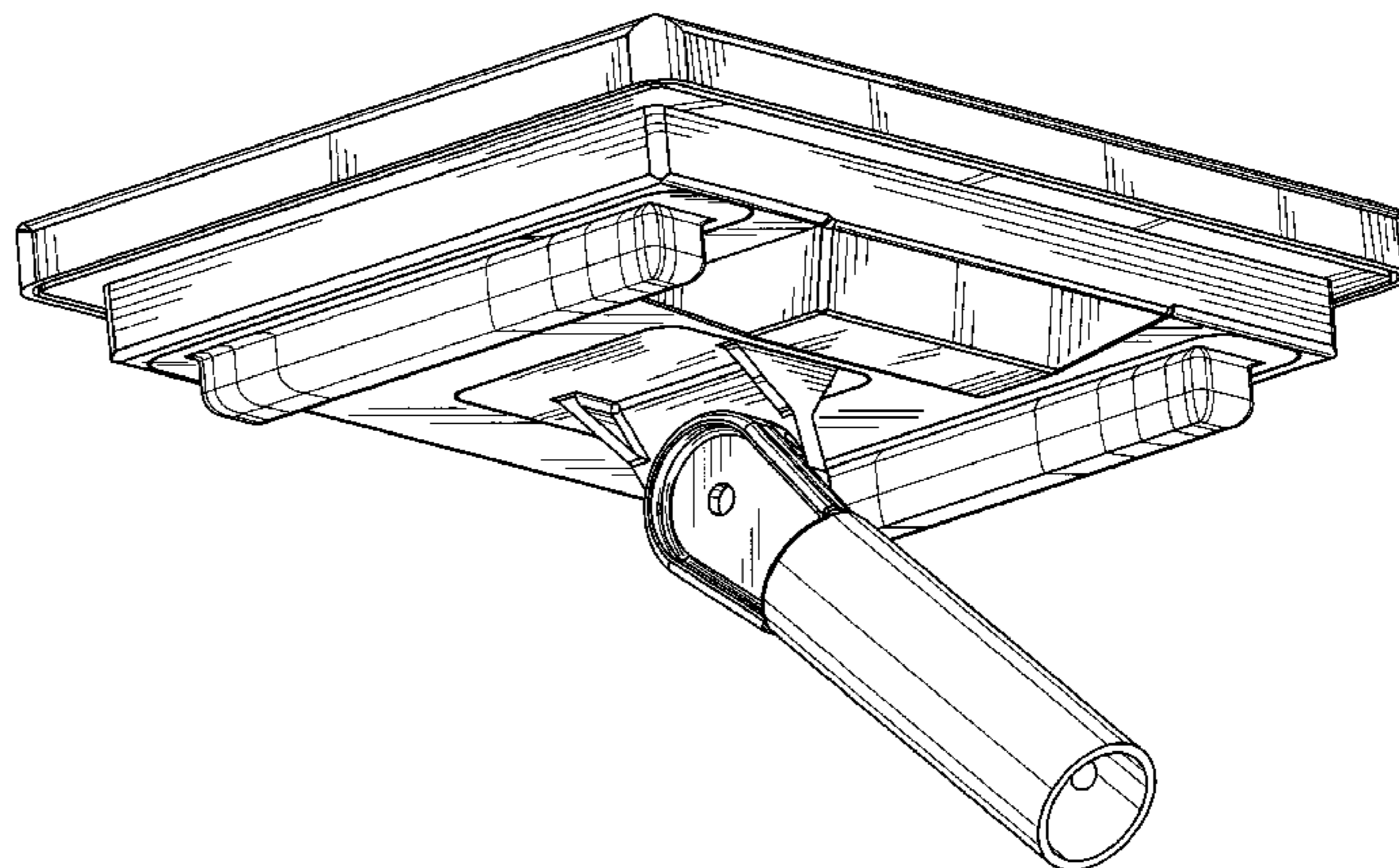
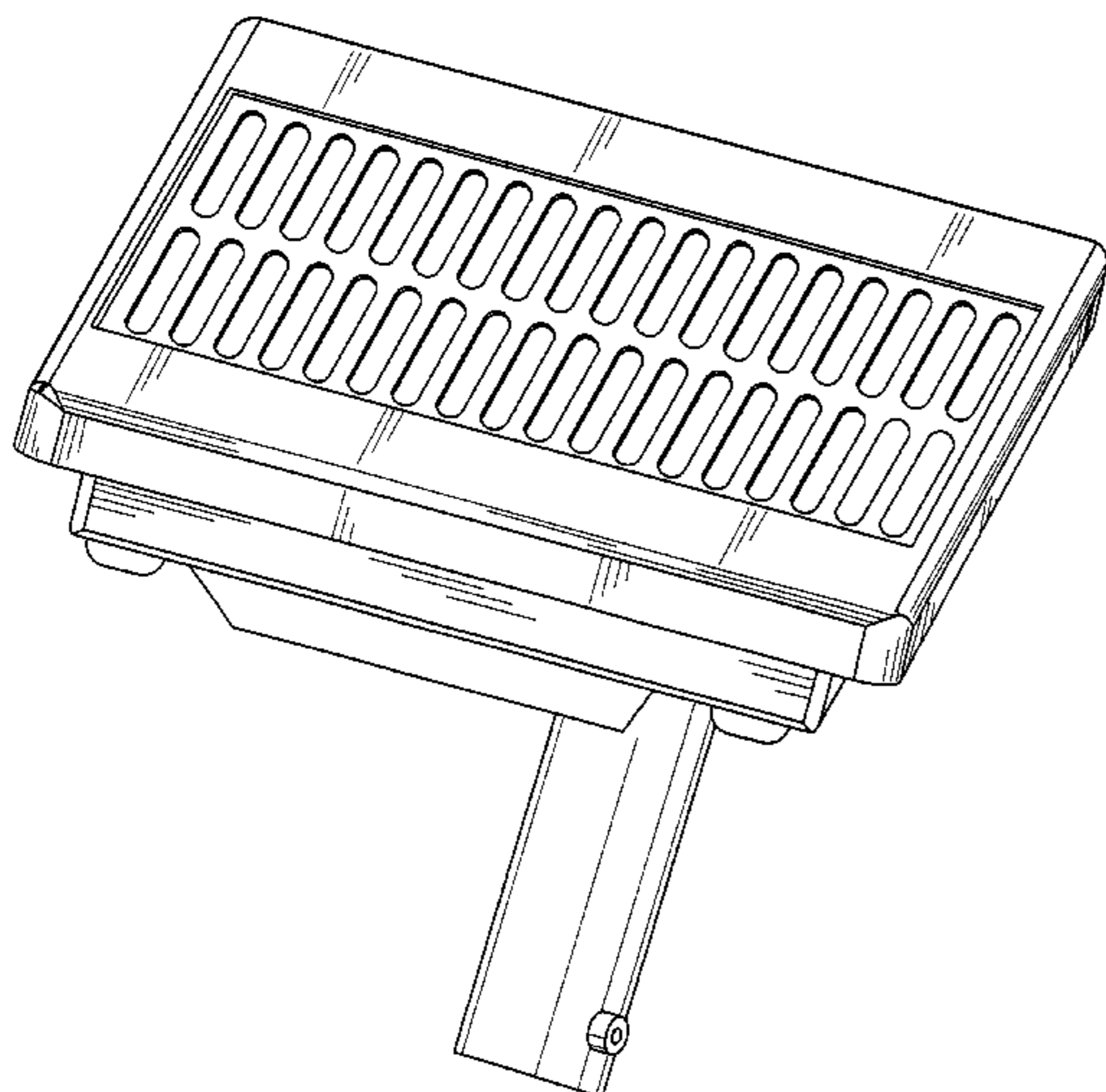


FIG. 1

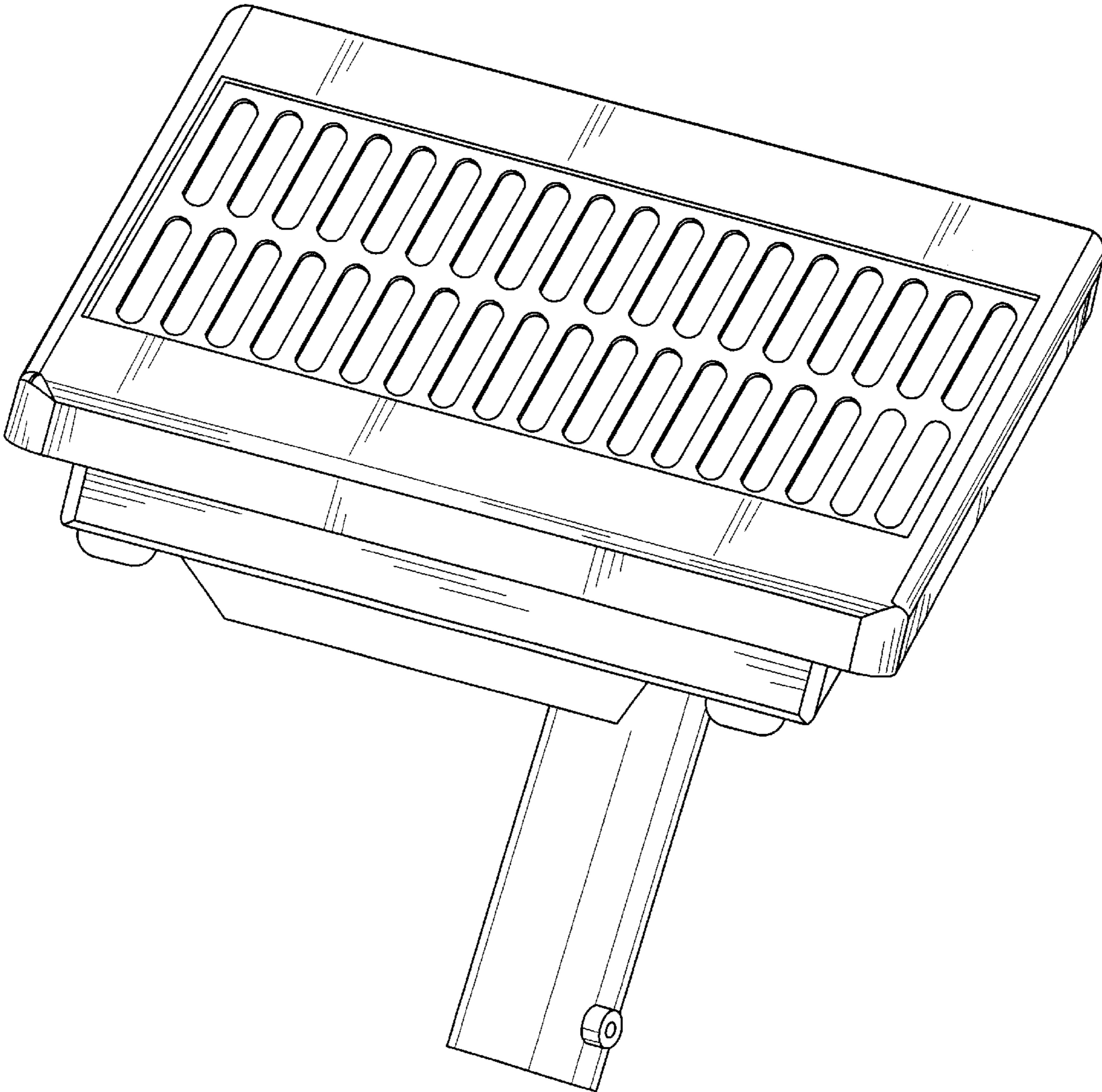


FIG. 2

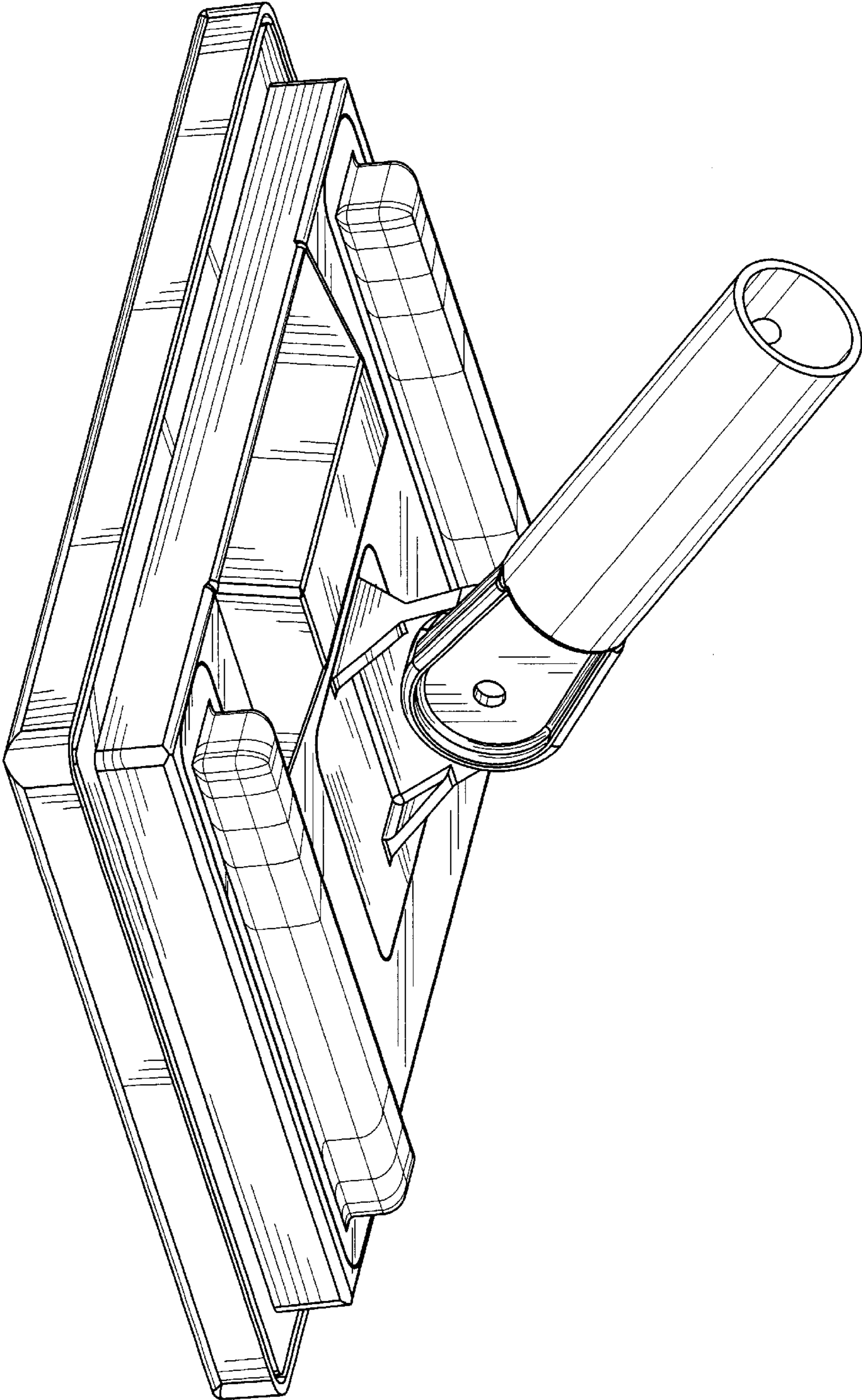


FIG. 3

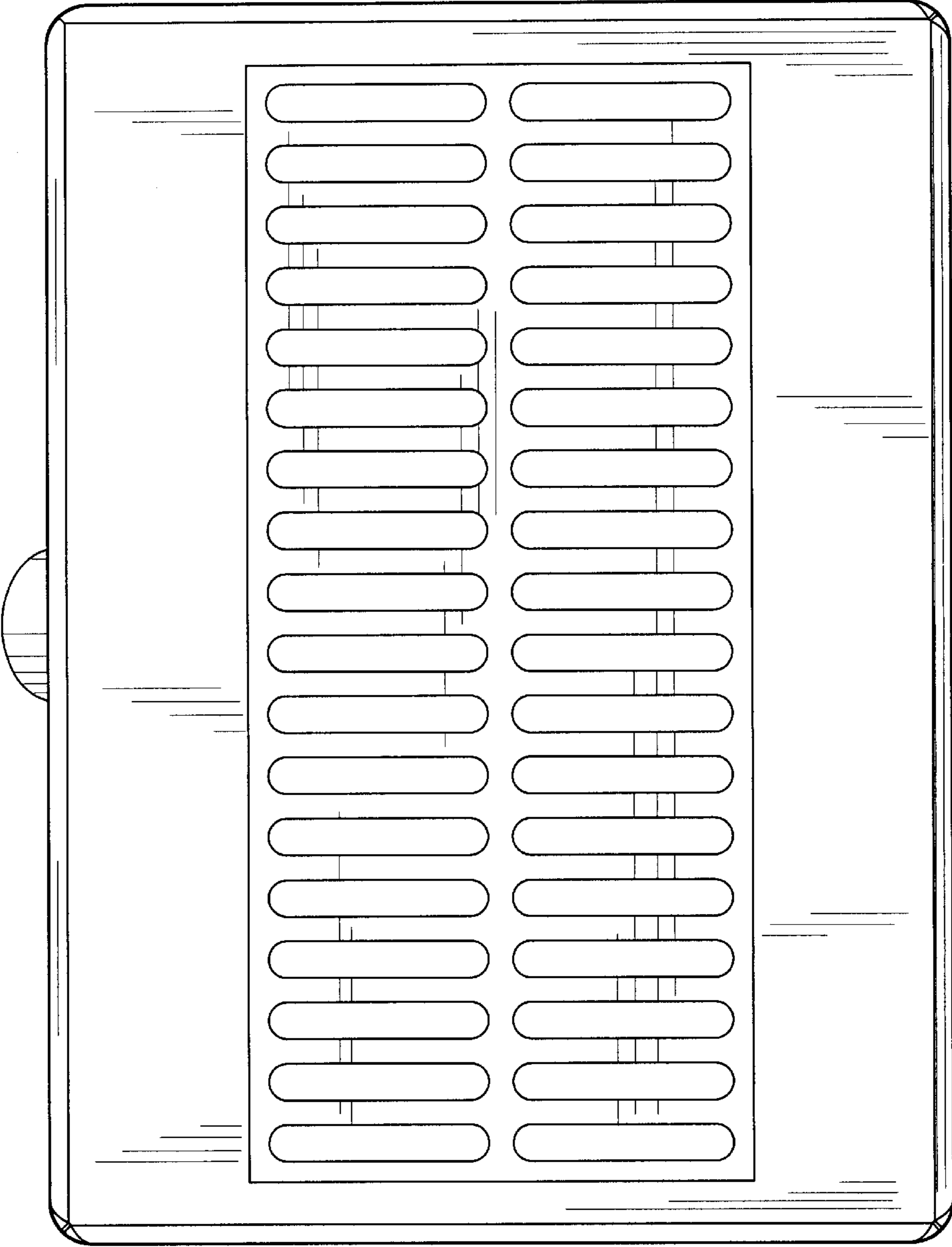


FIG. 4

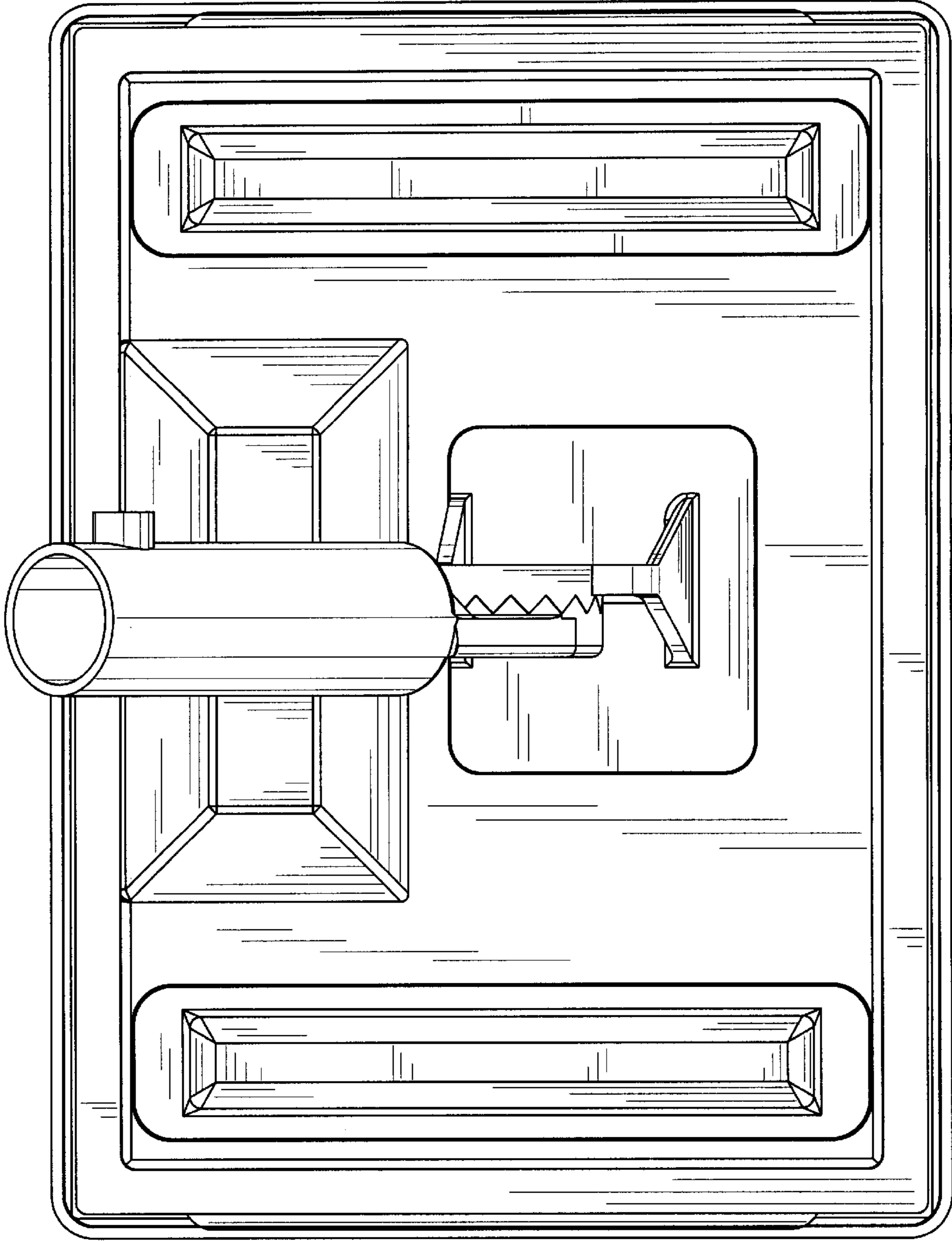


FIG. 5

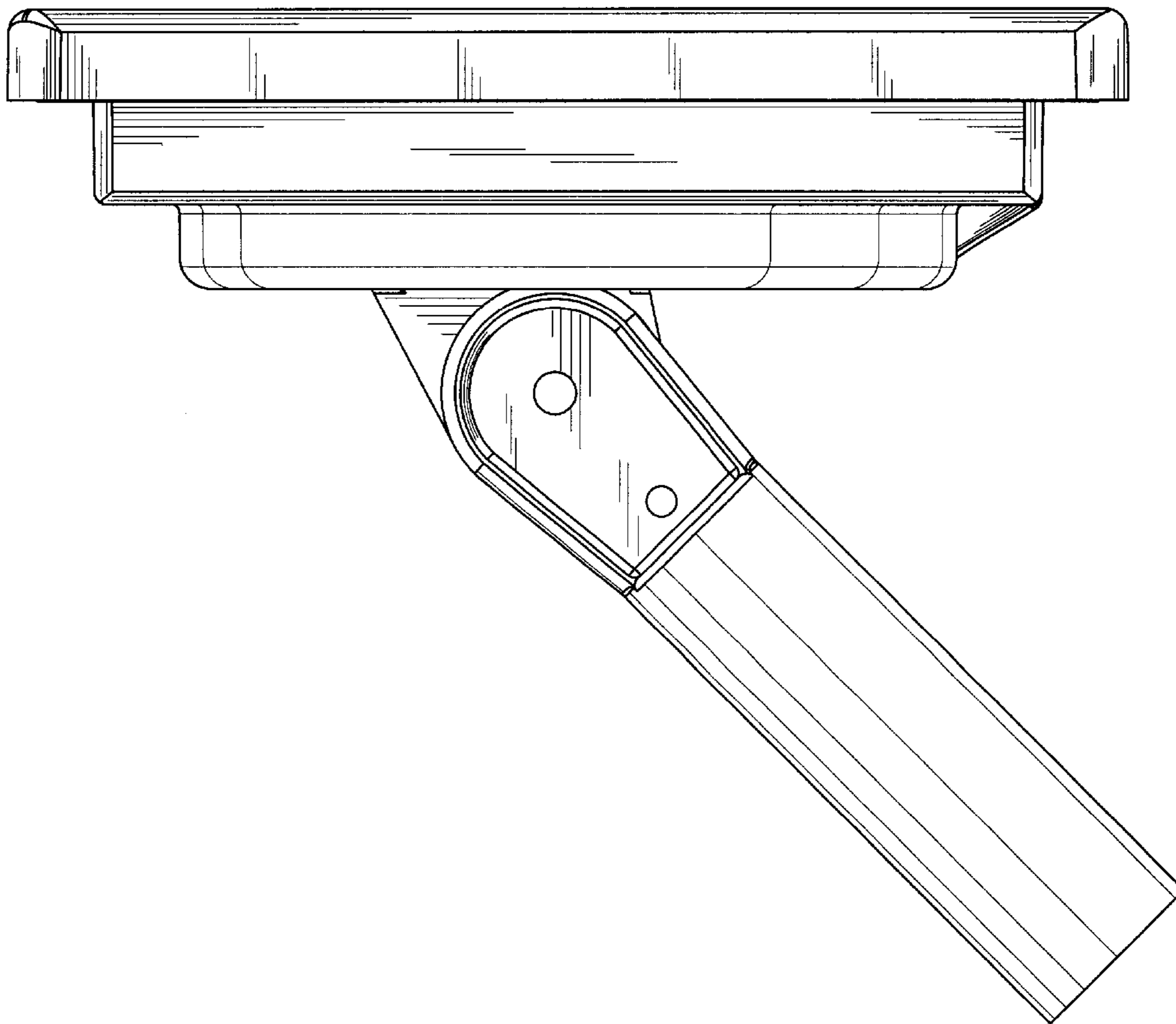
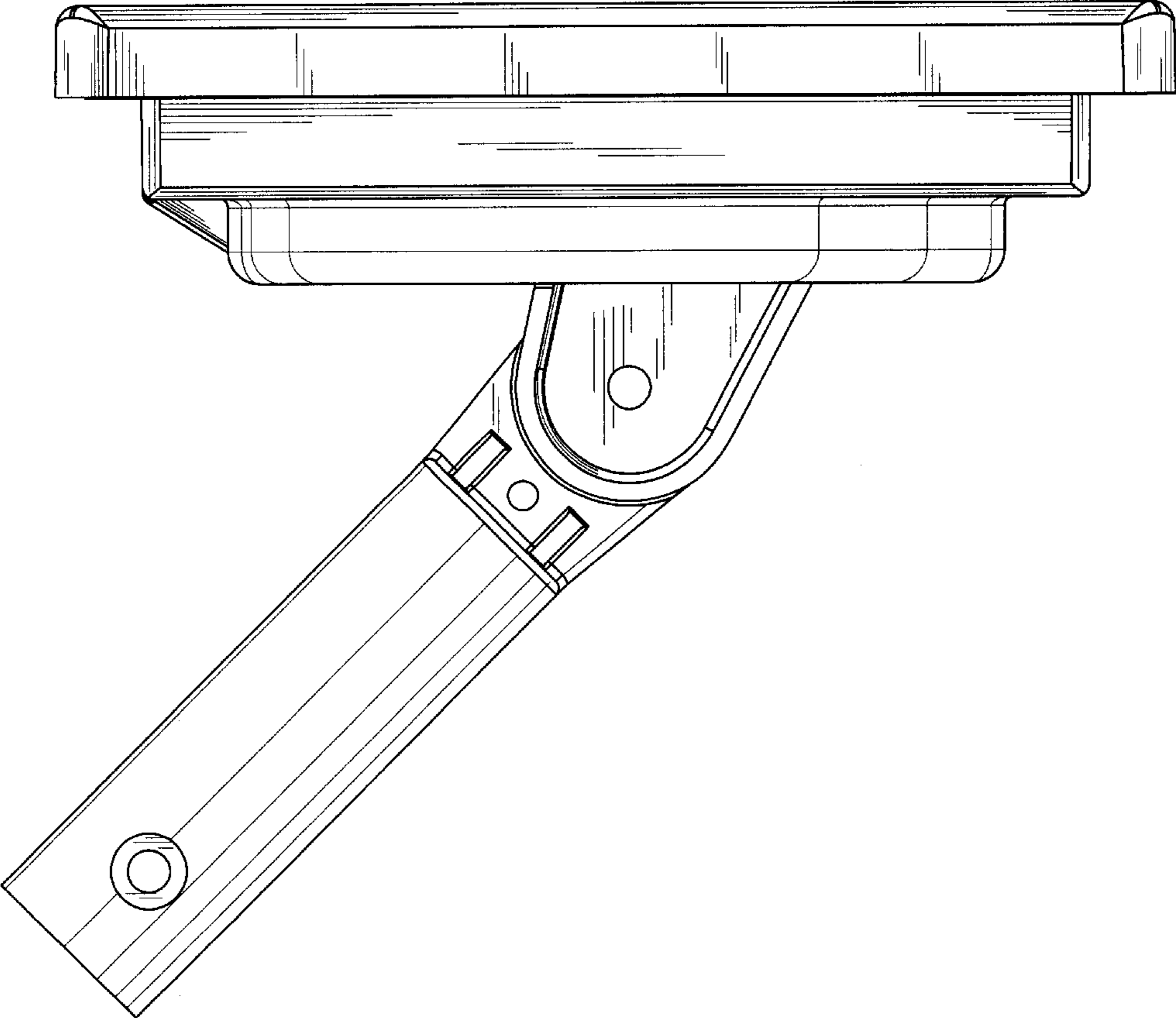


FIG. 6



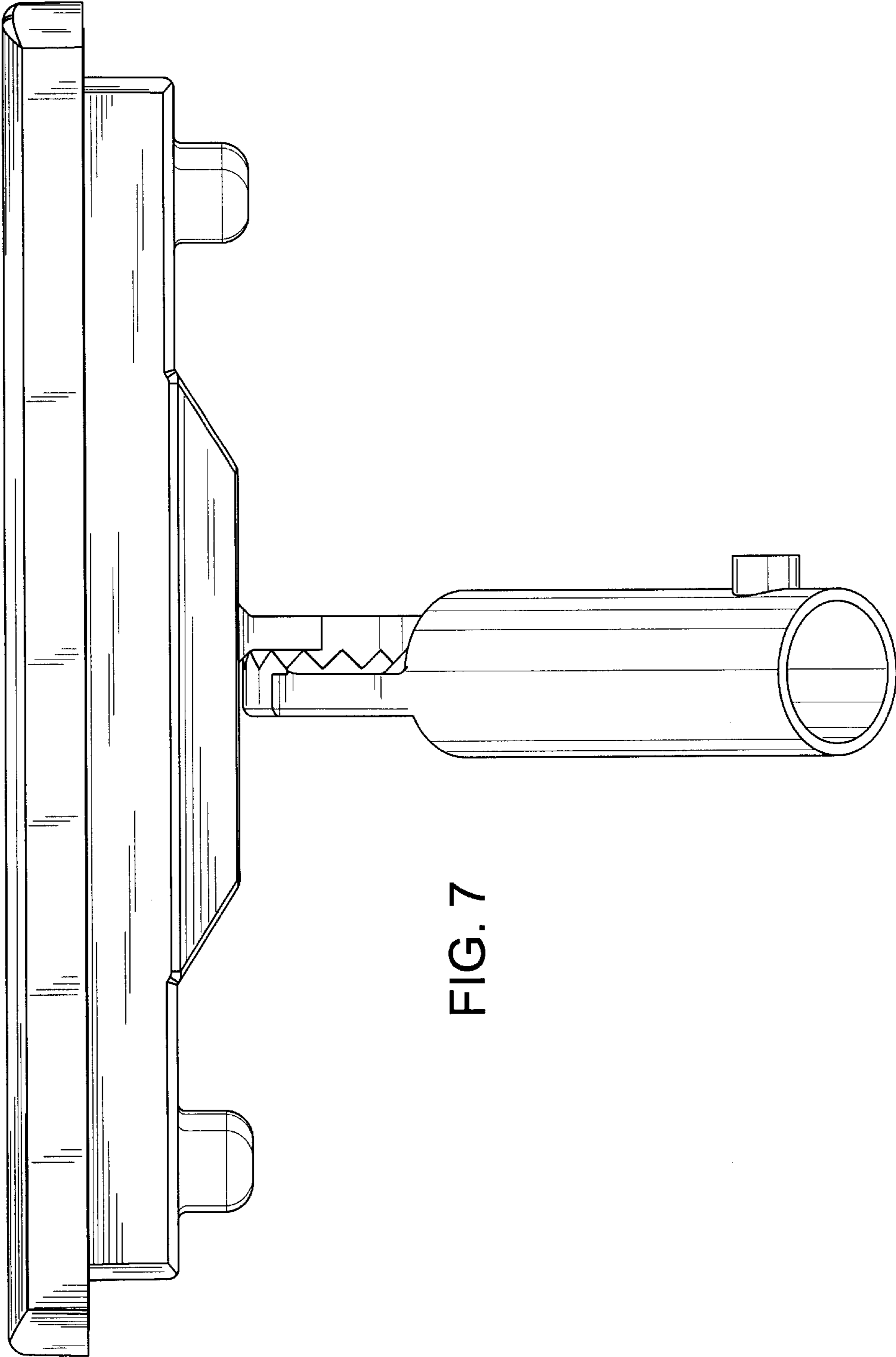


FIG. 7

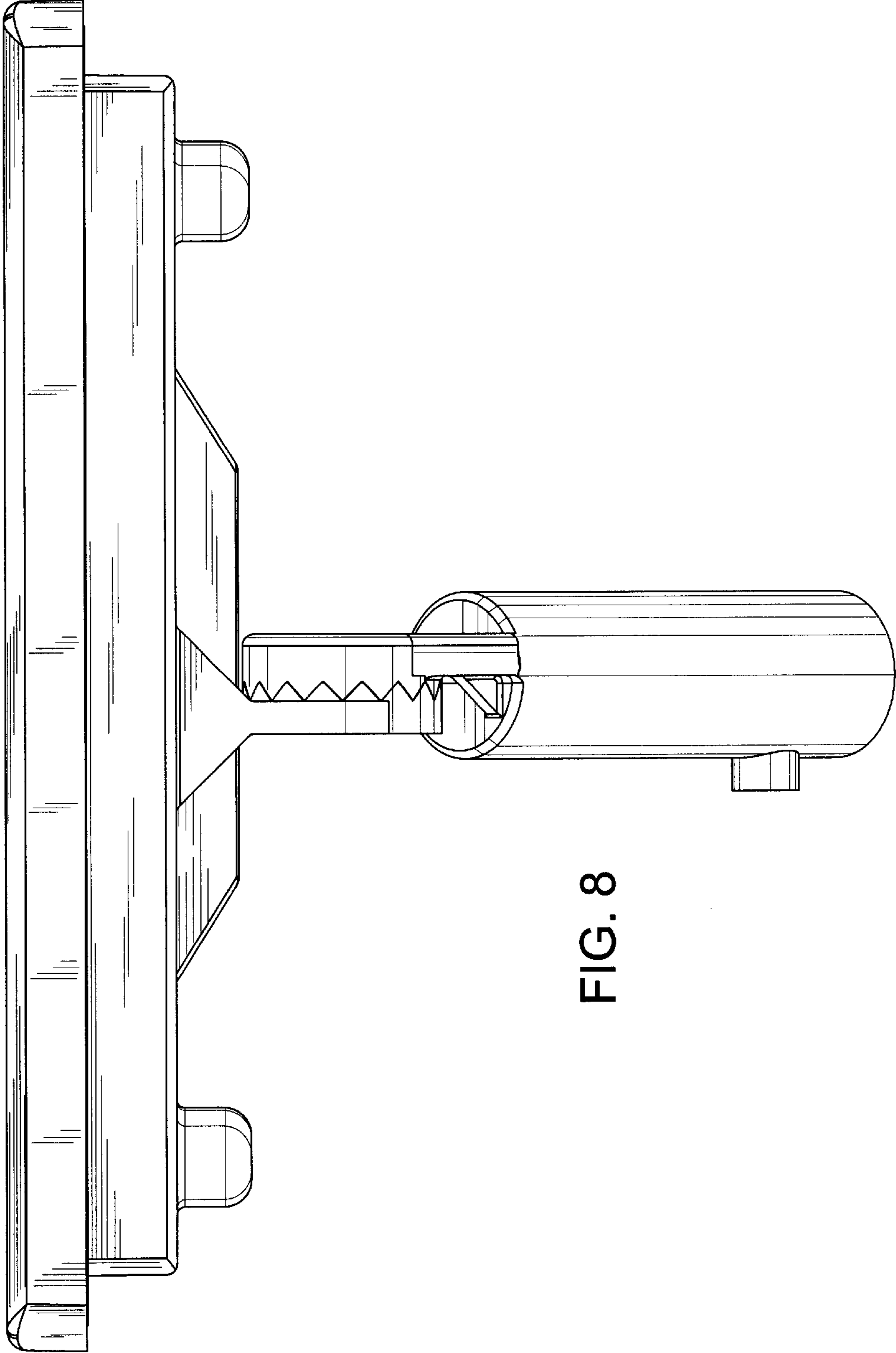


FIG. 8