



US00D533672S

(12) **United States Design Patent**  
**Uffner et al.**

(10) **Patent No.:** **US D533,672 S**

(45) **Date of Patent:** **\*\* Dec. 12, 2006**

(54) **MODULAR CUPOLA**

D413,170 S \* 8/1999 Nystrom ..... D25/35  
6,422,936 B1 \* 7/2002 Van Gilst et al. .... 454/367

(75) Inventors: **Mike Uffner**, Naperville, IL (US); **Jed Richardson**, Batavia, IL (US);  
**Torrence Anderson**, Overland Park, KS (US)

\* cited by examiner

*Primary Examiner*—Doris Clark  
(74) *Attorney, Agent, or Firm*—McHale & Slavin

(73) Assignee: **Suncast Corporation**, Batavia, IL (US)

(\*\*) Term: **14 Years**

(57) **CLAIM**

The ornamental design for a modular cupola, as shown and described.

(21) Appl. No.: **29/240,058**

(22) Filed: **Oct. 7, 2005**

**DESCRIPTION**

(51) **LOC (8) Cl.** ..... **25-02**

FIG. 1 is a perspective view of the modular cupola of the instant invention;

(52) **U.S. Cl.** ..... **D25/35**

FIG. 2 is a front elevation view thereof, the rear elevation view being identical thereto;

(58) **Field of Classification Search** ..... D25/35,  
D25/1, 3, 13; 52/200

FIG. 3 is a right side elevation view thereof, the left side elevation view being identical thereto; and,

See application file for complete search history.

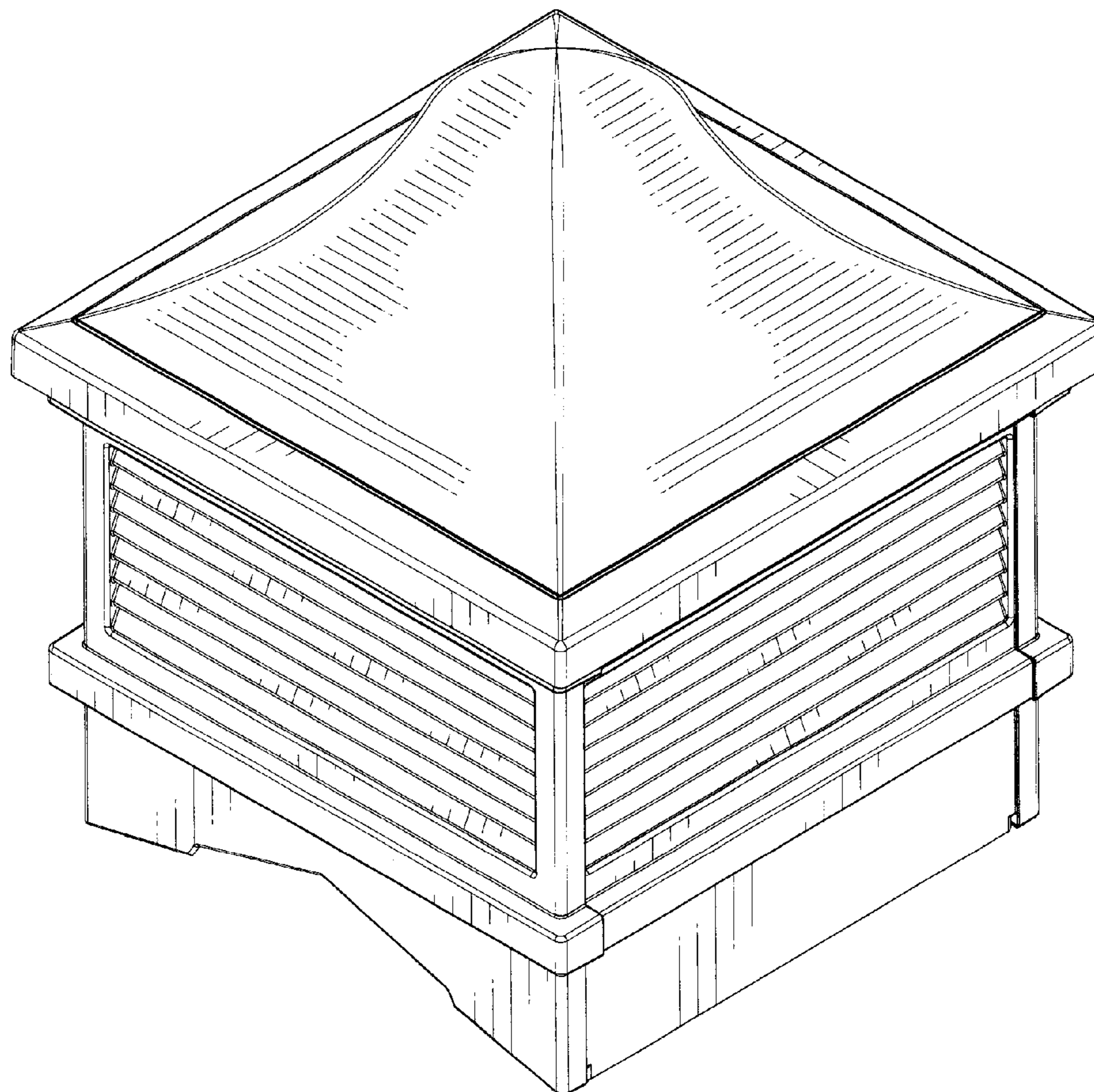
FIG. 4 is a top view thereof.

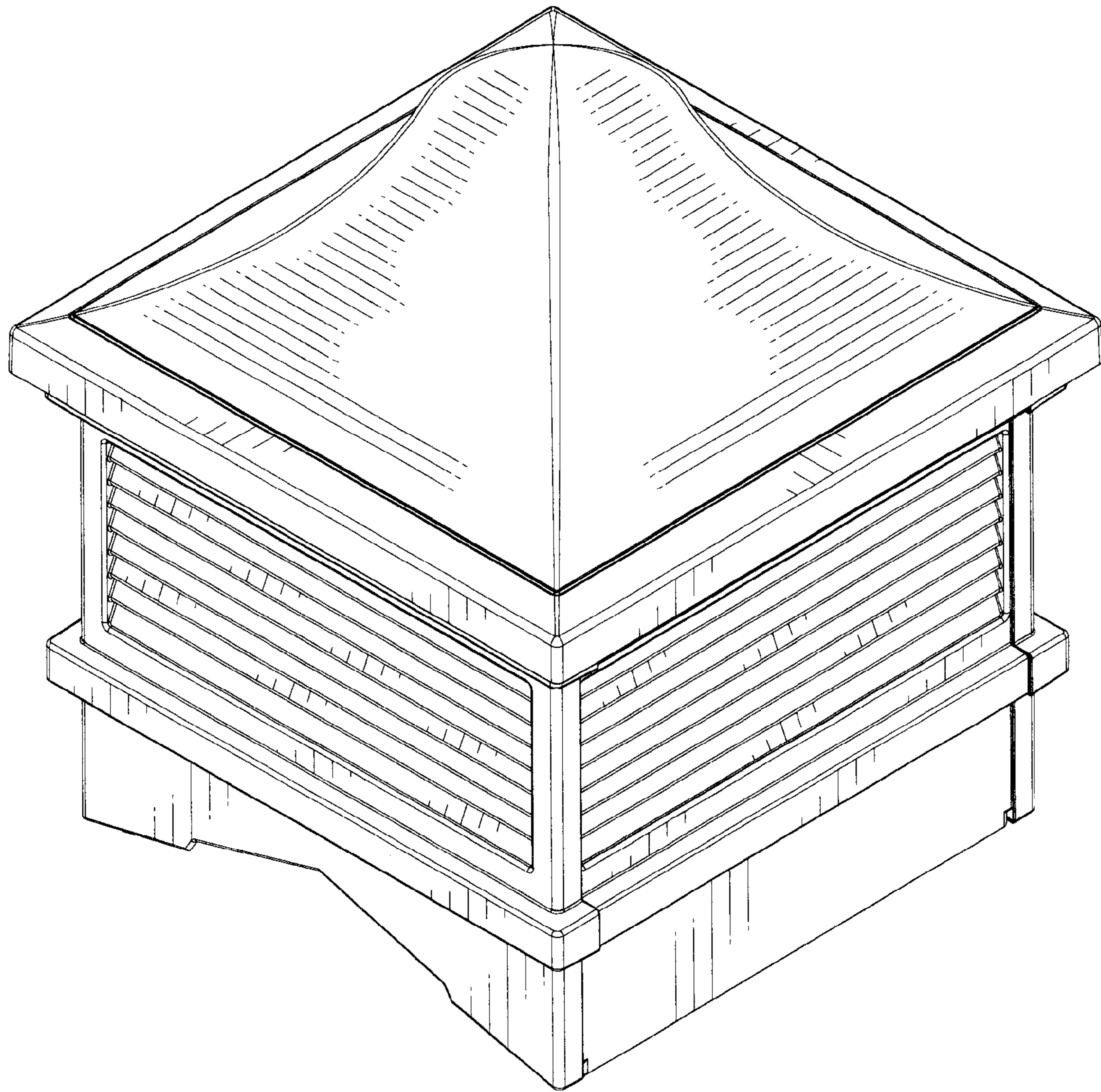
(56) **References Cited**

**U.S. PATENT DOCUMENTS**

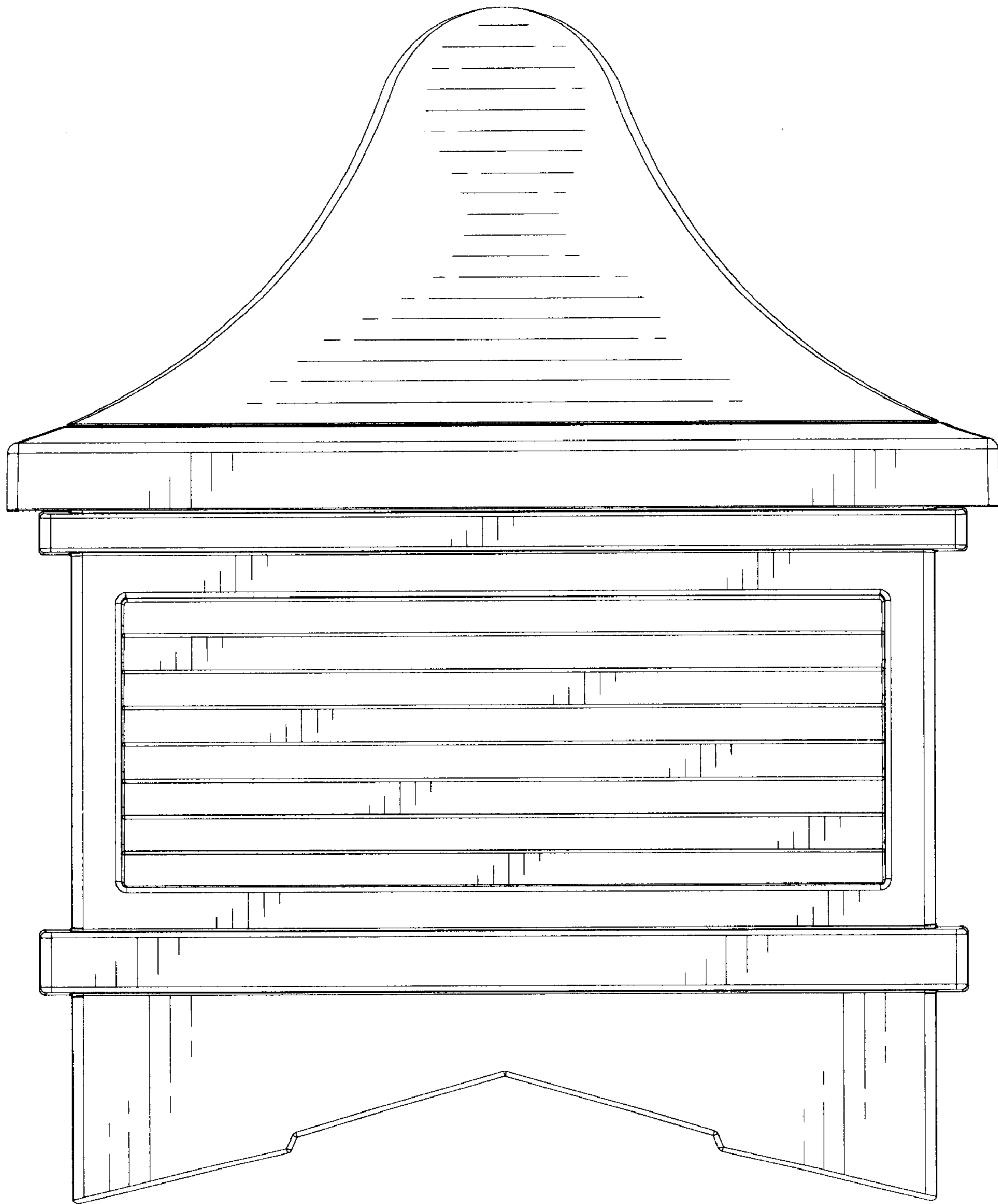
4,888,923 A \* 12/1989 Post, Jr. .... 52/200

**1 Claim, 4 Drawing Sheets**



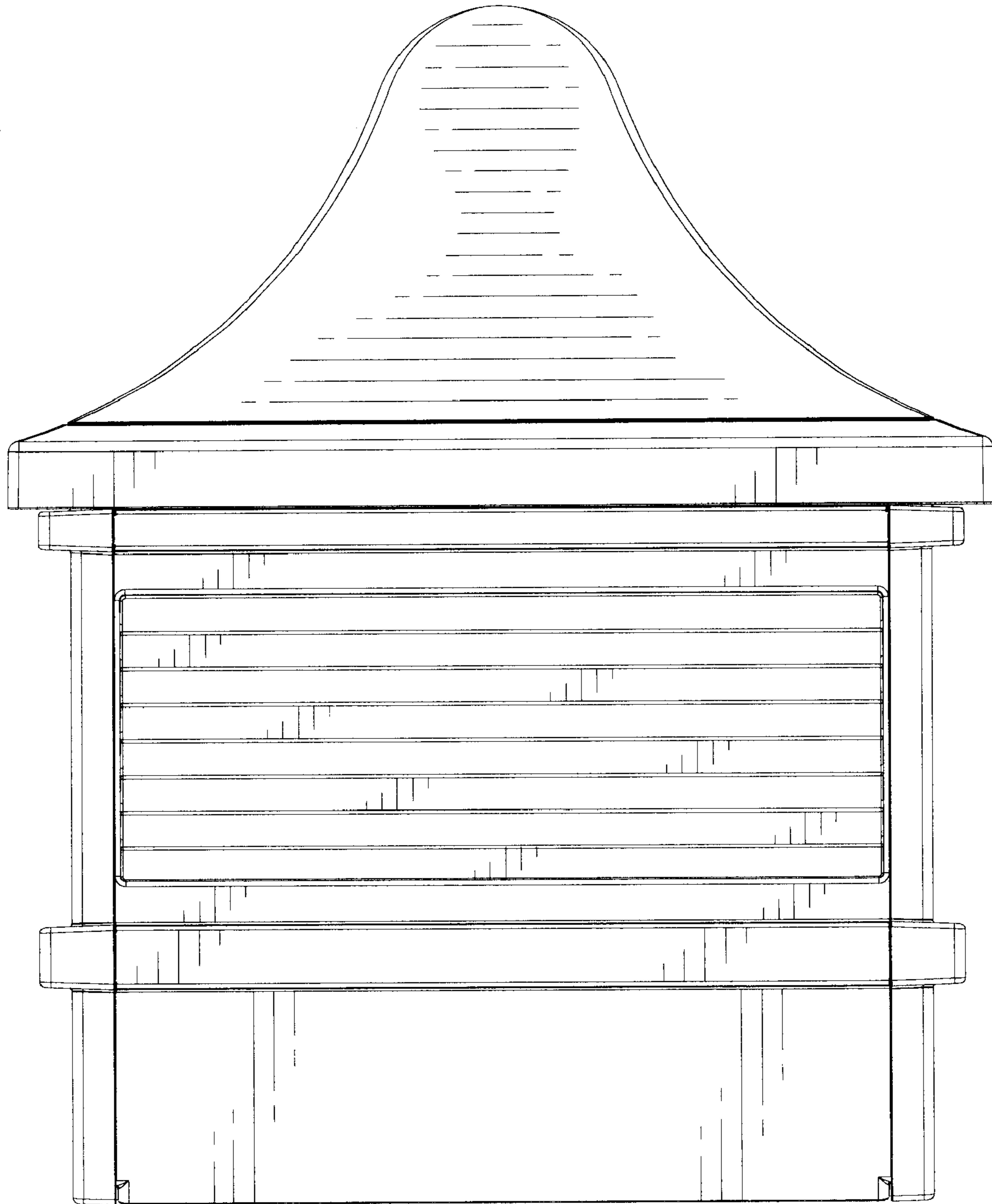


**FIGURE 1**

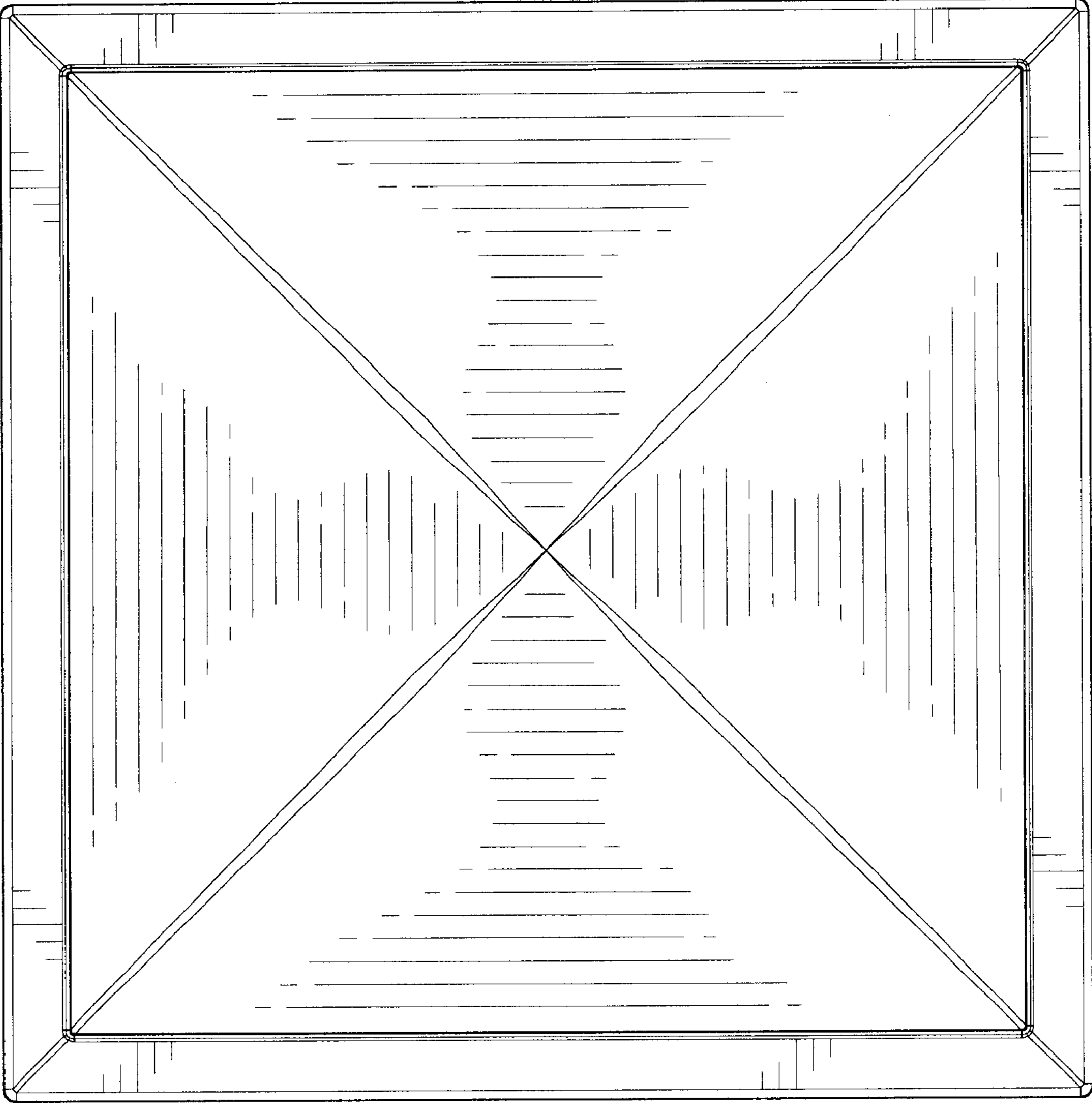


**FIGURE 2**





**FIGURE 3**



**FIGURE 4**