



US00D533670S

(12) **United States Design Patent** (10) **Patent No.:** **US D533,670 S**  
**Py et al.** (45) **Date of Patent:** **\*\* Dec. 12, 2006**

- (54) **VIAL** 4,171,057 A \* 10/1979 Gach ..... D24/224
- (75) Inventors: **Daniel Py**, Larchmont, NY (US); 4,205,754 A 6/1980 Nielsen et al.
- Norbert M. Assion**, Shelton, CT (US); 4,250,611 A 2/1981 Wong
- Julian V. Chan**, Spring Valley, NY 4,265,364 A 5/1981 Baba
- (US) 4,366,912 A 1/1983 Matukura et al.
- (73) Assignee: **Medical Instill Technologies, Inc.**, 4,390,111 A 6/1983 Robbins et al.
- New Milford, CT (US) 4,444,330 A 4/1984 Kasai et al.
- (\*\*) Term: **14 Years** 4,456,138 A 6/1984 Bereziat
- 4,471,879 A 9/1984 Connor et al.
- 4,499,148 A 2/1985 Goodale et al.
- D279,651 S 7/1985 Freeman

(Continued)

(21) Appl. No.: **29/254,935**

FOREIGN PATENT DOCUMENTS

(22) Filed: **Mar. 1, 2006**

CA	1 123 792	5/1982
EP	0 921 151 B1	10/2001
FR	2 509 689	7/1981
GB	500534	2/1939
GB	984149	2/1965
GB	2 091 229 A	7/1982
GB	2 364 700 A	2/2002
WO	WO 95/34381	12/1995

**Related U.S. Application Data**

(62) Division of application No. 29/223,408, filed on Feb. 14, 2005, now Pat. No. Des. 522,663, which is a division of application No. 29/189,780, filed on Sep. 10, 2003, now Pat. No. Des. 505,494, which is a division of application No. 29/166,810, filed on Sep. 3, 2002, now Pat. No. Des. 485,365.

(51) **LOC (8) Cl.** ..... **24-02**

*Primary Examiner*—Ian Simmons

(52) **U.S. Cl.** ..... **D24/224; D24/121**

*Assistant Examiner*—Melanie Levy

(58) **Field of Classification Search** ..... D24/121,  
D24/216, 224; D9/445, 446, 434, 439; 422/102;  
215/DIG. 3

(74) *Attorney, Agent, or Firm*—McCarter & English, LLP

See application file for complete search history.

(57) **CLAIM**

We claim, the ornamental design for a vial, as shown and described.

(56) **References Cited**

**DESCRIPTION**

U.S. PATENT DOCUMENTS

2,503,147 A	4/1950	Applezweig
2,667,986 A	2/1954	Perelson
3,092,278 A	6/1963	Järnhäll
3,193,128 A	7/1965	Ravn
3,278,063 A	10/1966	Kranzhoff
3,340,671 A	9/1967	Loo
3,358,865 A	12/1967	Andersen
3,392,859 A	7/1968	Fischer
3,637,102 A	1/1972	Shaw
3,685,248 A	8/1972	Godelaine
3,811,591 A	5/1974	Novitch
4,048,255 A	9/1977	Hillier et al.

FIG. 1 is a top perspective view of a first embodiment of a vial showing our new design;

FIG. 2 is a front elevational view of the vial of FIG. 1;

FIG. 3 is a side elevational view of the vial of FIG. 1;

FIG. 4 is another side elevational view of the vial of FIG. 1;

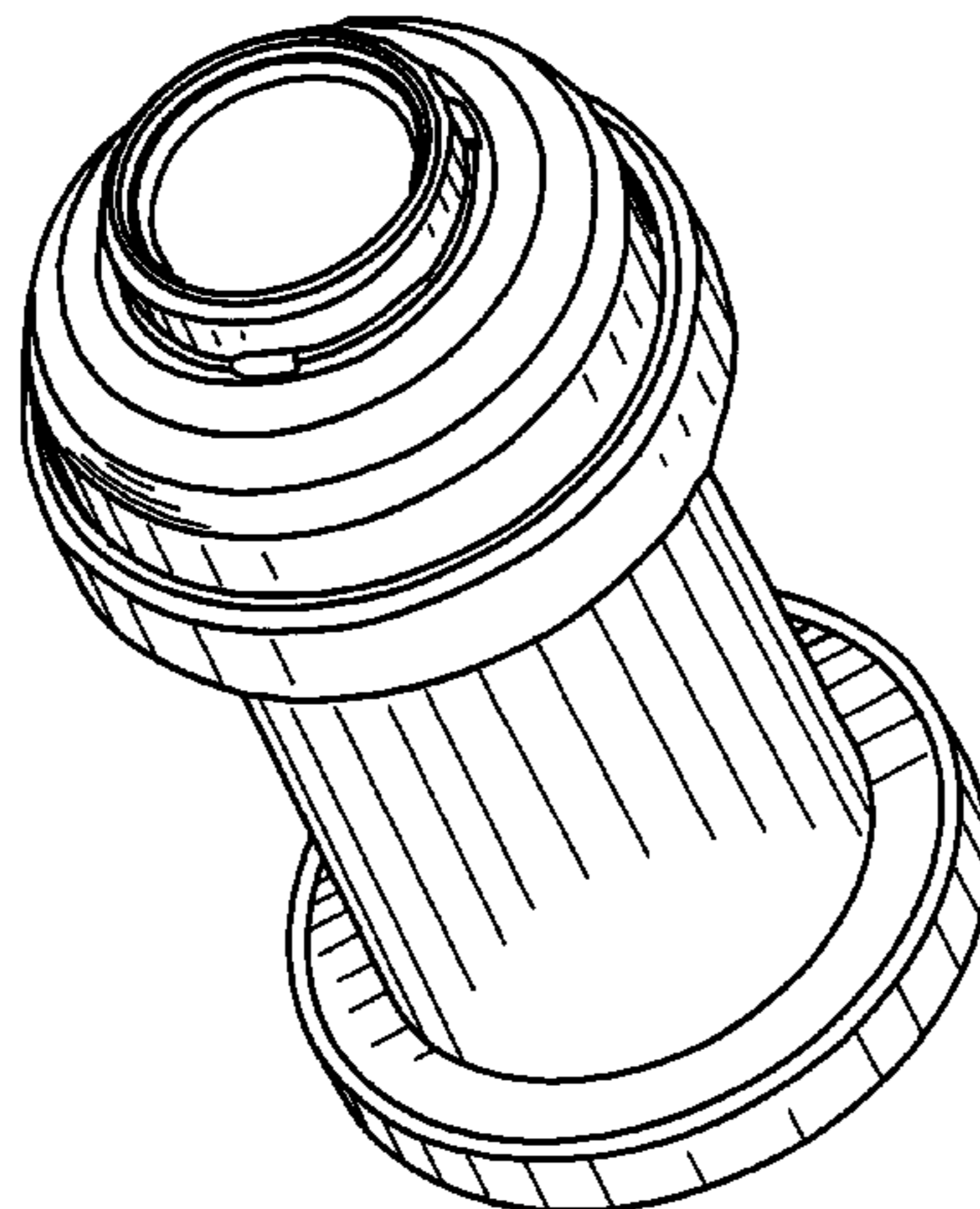
FIG. 5 is a top plan view of the vial of FIG. 1;

FIG. 6 is a rear elevational view of the vial of FIG. 1; and,

FIG. 7 is a bottom plan view of the vial of FIG. 1.

The broken lines shown in the drawing figures are for illustrative purposes only and form no part of the claimed design.

**1 Claim, 4 Drawing Sheets**



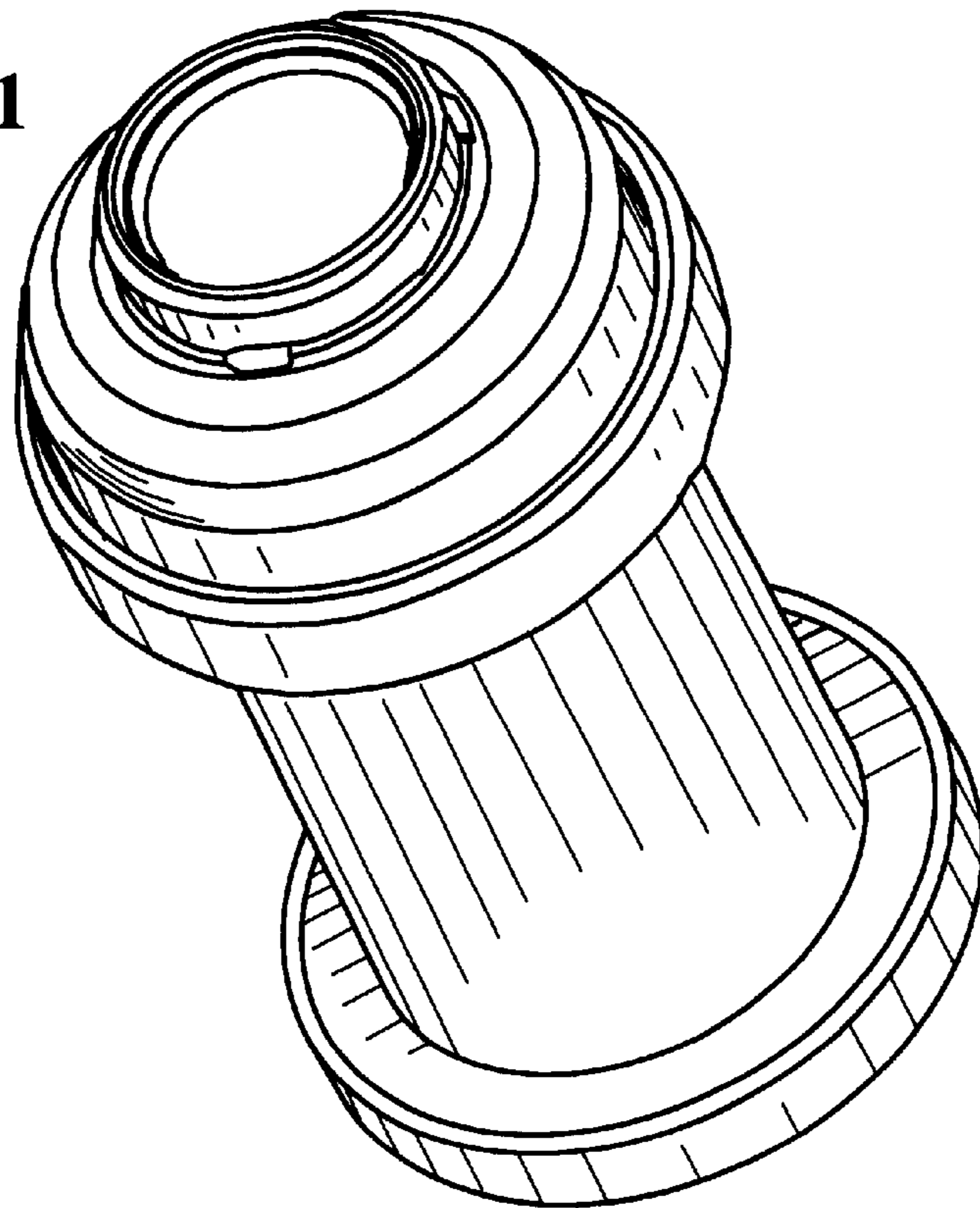
# US D533,670 S

Page 2

U.S. PATENT DOCUMENTS					
4,635,807	A	1/1987 Knapp	5,744,087	A	4/1998 Williams et al.
4,664,275	A	5/1987 Kasai et al.	5,816,772	A	10/1998 Py
4,664,277	A	5/1987 Connor	5,823,373	A	10/1998 Sudo et al.
4,703,781	A	11/1987 Meyer et al.	D401,699	S *	11/1998 Herchenbach et al. .... D24/224
D298,012	S *	10/1988 Larkin et al. .... D24/224	5,902,298	A	5/1999 Niedoşpial et al.
4,815,619	A	3/1989 Turner et al.	5,931,828	A	8/1999 Durkee
4,842,028	A	6/1989 Kaufman et al.	5,971,181	A	10/1999 Niedoşpial, Jr. et al.
5,031,675	A	7/1991 Lindgren	6,006,932	A	12/1999 Morini
5,085,332	A	2/1992 Gettig et al.	6,068,150	A	5/2000 Mitchell et al.
5,088,612	A	2/1992 Storar et al.	6,070,748	A	6/2000 Sotrar
5,088,995	A	2/1992 Packard et al.	6,095,355	A	8/2000 Jessen et al.
5,129,212	A	7/1992 Duffey et al.	6,145,688	A	11/2000 Smith
5,247,015	A	9/1993 Bayan	D439,345	S	3/2001 Herchenbach et al.
5,341,854	A	8/1994 Zezulka et al.	6,223,918	B1	5/2001 Browne
5,344,036	A	9/1994 Stanescu et al.	6,234,335	B1	5/2001 Gee et al.
5,379,908	A	1/1995 Rohe	6,382,441	B1	5/2002 Carano
5,411,065	A	5/1995 Meador et al.	6,416,499	B1	7/2002 Paul, Jr.
5,464,111	A	11/1995 Vacek et al.	6,607,685	B1	8/2003 Naritomi et al.
5,484,566	A	1/1996 Gabbard	D485,365	S *	1/2004 Py et al. .... D24/224
5,514,339	A	5/1996 Leopardi et al.	6,681,475	B1	1/2004 Thibault et al.
5,549,141	A	8/1996 Meador et al.	D487,594	S *	3/2004 Alscher et al. .... D24/224
5,641,004	A	6/1997 Py	D505,494	S *	5/2005 Py et al. .... D24/224
D383,214	S	9/1997 Brennan	D522,663	S *	6/2006 Py et al. .... D24/224
D389,586	S	1/1998 Brennan	2002/0023893	A1	2/2002 Sudo et al.
5,718,348	A	2/1998 Manera			

\* cited by examiner

**FIG. 1**



**FIG. 2**

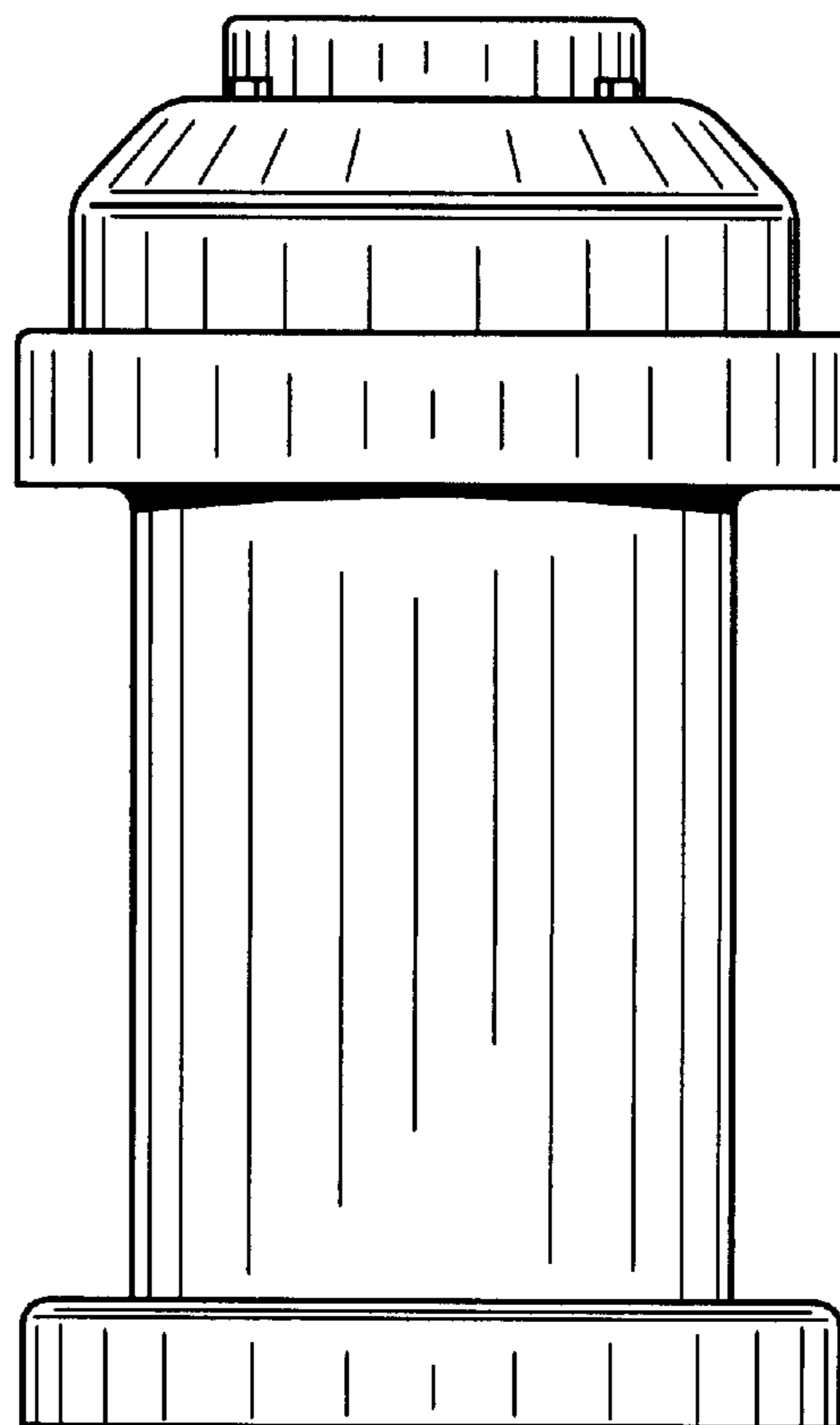


FIG. 4

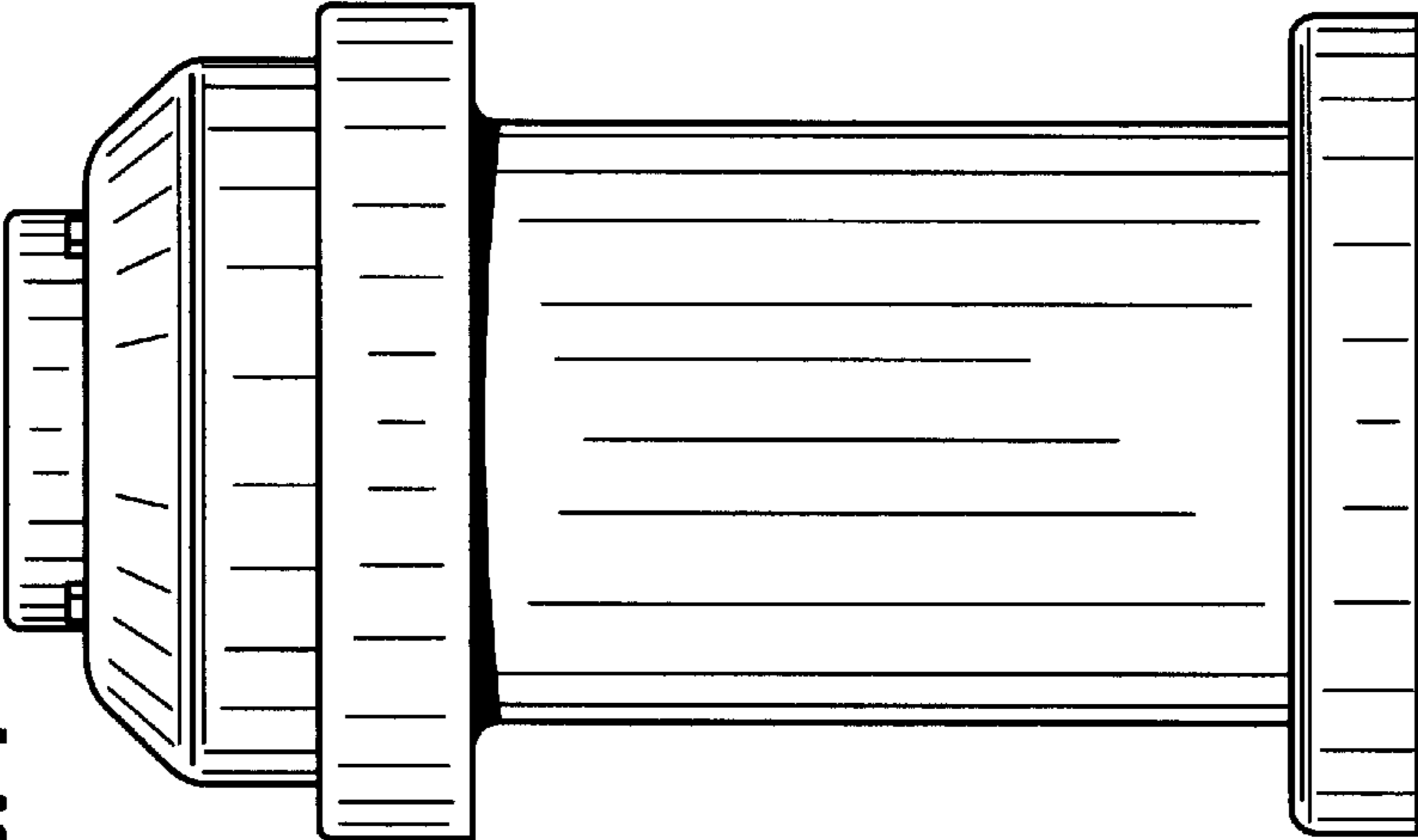
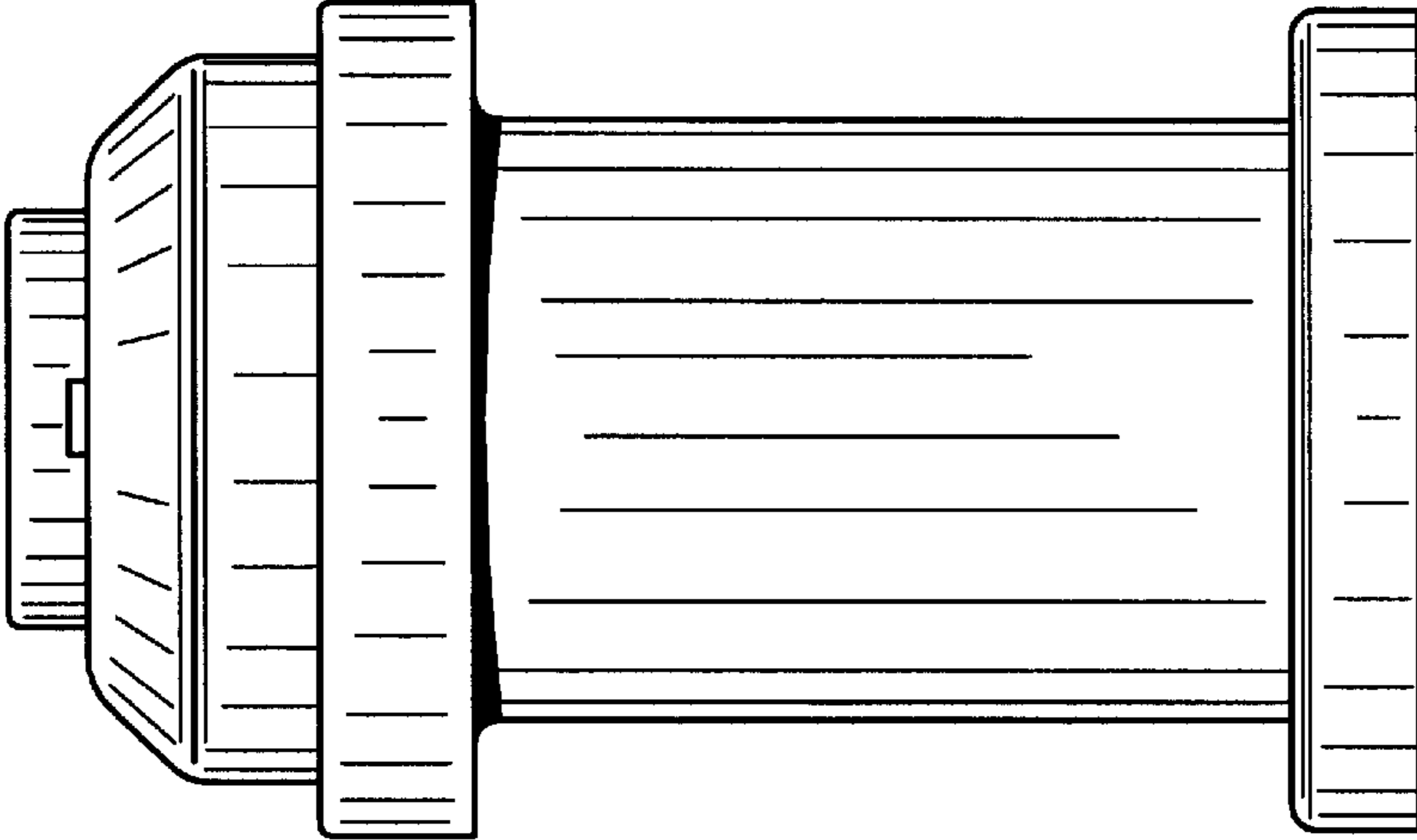
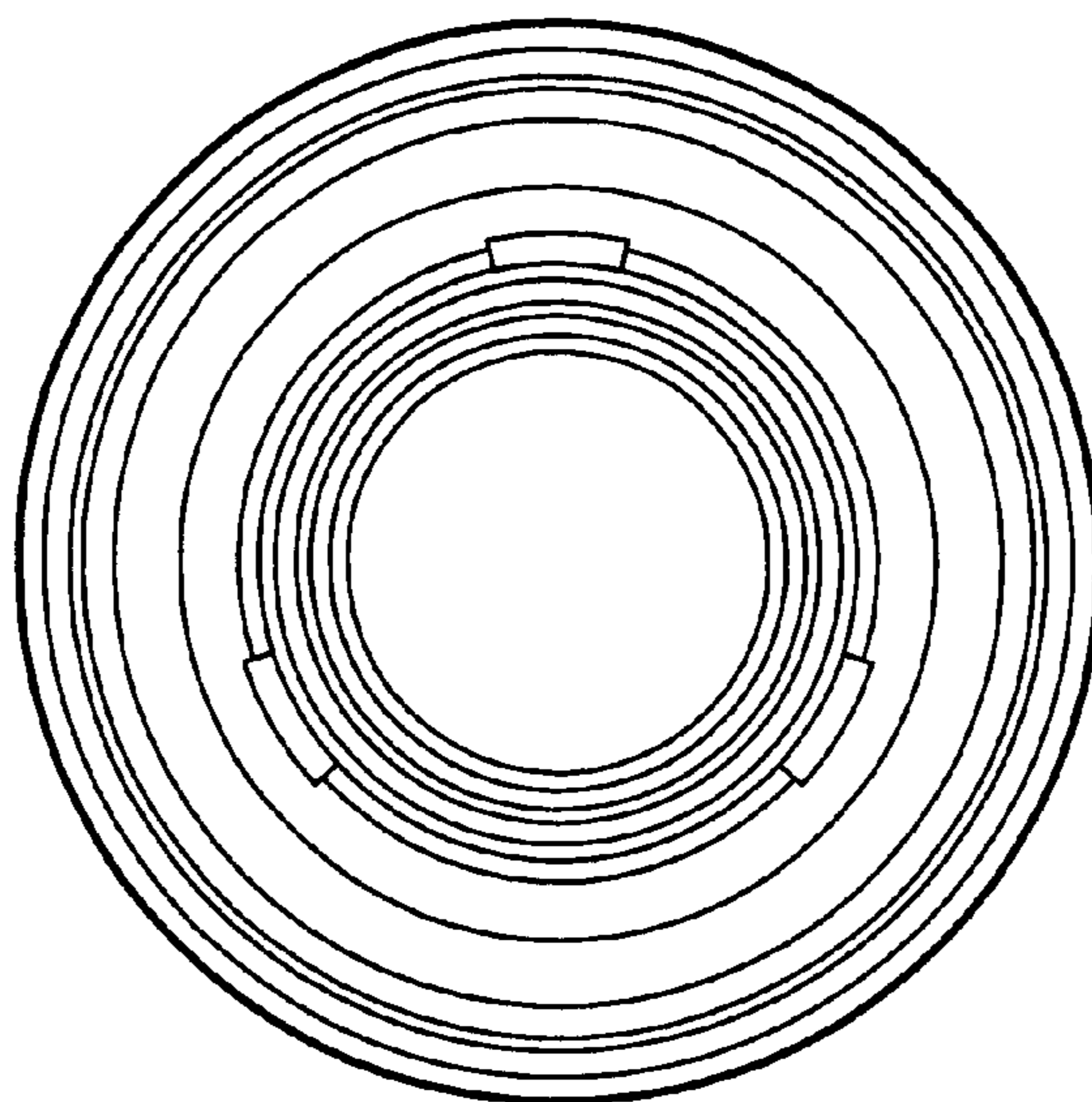


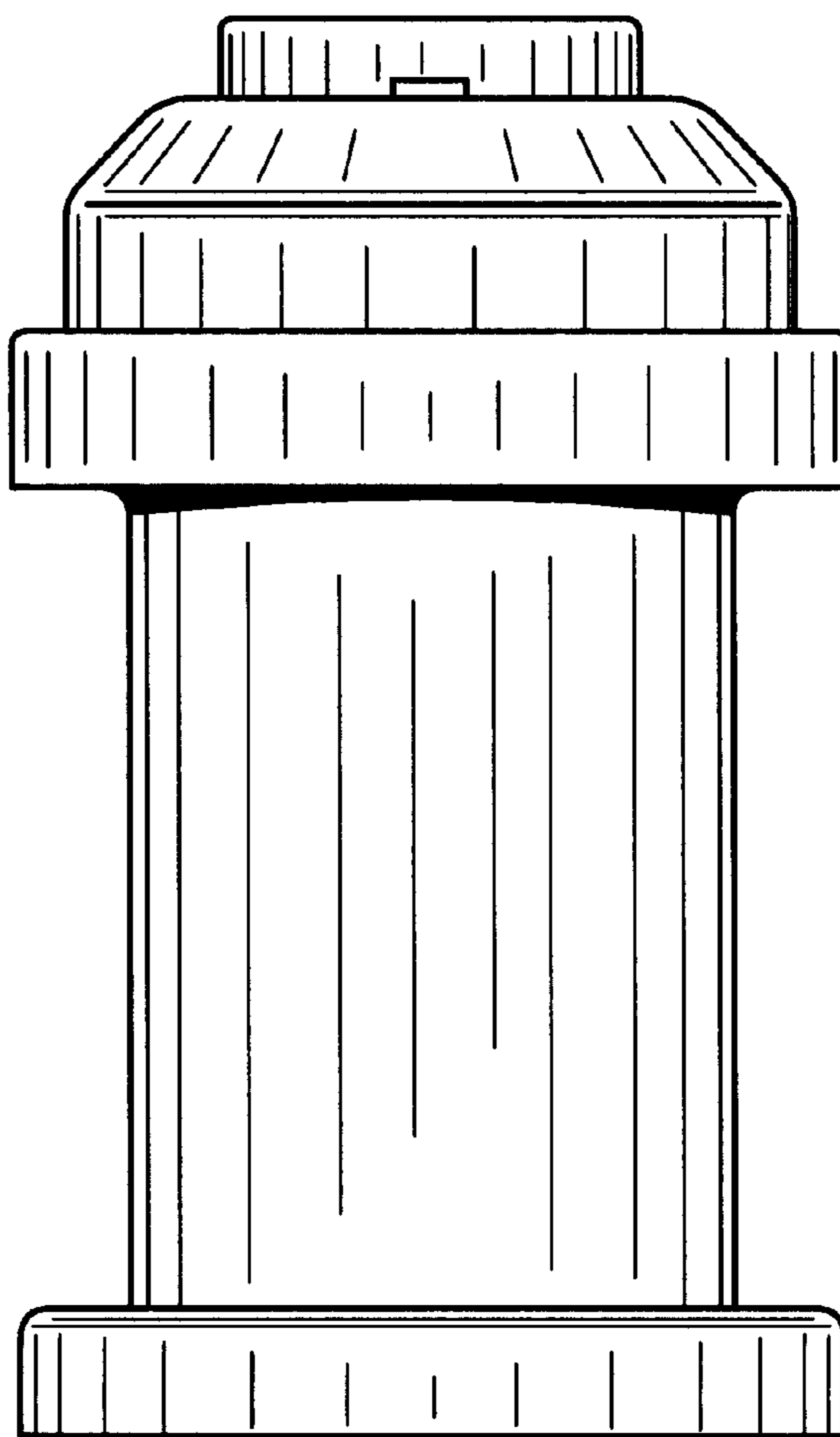
FIG. 3



**FIG. 5**



**FIG. 6**



**FIG. 7**

