



US00D533668S

(12) **United States Design Patent**
Brown

(10) **Patent No.:** **US D533,668 S**

(45) **Date of Patent:** **** Dec. 12, 2006**

(54) **MAGNETIC THERAPEUTIC ELBOW BRACE**

(76) **Inventor:** **Carl Brown**, 40087 Mission Blvd,
Fremont, CA (US) 94539

(**) **Term:** **14 Years**

(21) **Appl. No.:** **29/220,167**

(22) **Filed:** **Dec. 27, 2004**

(51) **LOC (8) Cl.** **24-04**

(52) **U.S. Cl.** **D24/200; D24/190**

(58) **Field of Classification Search** D24/200,
D24/189, 190; 602/20-22, 60-64; D29/121.1,
D29/23, 120.1; 601/15; 600/9, 15
See application file for complete search history.

(56) **References Cited**

U.S. PATENT DOCUMENTS

D261,936 S	*	11/1981	Sumiyasu	D24/211
D346,245 S	*	4/1994	Krent et al.	D29/121.1
D353,005 S	*	11/1994	Glidden	D24/190
5,389,061 A	*	2/1995	Nor	600/15
D389,582 S	*	1/1998	Bodenschatz et al.	D24/190
D426,640 S	*	6/2000	Bell et al.	D24/200
6,093,143 A	*	7/2000	Nagler	600/15
D454,198 S	*	3/2002	Lamping et al.	D24/190

D459,816 S	*	7/2002	Perricone	D24/200
D477,412 S	*	7/2003	Miles	D24/200
D494,324 S	*	8/2004	Mundy et al.	D29/121.1
D510,140 S	*	9/2005	Brown	D24/200

* cited by examiner

Primary Examiner—Ian Simmons

Assistant Examiner—Melanie Levy

(74) *Attorney, Agent, or Firm*—Goldstein Law Offices P.C.

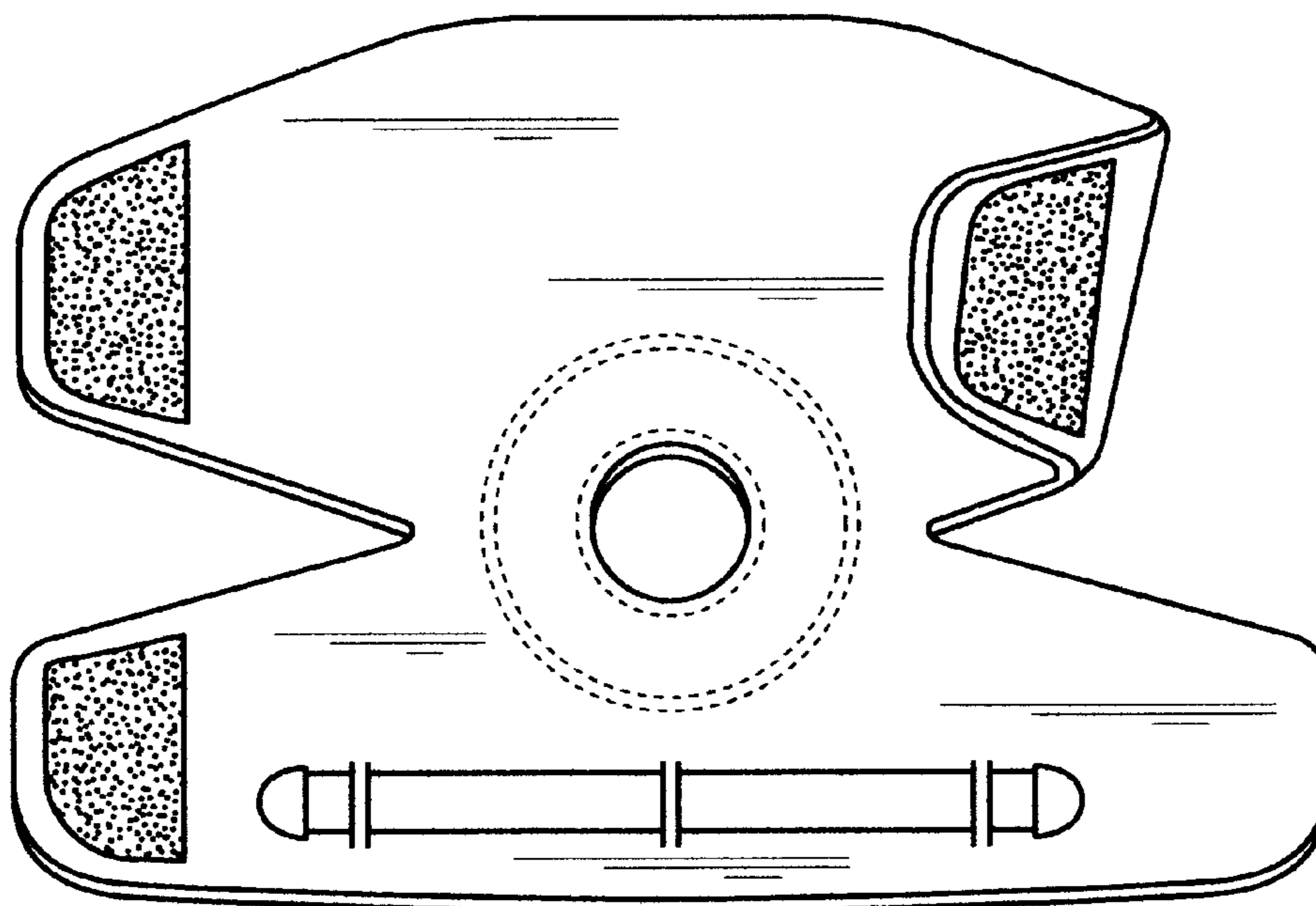
(57) **CLAIM**

I claim the ornamental design for a magnetic therapeutic elbow brace, as shown and described.

DESCRIPTION

FIG. 1 is a perspective view of the magnetic therapeutic elbow brace showing my new design;
 FIG. 2 is a front elevational view thereof;
 FIG. 3 is a rear elevational view thereof;
 FIG. 4 is a right side elevational view thereof;
 FIG. 5 is a left side elevational view thereof;
 FIG. 6 is a top plan view thereof; and,
 FIG. 7 is a bottom plan view thereof.
 The broken lines are for illustrative purposes only and form no part of the claimed design.

1 Claim, 3 Drawing Sheets



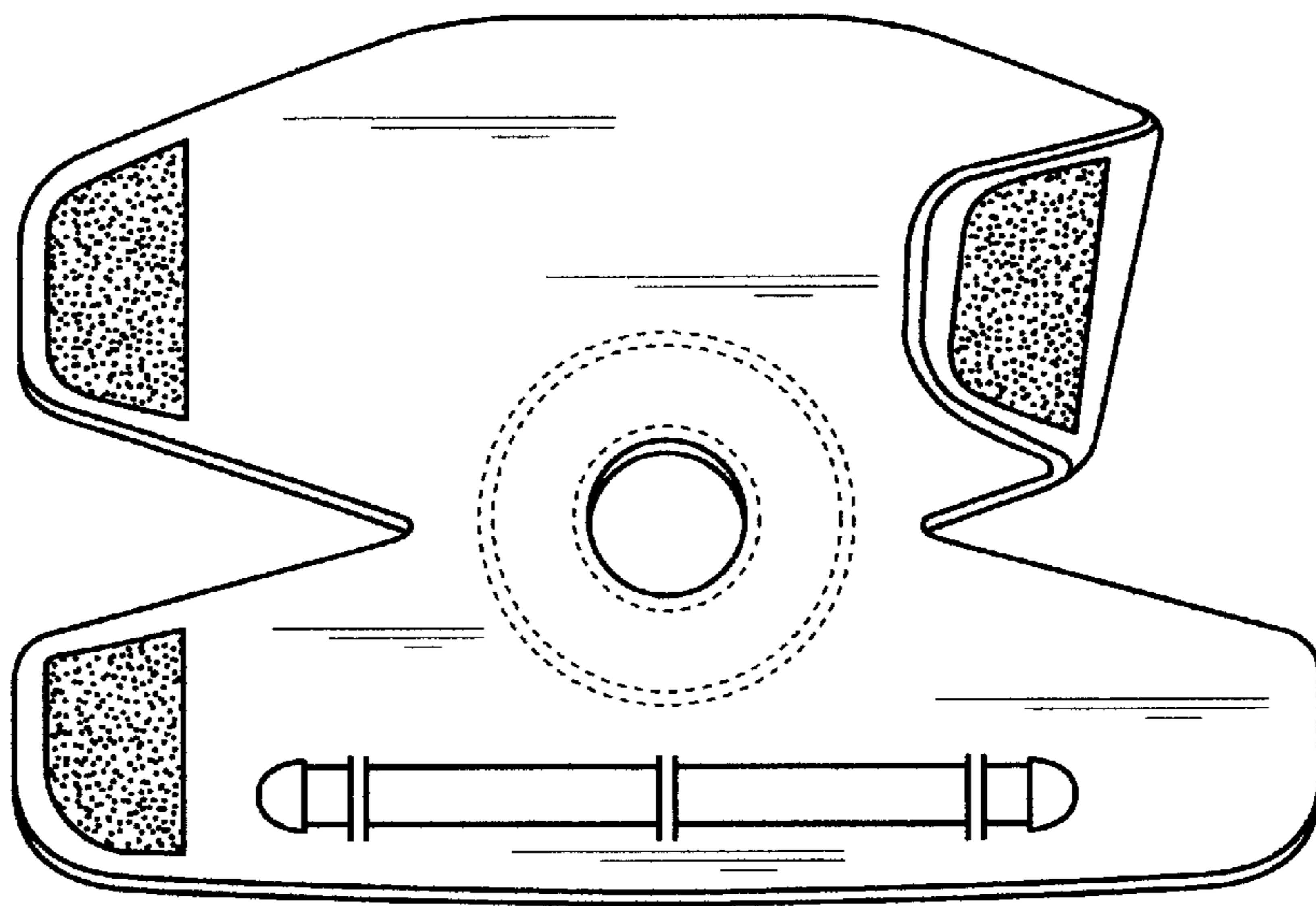


FIG. 1

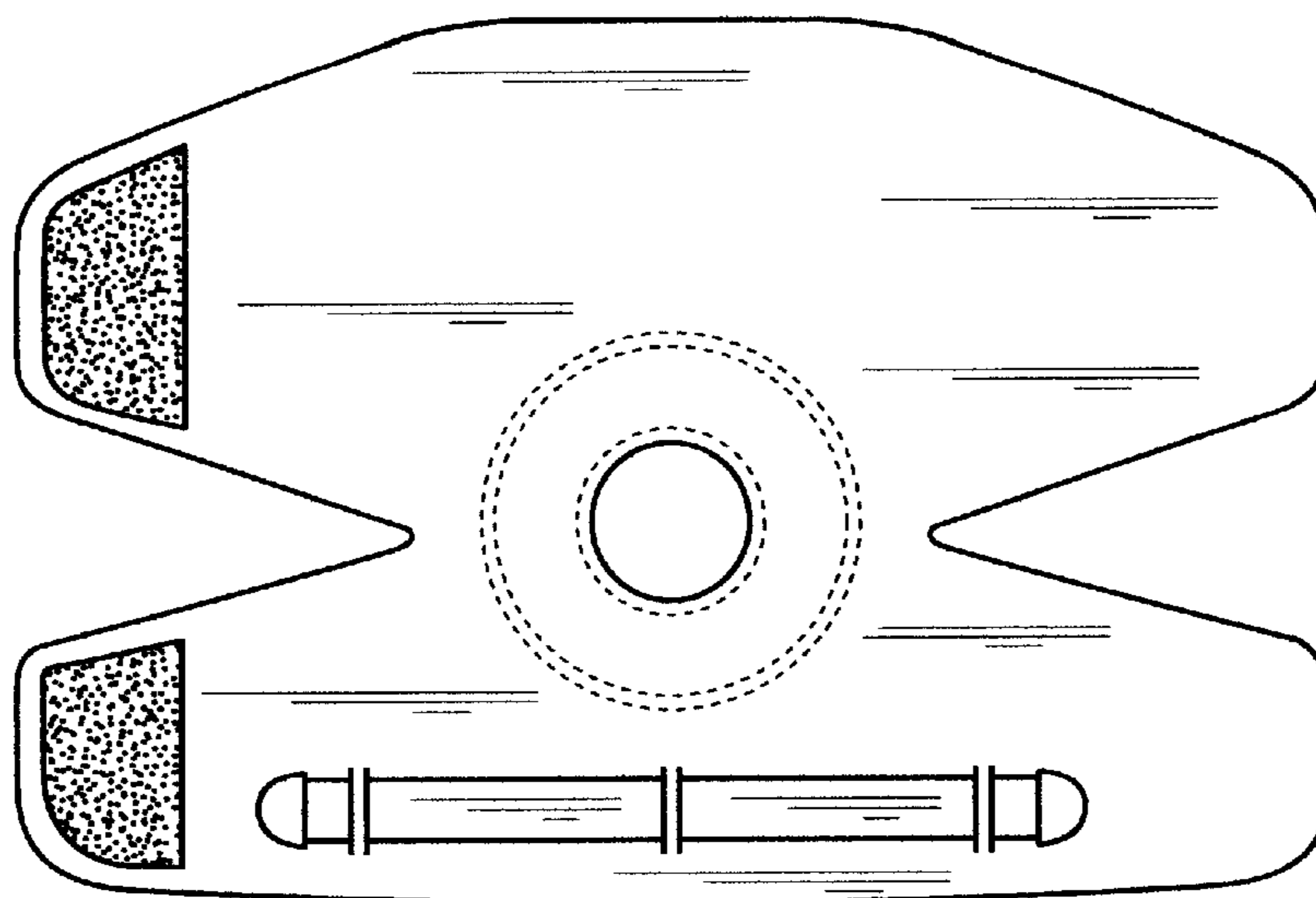


FIG. 2

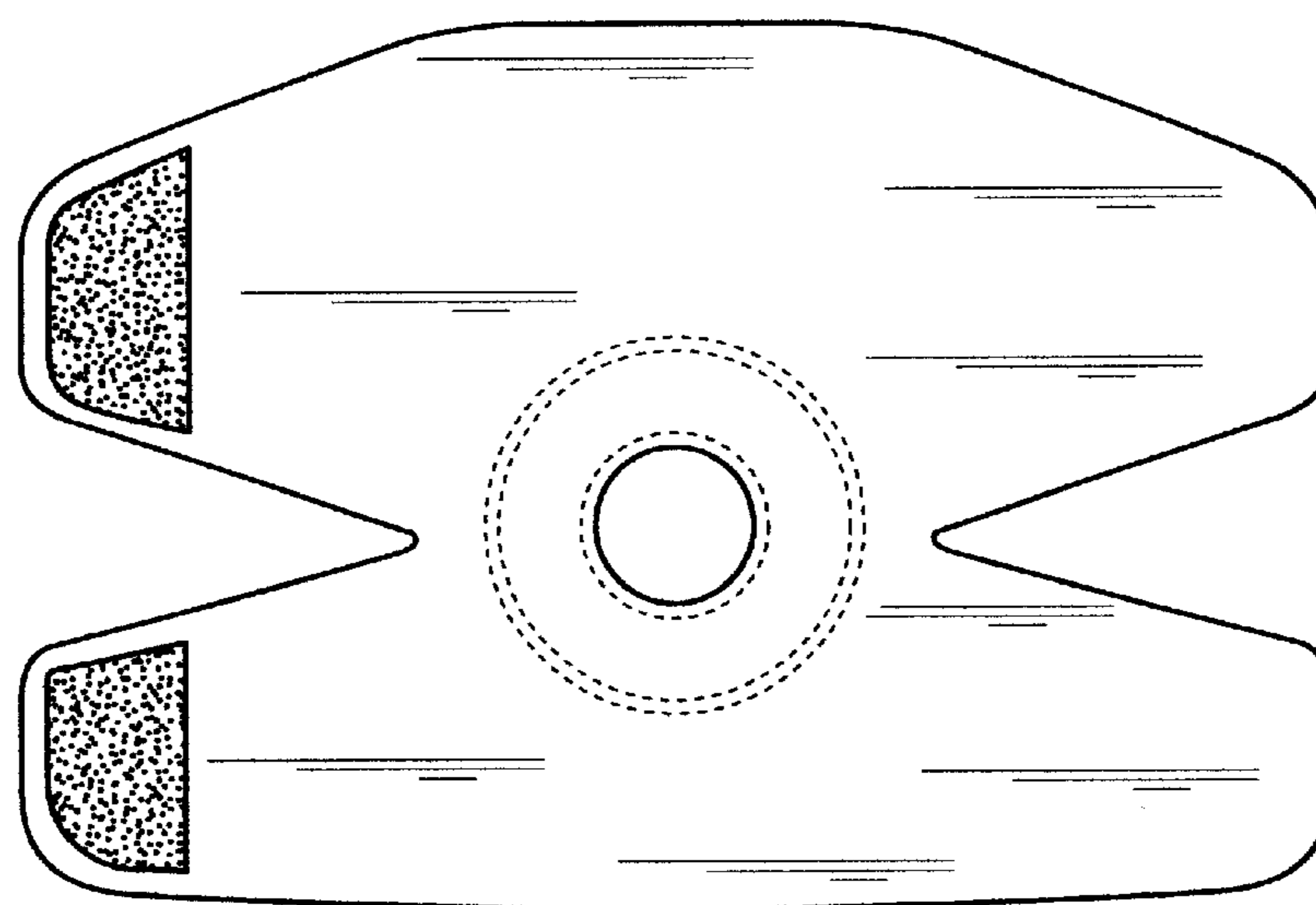


FIG. 3



FIG. 4



FIG. 5



FIG. 6



FIG. 7