



US00D533667S

(12) **United States Design Patent**  
**Roleder**

(10) **Patent No.:** **US D533,667 S**

(45) **Date of Patent:** **\*\* Dec. 12, 2006**

(54) **MESSAGE TABLE**

(75) Inventor: **Jon Roleder**, San Diego, CA (US)

(73) Assignee: **Earthlite Massage Tables, Inc.**, Vista, CA (US)

(\*\*) Term: **14 Years**

(21) Appl. No.: **29/232,526**

(22) Filed: **Jun. 21, 2005**

(51) **LOC (8) Cl.** ..... **24-04**

(52) **U.S. Cl.** ..... **D24/183**

(58) **Field of Classification Search** ..... D24/183,  
D24/188; 5/600, 607, 610, 622, 611-613,  
5/618; 108/132, 36; 269/901

See application file for complete search history.

(56) **References Cited**

**U.S. PATENT DOCUMENTS**

|           |    |   |         |                 |       |         |
|-----------|----|---|---------|-----------------|-------|---------|
| 4,333,638 | A  | * | 6/1982  | Gillotti        | ..... | 5/613   |
| D295,349  | S  |   | 4/1988  | Mueller         |       |         |
| 4,833,998 | A  | * | 5/1989  | Everett et al.  | ..... | 108/36  |
| 4,943,041 | A  |   | 7/1990  | Romein          |       |         |
| 5,009,170 | A  |   | 4/1991  | Spehar          |       |         |
| 5,335,676 | A  | * | 8/1994  | O'Brien         | ..... | 5/620   |
| 5,524,555 | A  |   | 6/1996  | Fanuzzi         |       |         |
| D403,772  | S  |   | 1/1999  | Fanuzzi         |       |         |
| 6,000,345 | A  | * | 12/1999 | Gillotti        | ..... | 108/36  |
| D433,508  | S  | * | 11/2000 | Crowther et al. | ..... | D24/183 |
| 6,615,431 | B1 | * | 9/2003  | Lin             | ..... | 5/620   |
| 6,684,426 | B1 |   | 2/2004  | Lin et al.      |       |         |
| 6,705,234 | B1 |   | 3/2004  | Miller et al.   |       |         |

**OTHER PUBLICATIONS**

<http://www.ovaltable.com/massageTables.htm>. These webpages include pictures of a prior art massage table sold by Creative Touch.

<http://www.oakworks.net/portables/advanta.html>. These webpages include a picture of a prior art massage table sold by Oakworks, Inc.

Earthlite Massage Tables, Inc. product brochure. This brochure includes pictures of prior art massage chairs sold by Earthlite Massage Tables, Inc.

[http://www.customcraftworks.com/port\\_tables2.html](http://www.customcraftworks.com/port_tables2.html).

These webpages include pictures of a massage table sold by Custom Craftworks. The applicant believes this massage table was first sold in Apr. 2005.

<http://www.oakworks.net/portables/advanta.html>. These webpages include a pictures of a prior art massage table sold by Oakworks, Inc.

\* cited by examiner

*Primary Examiner*—Louis S. Zarfes

*Assistant Examiner*—Daniel Yu

(74) *Attorney, Agent, or Firm*—Steven G. Roeder; James P. Broder

(57) **CLAIM**

The ornamental massage table, as shown and described.

**DESCRIPTION**

FIG. 1 is a perspective view of the massage table showing my new design in closed position;

FIG. 2 is another perspective view thereof;

FIG. 3 is a side view thereof;

FIG. 4 is a side view thereof opposite that shown in FIG. 3;

FIG. 5 is an end view thereof;

FIG. 6 is an end view thereof opposite that shown in FIG. 5;

FIG. 7 is a top view thereof;

FIG. 8 is a bottom view thereof;

FIG. 9 is a perspective view of the massage table showing my new design in open position;

FIG. 10 is another perspective view thereof;

FIG. 11 is a side view thereof;

FIG. 12 is a side view thereof opposite that shown in FIG. 11;

FIG. 13 is a top view thereof;

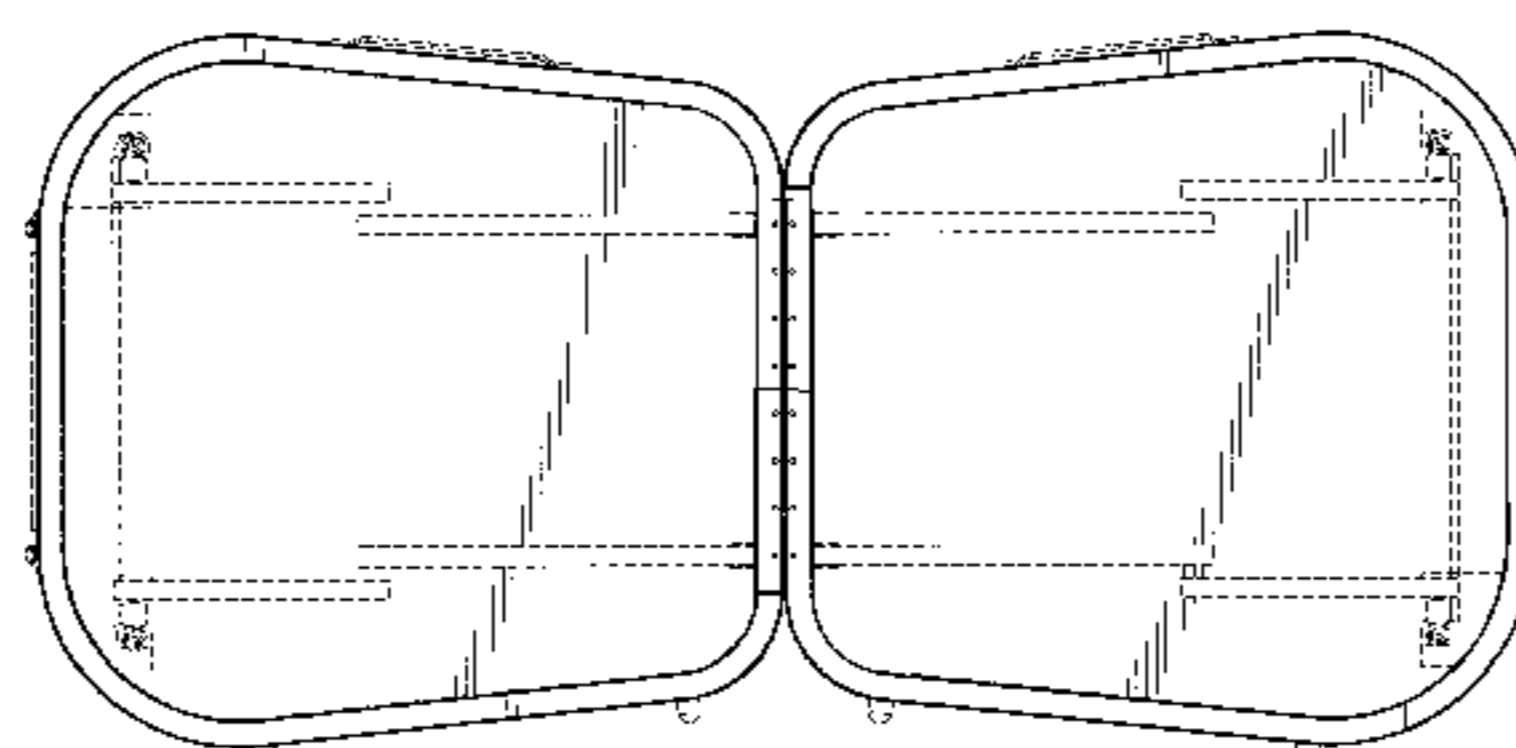
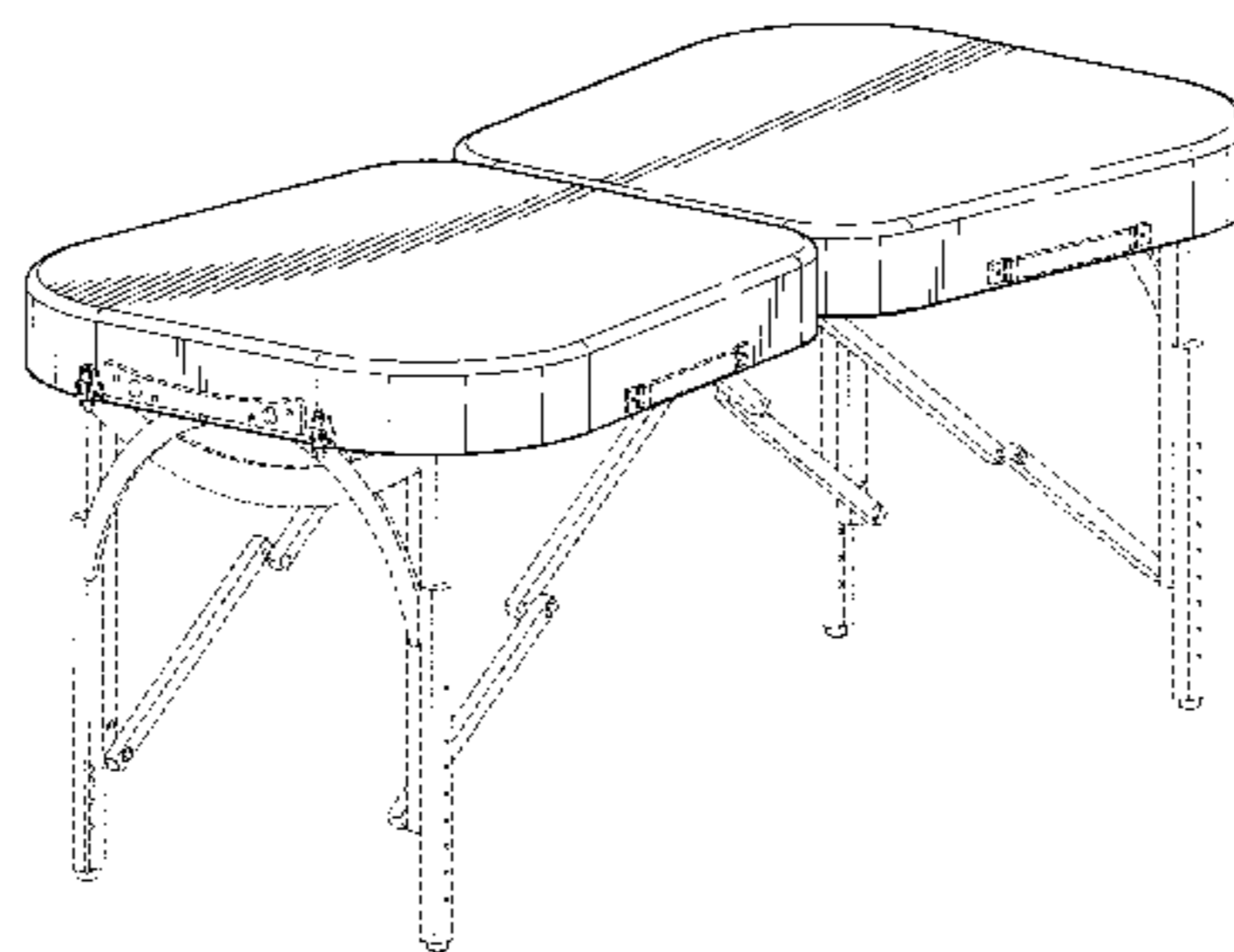
FIG. 14 is a bottom view thereof;

FIG. 15 is an end view thereof; and,

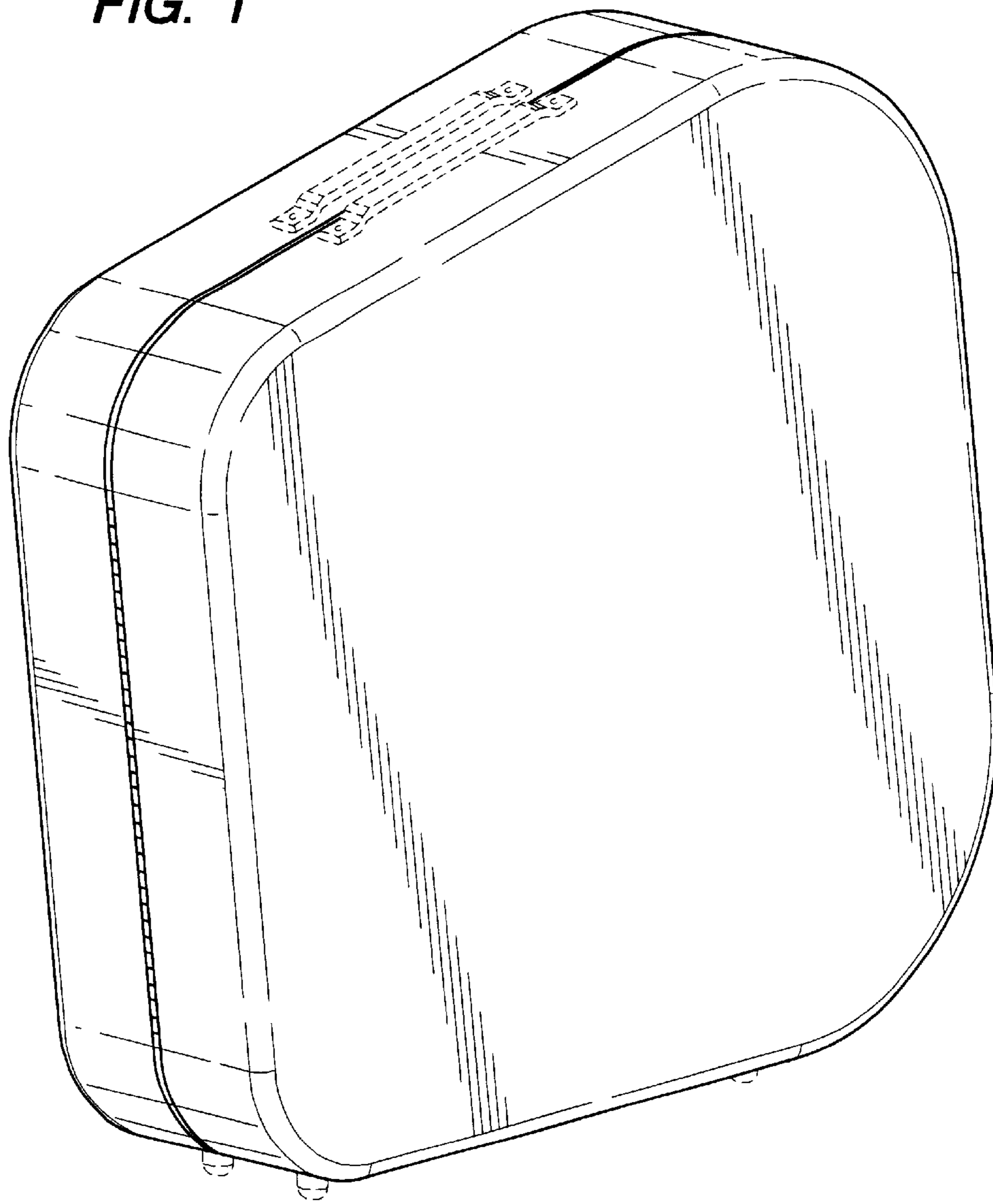
FIG. 16 is an end view thereof opposite that shown in FIG. 15.

The handles, the feet, the name plates, the draw latches, the leg assembly, the leg braces, and the endplates of the massage table are illustrated in the Figures in broken lines, are illustrative of environmental structure only, and form no part of the claimed design.

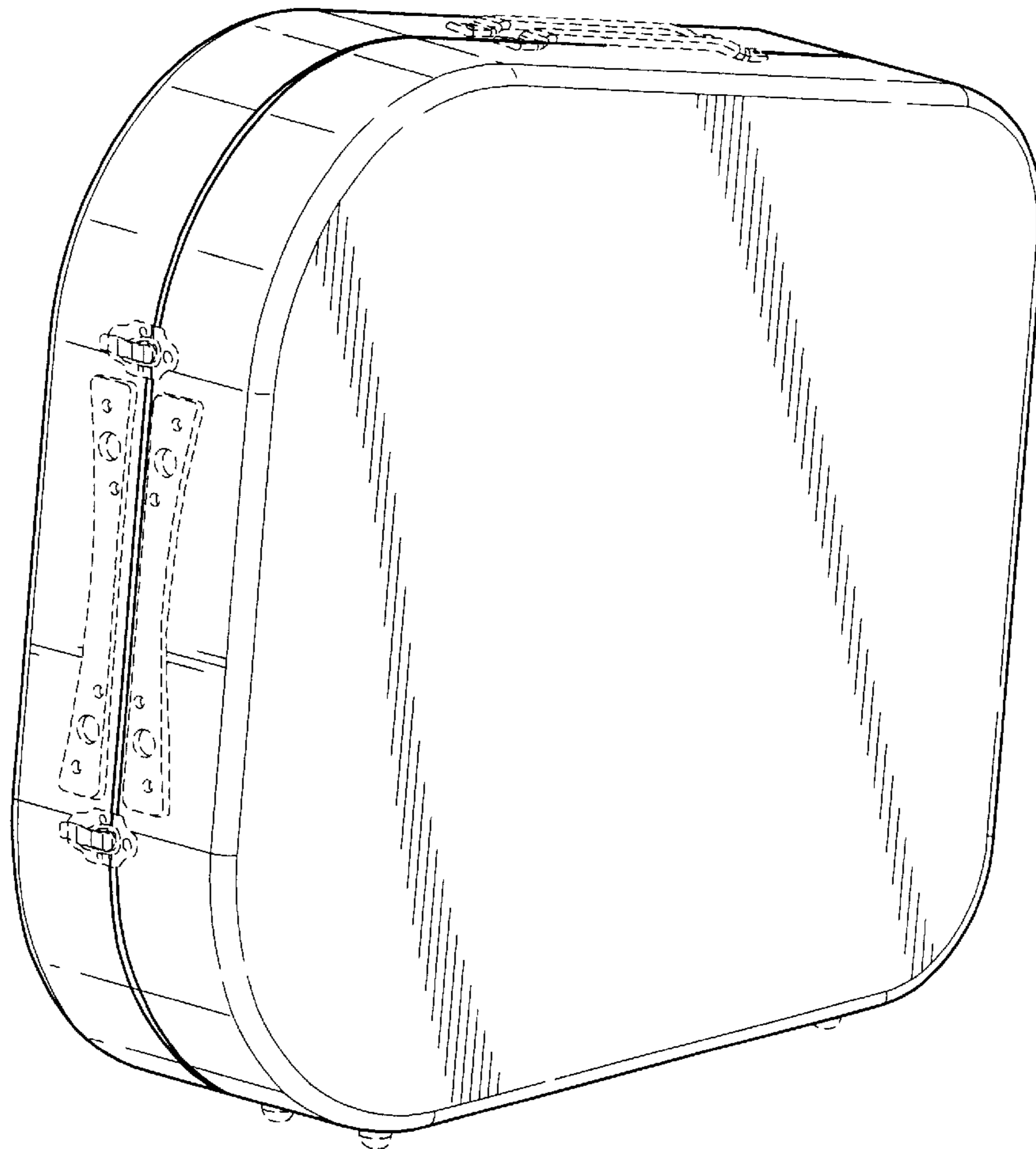
**1 Claim, 11 Drawing Sheets**



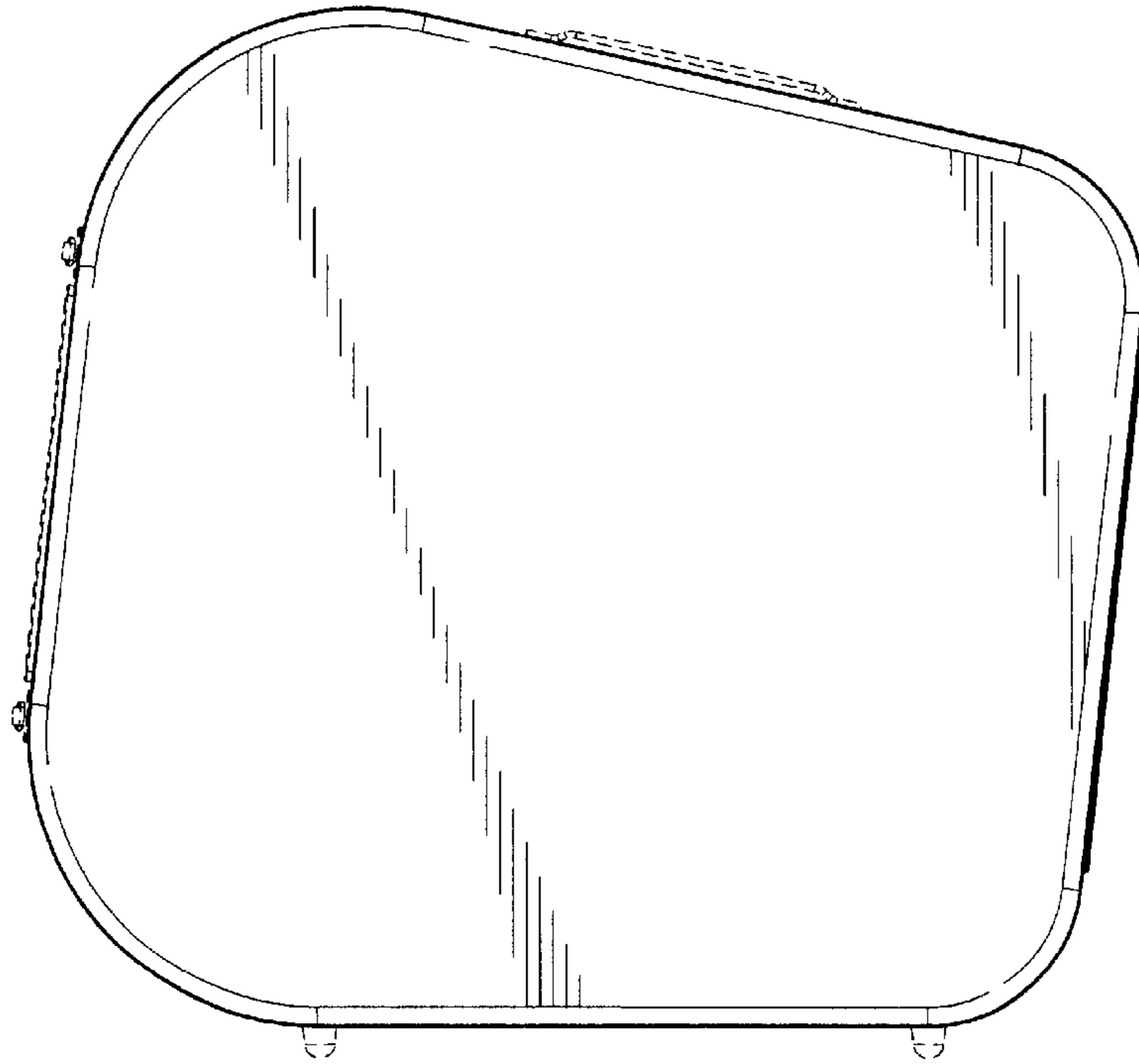
**FIG. 1**



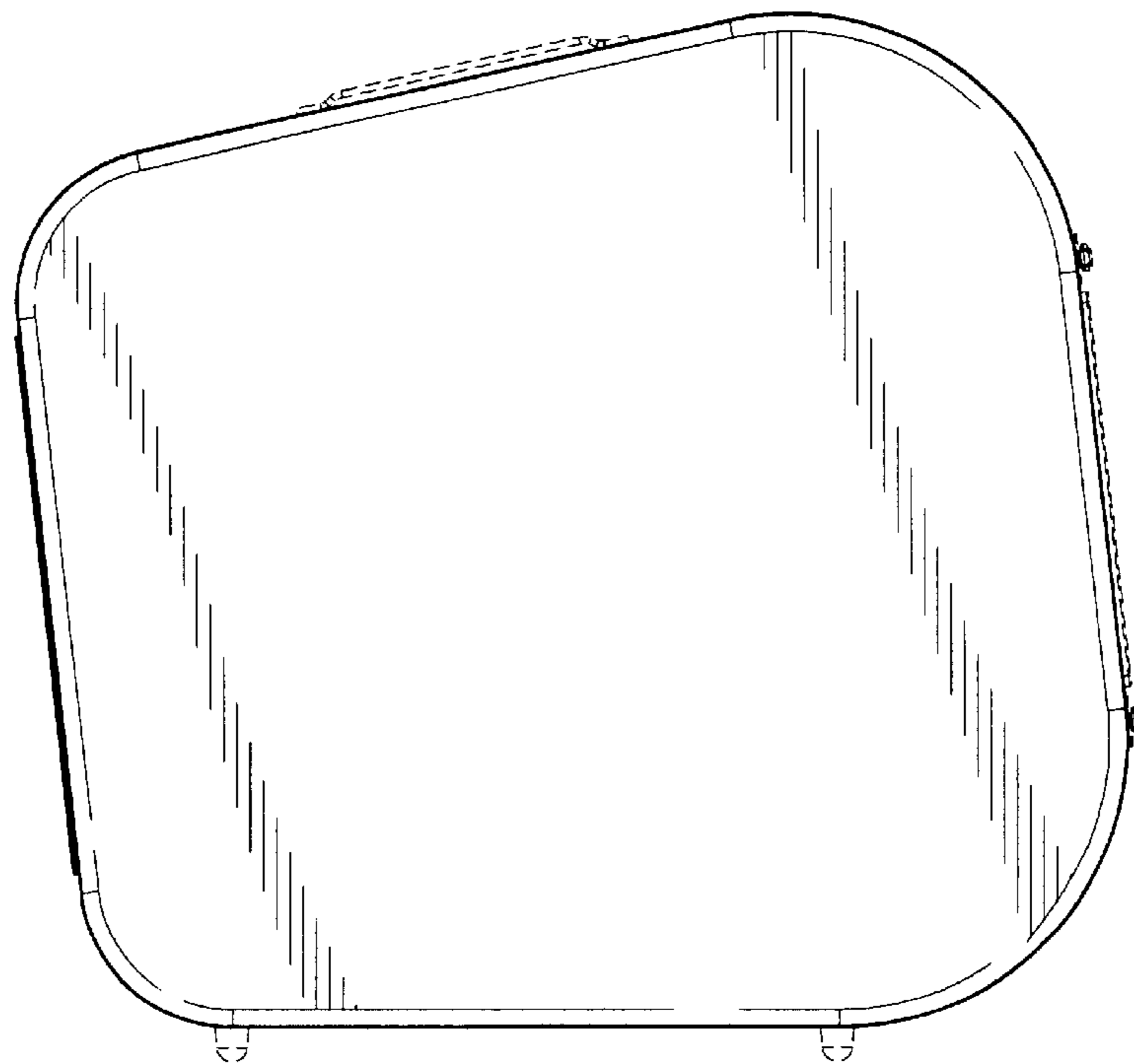
**FIG. 2**



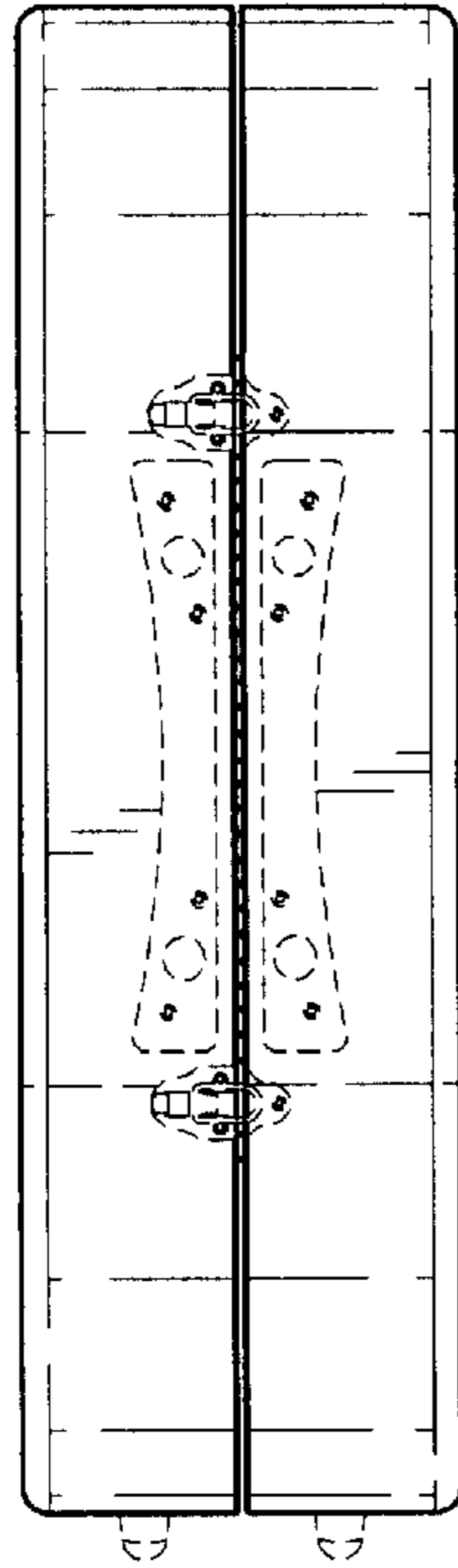
**FIG. 3**



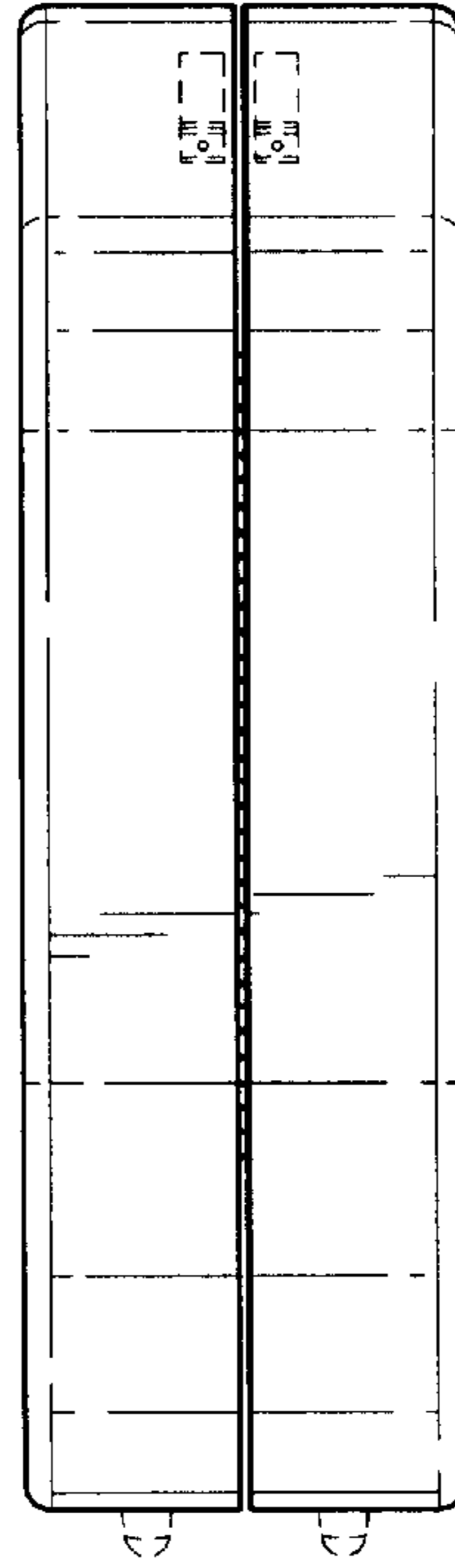
**FIG. 4**



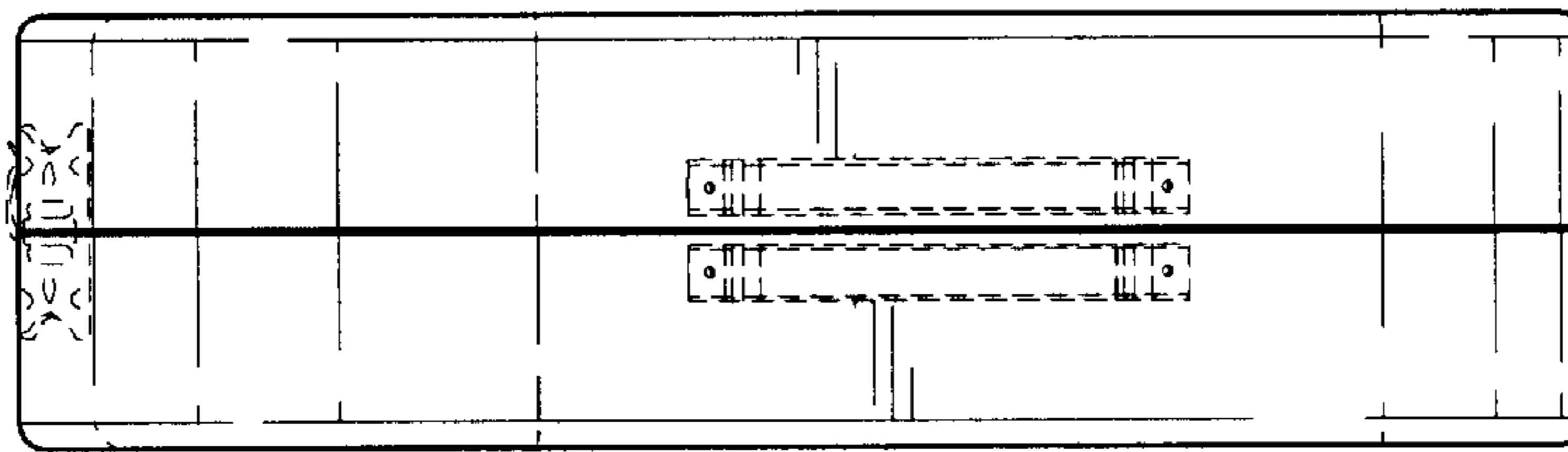
**FIG. 5**



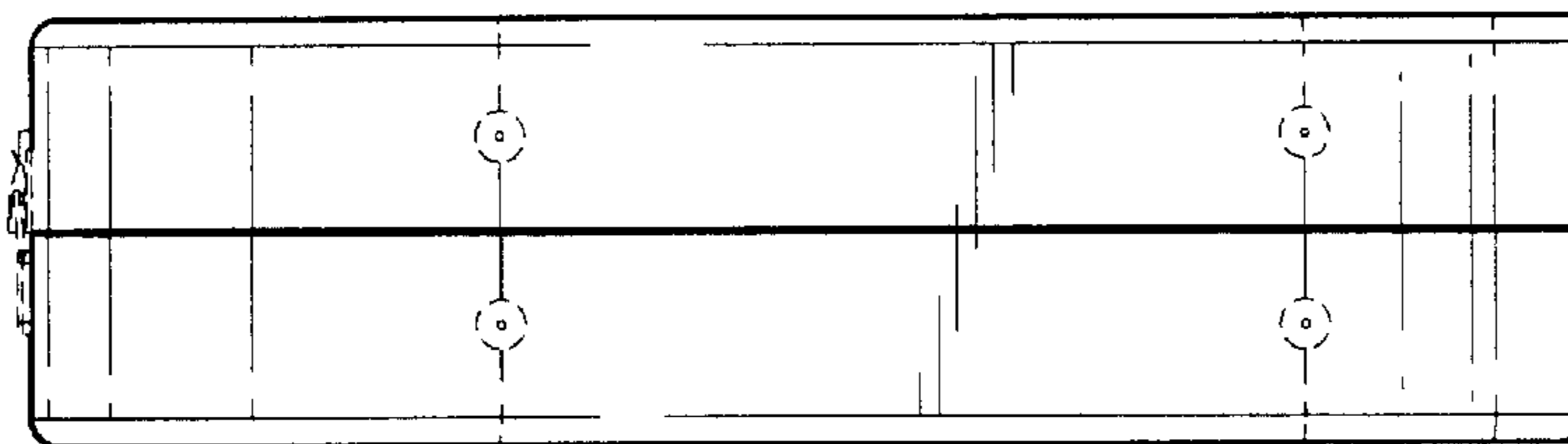
**FIG. 6**



**FIG. 7**



**FIG. 8**



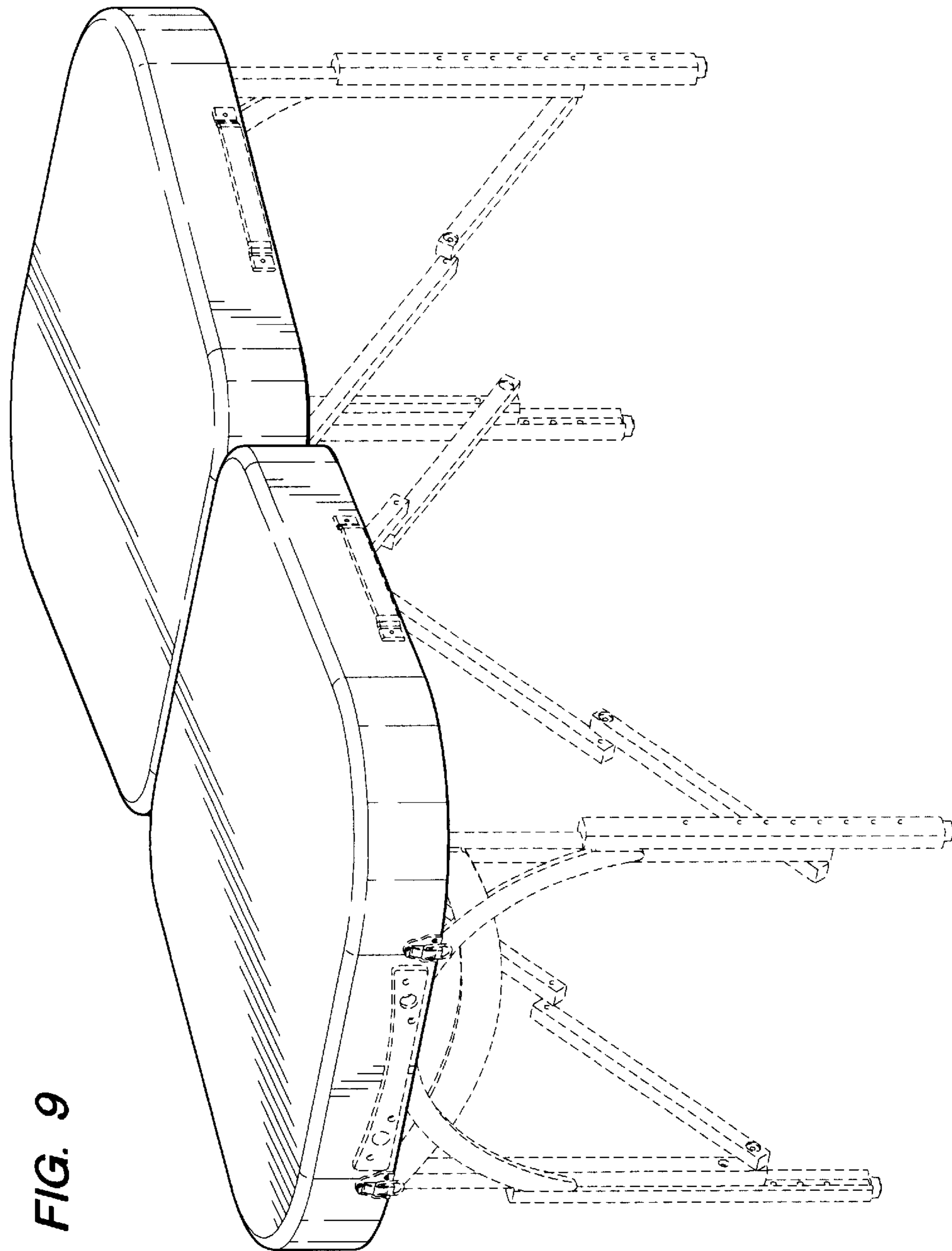


FIG. 9

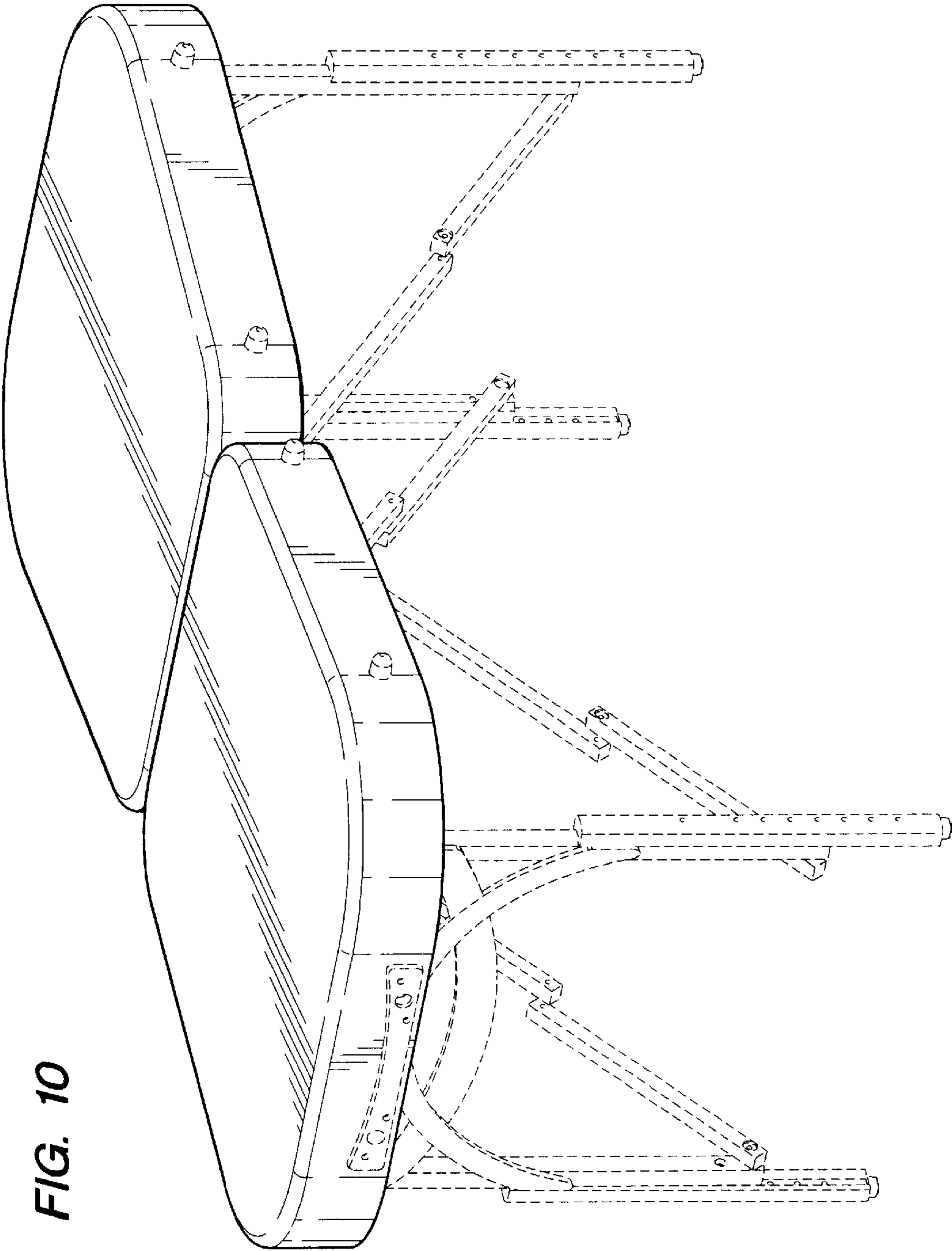
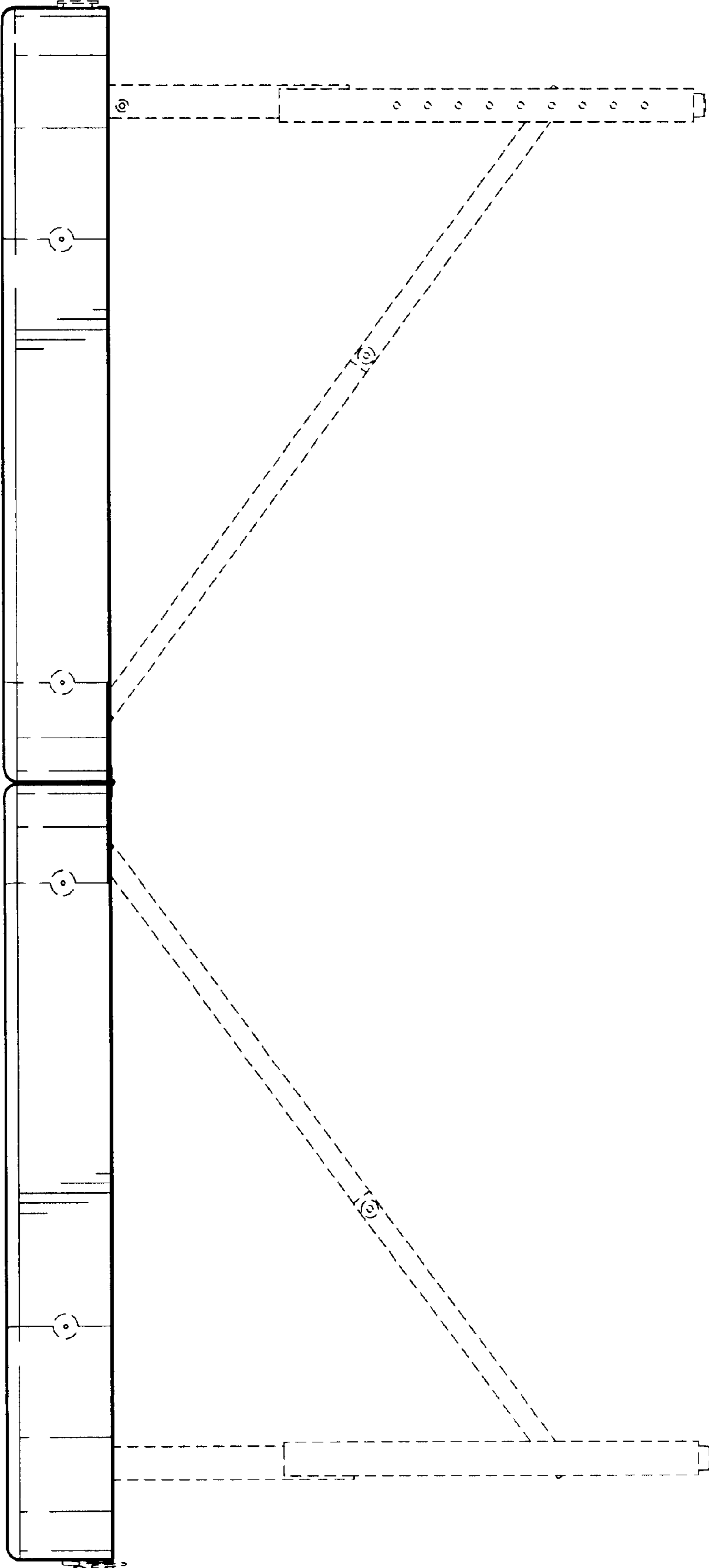


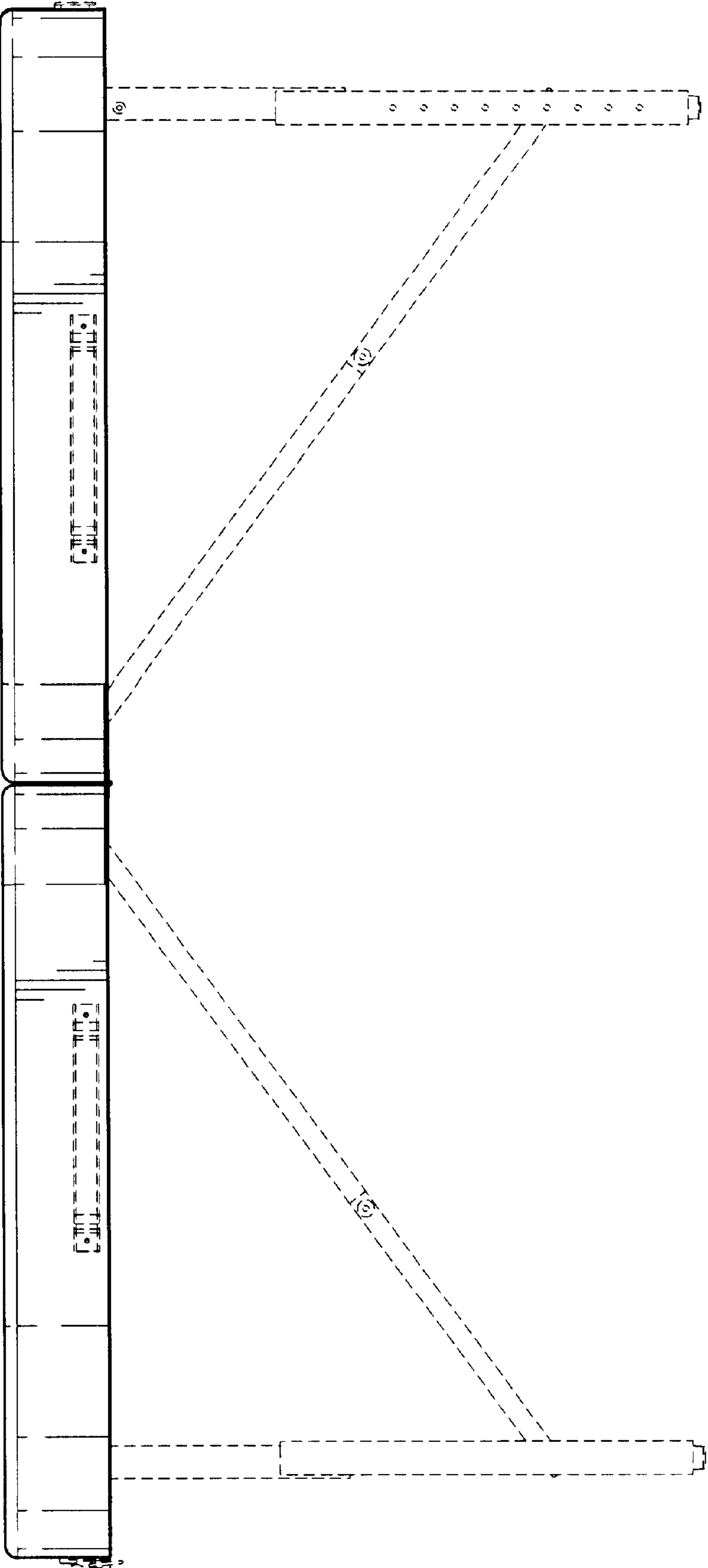
FIG. 10

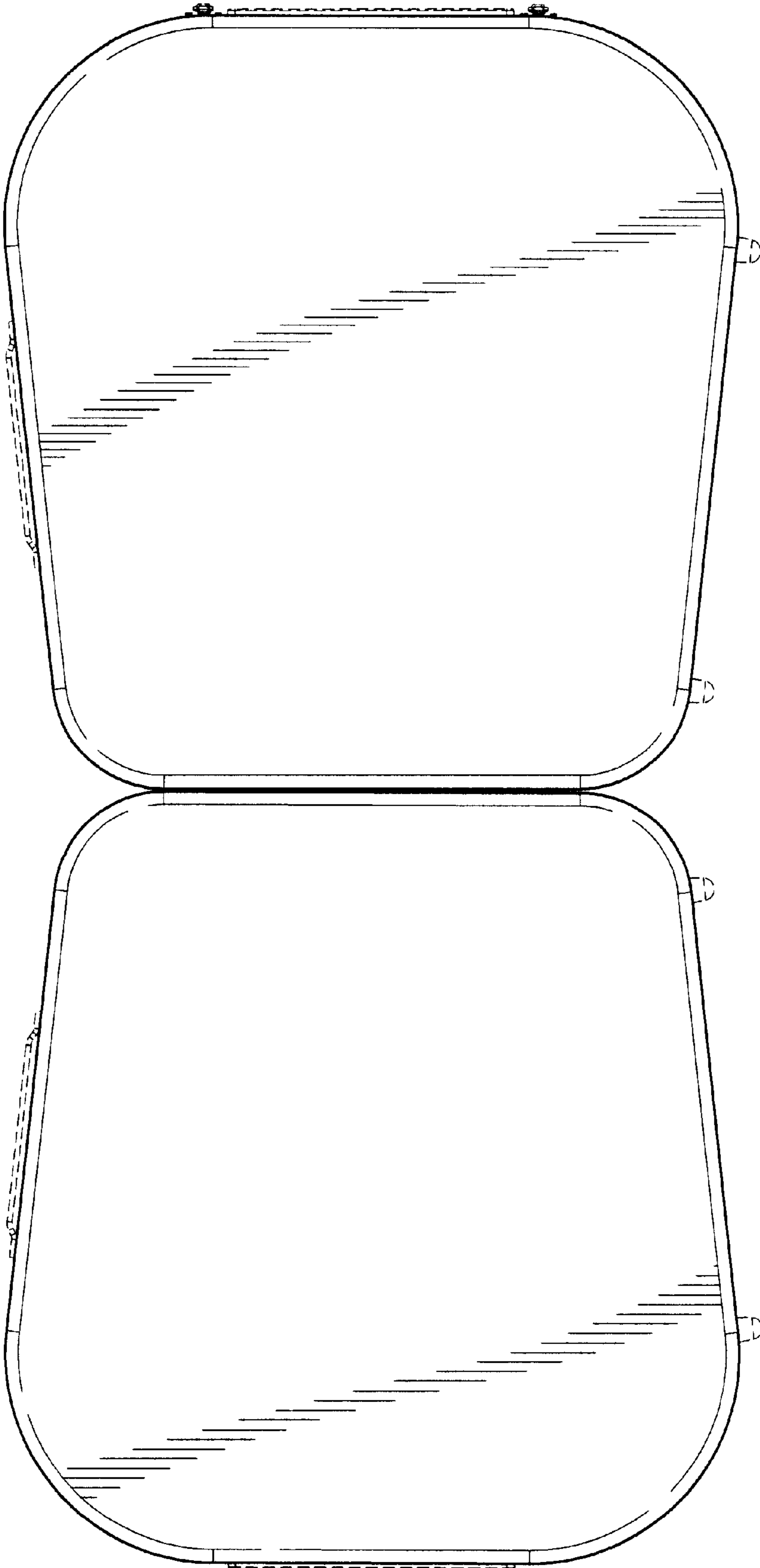


**FIG. 11**



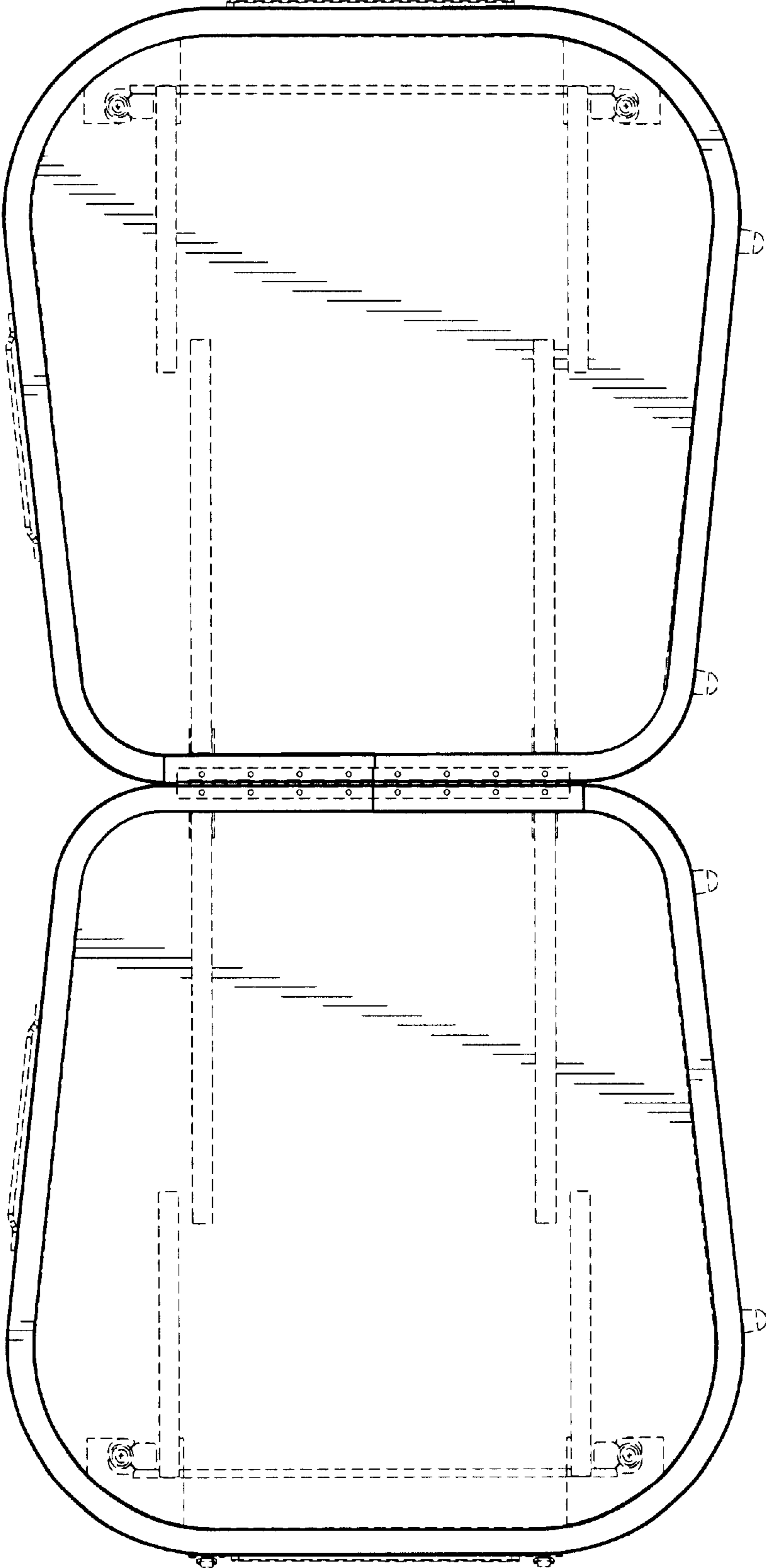
FIG. 12



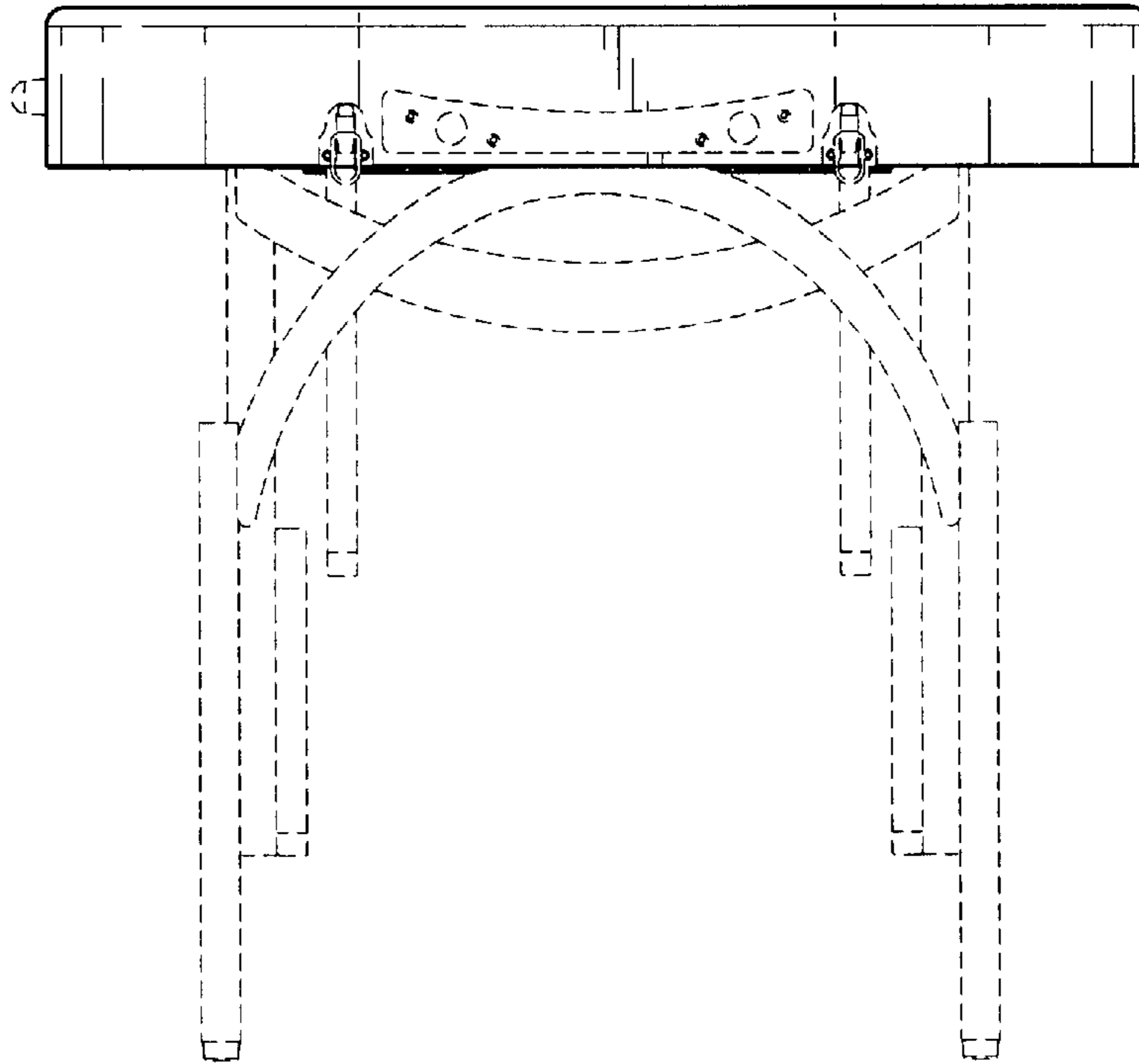


**FIG. 13**

FIG. 14



**FIG. 15**



**FIG. 16**

