



US00D533663S

(12) **United States Design Patent** (10) **Patent No.:** **US D533,663 S**
Nakajima et al. (45) **Date of Patent:** **** Dec. 12, 2006**

(54) **TREATMENT APPARATUS FOR ENDOSCOPE**

(75) Inventors: **Kenzo Nakajima**, Tokyo (JP); **Daisuke Tainaka**, Tokyo (JP); **Yoshitaka Naito**, Tokyo (JP)

(73) Assignee: **Olympus Corporation**, Tokyo (JP)

(**) Term: **14 Years**

(21) Appl. No.: **29/220,872**

(22) Filed: **Jan. 7, 2005**

(30) **Foreign Application Priority Data**

Jul. 15, 2004 (JP) 2004-021379

(51) **LOC (8) Cl.** **24-02**

(52) **U.S. Cl.** **D24/138; D24/133**

(58) **Field of Classification Search** D24/133, D24/138; 600/160, 130, 132, 110, 156, 158, 600/167, 146; 606/46; 607/101

See application file for complete search history.

(56) **References Cited**

U.S. PATENT DOCUMENTS

- D277,505 S * 2/1985 Kubokawa et al. D24/138
- 4,757,819 A * 7/1988 Yokoi et al. 600/156
- 6,582,360 B1 * 6/2003 Torii 600/129
- D498,846 S * 11/2004 Hayamizu et al. D24/138
- 2003/0163025 A1 * 8/2003 Kaji 600/132

* cited by examiner

Primary Examiner—Antoine D. Davis

Assistant Examiner—Christopher Lee

(74) *Attorney, Agent, or Firm*—Scully, Scott, Murphy & Presser, P.C.

(57) **CLAIM**

The ornamental design for a treatment apparatus for endoscope, as shown and described.

DESCRIPTION

FIG. 1 is a front elevation view of a treatment apparatus for endoscope. The parallel vertical chain lines shown in the drawing show the part omitted since this article is a long object.

FIG. 2 is a rear elevation view thereof. The parallel vertical chain lines shown in the drawing show the part omitted since this article is a long object.

FIG. 3 is a top plan view thereof. The parallel vertical chain lines shown in the drawing show the part omitted since this article is a long object.

FIG. 4 is a bottom plan view thereof. The parallel vertical chain lines shown in the drawing show the part omitted since this article is a long object.

FIG. 5 is a left side elevation view thereof.

FIG. 6 is a right side elevation view thereof.

FIG. 7 is an enlarged front view thereof.

FIG. 8 is an enlarged rear view thereof.

FIG. 9 is an enlarged top plan view thereof.

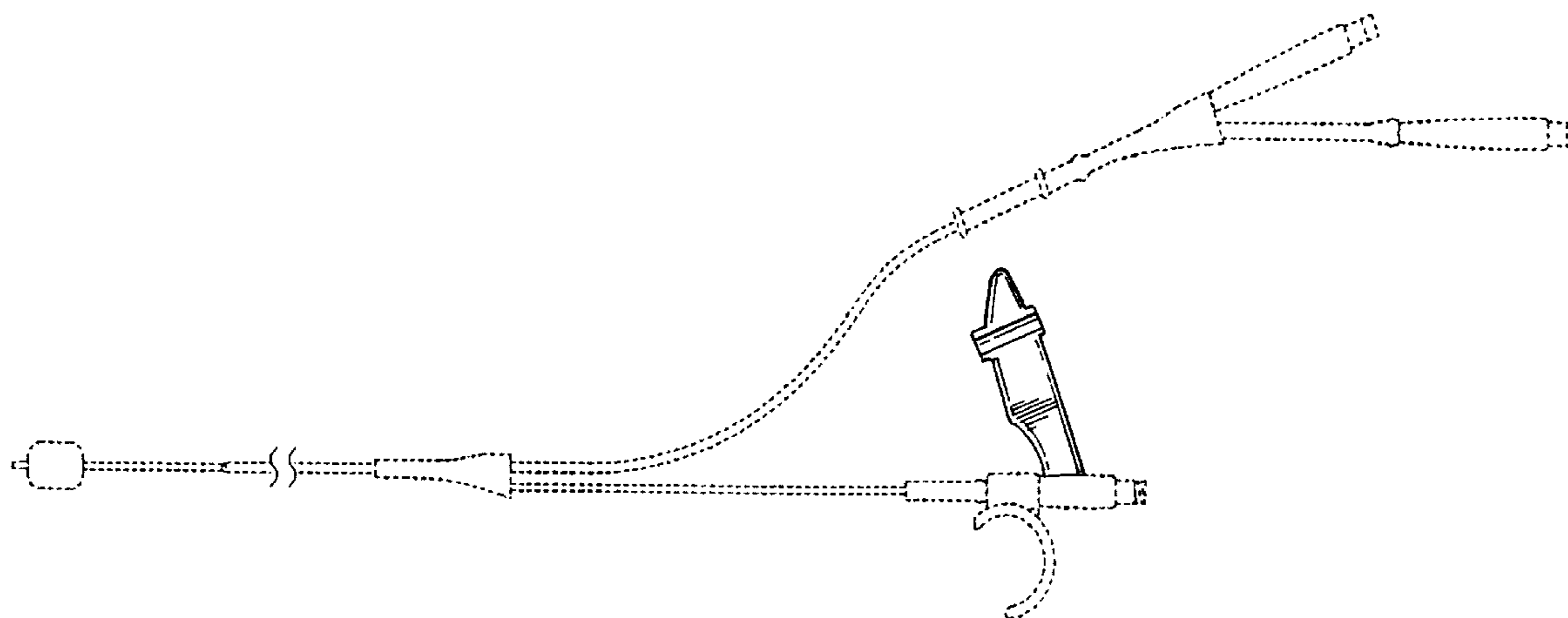
FIG. 10 is an enlarged left side view thereof.

FIG. 11 is an enlarged right side view thereof; and,

FIG. 12 is a referential view showing use thereof.

The portion of the article shown in broken lines is for illustrative purposes only and forms no part of the claimed design.

1 Claim, 6 Drawing Sheets



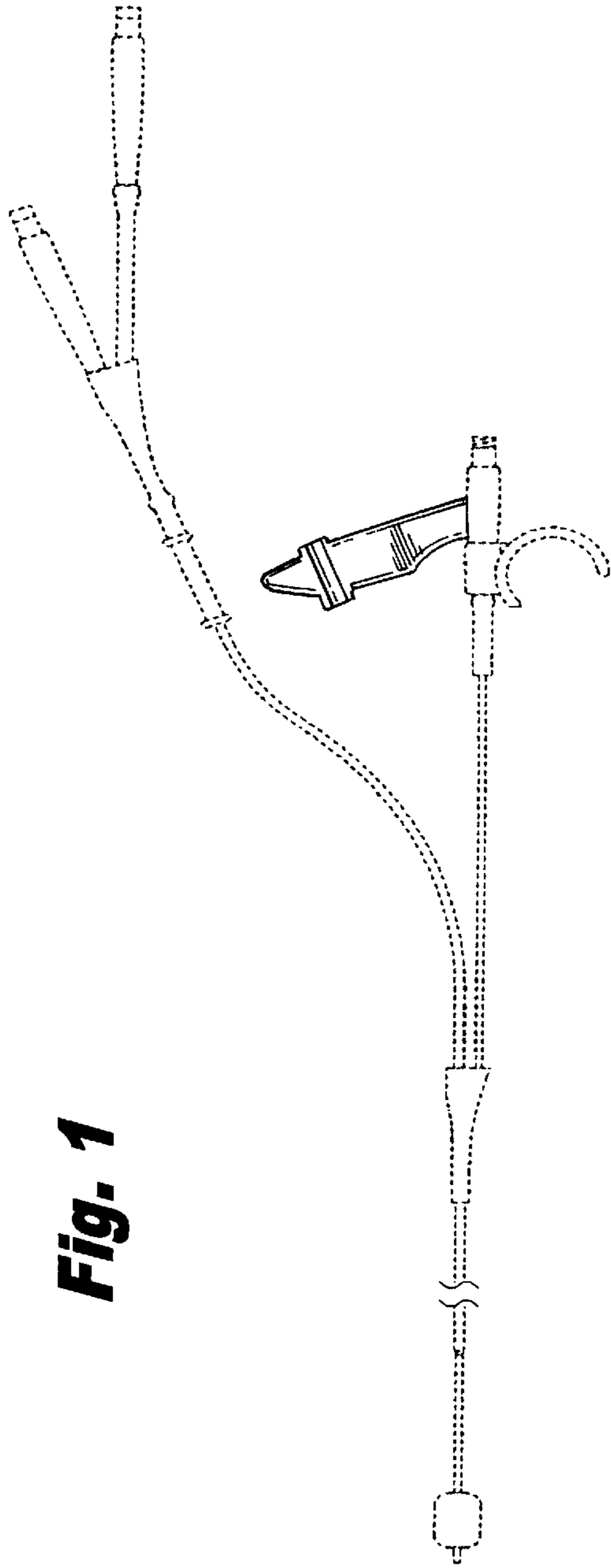


Fig. 1

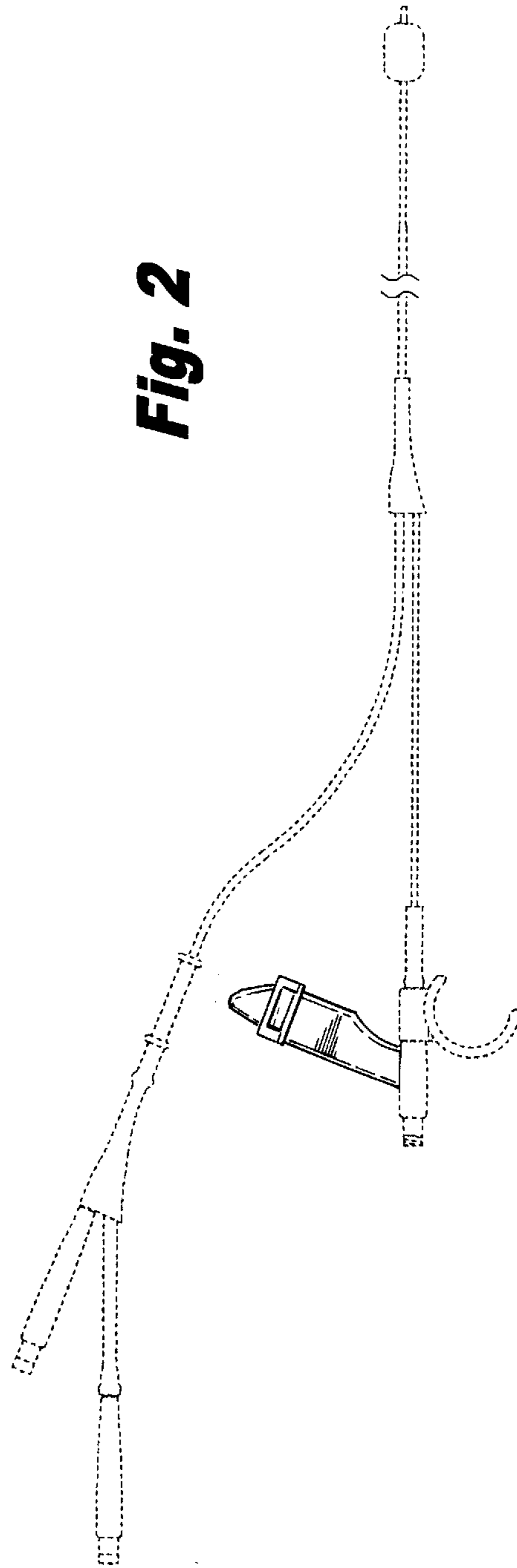


Fig. 2

Fig. 3

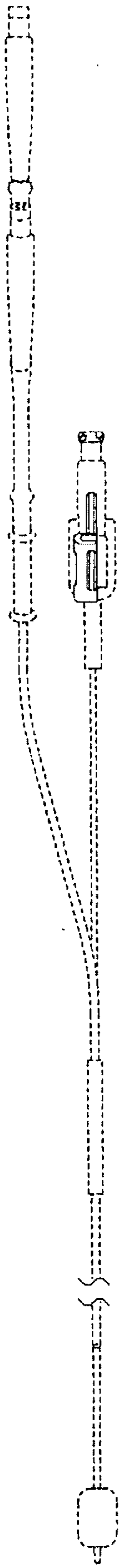
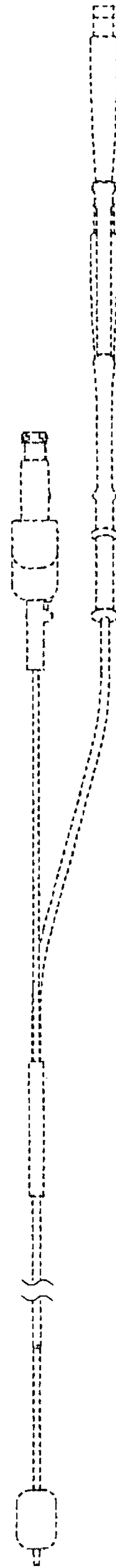


Fig. 4



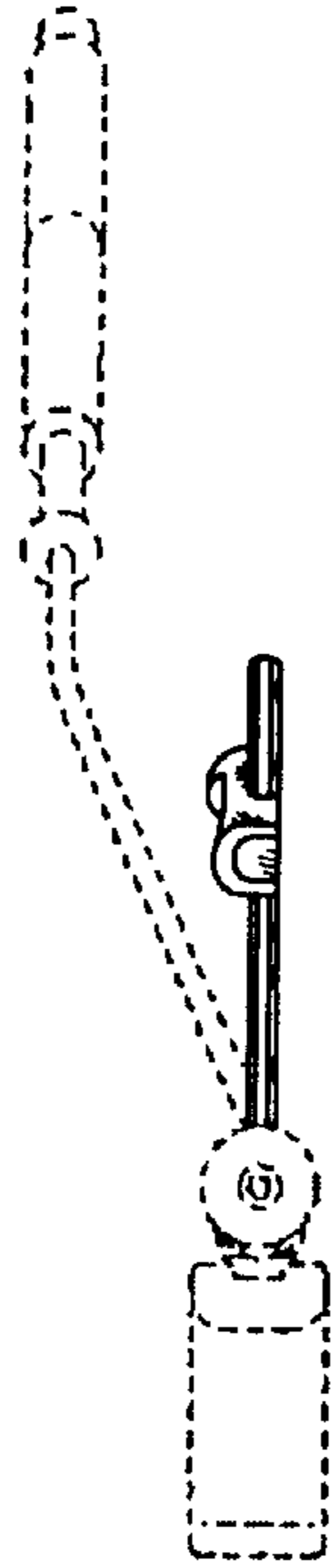


Fig. 5

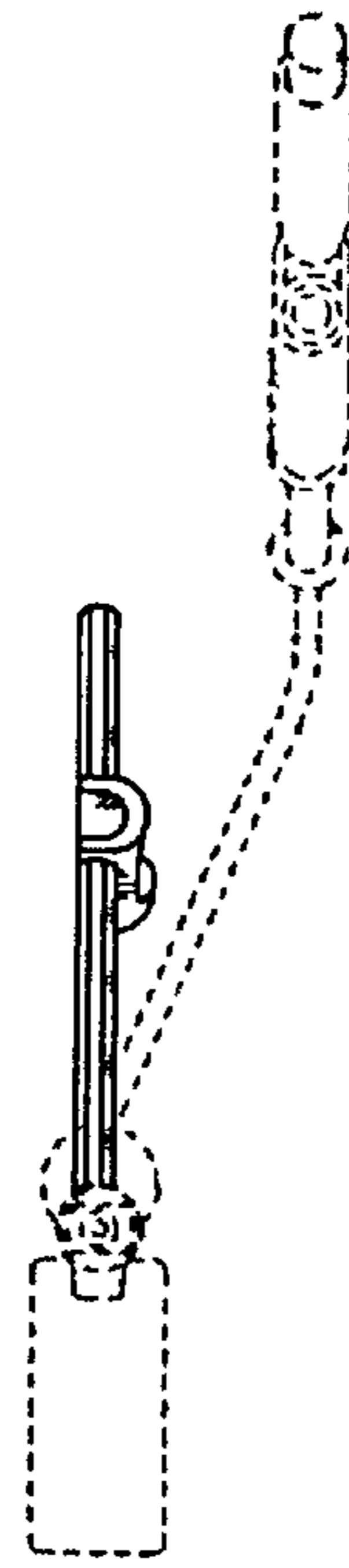


Fig. 6

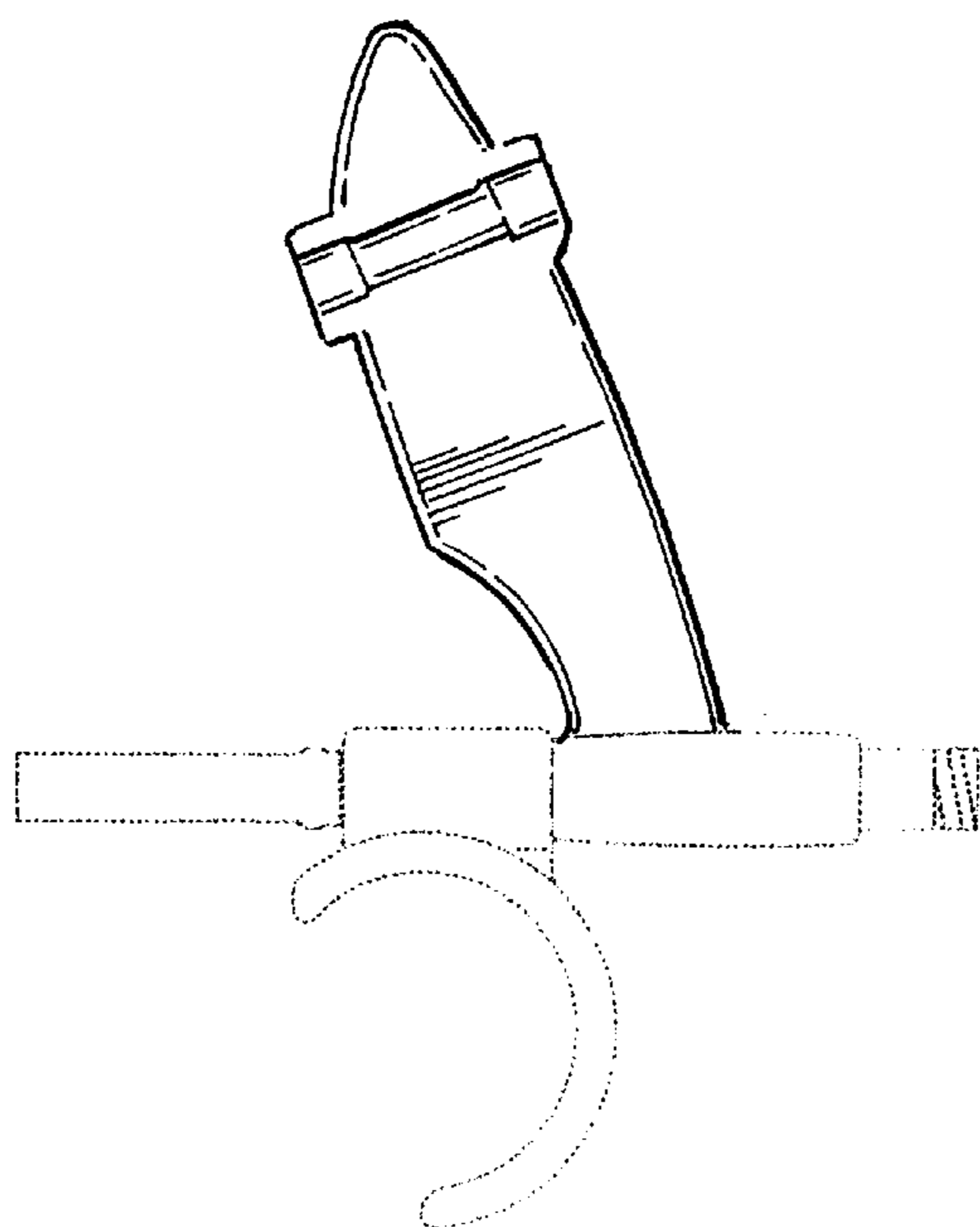


Fig. 7

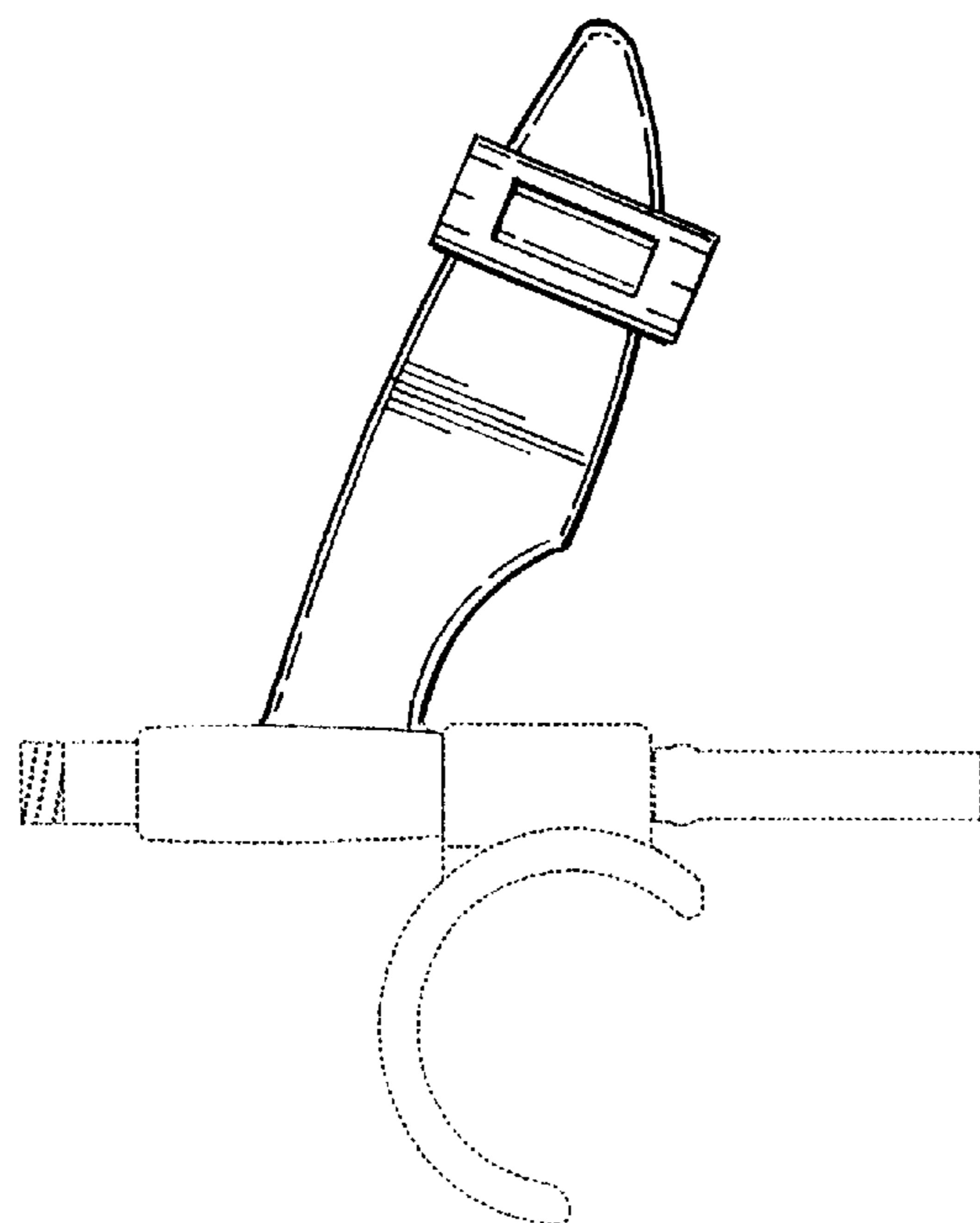


Fig. 8

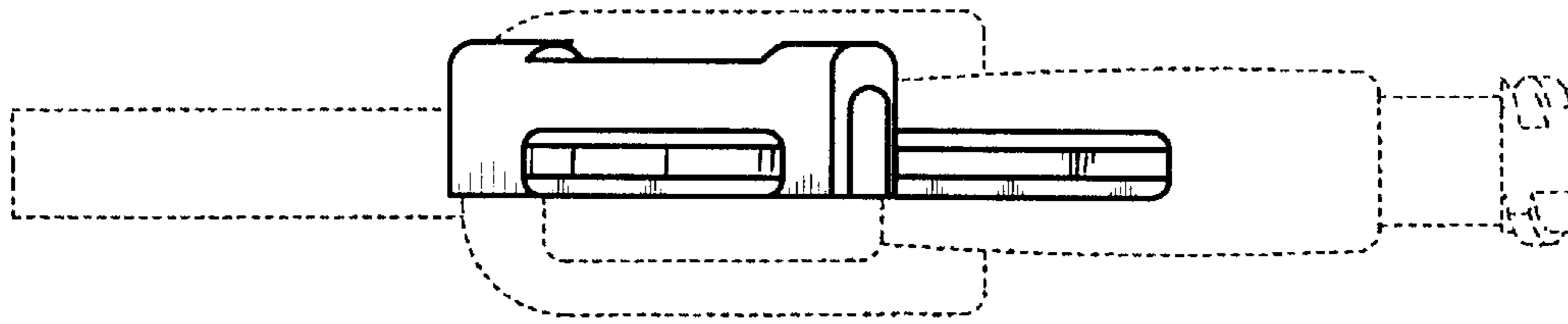


Fig. 9

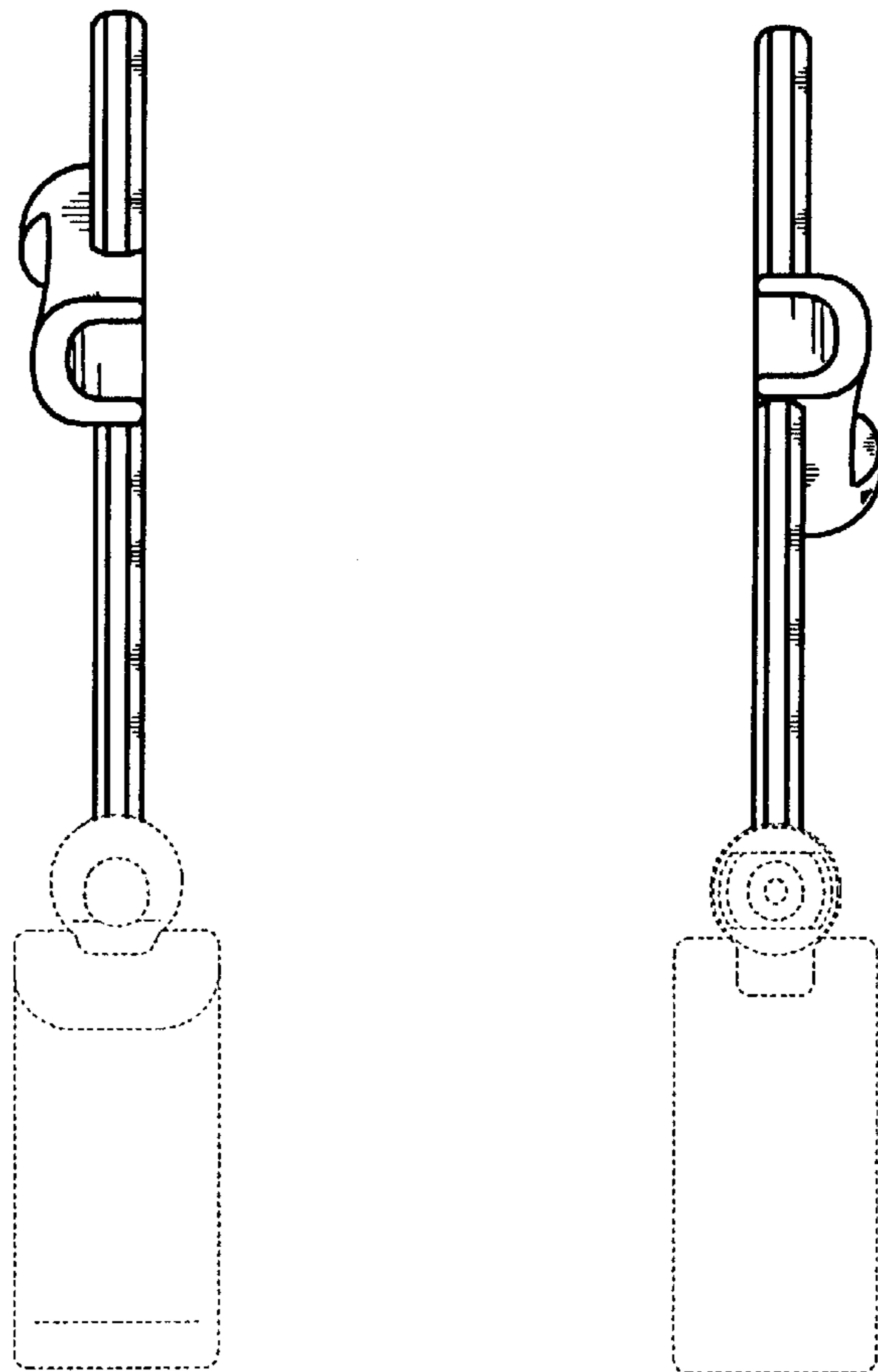


Fig. 10

Fig. 11

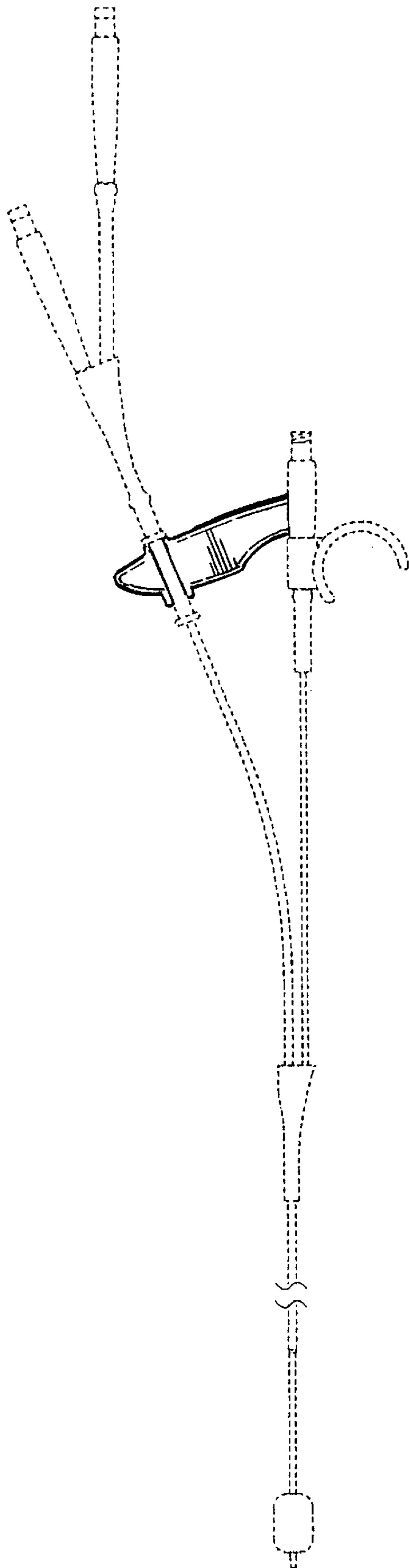


Fig. 12