



US00D533659S

(12) **United States Design Patent**
Conrad et al.

(10) **Patent No.:** **US D533,659 S**

(45) **Date of Patent:** **** Dec. 12, 2006**

(54) **OSTOMY BAG**

(76) Inventors: **Wayne Ernest Conrad**, 9 King Lane,
Hampton, Ontario (CA), L0B 1J0; **Nina**
Kanevsky Conrad, 9 King Lane,
Hampton, Ontario (CA), L0B 1J0

(**) Term: **14 Years**

(21) Appl. No.: **29/217,360**

(22) Filed: **Nov. 17, 2004**

(51) **LOC (8) Cl.** **24-02**

(52) **U.S. Cl.** **D24/118**

(58) **Field of Classification Search** D24/118,
D24/121-122, 108; 604/332, 337-339

See application file for complete search history.

(56) **References Cited**

U.S. PATENT DOCUMENTS

D323,029 S	*	1/1992	Doss	D24/121
D379,654 S	*	6/1997	Holtermann	D24/118
D384,742 S	*	10/1997	Niedospial, Jr.	D24/118
D385,035 S	*	10/1997	Niedospial et al.	D24/118
D398,990 S	*	9/1998	Briggs et al.	D24/118
D398,991 S	*	9/1998	Briggs et al.	D24/118
D399,307 S	*	10/1998	Leigh	D24/118

D400,251 S	*	10/1998	Ropiak et al.	D24/118
D400,252 S	*	10/1998	Ropiak et al.	D24/118
5,865,819 A	*	2/1999	Cisco et al.	604/339
5,938,647 A	*	8/1999	Smith	604/332
D426,634 S	*	6/2000	Genshock	D24/128

* cited by examiner

Primary Examiner—Louis S. Zarfes

Assistant Examiner—Daniel Yu

(74) *Attorney, Agent, or Firm*—David W. R. Langton;
Bereskin & Parr

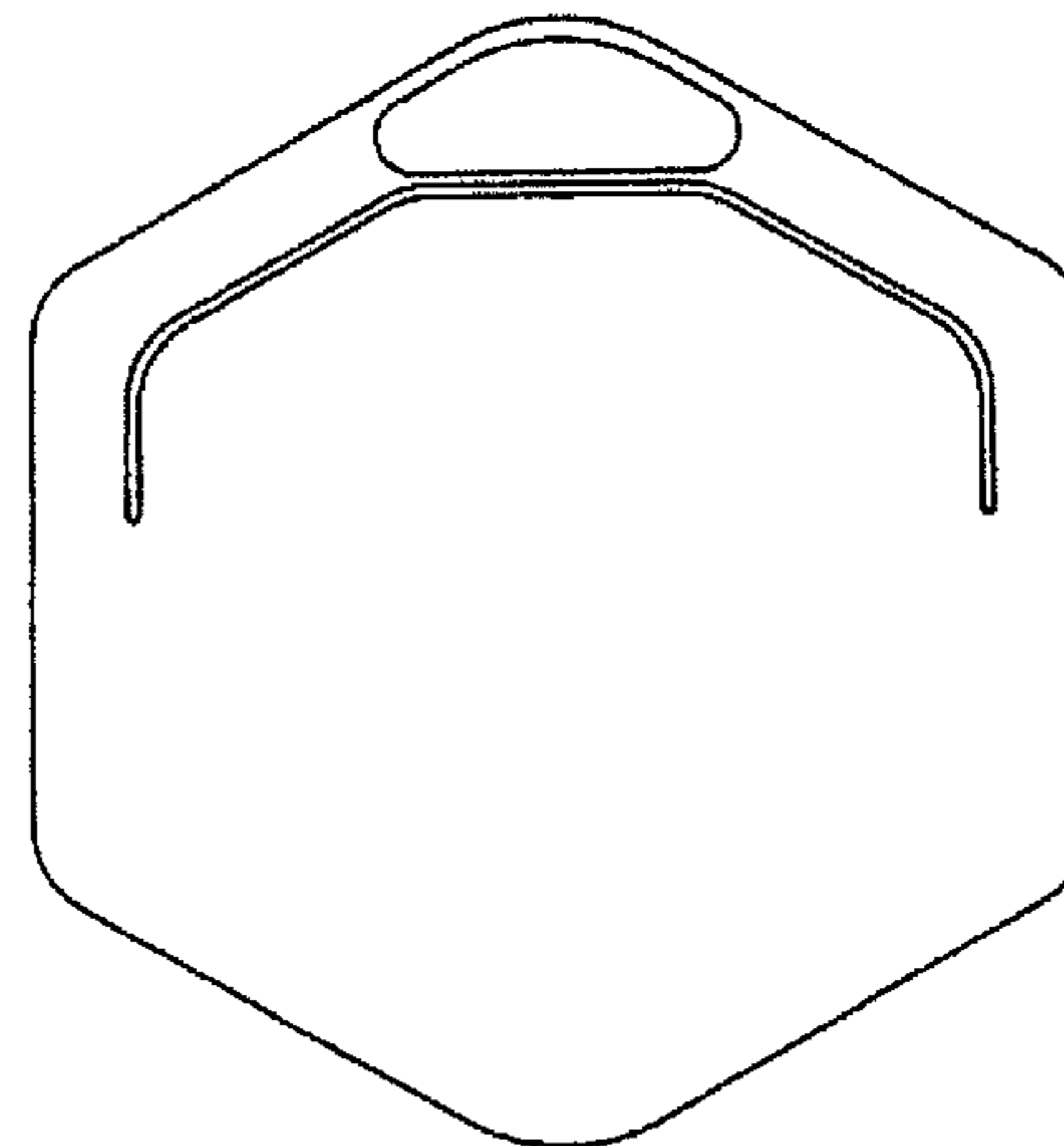
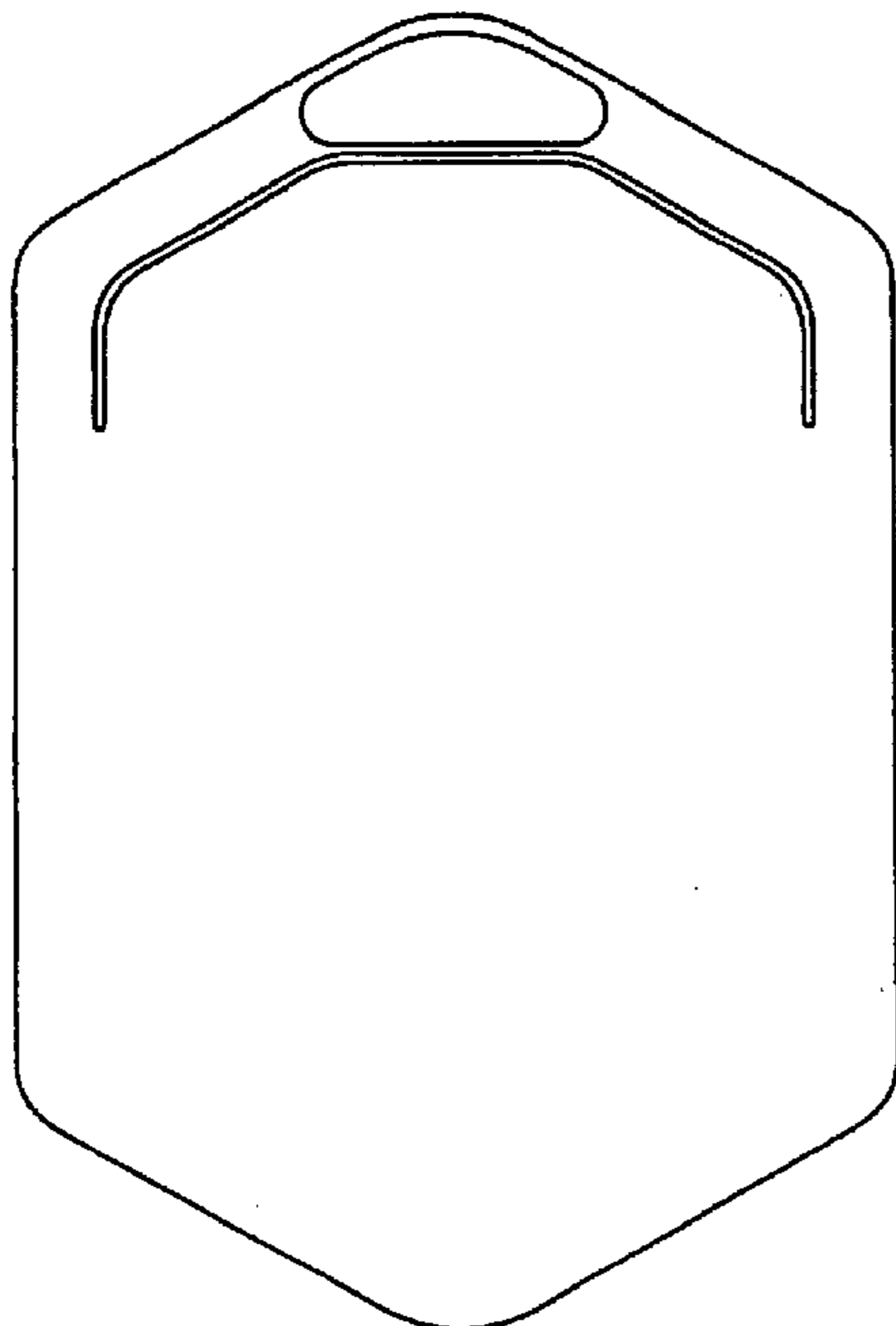
(57) **CLAIM**

The ornamental design for an ostomy bag, as described and shown.

DESCRIPTION

FIG. 1 is a front elevation view an ostomy bag;
FIG. 2 is perspective view from the front and the bottom of the ostomy bag of FIG. 1;
FIG. 3 is a rear elevation view of the ostomy bag of FIG. 1;
FIG. 4 is a front elevation of a first alternate embodiment of the ostomy bag of FIG. 1;
FIG. 5 is perspective view from the front and the bottom of the ostomy bag of FIG. 4; and,
FIG. 6 is a rear elevation view of the ostomy bag of FIG. 4.

1 Claim, 6 Drawing Sheets



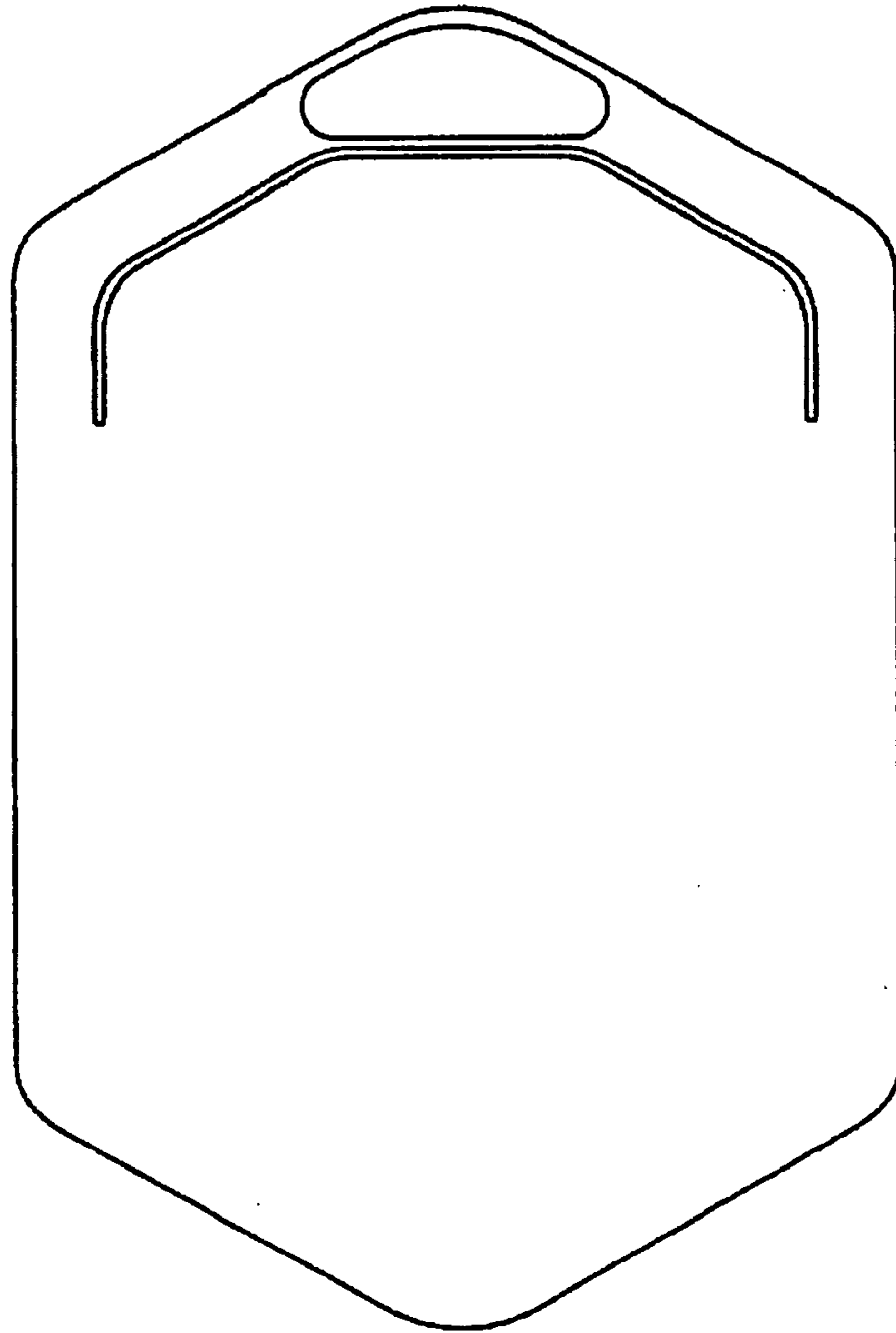


FIG. 1

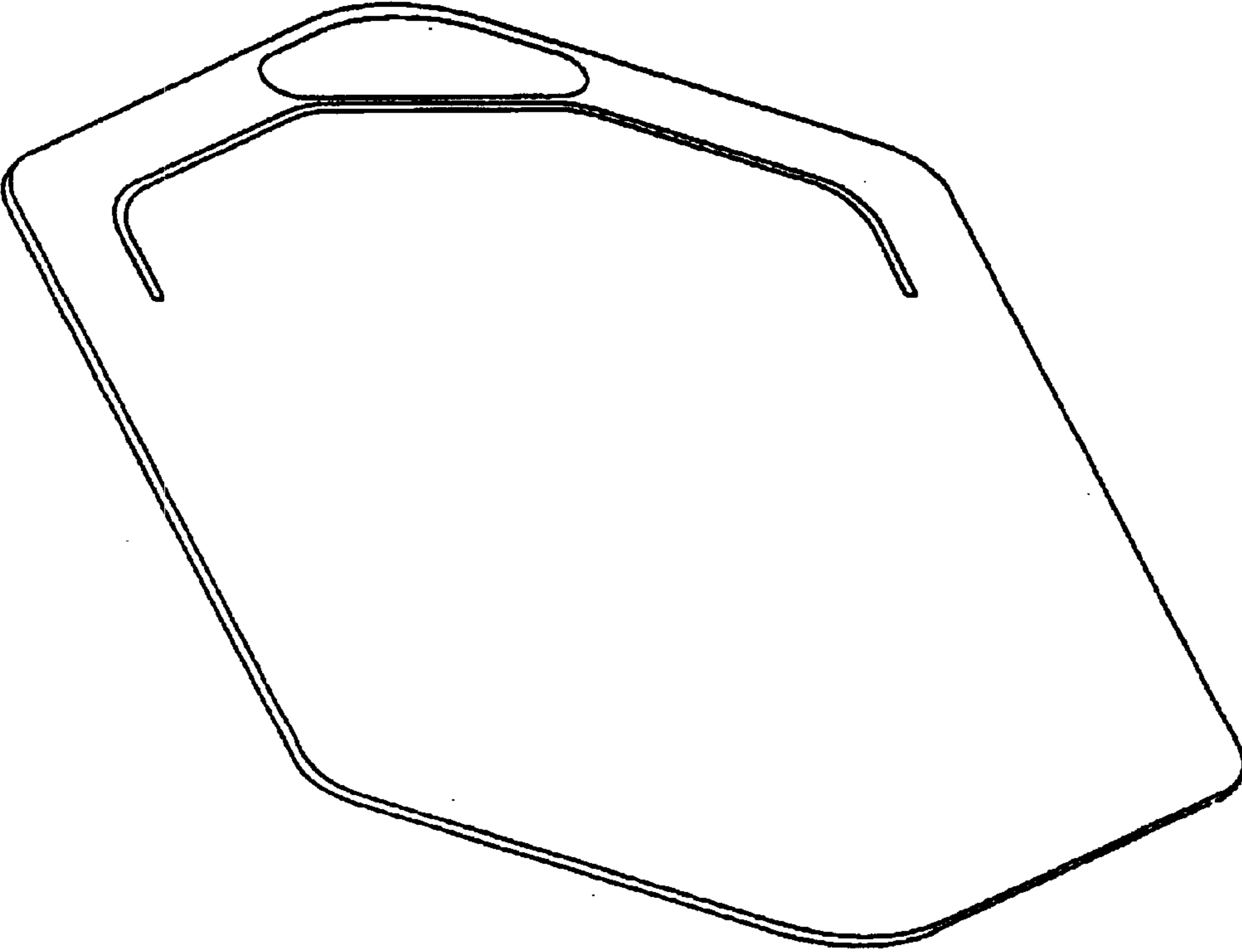


FIG. 2

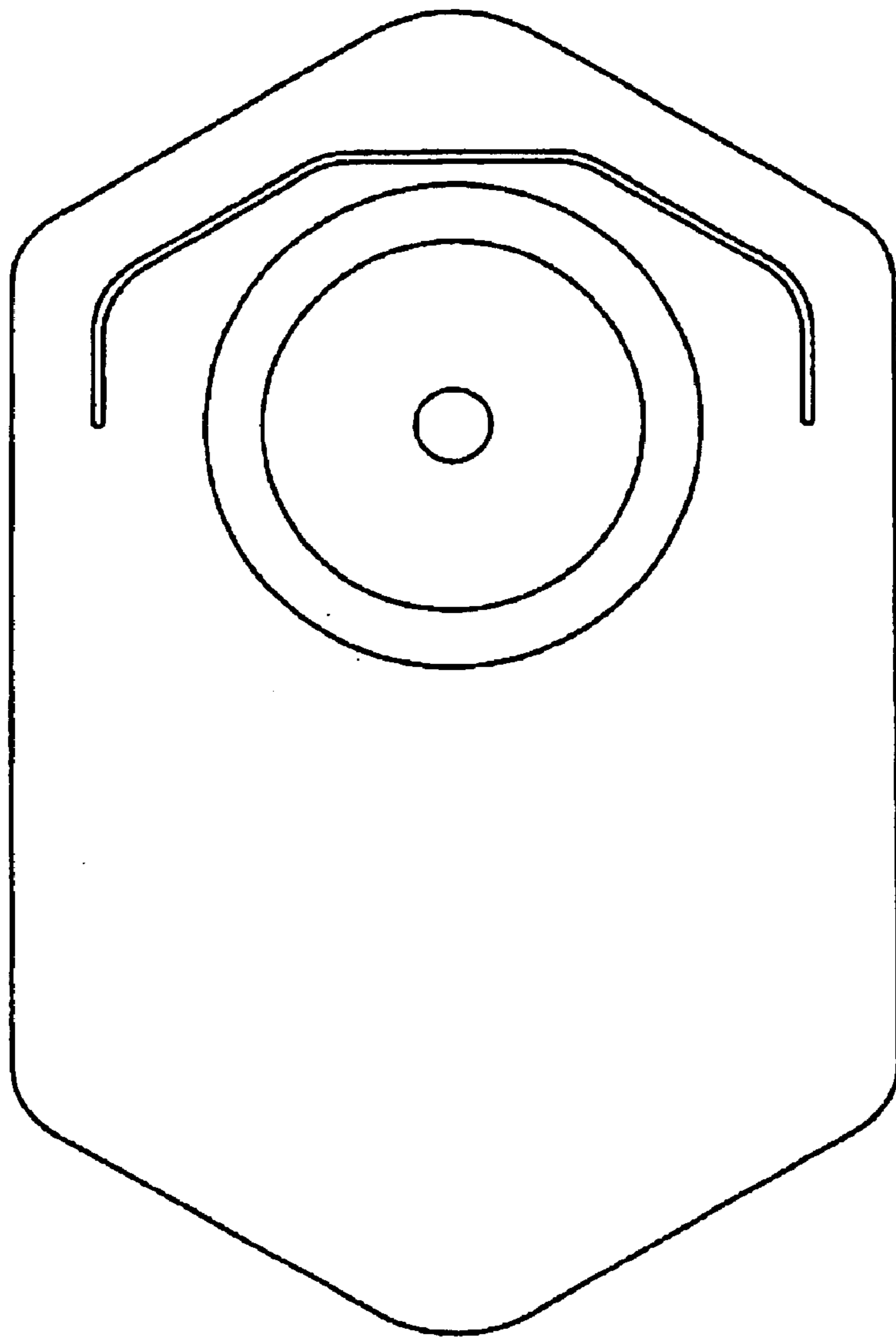


FIG. 3

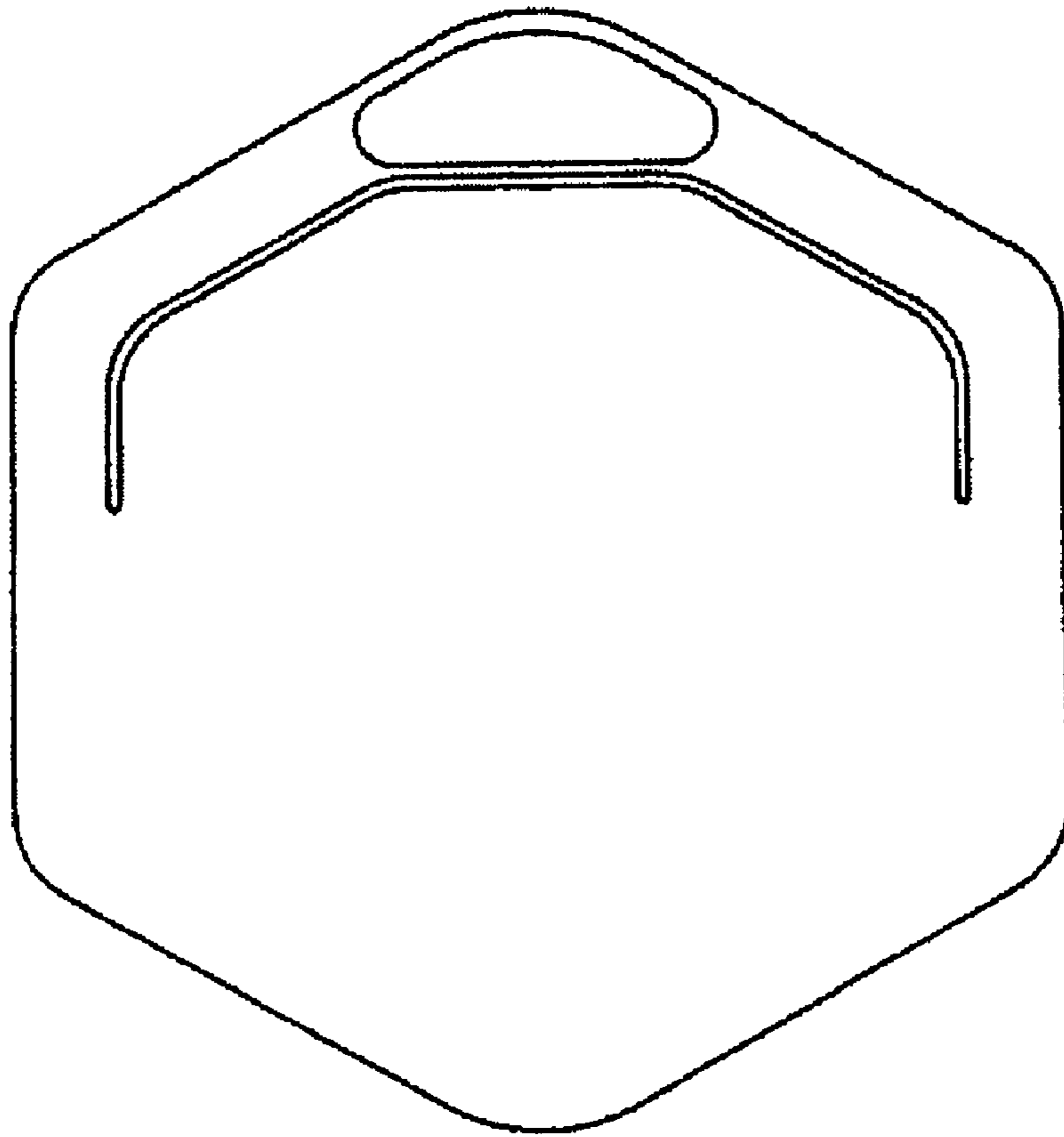


FIG 4

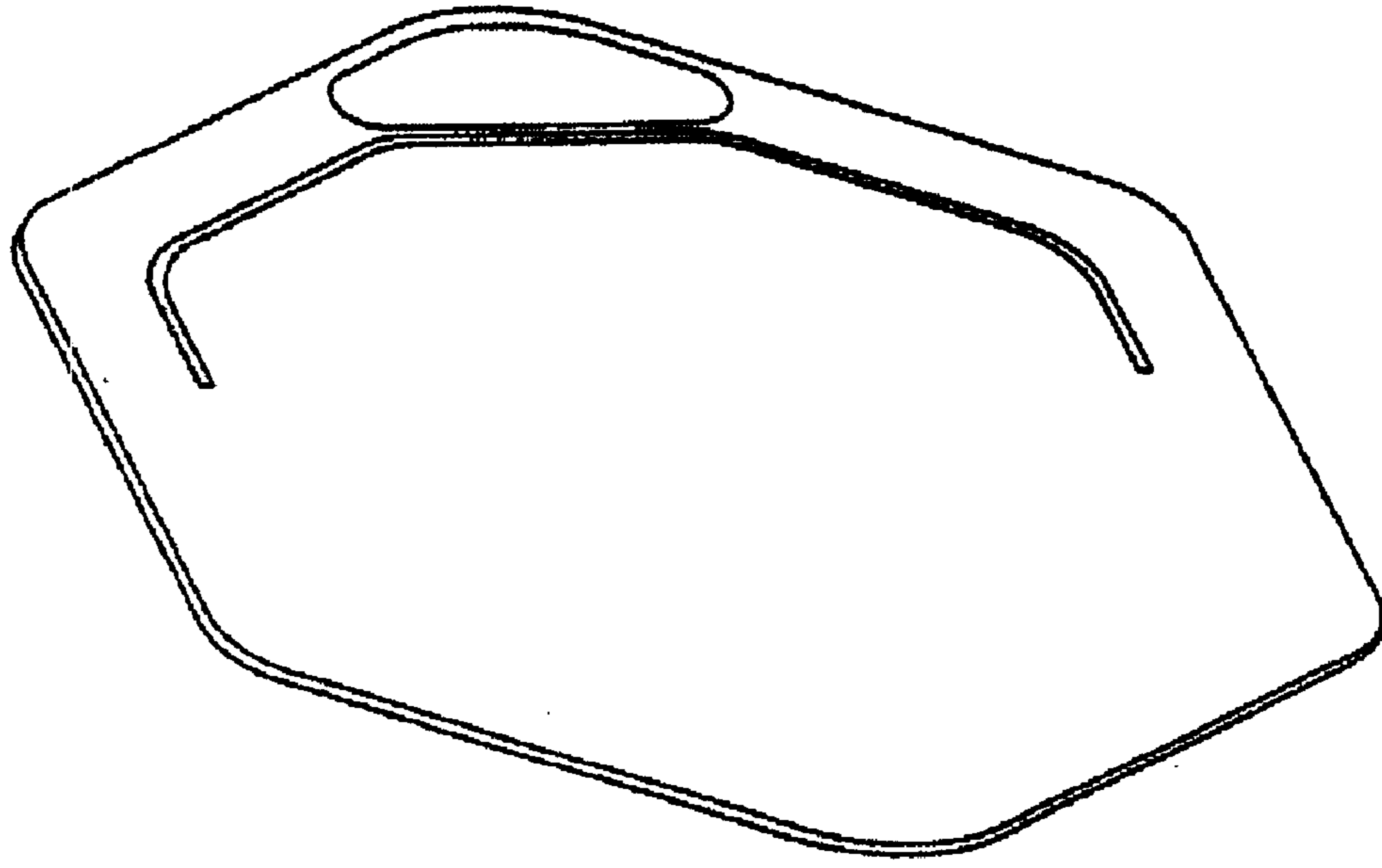


FIG 5

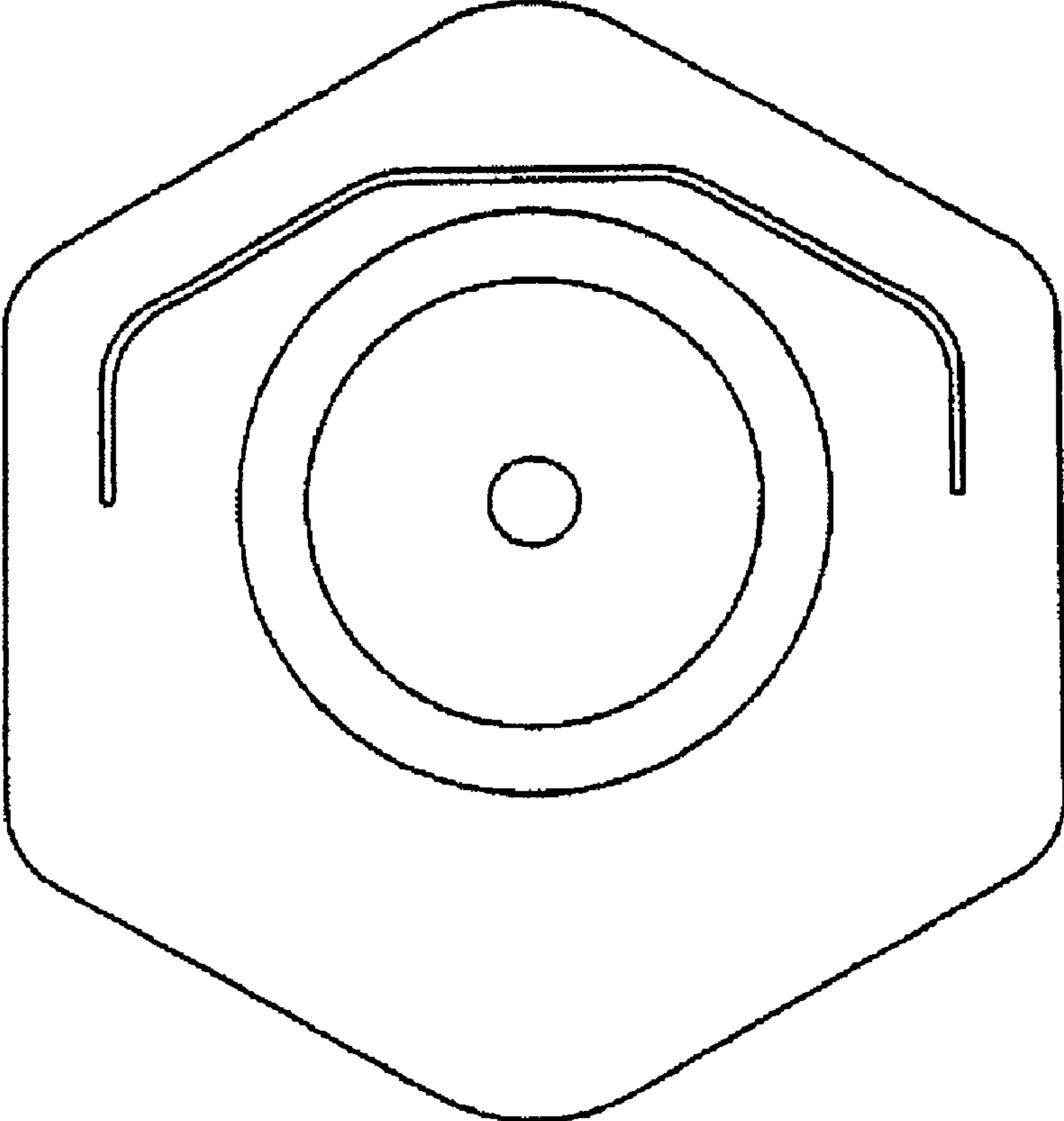


FIG 6