



US00D533656S

(12) **United States Design Patent**
Taylor

(10) **Patent No.:** **US D533,656 S**

(45) **Date of Patent:** **** Dec. 12, 2006**

(54) **HEADSET OXYGEN DELIVERY SYSTEM**

(76) **Inventor:** **Patsy L. Taylor**, 135 D W. Nance
Springs Rd., NW., Resaca, GA (US)
30735

(**) **Term:** **14 Years**

(21) **Appl. No.:** **29/217,509**

(22) **Filed:** **Nov. 19, 2004**

(51) **LOC (8) Cl.** **29-02**

(52) **U.S. Cl.** **D24/110; D24/110.1; D24/110.4;**
D24/110.5; D14/206

(58) **Field of Classification Search** **D24/110,**
D24/110.1, 110.4, 110.5; D14/206; 128/206.27,
128/201.22, 207.11, 200.28, 200.24, 206.28,
128/204.13; 381/330, 376, 381
See application file for complete search history.

(56) **References Cited**

U.S. PATENT DOCUMENTS

4,836,200	A	6/1989	Clark	
5,438,979	A	8/1995	Johnson, Jr. et al.	
6,065,473	A	5/2000	McCombs et al.	
6,247,470	B1	* 6/2001	Ketchedjian 128/200.28
D449,376	S	* 10/2001	McDonald et al. D24/110

D449,883	S	10/2001	McDonald et al.	
D451,598	S	12/2001	McDonald et al.	
6,450,166	B1	9/2002	McDonald et al.	
6,536,436	B1	3/2003	McGlothen	
6,595,207	B1	* 7/2003	McDonald et al. 128/200.28
D515,697	S	* 2/2006	Nakamura et al. D24/110
2001/0042547	A1	* 11/2001	McDonald et al. 128/207.11

* cited by examiner

Primary Examiner—Antoine D. Davis
Assistant Examiner—Christopher Lee

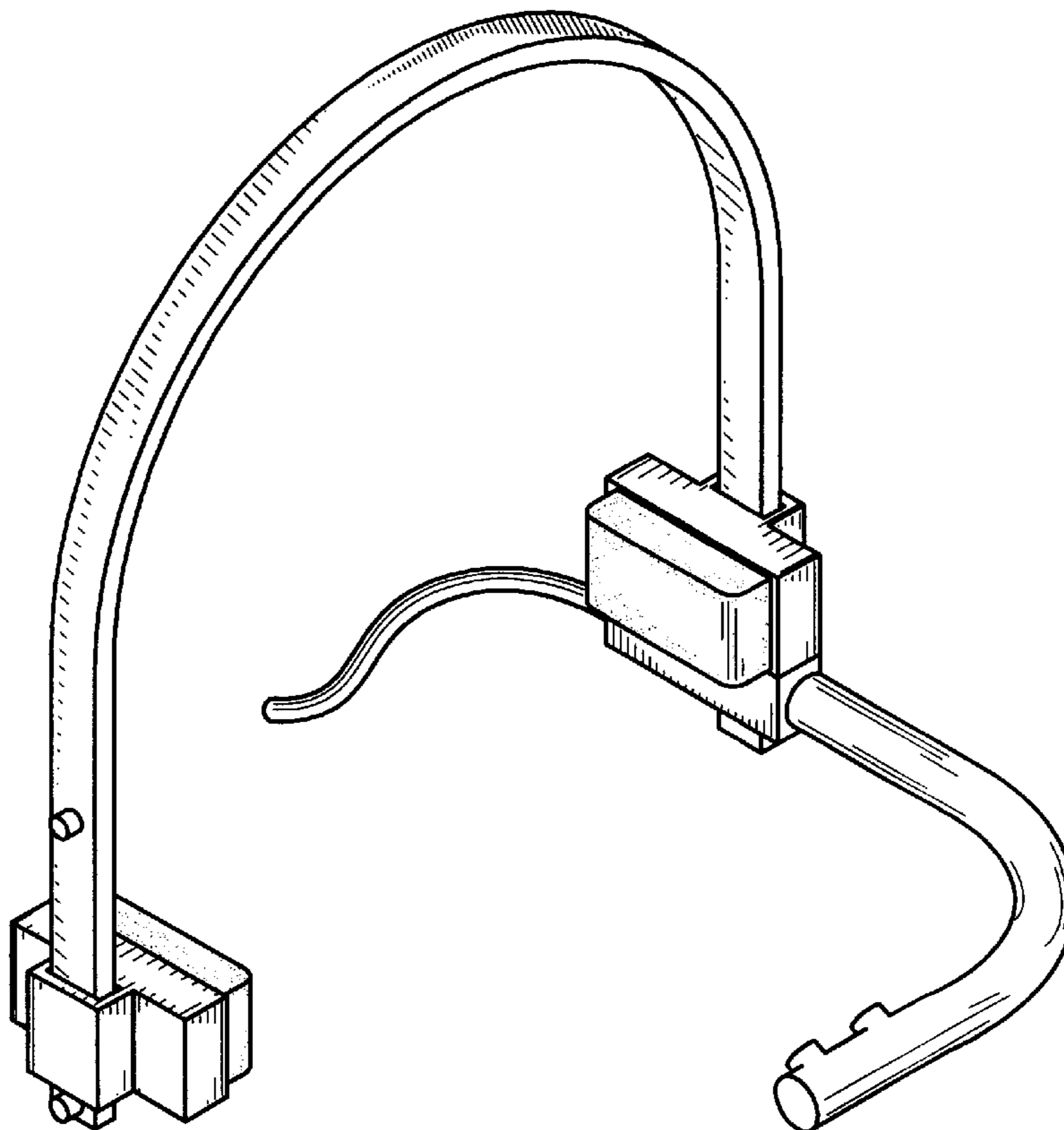
(57) **CLAIM**

The ornamental design for a headset oxygen delivery system, as shown and described.

DESCRIPTION

FIG. 1 is a perspective view of headset oxygen delivery system showing my new design;
FIG. 2 is a rear elevational view thereof;
FIG. 3 is a front elevational view thereof;
FIG. 4 is a left side elevational view thereof;
FIG. 5 is a right side elevational view thereof;
FIG. 6 is a top plan view; and,
FIG. 7 is a bottom plan view thereof.

1 Claim, 4 Drawing Sheets



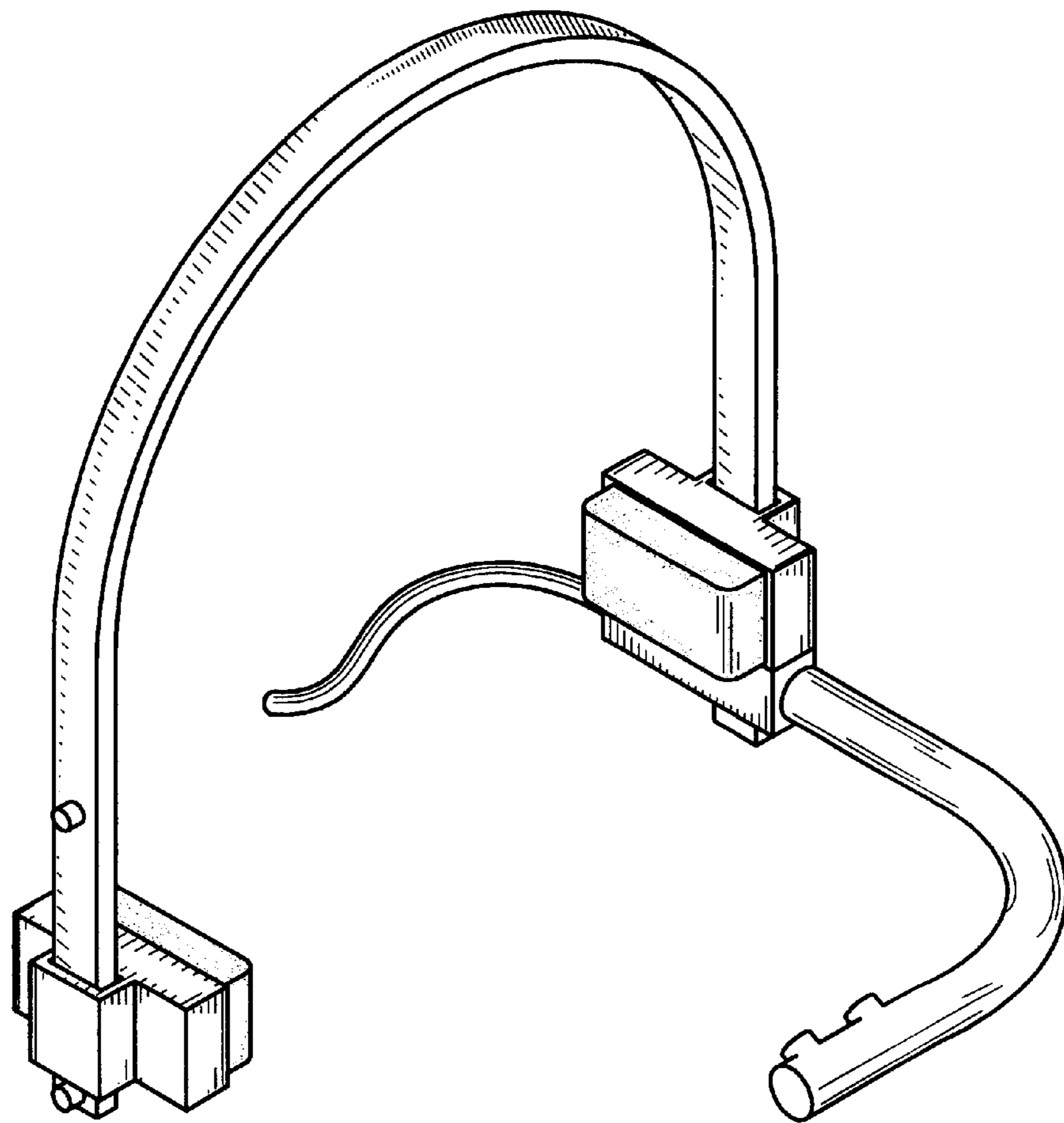


Fig. 1

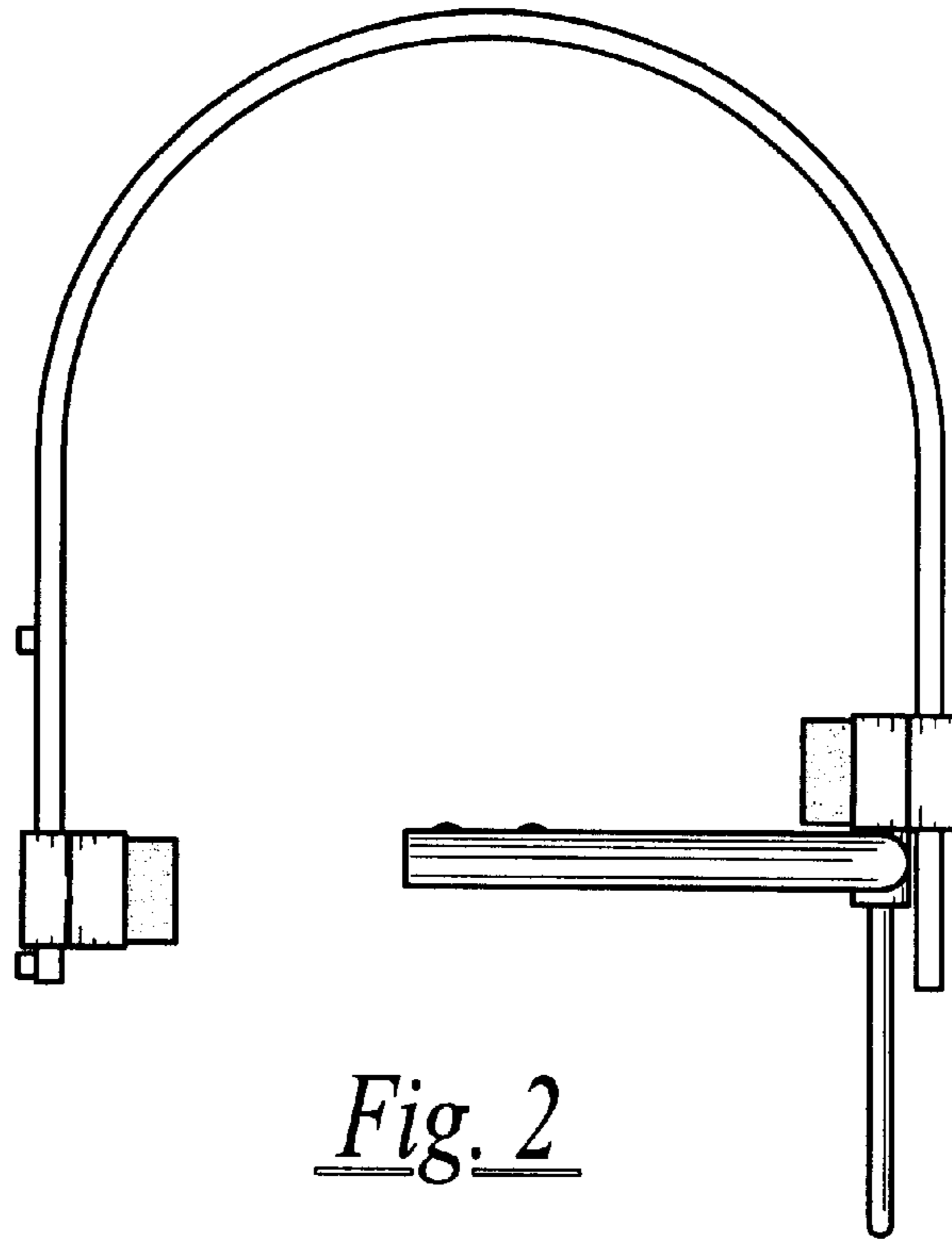


Fig. 2

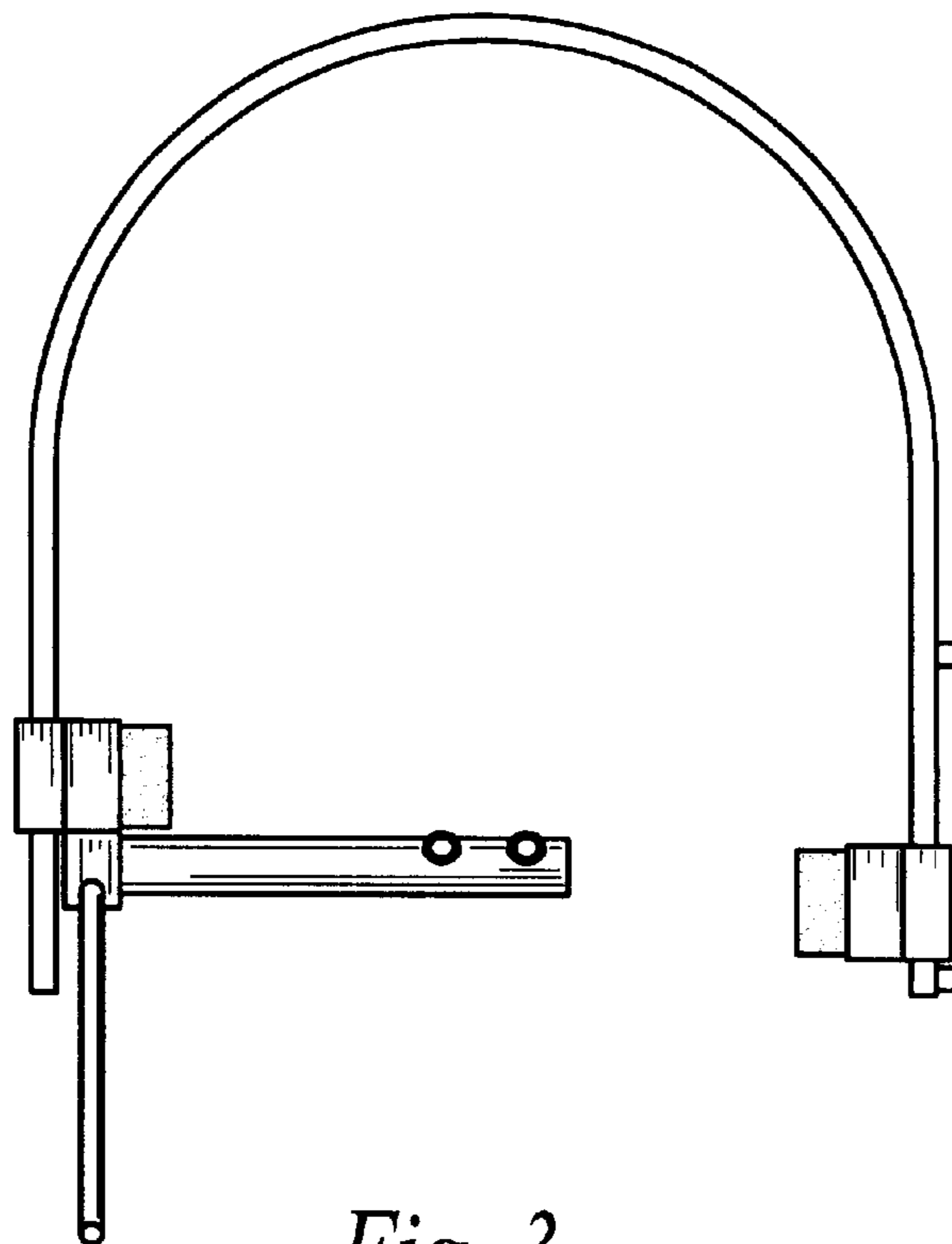


Fig. 3

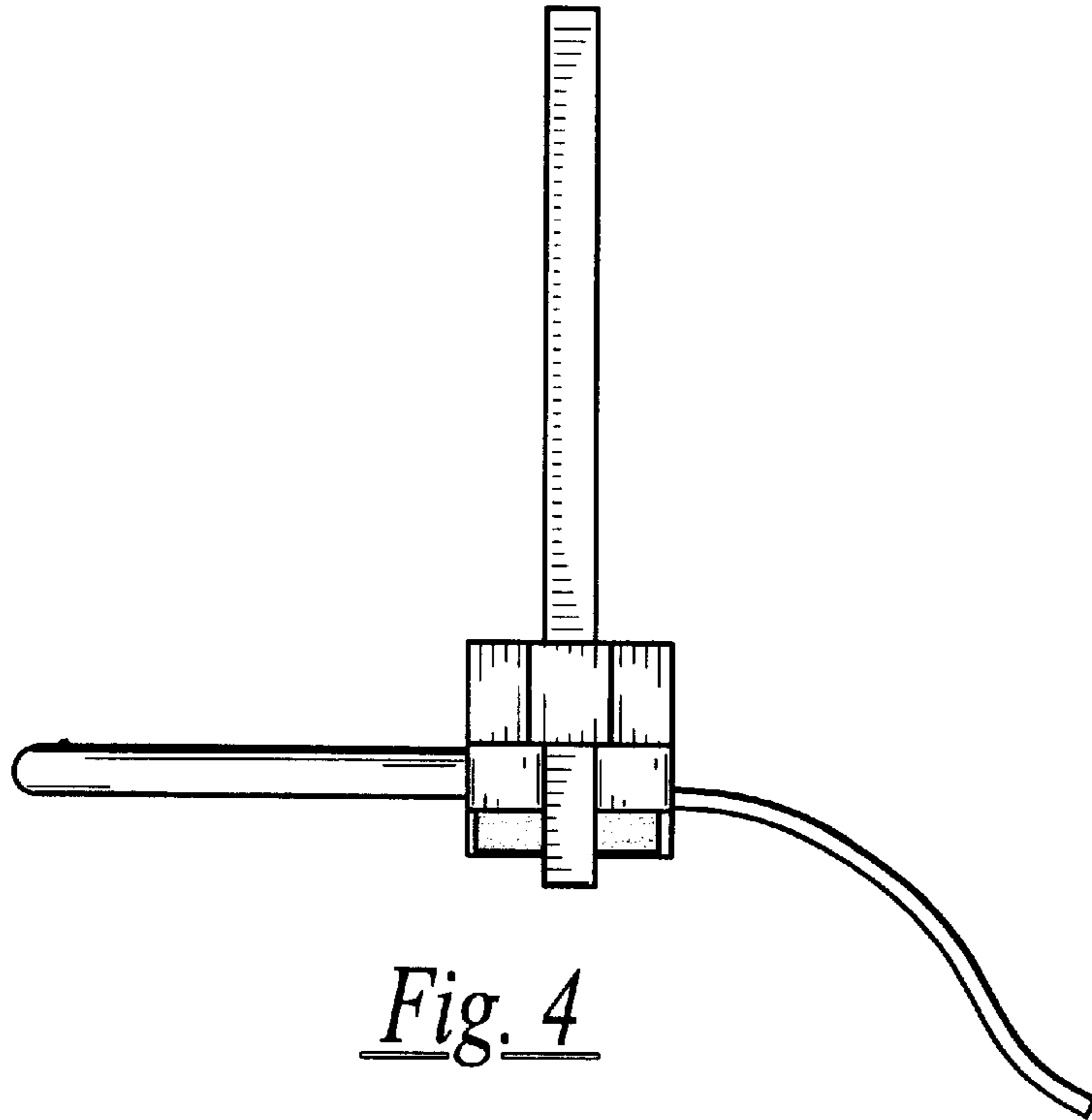


Fig. 4

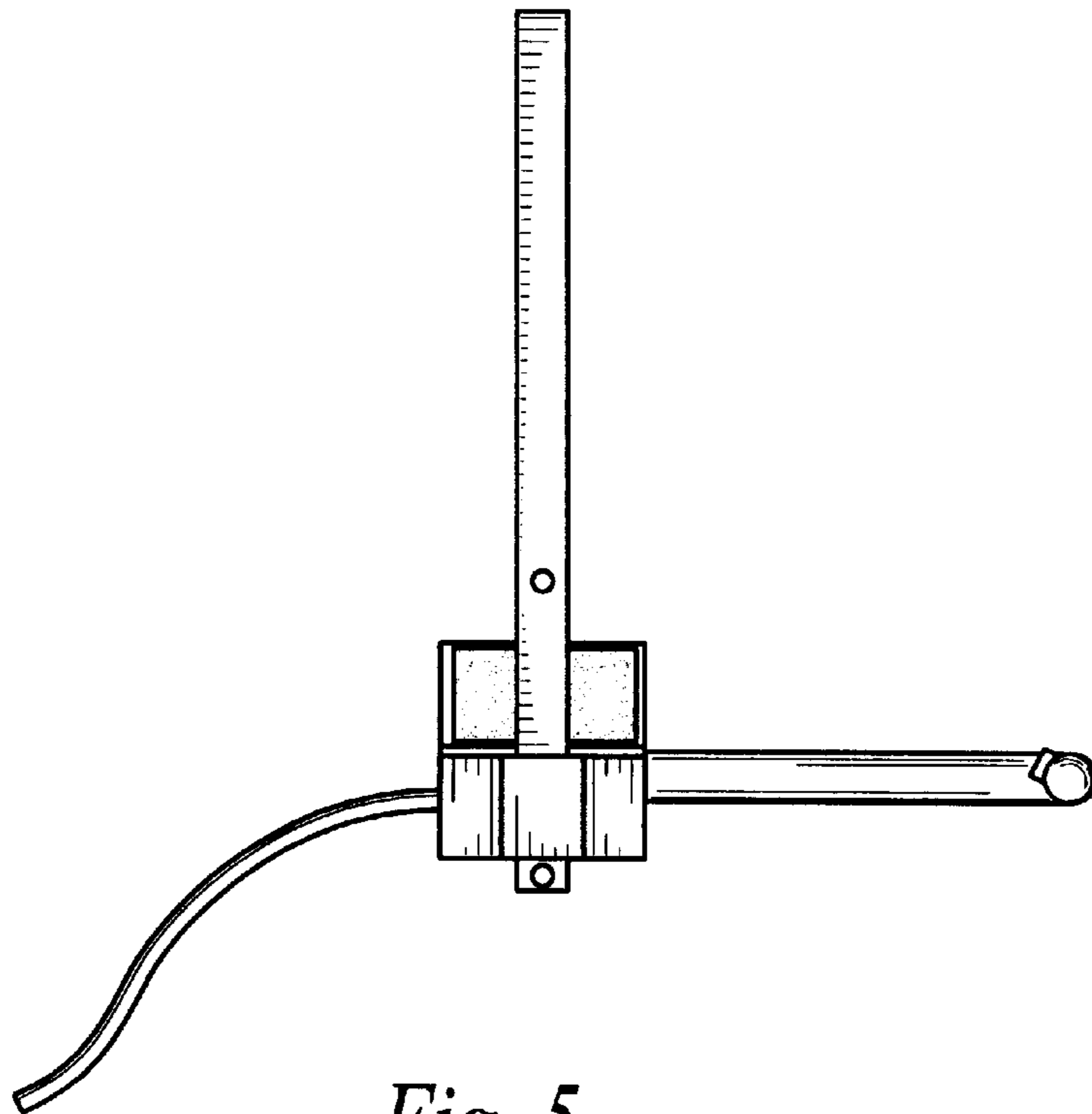


Fig. 5

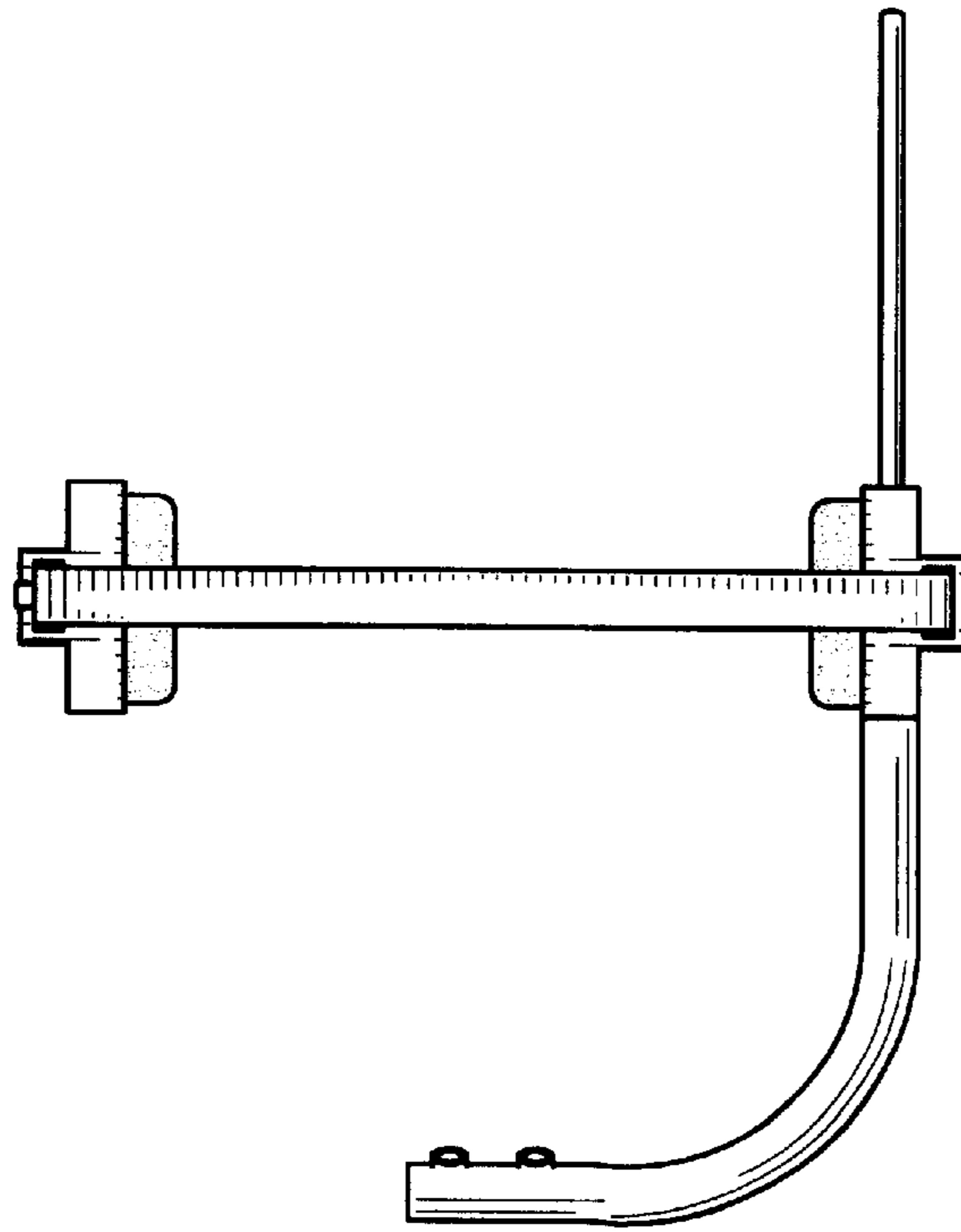


Fig. 6

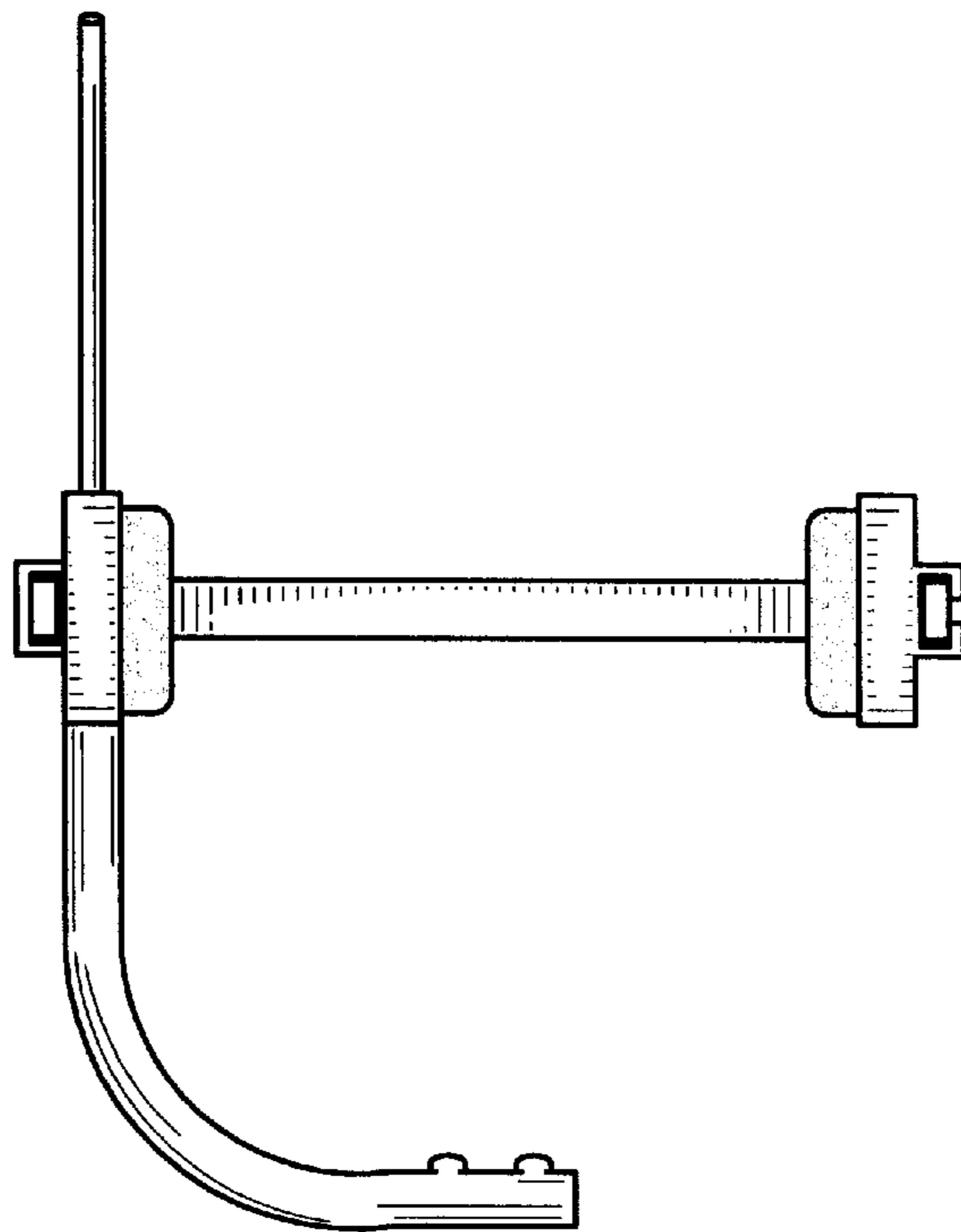


Fig. 7