



US00D533655S

(12) **United States Design Patent** (10) **Patent No.:** **US D533,655 S**
Glasbrenner (45) **Date of Patent:** **** Dec. 12, 2006**

(54) **COMBINED CEILING FAN MOTOR HOUSING AND LIGHT KIT**

Primary Examiner—Lisa Lichtenstein
(74) *Attorney, Agent, or Firm*—Troxell Law Office, PLLC

(75) Inventor: **Brian Glasbrenner**, Santa Monica, CA (US)

(57) **CLAIM**

The ornamental design for a combined ceiling fan motor housing and light kit, as shown and described.

(73) Assignee: **Air Cool Industrial Co., Ltd.**, Taichung Hsien (TW)

DESCRIPTION

(**) Term: **14 Years**

FIG. 1 is a perspective view of a combined ceiling fan motor housing and light kit showing my new design; FIG. 2 is a front end elevation view thereof; FIG. 3 is a rear end elevation view thereof; FIG. 4 is a left side elevation view thereof; FIG. 5 is a right side elevation view thereof; FIG. 6 is a top plan view thereof; FIG. 7 is a bottom plan view thereof; and, FIG. 8 is a front end view of the combined ceiling fan motor housing and light kit in accordance with my design, shown in its environment.

(21) Appl. No.: **29/241,829**

(22) Filed: **Nov. 2, 2005**

(51) **LOC (8) Cl.** **23-04**

(52) **U.S. Cl.** **D23/411**

(58) **Field of Classification Search** D23/411, D23/413, 377, 379, 385; 416/5; D26/59, D26/51, 72, 80–86, 73

See application file for complete search history.

(56) **References Cited**

U.S. PATENT DOCUMENTS

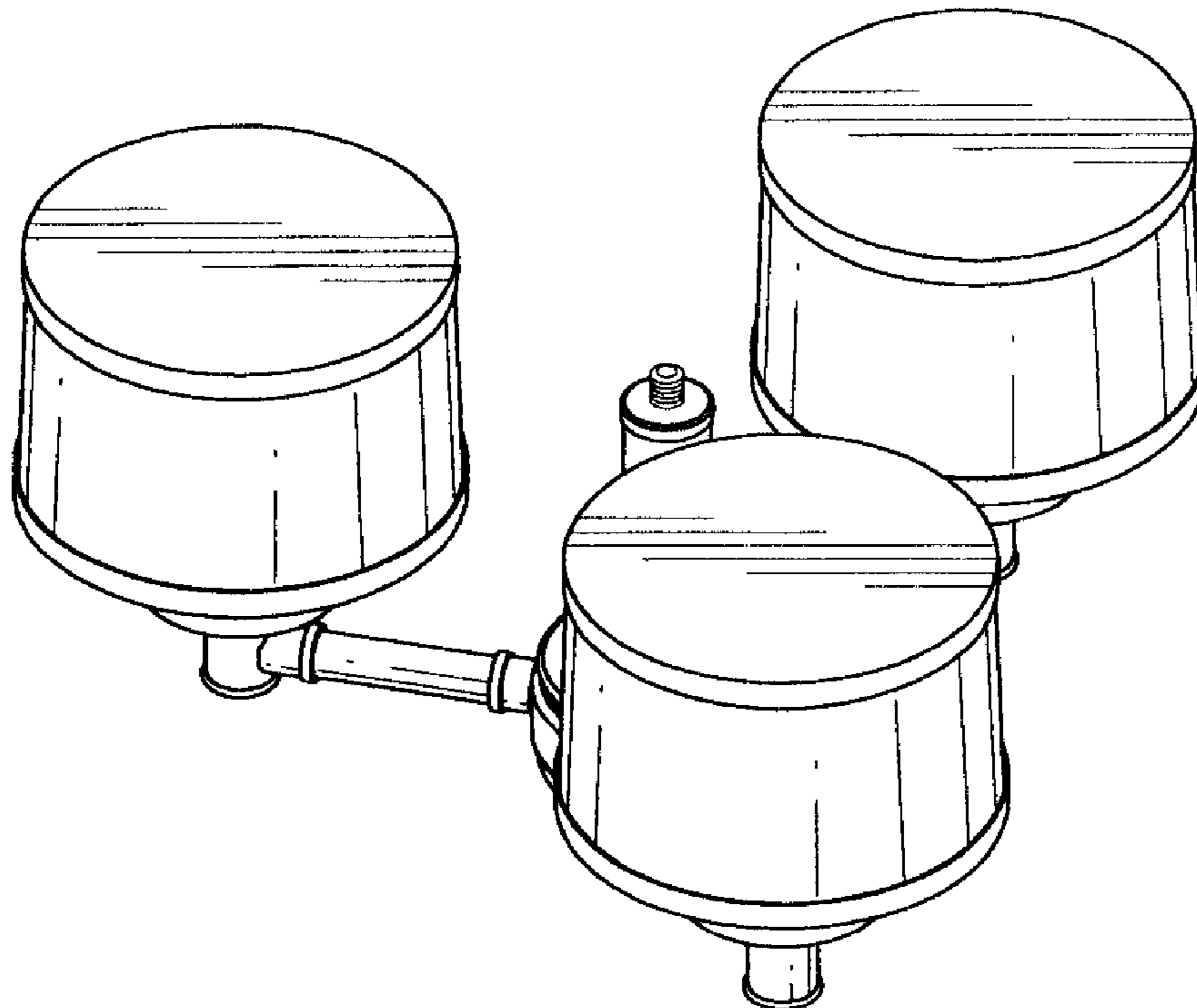
D295,678 S * 5/1988 McVey D23/377

D297,973 S * 10/1988 Everett, Jr. D23/377

* cited by examiner

The broken lines in the views show environmental features, which are for illustrative purposes only and form no part of the claimed design.

1 Claim, 5 Drawing Sheets



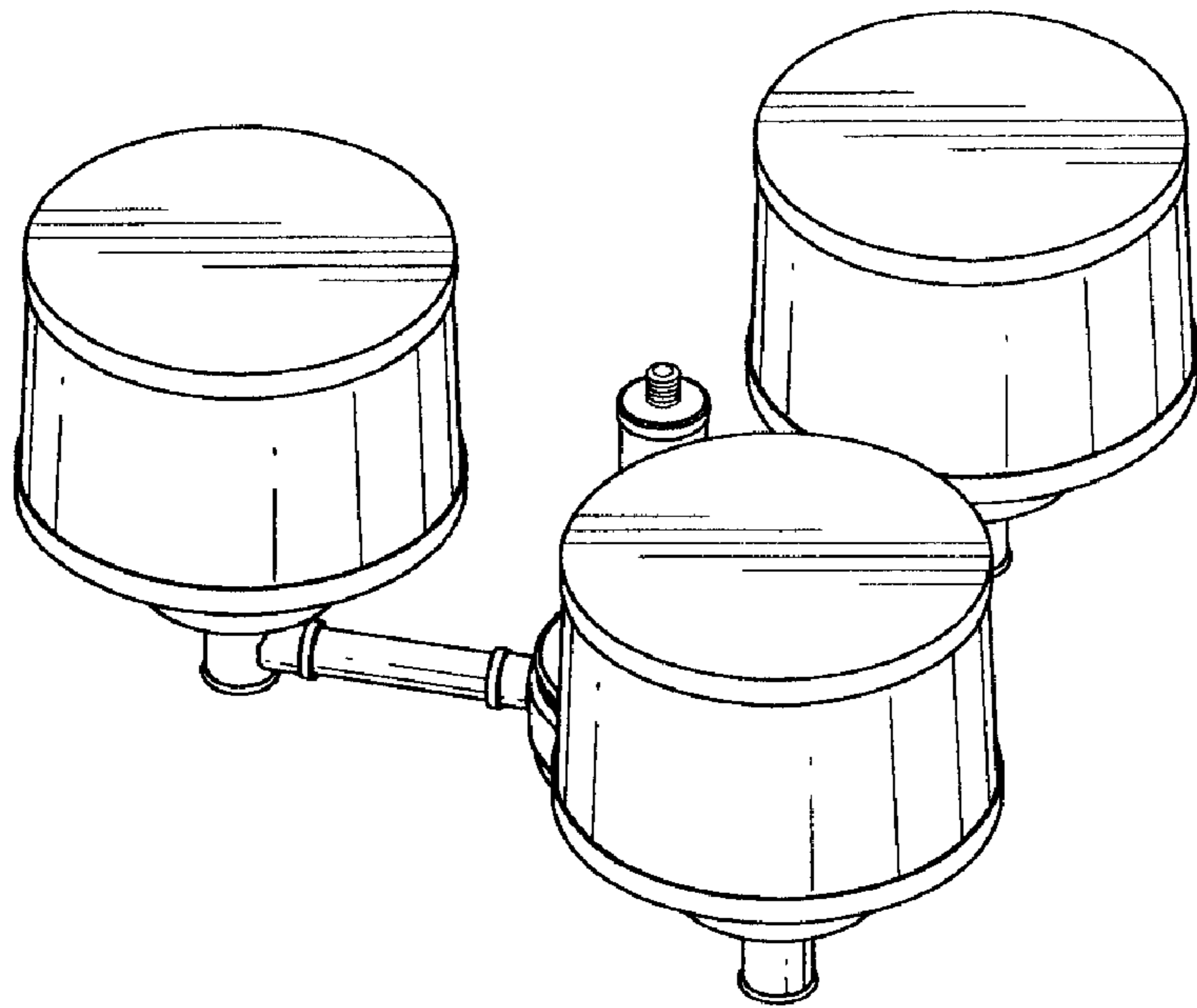


FIG. 1

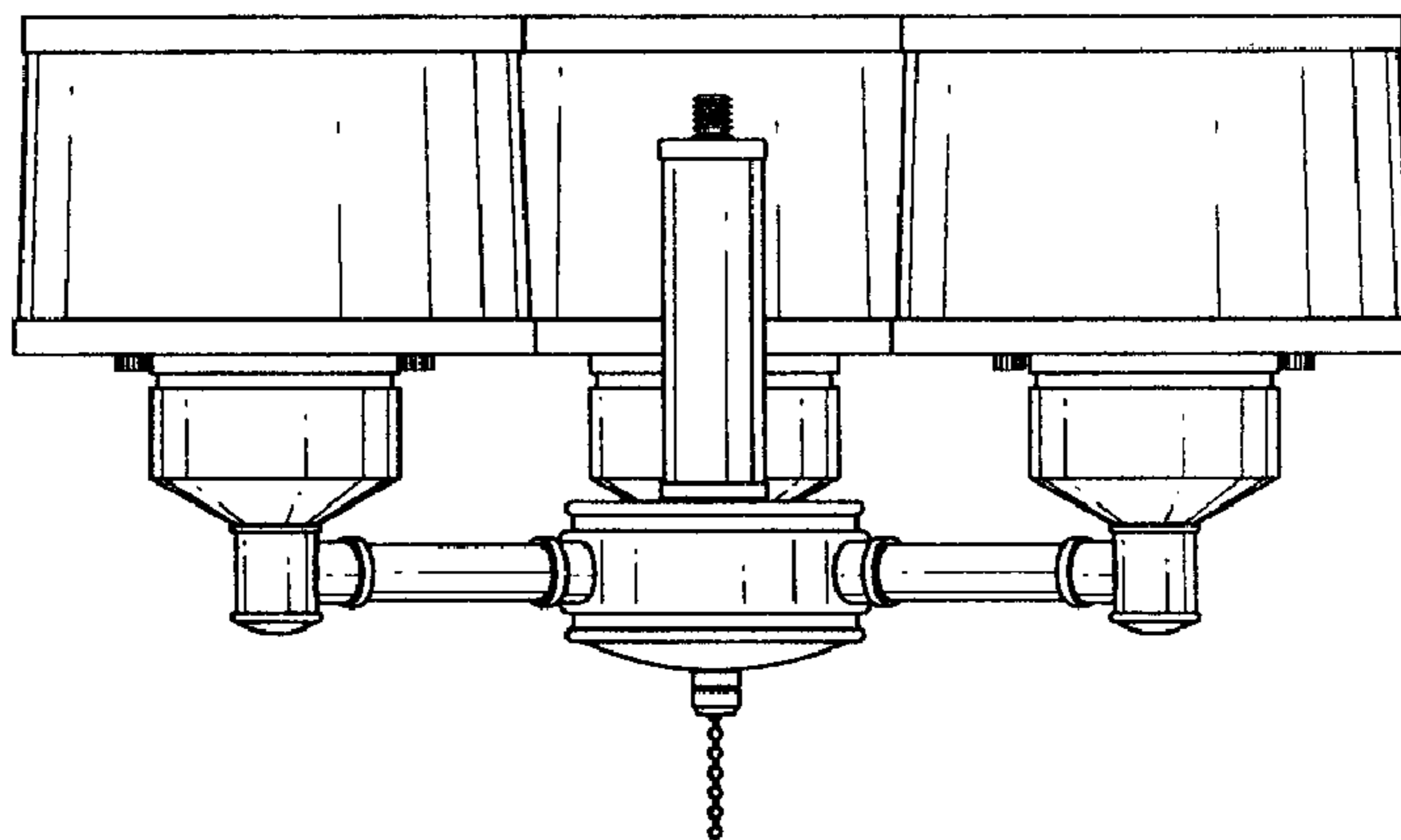


FIG. 2

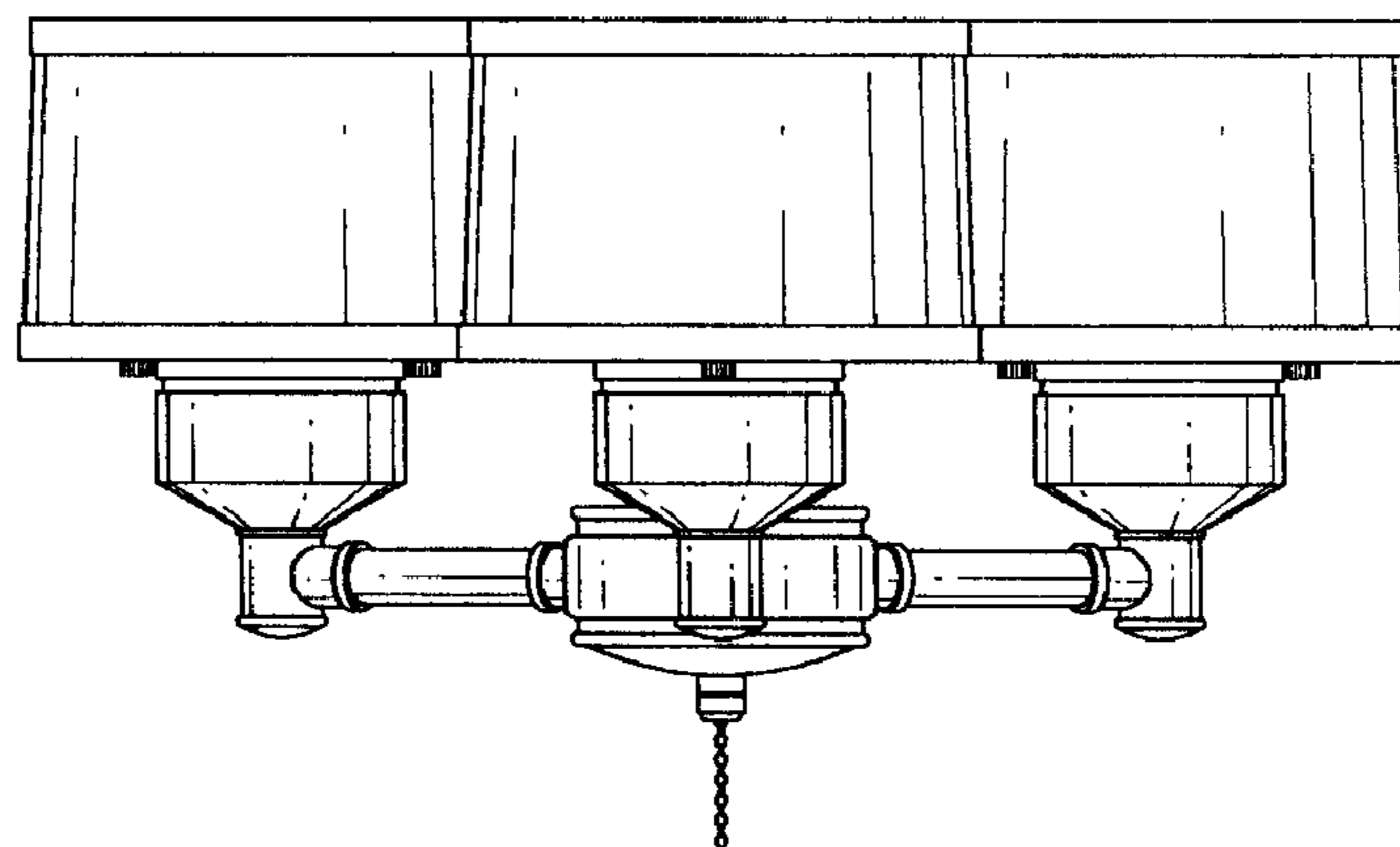


FIG. 3

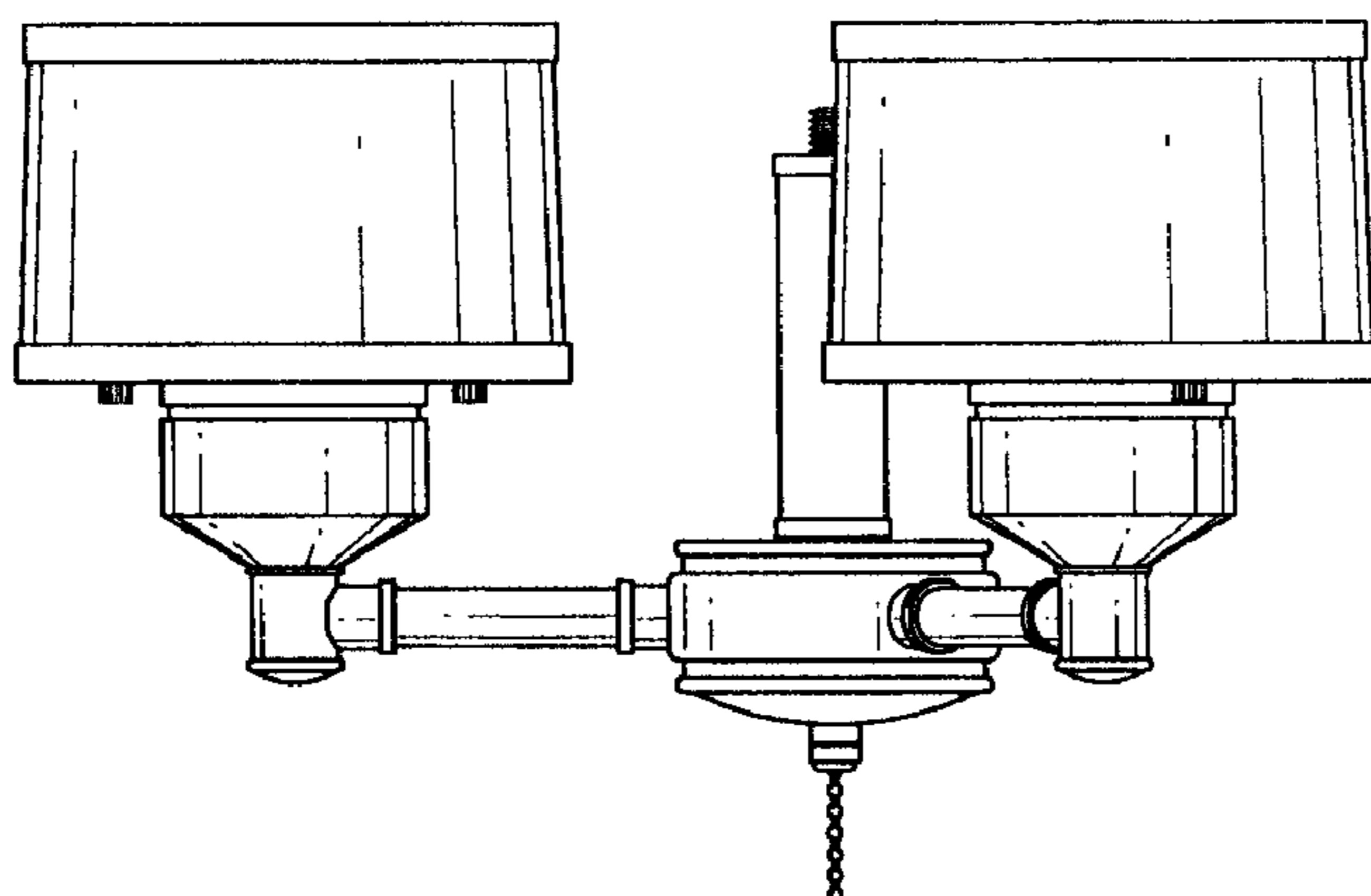


FIG. 4

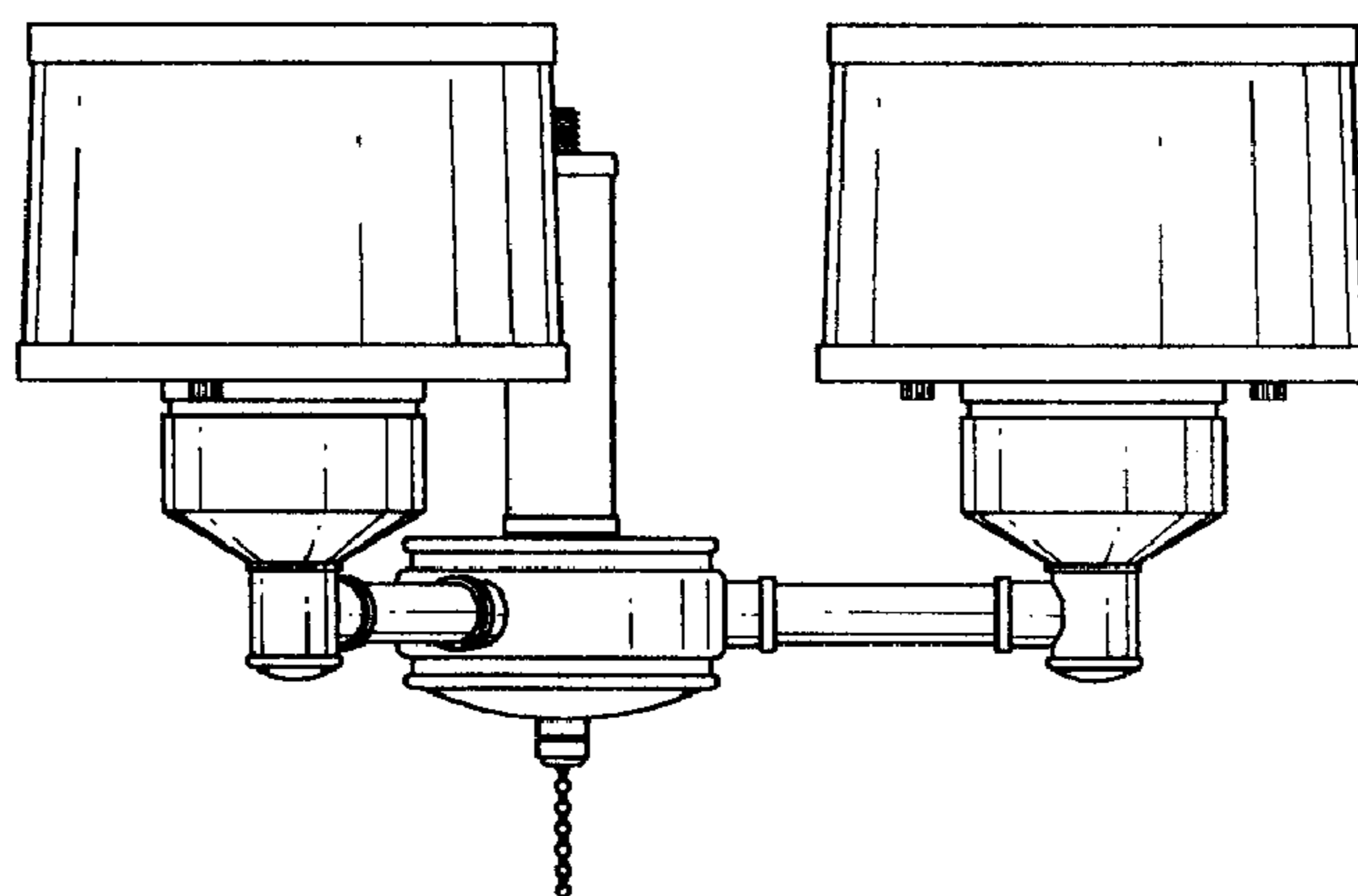


FIG. 5

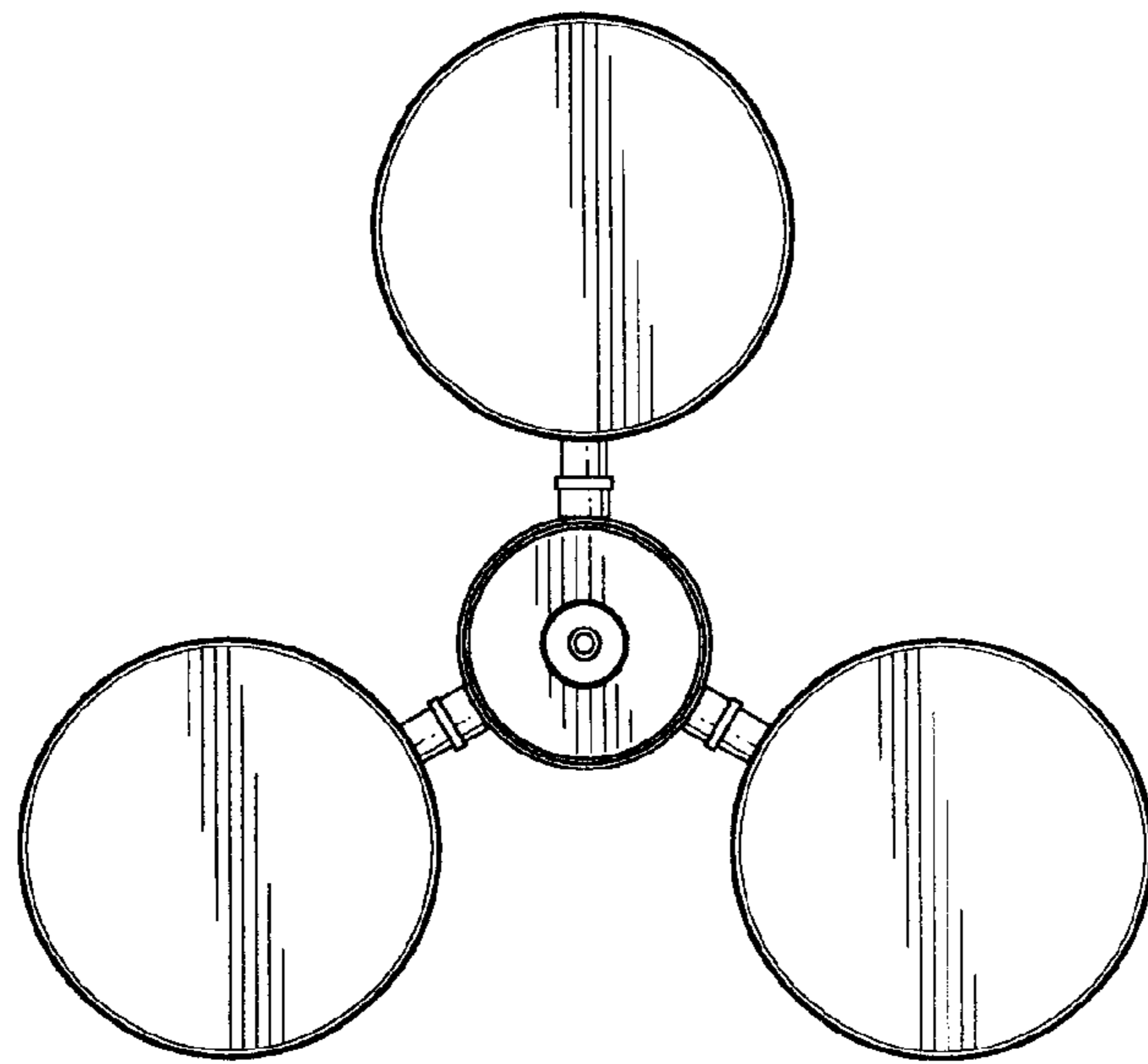


FIG. 6

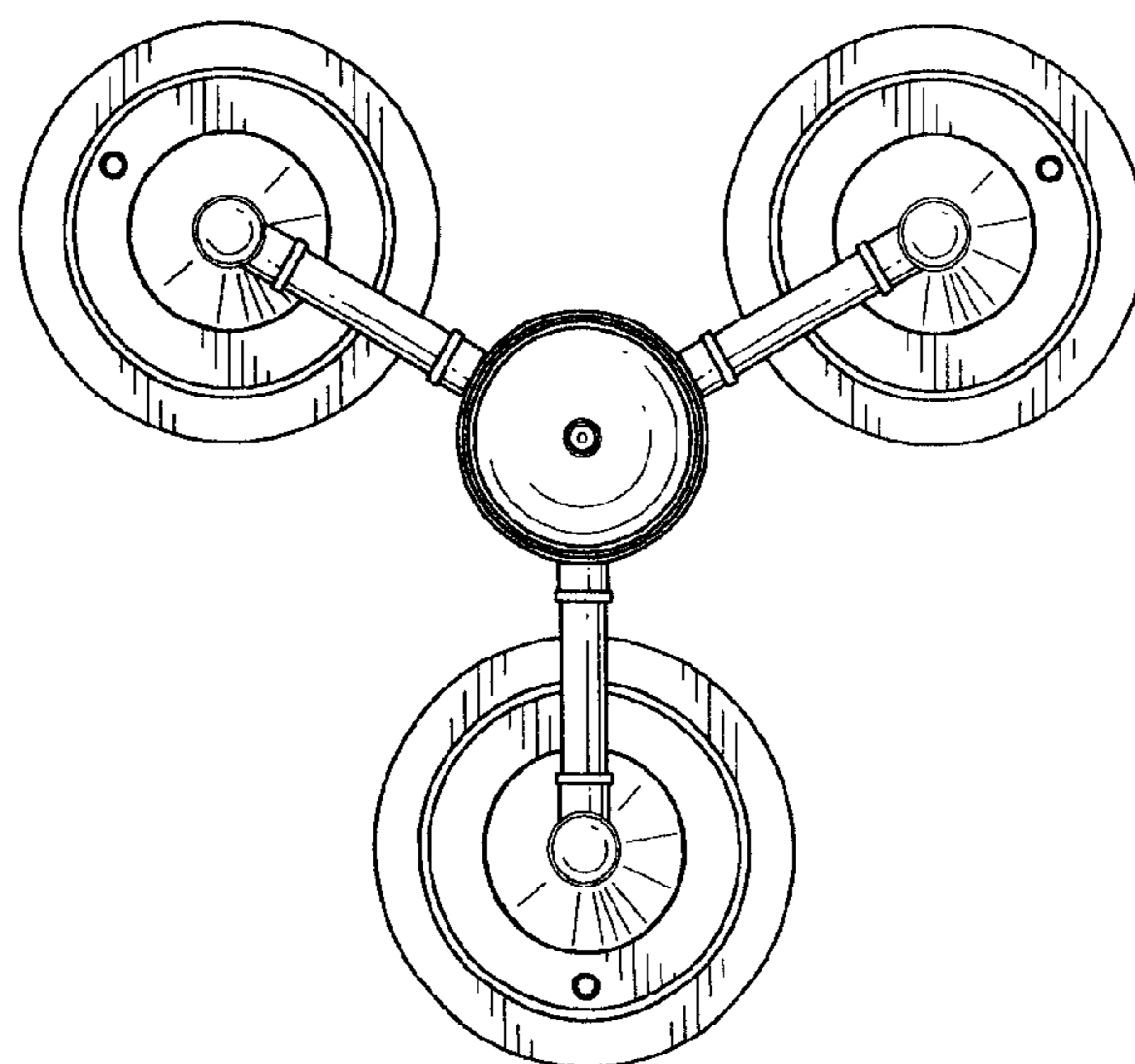


FIG. 7

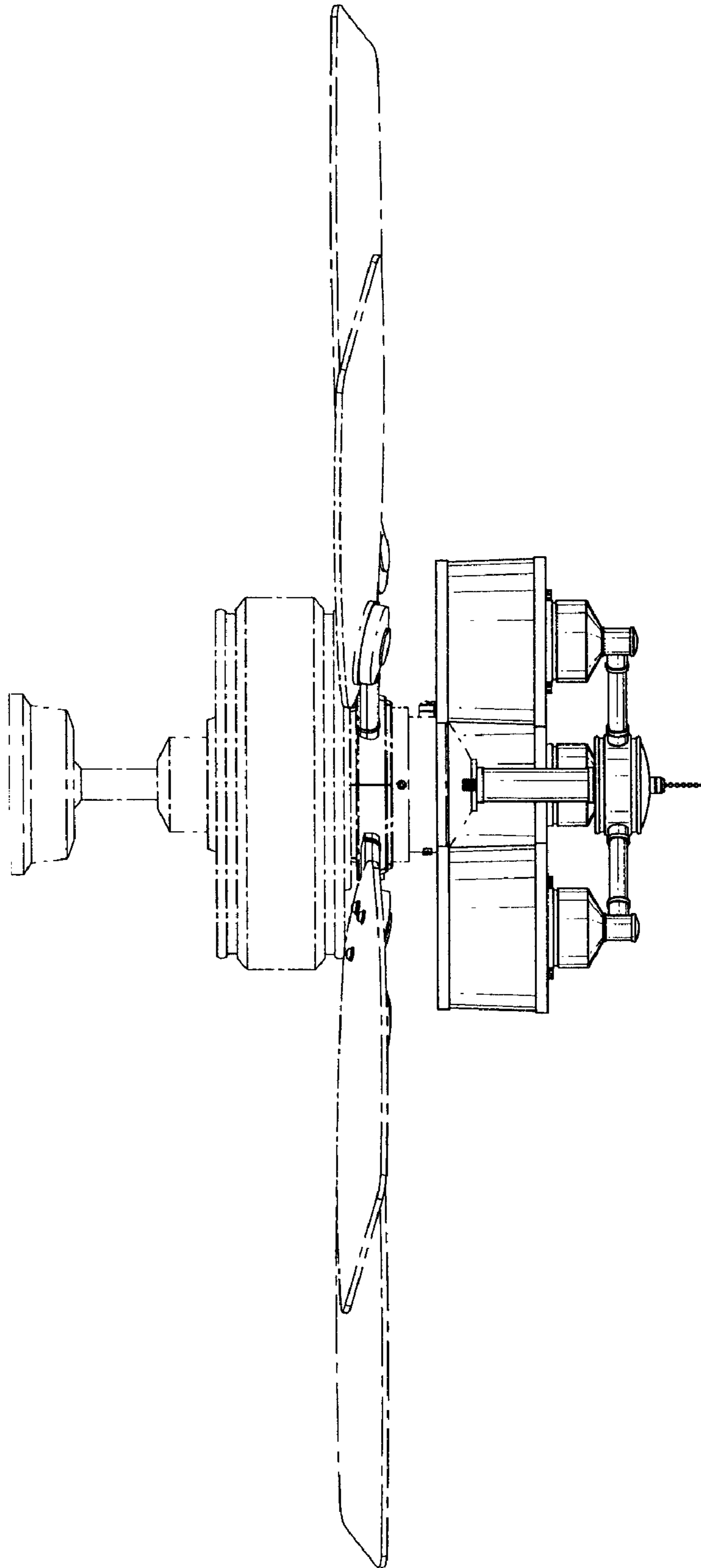


FIG. 8