

US00D533654S

(12) **United States Design Patent**
Burns

(10) **Patent No.:** **US D533,654 S**

(45) **Date of Patent:** **** Dec. 12, 2006**

(54) **CEILING FAN BLADE IRON MEDALLION**

(75) Inventor: **James P. Burns**, Memphis, TN (US)

(73) Assignee: **Hunter Fan Company**, Memphis, TN (US)

(**) Term: **14 Years**

(21) Appl. No.: **29/241,272**

(22) Filed: **Oct. 25, 2005**

(51) **LOC (8) Cl.** **23-04**

(52) **U.S. Cl.** **D23/411**

(58) **Field of Classification Search** D23/377,
D23/379, 385, 411, 413; 416/5, 210 R
See application file for complete search history.

(56) **References Cited**

U.S. PATENT DOCUMENTS

D329,494 S	*	9/1992	Holbrook	D23/377
D442,275 S	*	5/2001	Dolan	D23/411
D492,022 S	*	6/2004	Young	D23/377
D510,428 S	*	10/2005	Hidalgo	D23/411

OTHER PUBLICATIONS

Picture of "The Esplanade" fan from Hunter Fan Company's web site, www.hunterfan.com.

Picture of the "Ergonomic" fan from Hunter Fan Company's web site, www.hunterfan.com.

Photocopy of a picture of the "Oak Park" fan from Huner Fan Company's 2001 ceiling fan selection & special order guide.

Picture of the "Campana" fan from Casablanca Fan Company's web site, www.casablancafanco.com.

* cited by examiner

Primary Examiner—Lisa Lichtenstein

(74) *Attorney, Agent, or Firm*—Baker Donelson et al.

(57) **CLAIM**

The ornamental design for a ceiling fan blade iron medallion, as shown and described.

DESCRIPTION

FIG. 1 is a perspective view of a ceiling fan blade iron medallion showing my new design.

FIG. 2 is a left side view thereof, the right side view being a mirror image thereof.

FIG. 3 is a front view thereof.

FIG. 4 is a rear view thereof.

FIG. 5 is a top view thereof; and,

FIG. 6 is a bottom view thereof.

The broken lines in the views show environmental features which are for illustrative purposes only and form no part of the claimed design.

1 Claim, 3 Drawing Sheets

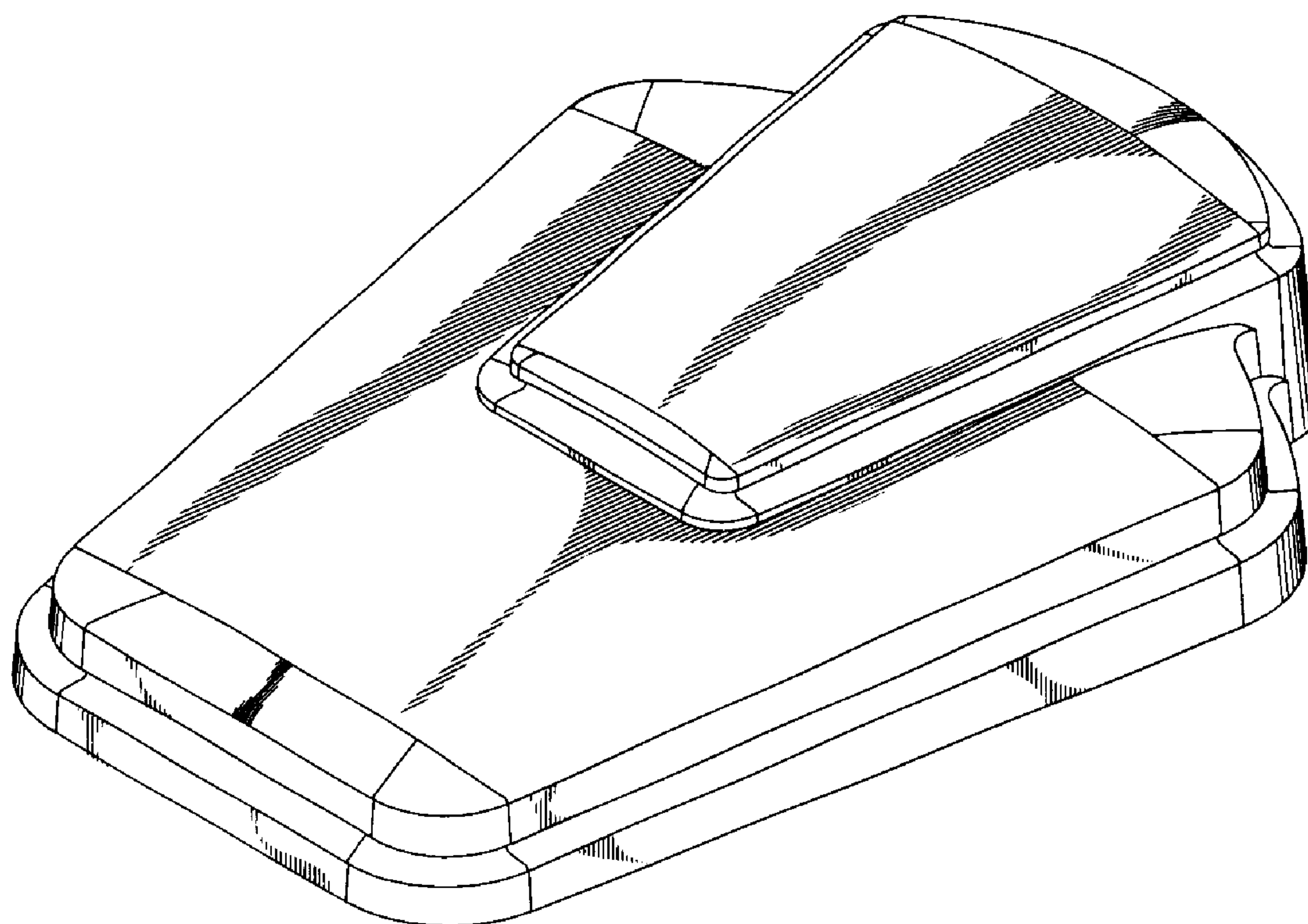


Fig. 1

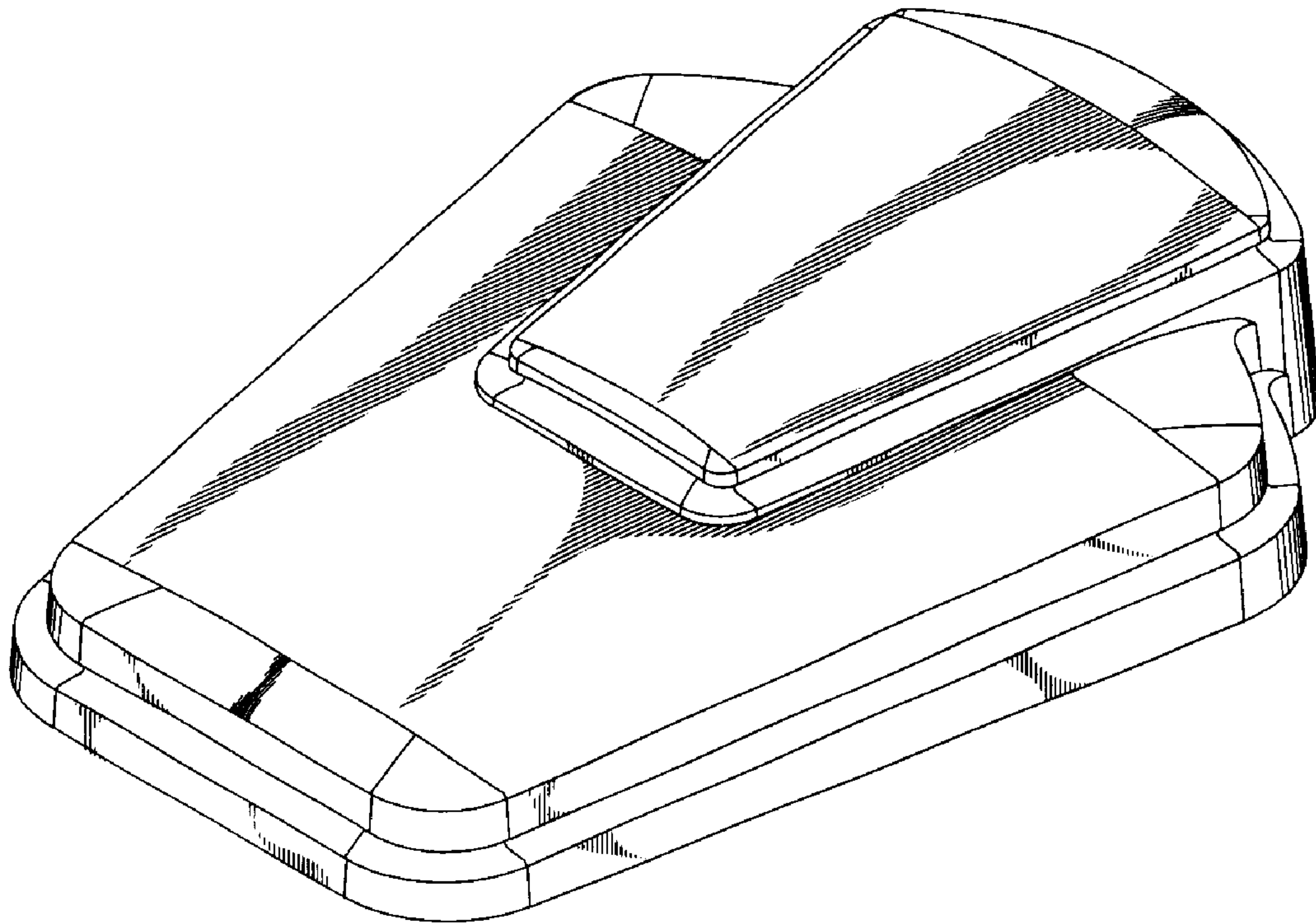


Fig. 2

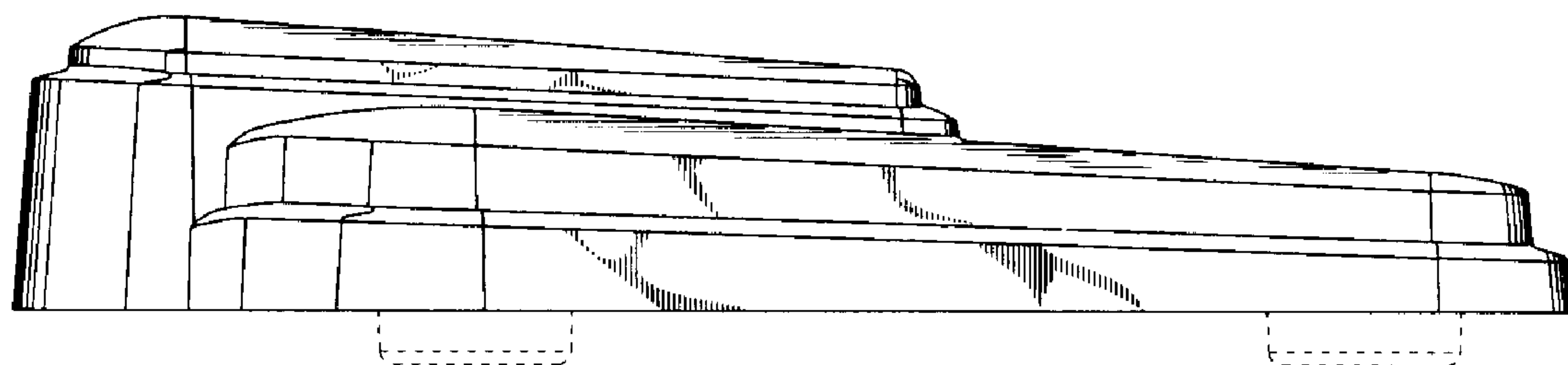


Fig. 3

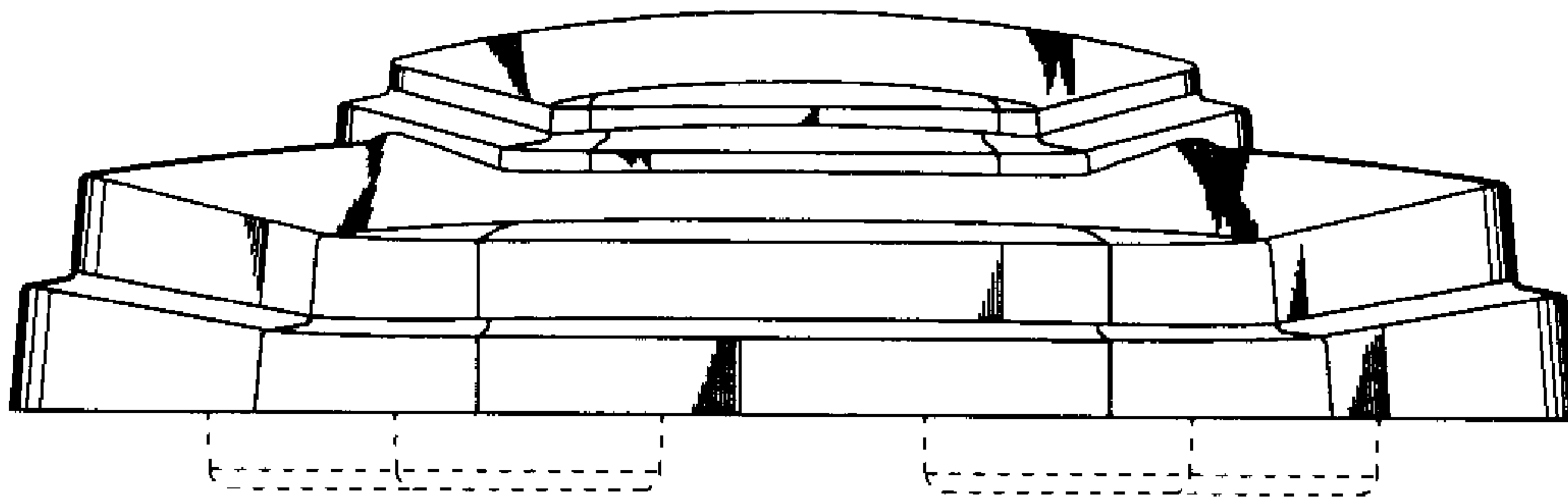


Fig. 4

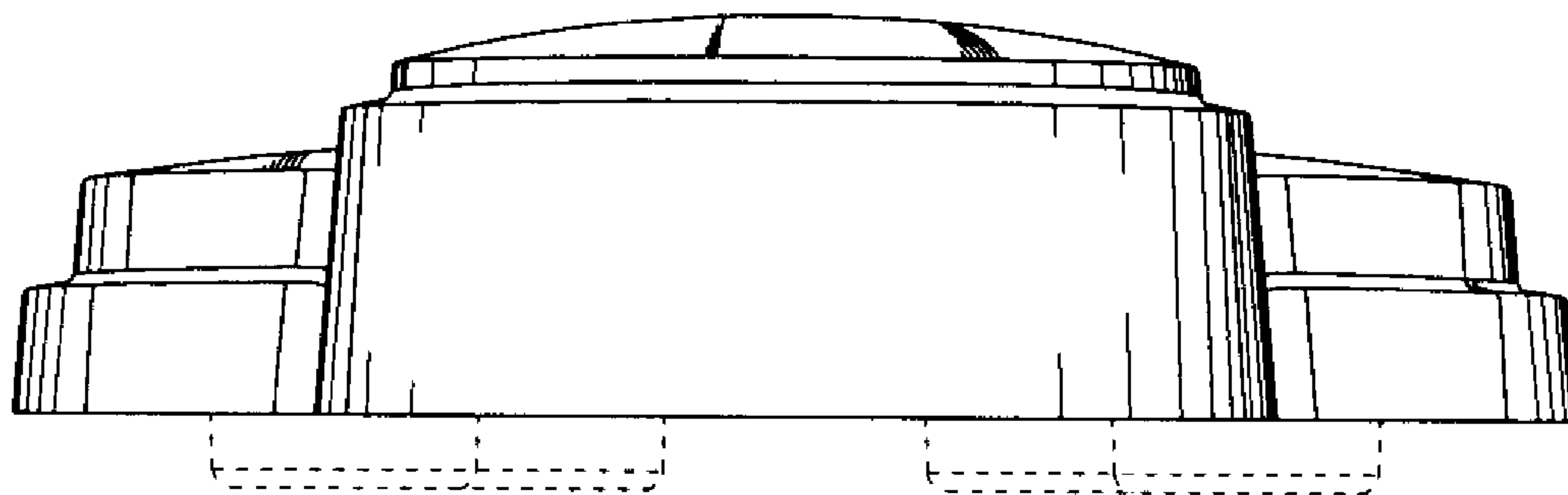


Fig. 5

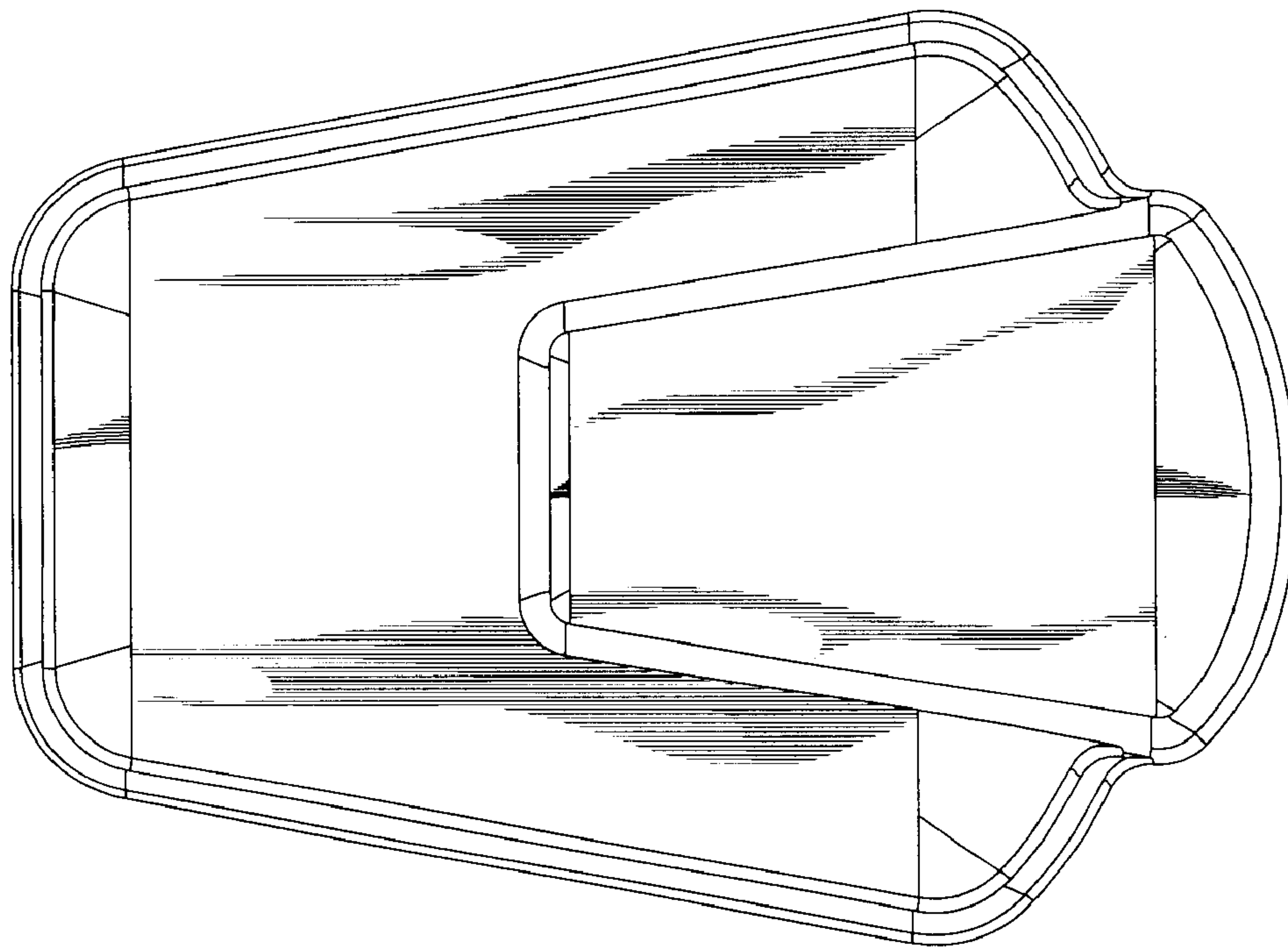


Fig. 6

