



US00D533650S

(12) **United States Design Patent**
Ohta

(10) **Patent No.:** **US D533,650 S**

(45) **Date of Patent:** **** Dec. 12, 2006**

(54) **FACIAL STEAMER**

(75) Inventor: **Keiko Ohta**, Ichikawa (JP)

(73) Assignee: **Matsushita Electric Works, Ltd.**,
Osaka (JP)

(**) Term: **14 Years**

(21) Appl. No.: **29/211,198**

(22) Filed: **Aug. 12, 2004**

(30) **Foreign Application Priority Data**

Mar. 31, 2004 (JP) 2004-009836

(51) **LOC (8) Cl.** **23-04**

(52) **U.S. Cl.** **D23/360; D28/9**

(58) **Field of Classification Search** D28/9;
4/524, 537; 607/83, 84; D23/360; D24/110;
392/337

See application file for complete search history.

(56) **References Cited**

U.S. PATENT DOCUMENTS

2,542,529 A * 2/1951 Hunt 392/337
D198,558 S * 6/1964 Grube D23/360

3,579,262 A * 5/1971 Peeps 392/337
5,355,591 A * 10/1994 Caruso 4/537
D430,657 S * 9/2000 Allende D23/360
2004/0025242 A1 * 2/2004 Leung et al. 4/524
2005/0276582 A1 * 12/2005 Watanabe et al. 392/337

* cited by examiner

Primary Examiner—Jennifer Rivard

(74) *Attorney, Agent, or Firm*—J.C. Patents

(57) **CLAIM**

The ornamental design for a facial steamer, as shown and described.

DESCRIPTION

FIG. 1 is a top perspective view of a facial steamer showing the new design.

FIG. 2 is a front elevational view thereof.

FIG. 3 is a rear elevational view thereof.

FIG. 4 is a left side elevational view thereof.

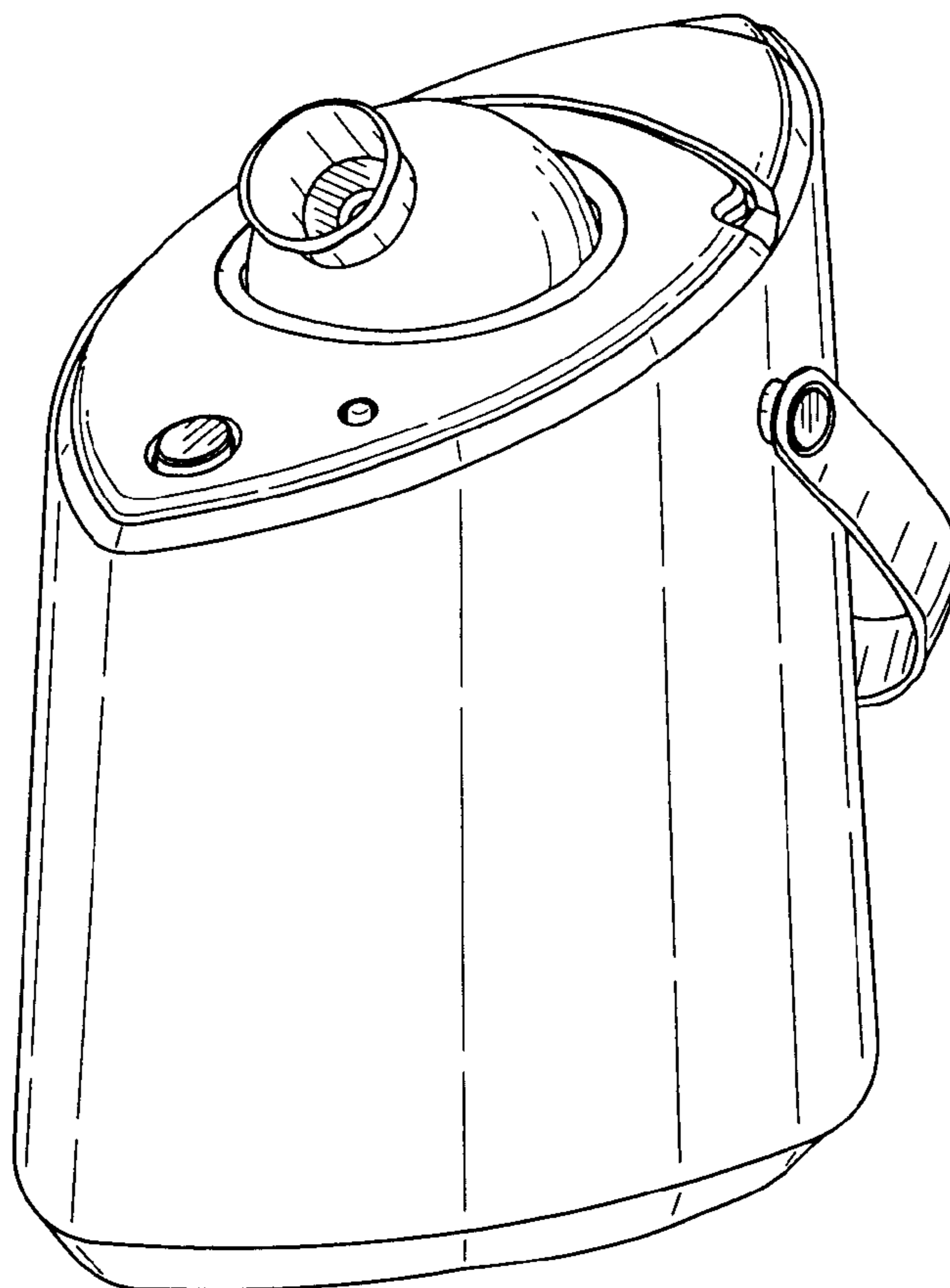
FIG. 5 is a right side elevational view thereof.

FIG. 6 is a top plan view thereof.

FIG. 7 is a bottom plan view thereof; and,

FIG. 8 is a bottom perspective view thereof.

1 Claim, 8 Drawing Sheets



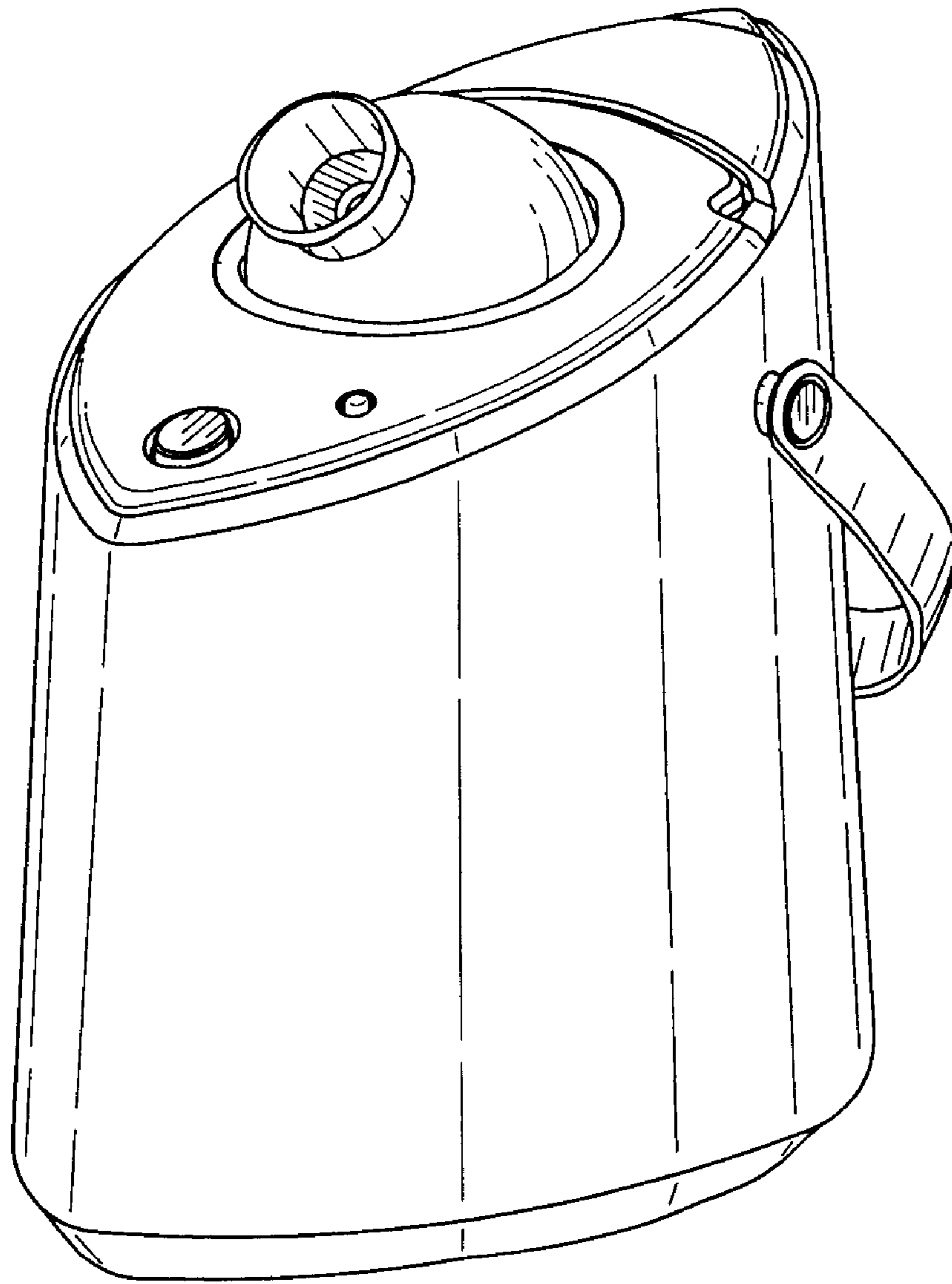


FIG. 1

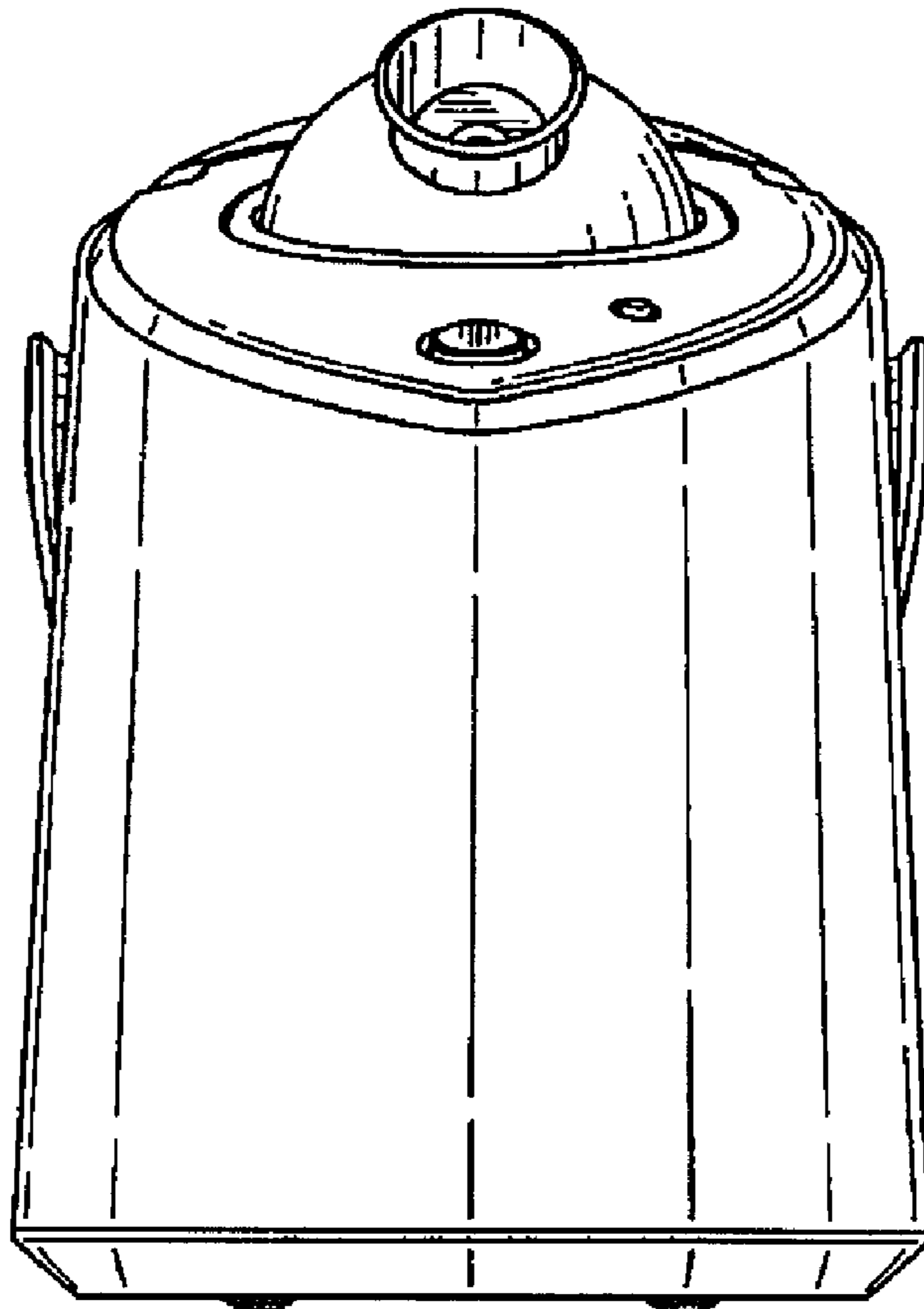


FIG. 2

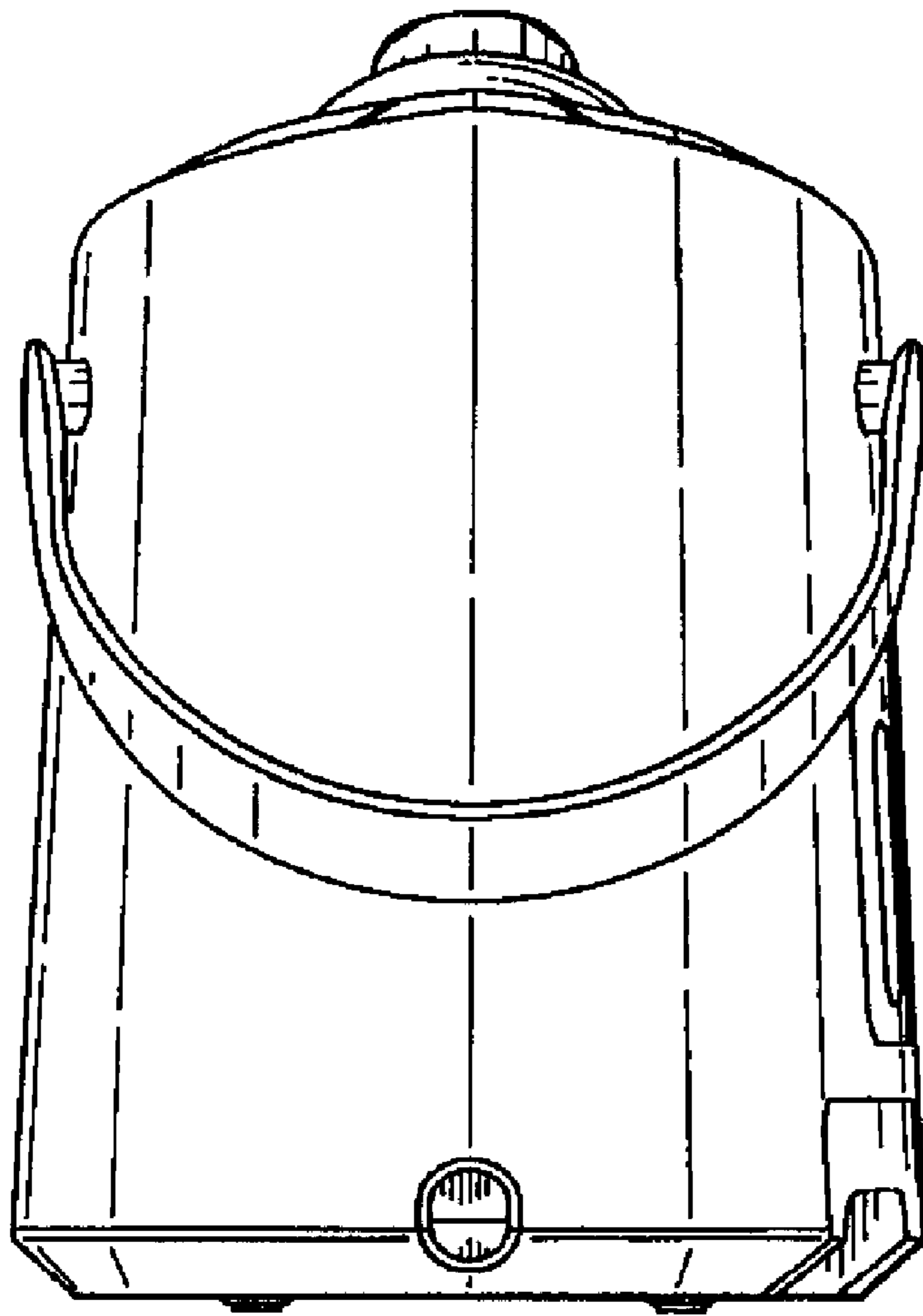


FIG. 3

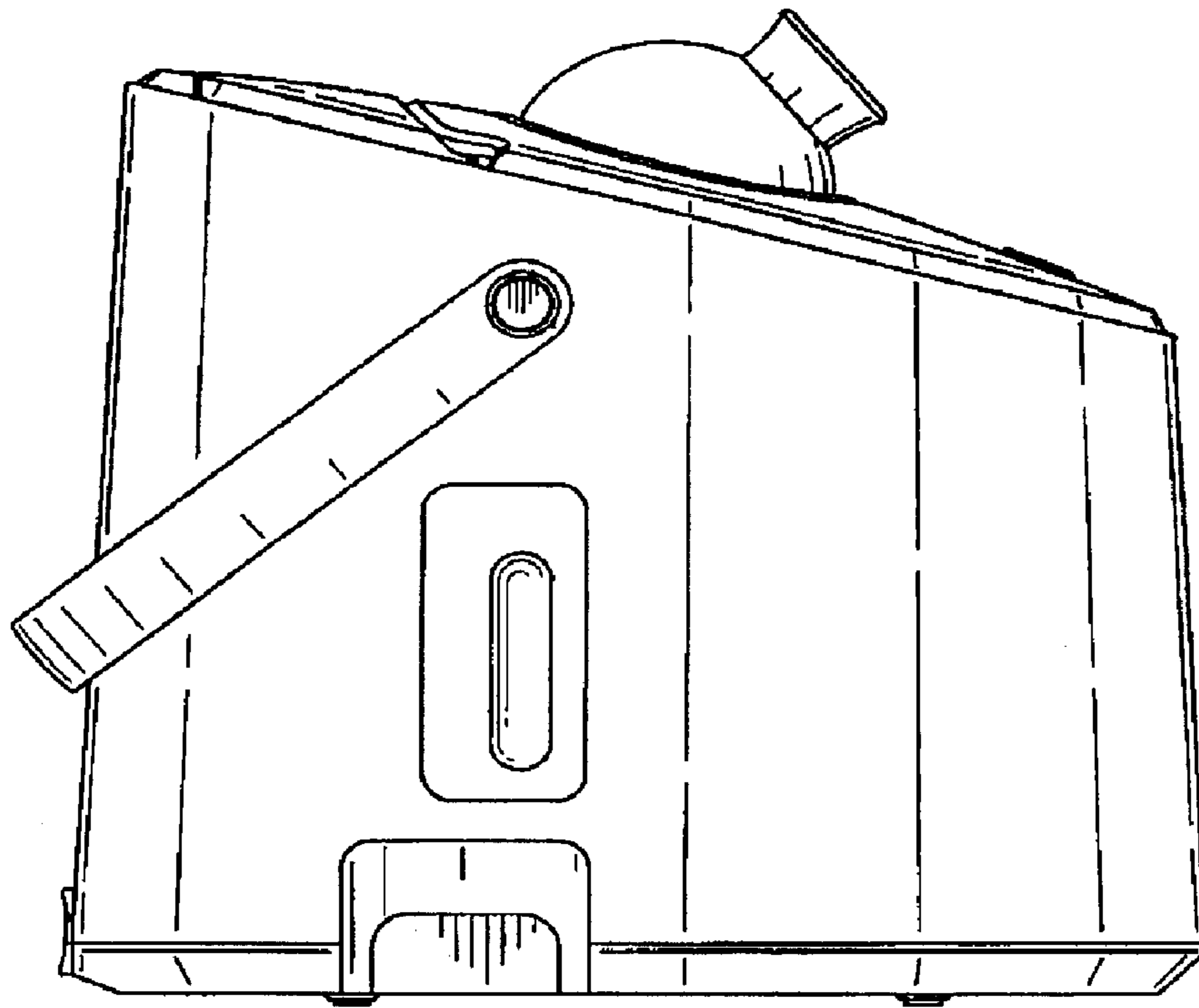


FIG. 4

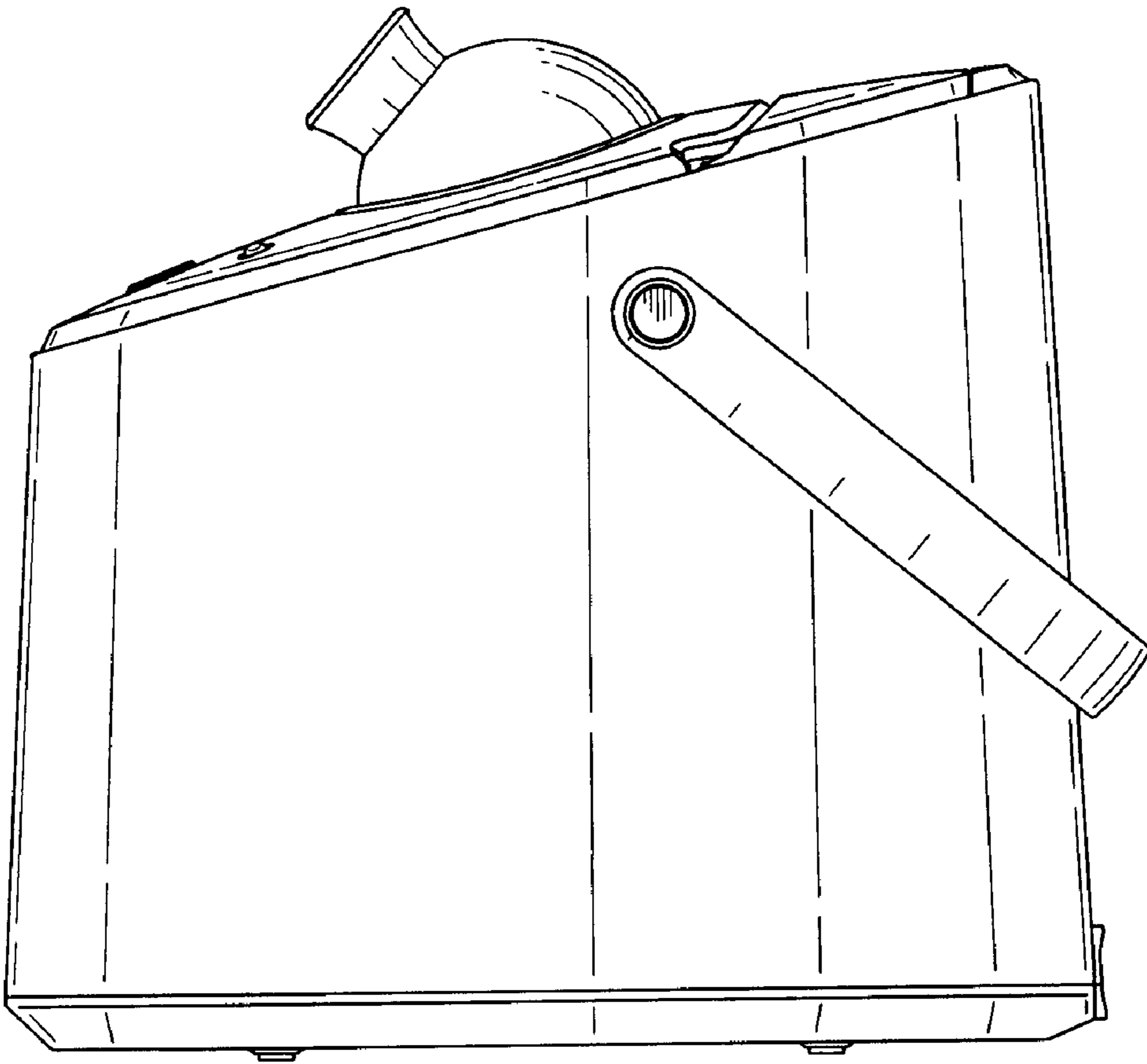


FIG. 5

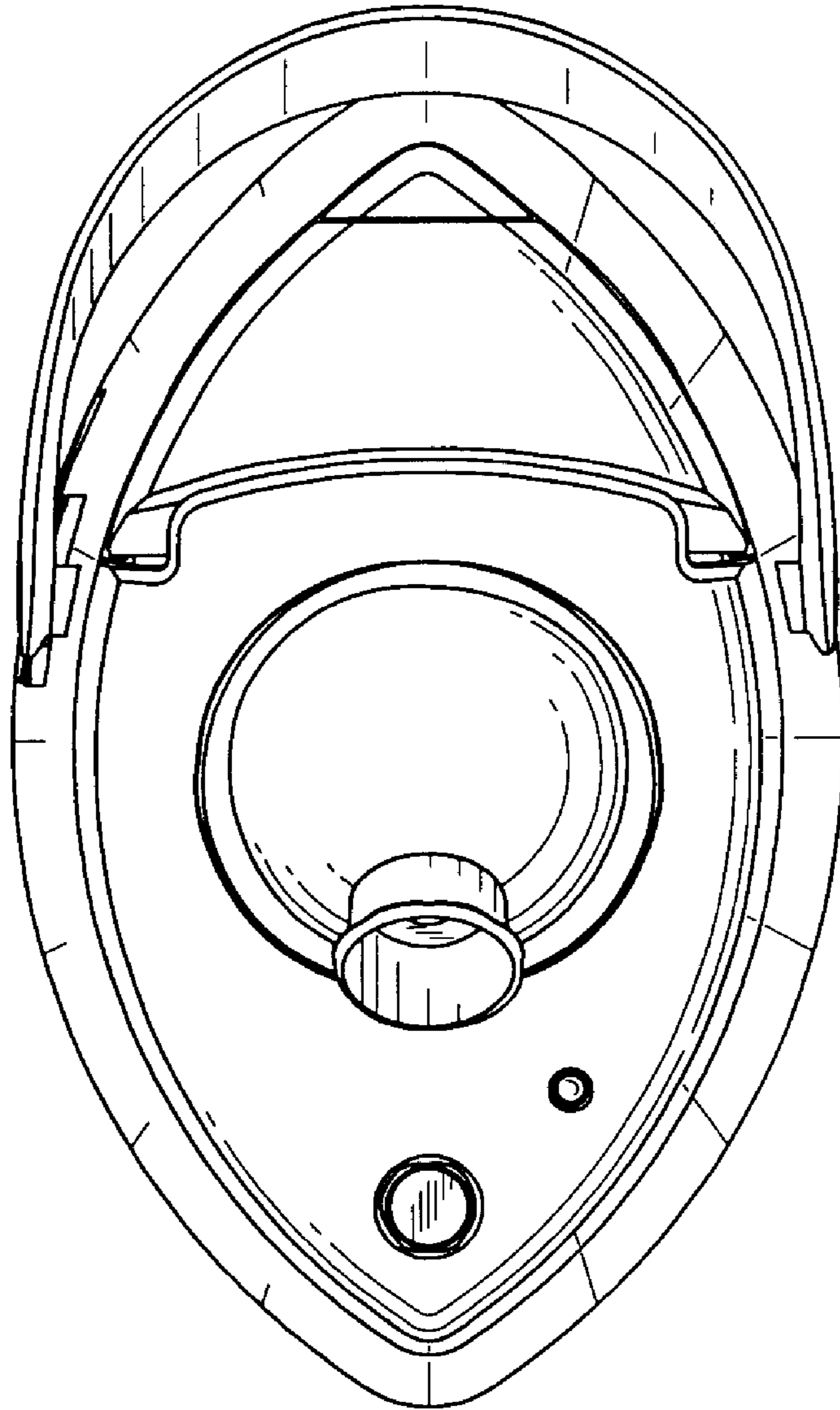


FIG. 6

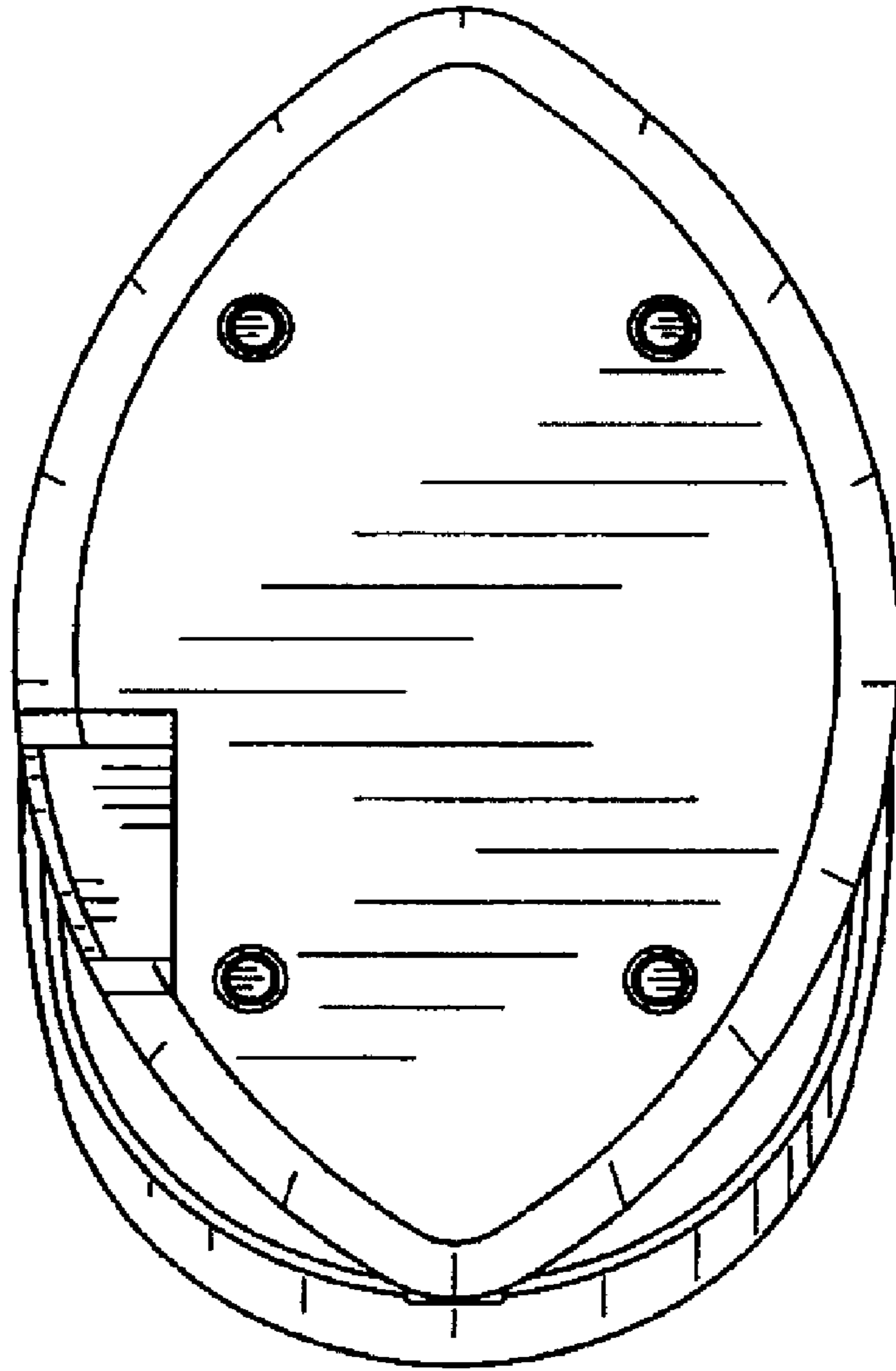


FIG. 7

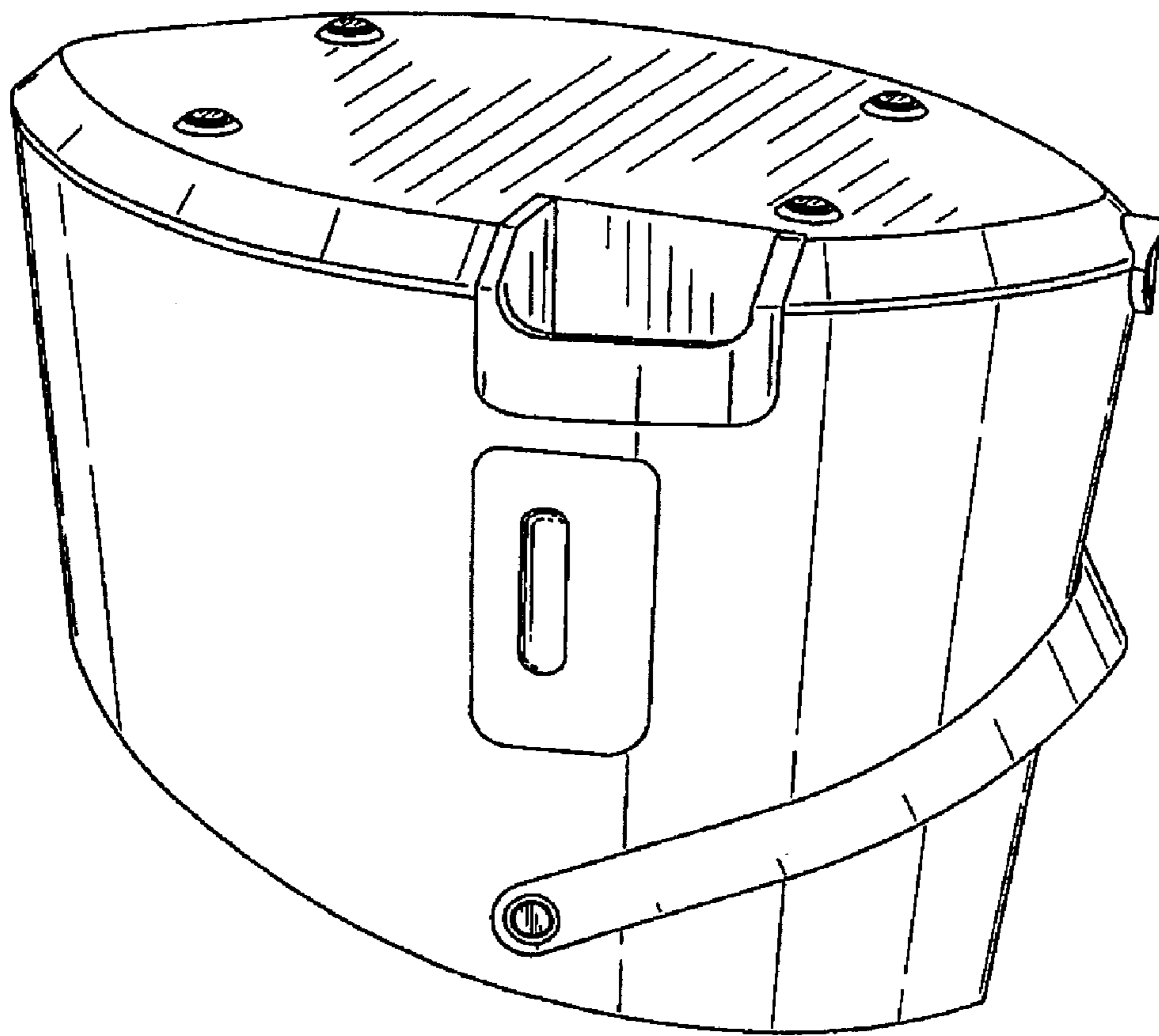


FIG. 8