



US00D533646S

(12) **United States Design Patent** (10) **Patent No.:** **US D533,646 S**  
**Soulier** (45) **Date of Patent:** **\*\* Dec. 12, 2006**

(54) **LAVATORY**

(75) Inventor: **Jean-Hugues Soulier**, Vaucresson (FR)

(73) Assignee: **Kohler France SAS**, Paris (FR)

(\*\*) Term: **14 Years**

(21) Appl. No.: **29/220,906**

(22) Filed: **Jan. 7, 2005**

(51) **LOC (8) Cl.** ..... **23-02**

(52) **U.S. Cl.** ..... **D23/293.1**

(58) **Field of Classification Search** ..... D23/272-274,  
D23/284-285, 288-289, 291, 293.1, 303,  
D23/308; 4/515-516, 519, 619, 650, 661  
See application file for complete search history.

(56) **References Cited**

**U.S. PATENT DOCUMENTS**

D356,148 S \* 3/1995 Kohler et al. .... D23/293.1  
D473,635 S \* 4/2003 Lanius ..... D23/293.1

**OTHER PUBLICATIONS**

HH06026460, Jan. 12, 1994, Japanese PTO Library Identifier a/k/a a Finnish Design Official Gazette publication, Dec. 15, 1993, p. 19.

Toto website page, Pacifica Self Rimming Lavatory 4" CC, LT909, dated Oct. 21, 2004.

Blanco website page, Bathroom Sinks, Devon oval, dated Oct. 21, 2004.

Kohler catalog page, Lavatorie, Countertop Self-Rimming.

\* cited by examiner

*Primary Examiner*—Robert A. Delehanty

(74) *Attorney, Agent, or Firm*—Quarles & Brady LLP

(57) **CLAIM**

The ornamental design for a lavatory, as shown and described.

**DESCRIPTION**

In a preferred embodiment, the nature of this product is a plumbing fixture such as for washing human body parts.

FIG. 1 is a top, left, front perspective view of a lavatory embodying my new design;

FIG. 2 is a top plan view thereof;

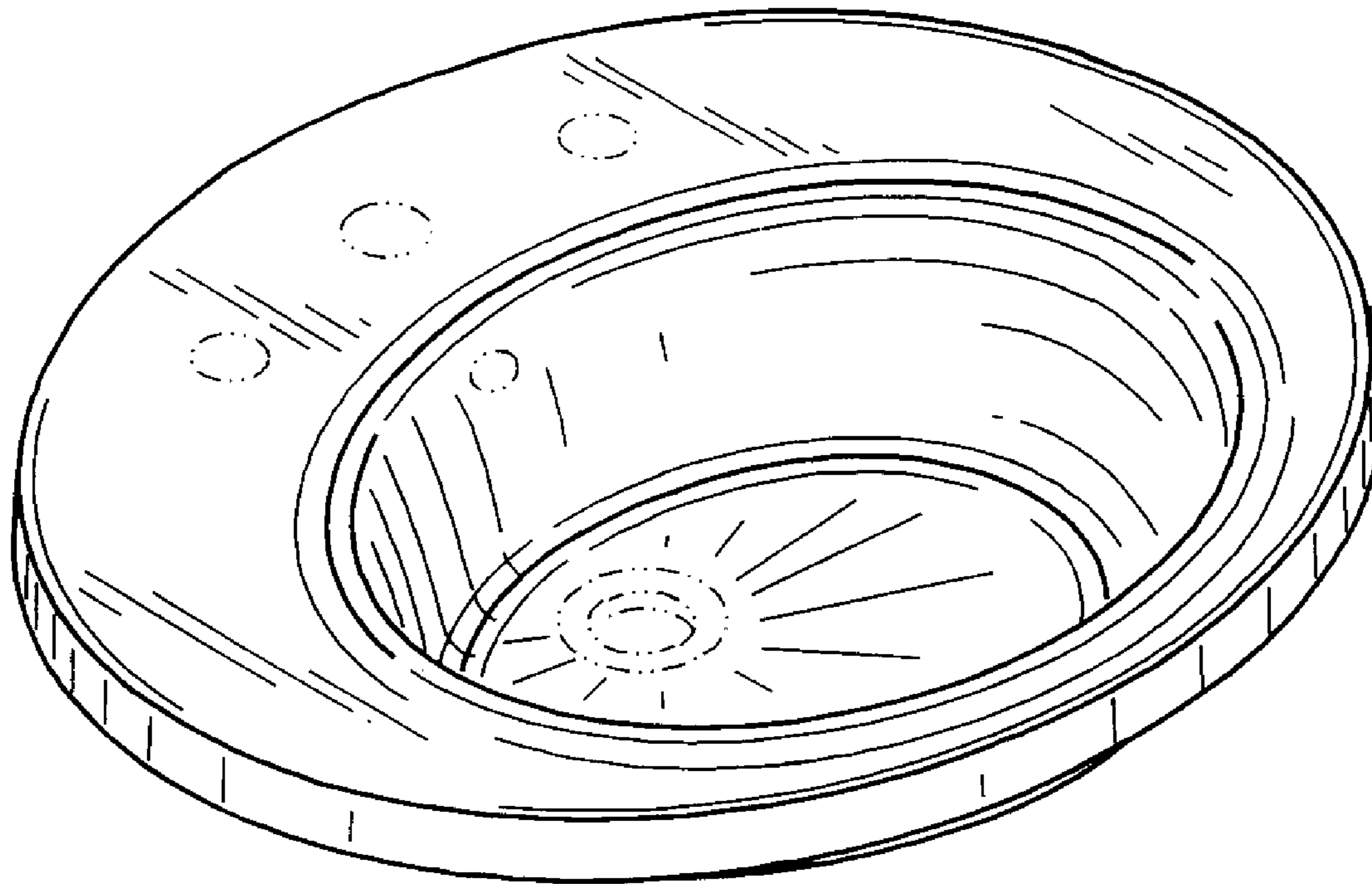
FIG. 3 is a front elevational view thereof;

FIG. 4 is a left side elevational view thereof, the right side elevational view thereof being a mirror image of the left side shown; and,

FIG. 5 is a bottom plan view thereof.

The broken line representations of a drain and drain channel structure in the figures and of holes in FIGS. 1-2 and 5 are for the purpose of illustration only, and form no part of the claimed design.

**1 Claim, 2 Drawing Sheets**



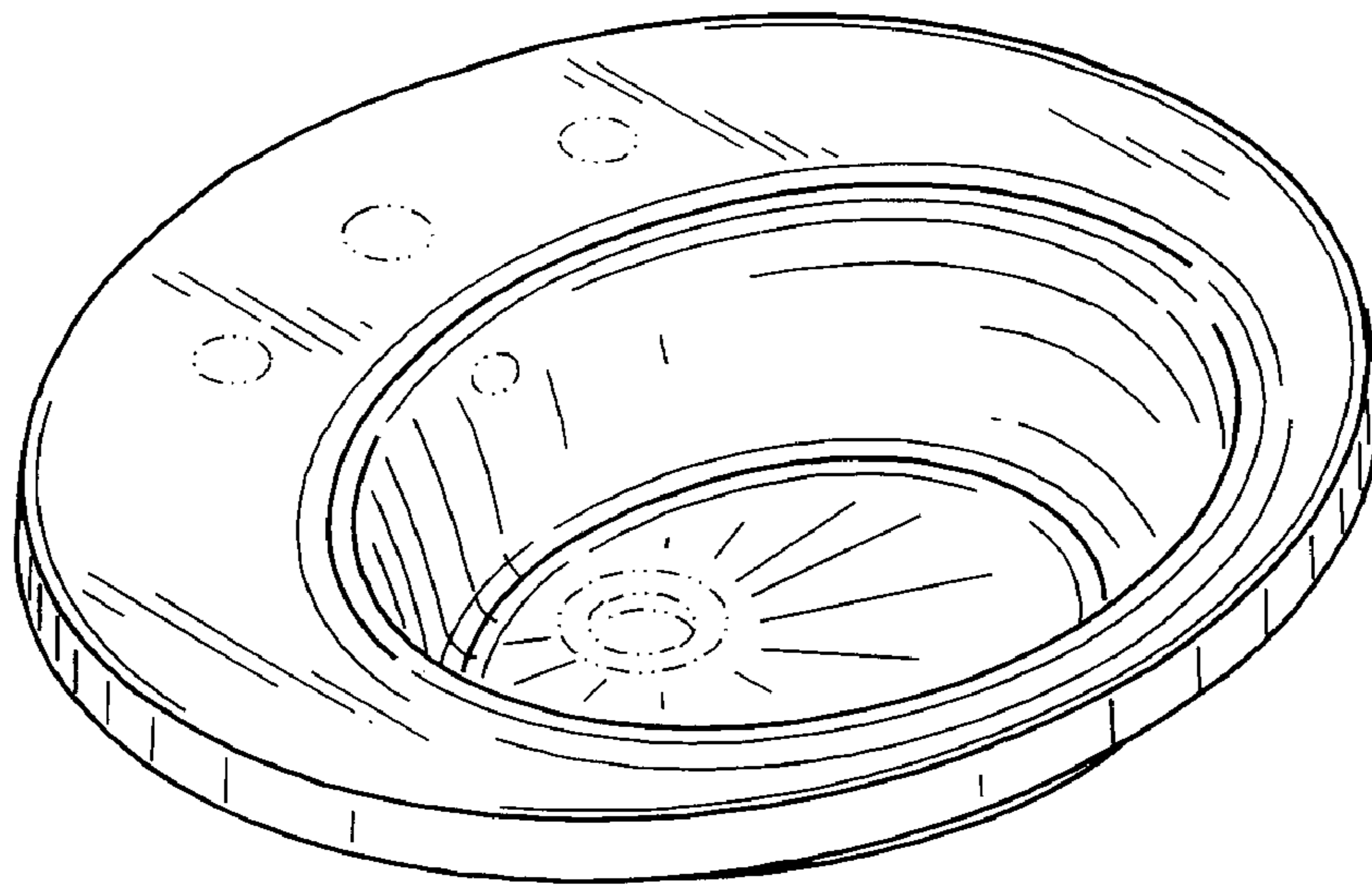


FIG. 1

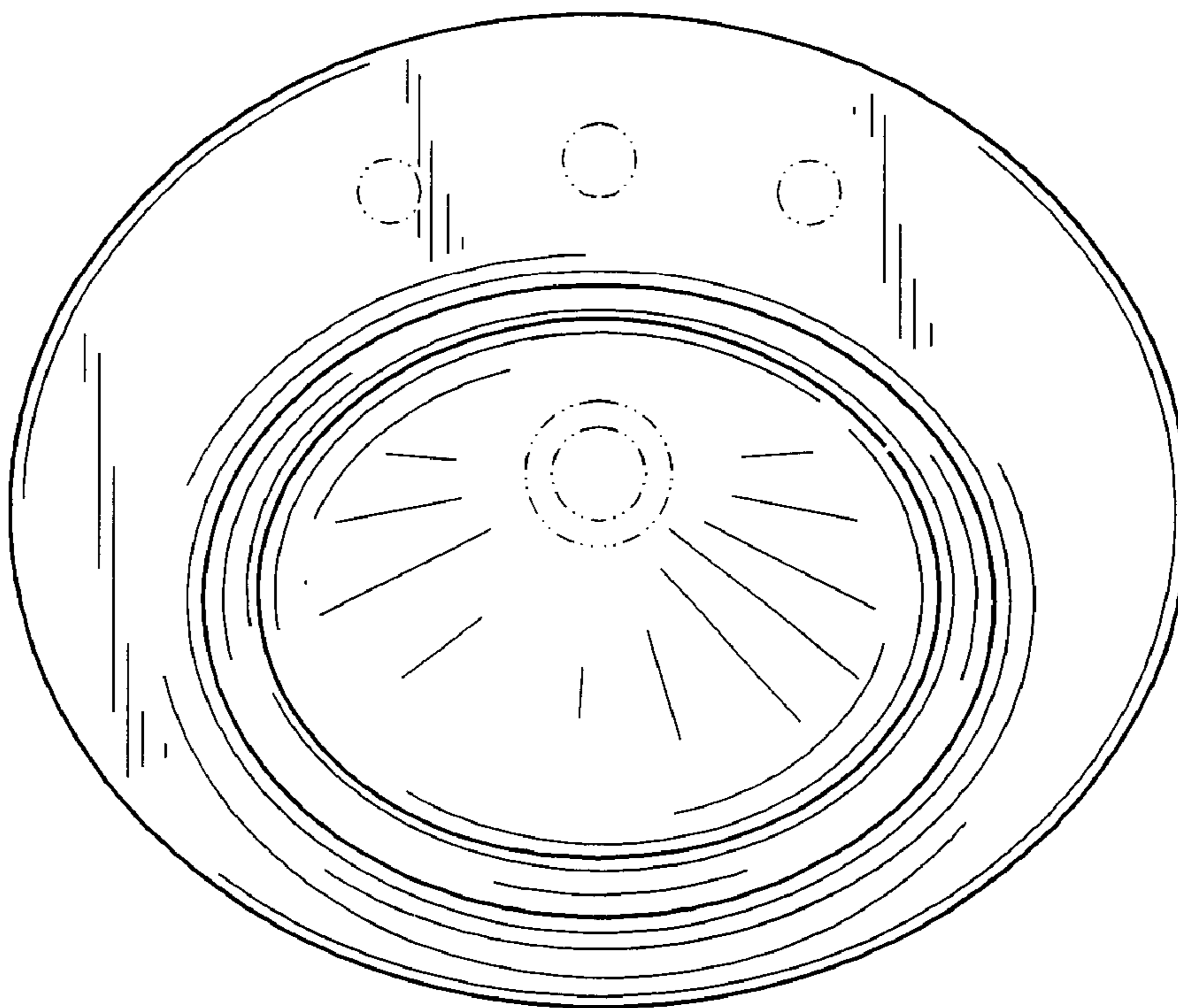


FIG. 2

FIG. 3

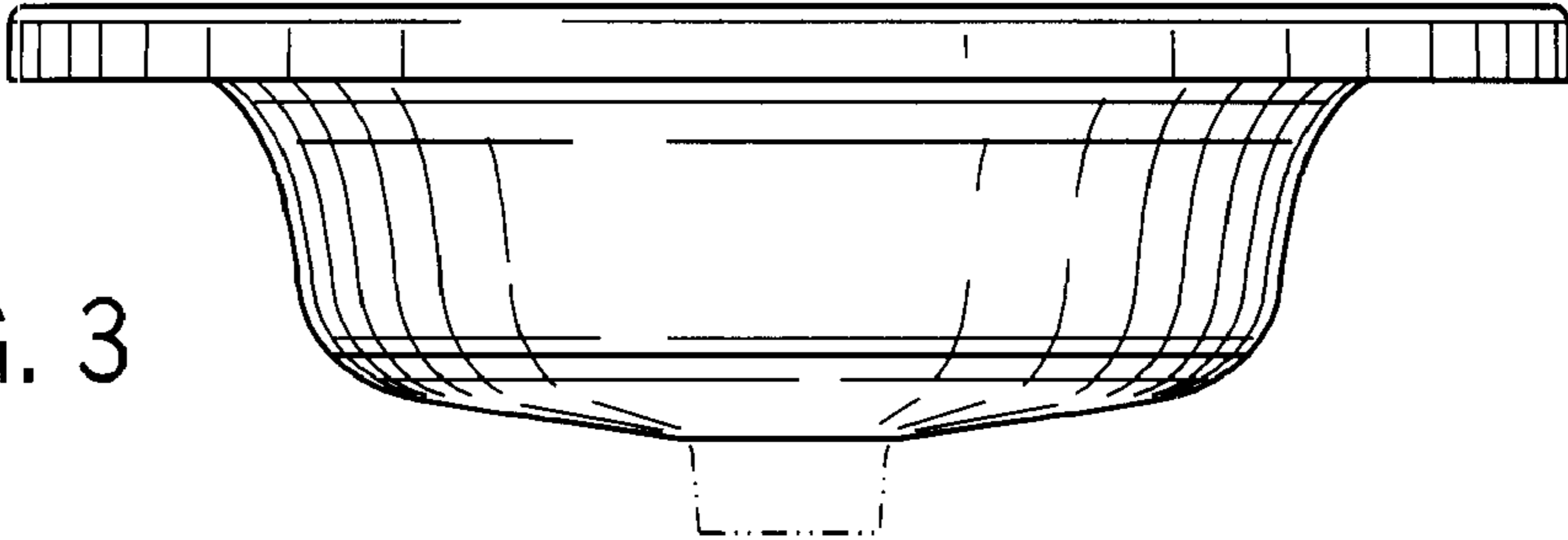


FIG. 4

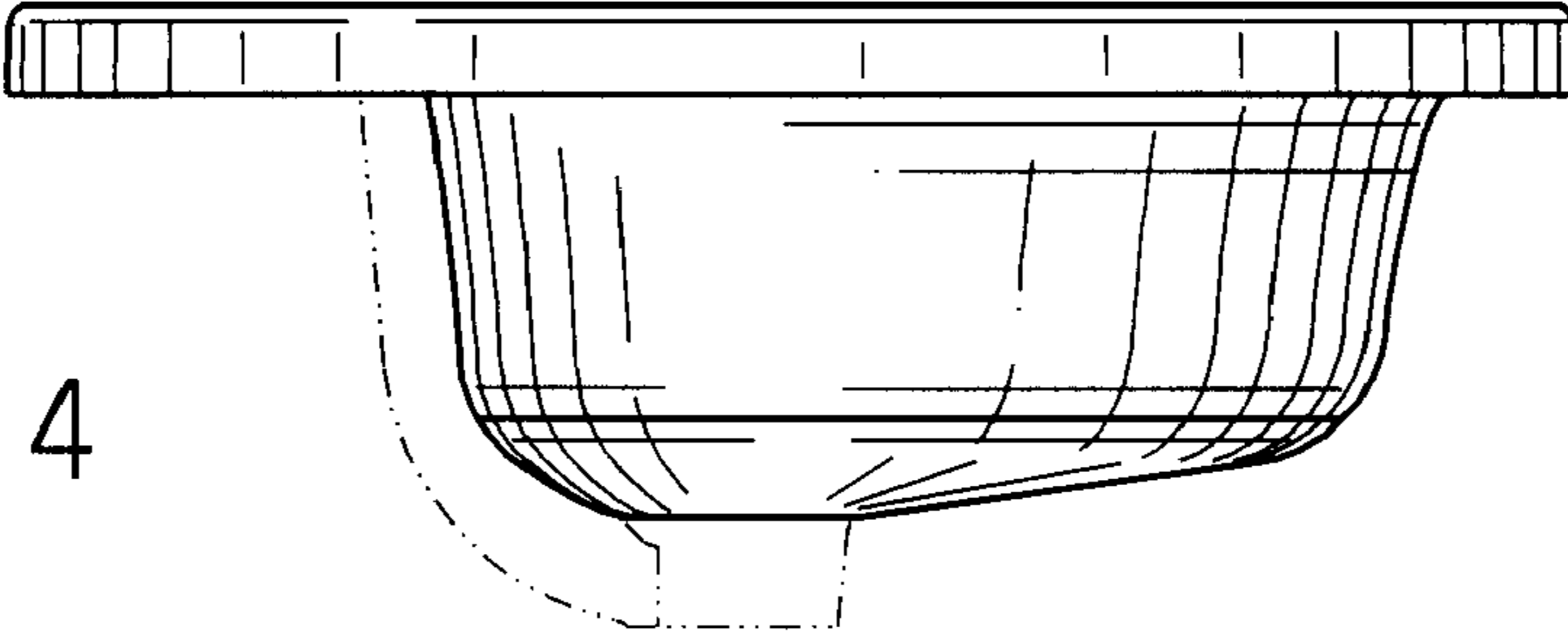


FIG. 5

