



US00D533645S

(12) **United States Design Patent**  
**Hwang**

(10) **Patent No.:** **US D533,645 S**

(45) **Date of Patent:** **\*\* Dec. 12, 2006**

(54) **STAND FOR A WASH BASIN**

D499,798 S \* 12/2004 Pan ..... D23/286  
D508,113 S \* 8/2005 Ng ..... D23/293.1

(75) Inventor: **Chi-Chao Hwang**, Changhua Hsien (TW)

\* cited by examiner

(73) Assignee: **Sheng Tai Brassware Co., Ltd.**, Changhua Hsien (TW)

*Primary Examiner*—Robert A. Delehanty  
(74) *Attorney, Agent, or Firm*—Charles E. Baxley

(\*\*) Term: **14 Years**

(57) **CLAIM**

The ornamental design for a stand for a wash basin, as shown and described.

(21) Appl. No.: **29/217,884**

(22) Filed: **Nov. 22, 2004**

**DESCRIPTION**

(51) **LOC (8) Cl.** ..... **23-02**

(52) **U.S. Cl.** ..... **D23/286**

(58) **Field of Classification Search** ..... D23/273,  
D23/284–287, 293.1, 303, 308; 4/619–620,  
4/624–625, 630–631, 661; 312/140.1–140.3,  
312/204, 228; D6/398, 432–434, 441, 445–448,  
D6/509–510

FIG. 1 is a perspective view of a stand for a wash basin, showing my new design;  
FIG. 2 is a front elevational view thereof;  
FIG. 3 is a rear elevational view thereof;  
FIG. 4 is a left side elevational view thereof;  
FIG. 5 is a right side elevational view thereof;  
FIG. 6 is a top plan view thereof;  
FIG. 7 is a bottom plan view thereof; and,  
FIG. 8 is a perspective view showing an embodiment of the claimed design, wherein the broken lines are shown for illustrative purposes only and form no part of the claimed design.

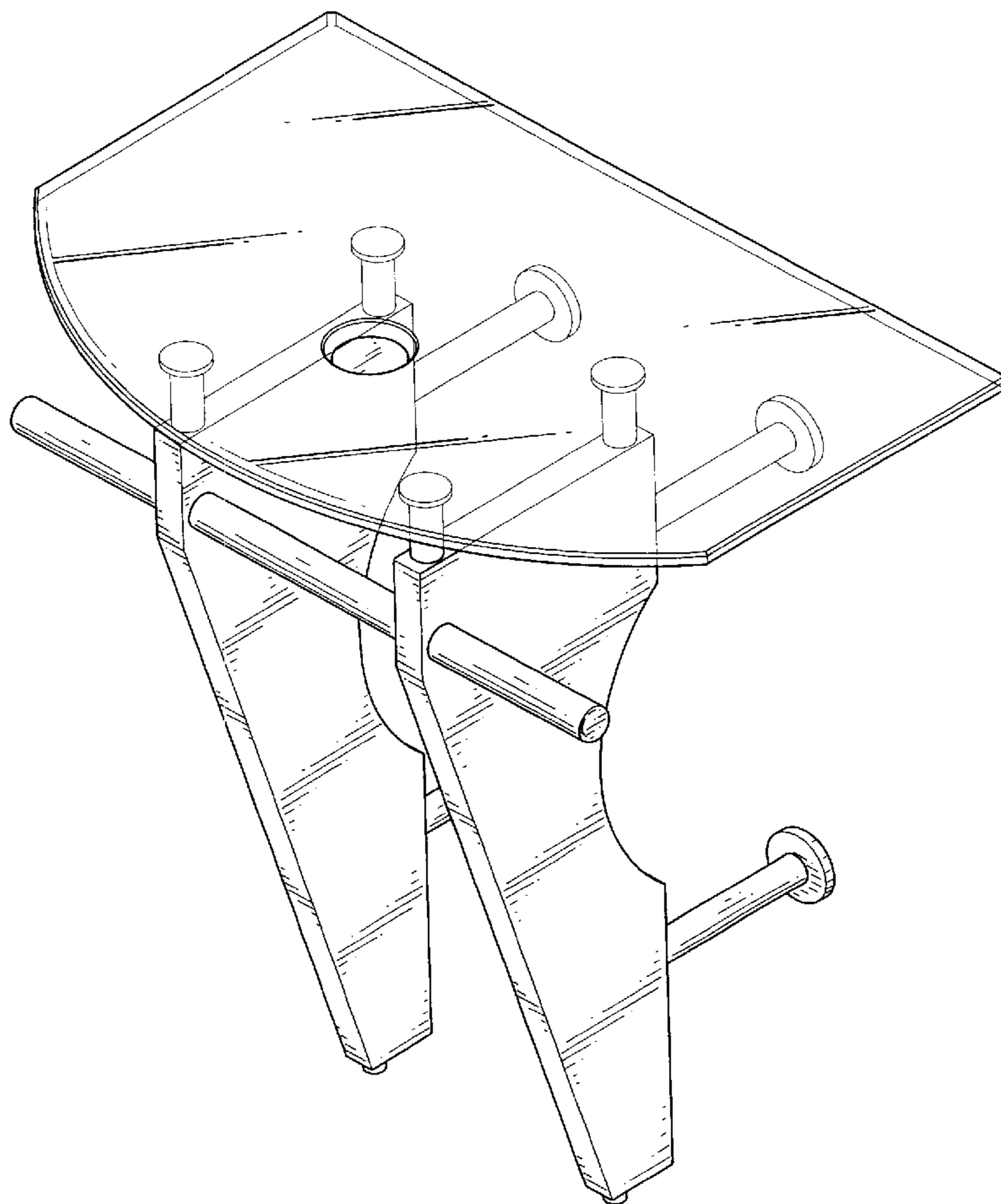
See application file for complete search history.

(56) **References Cited**

**U.S. PATENT DOCUMENTS**

D489,548 S \* 5/2004 Malizia ..... D6/477

**1 Claim, 5 Drawing Sheets**



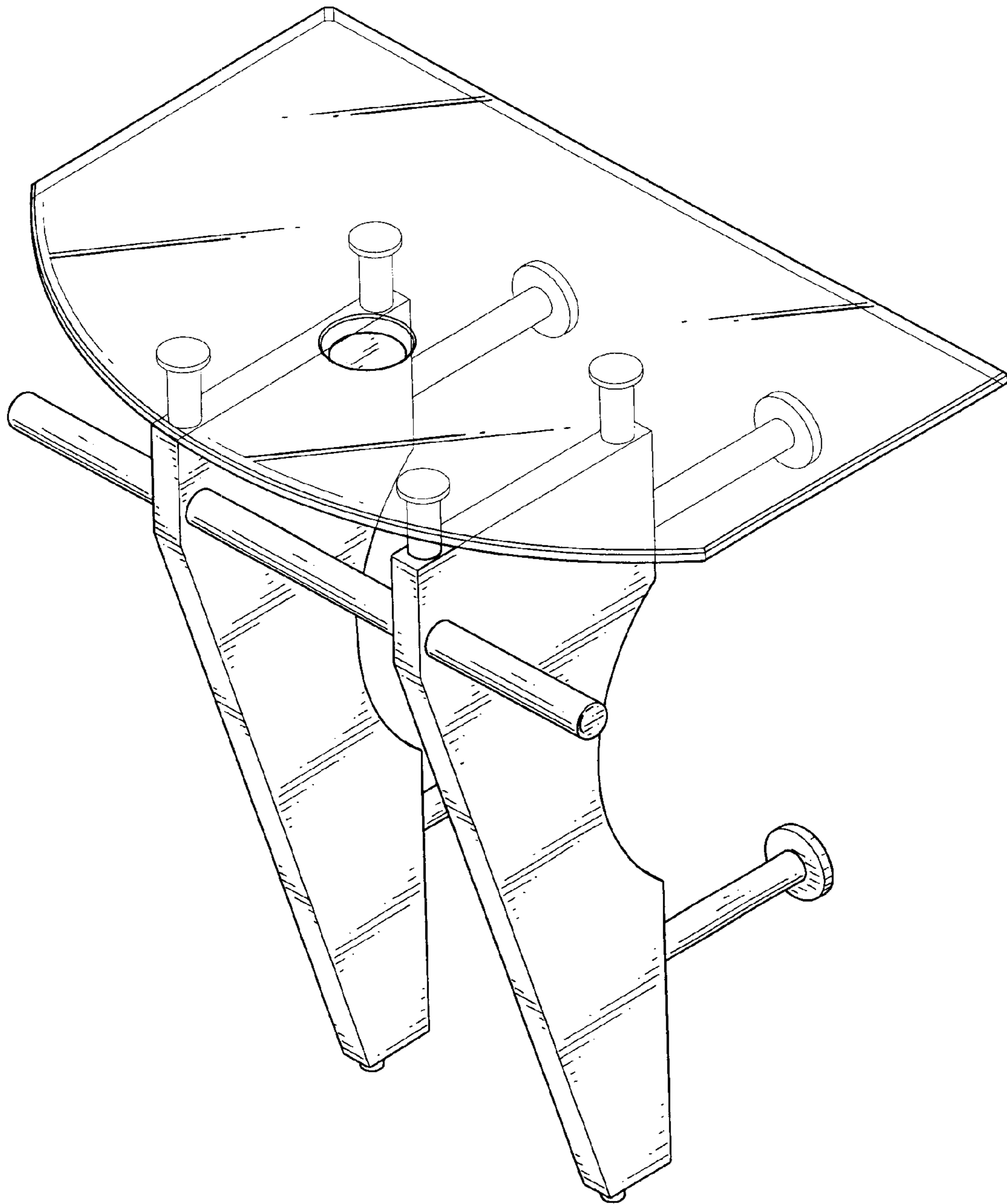


FIG. 1

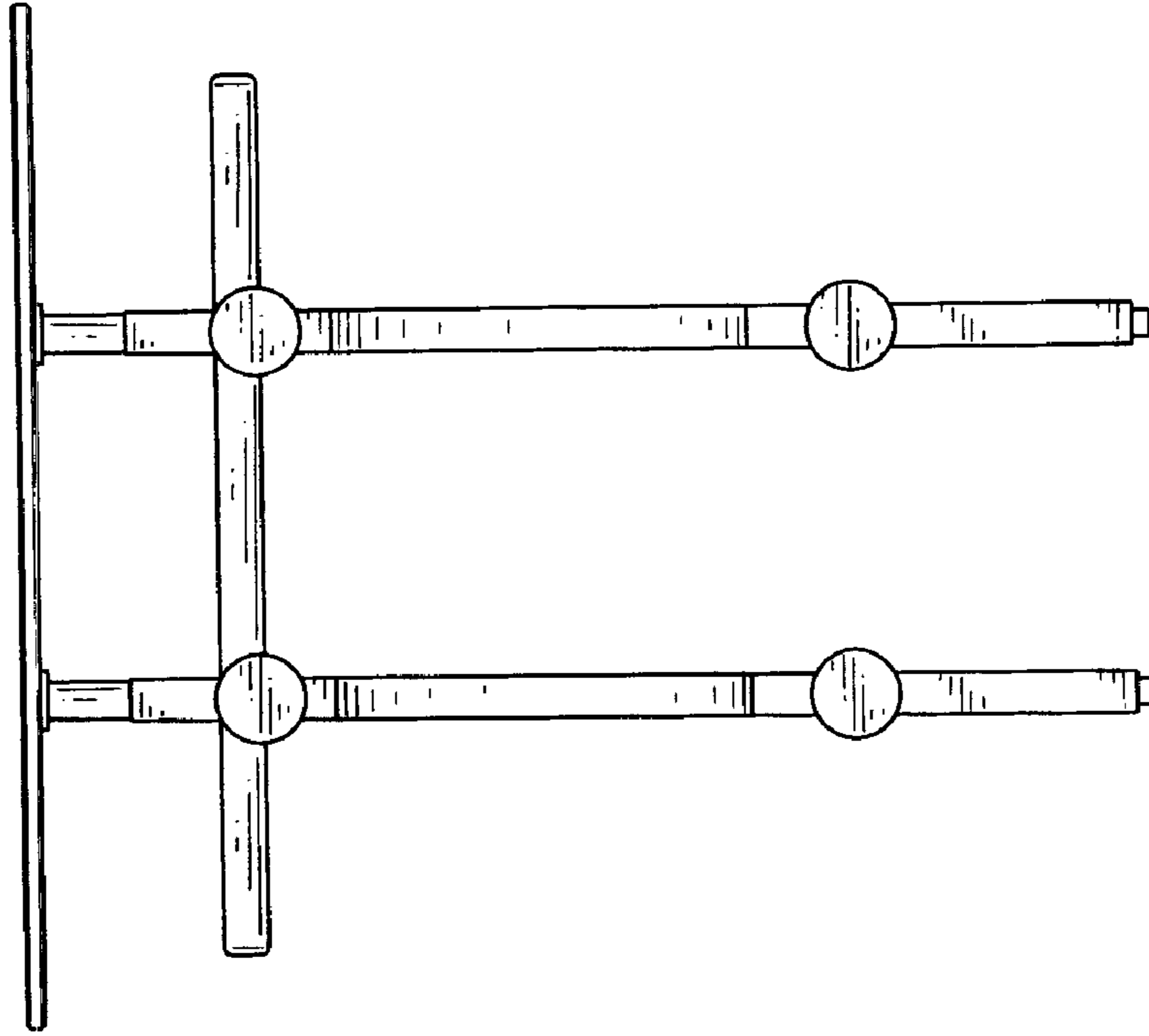


FIG.3

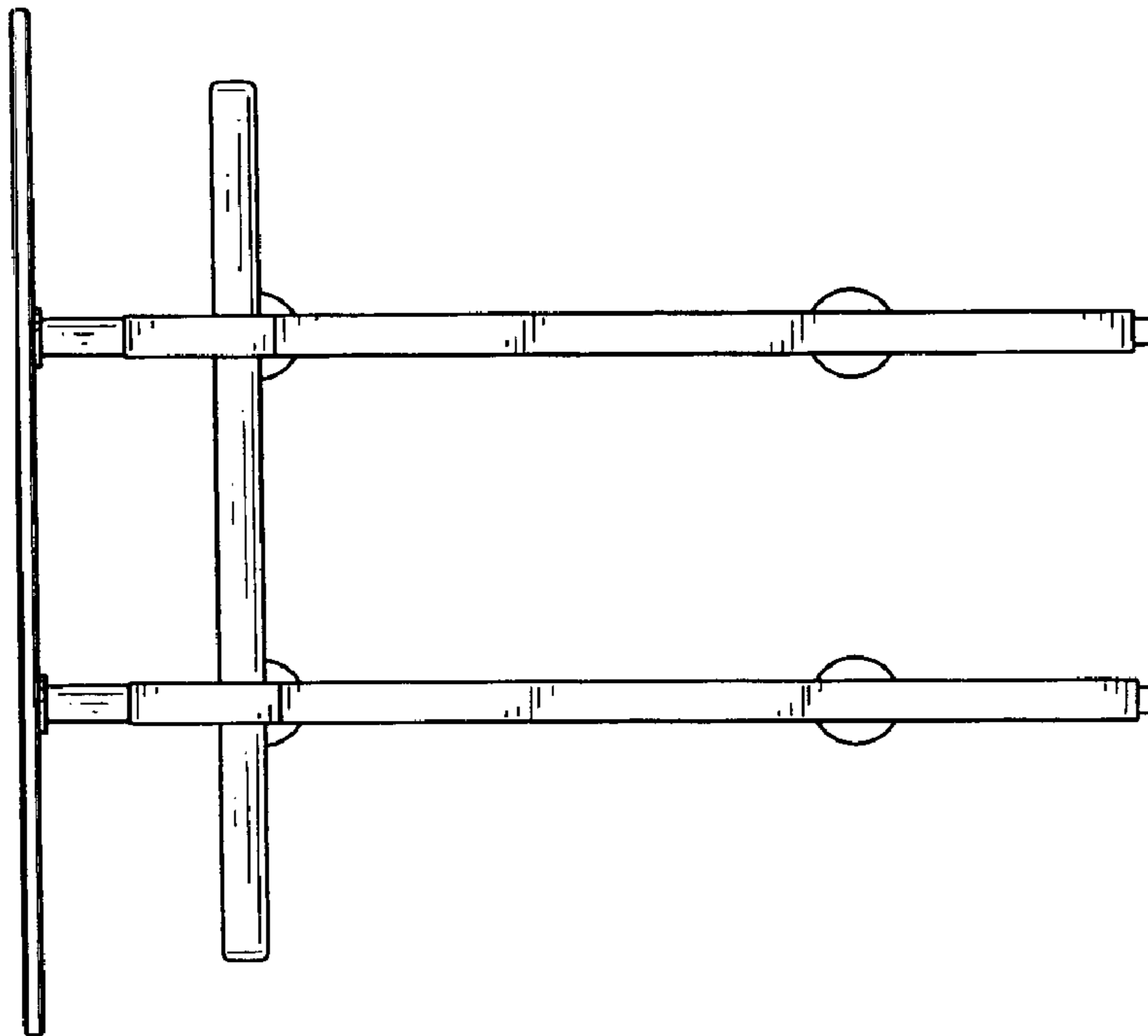


FIG.2

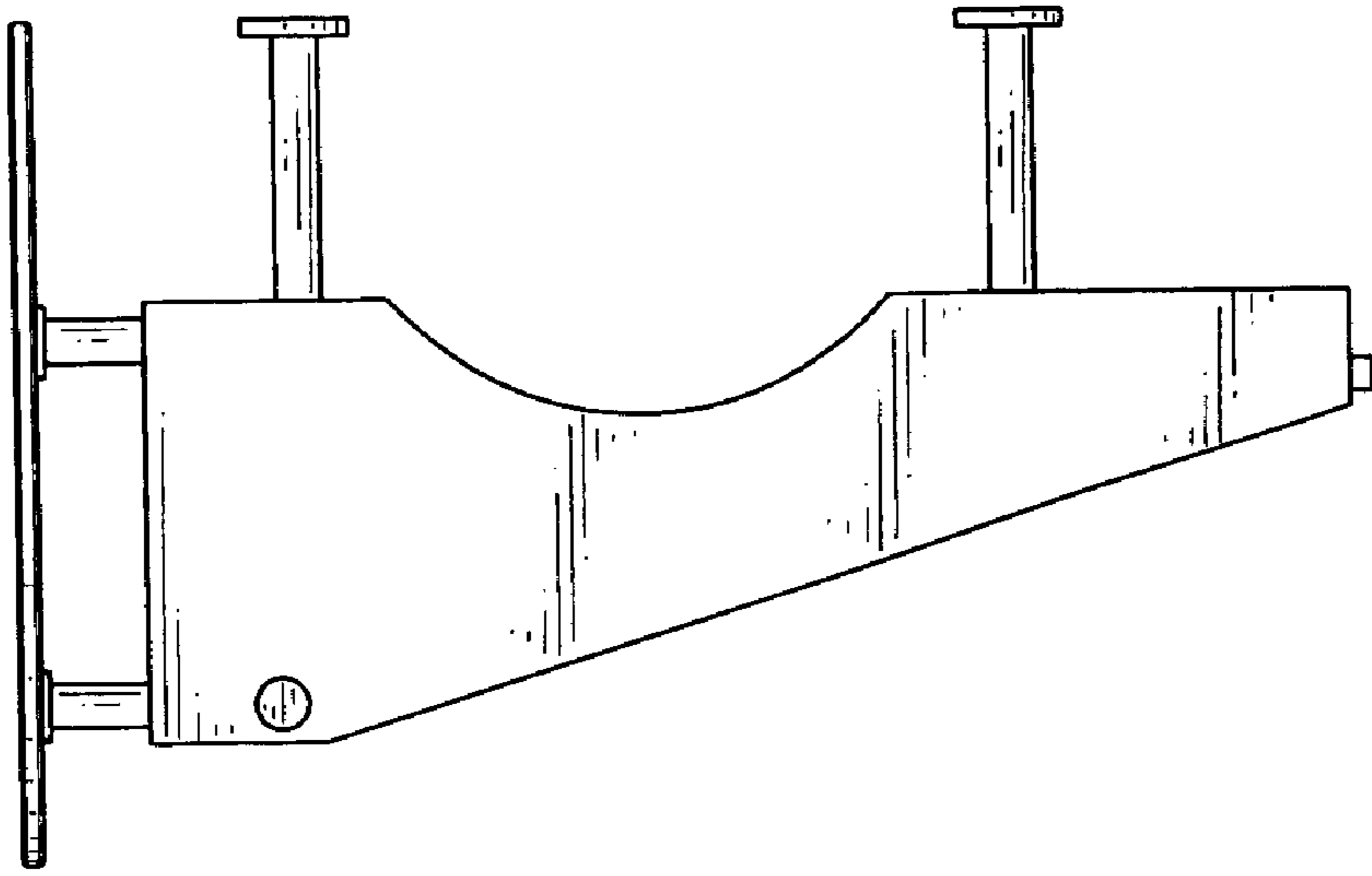


FIG.5

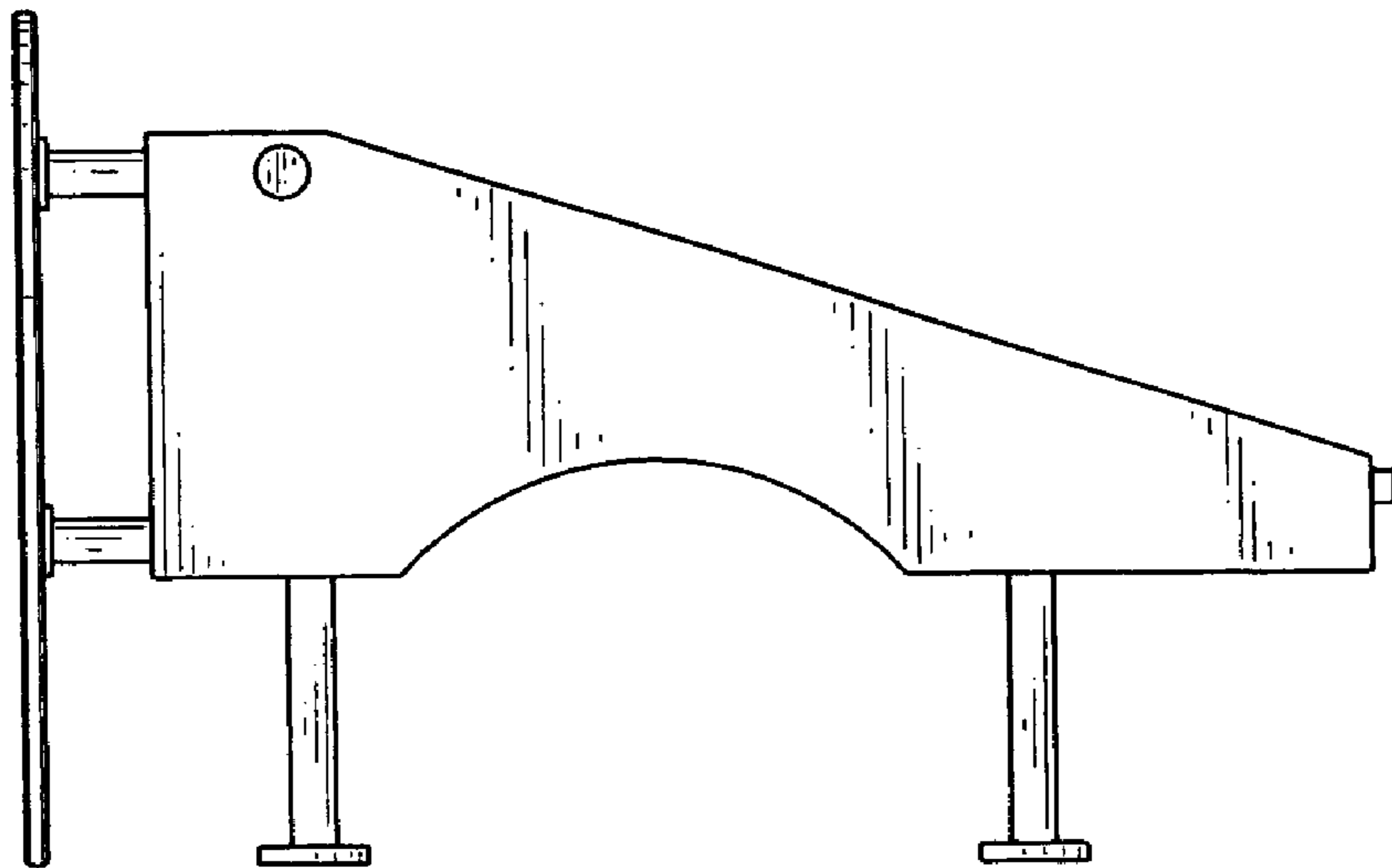


FIG.4

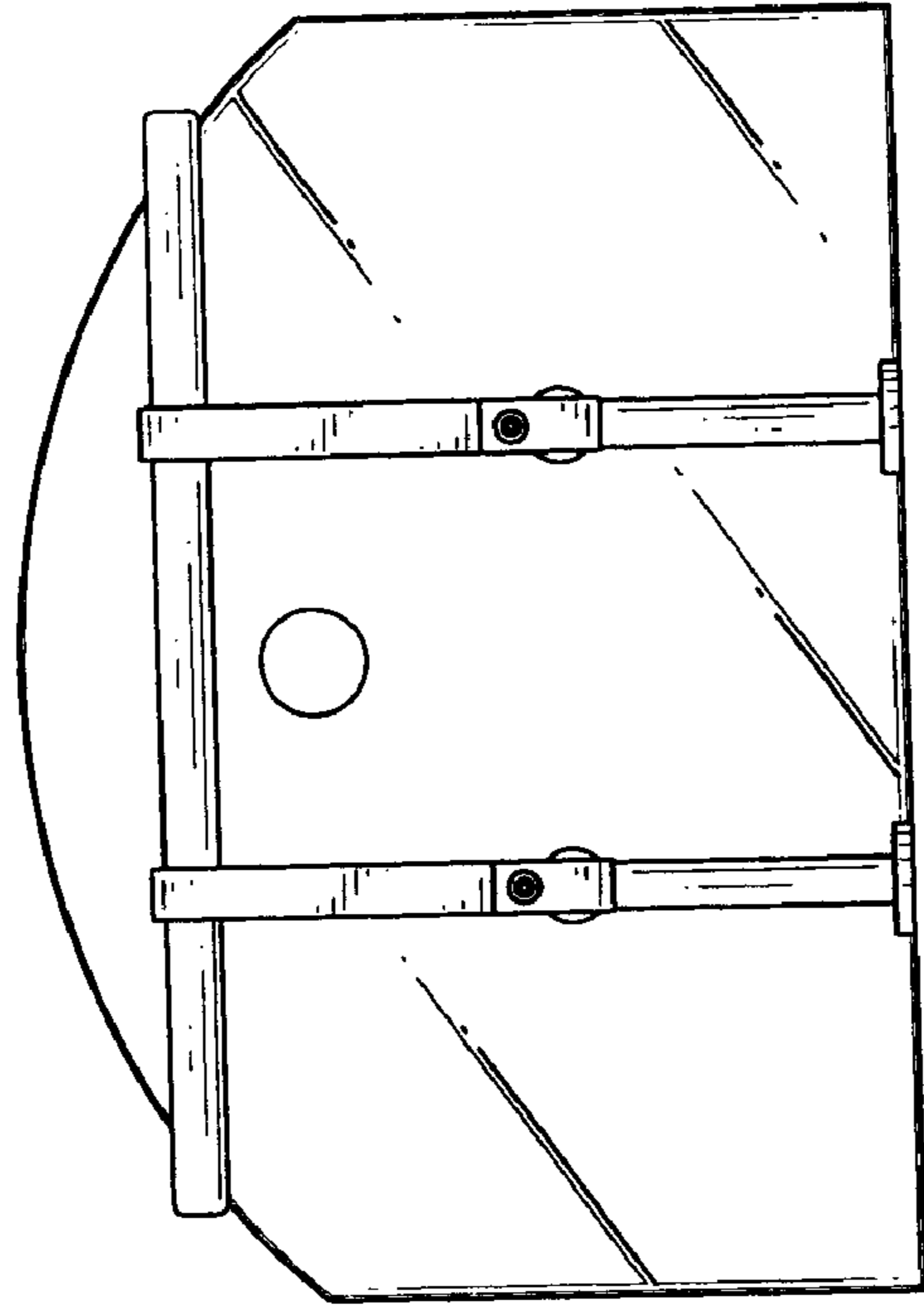


FIG. 7

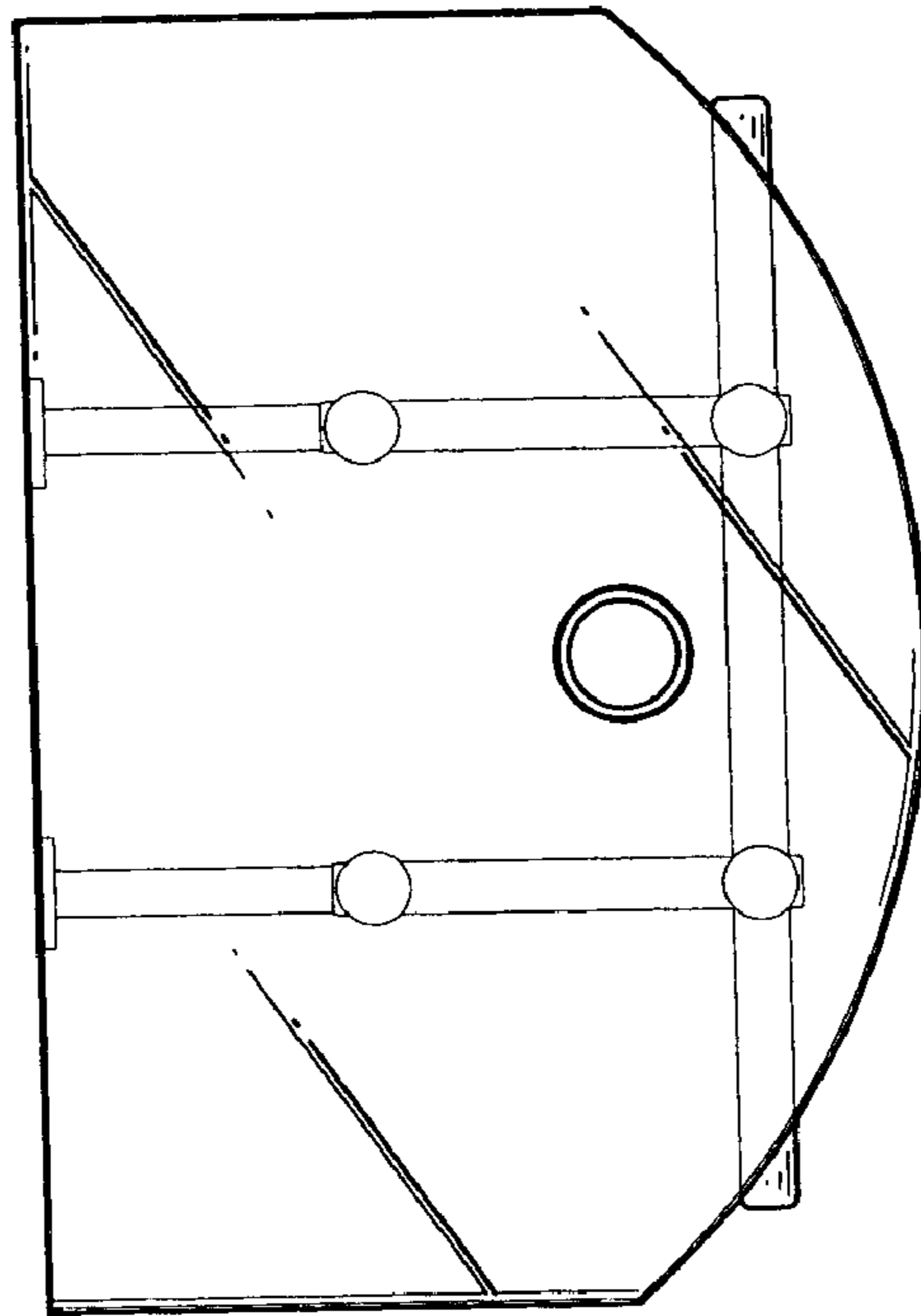


FIG. 6

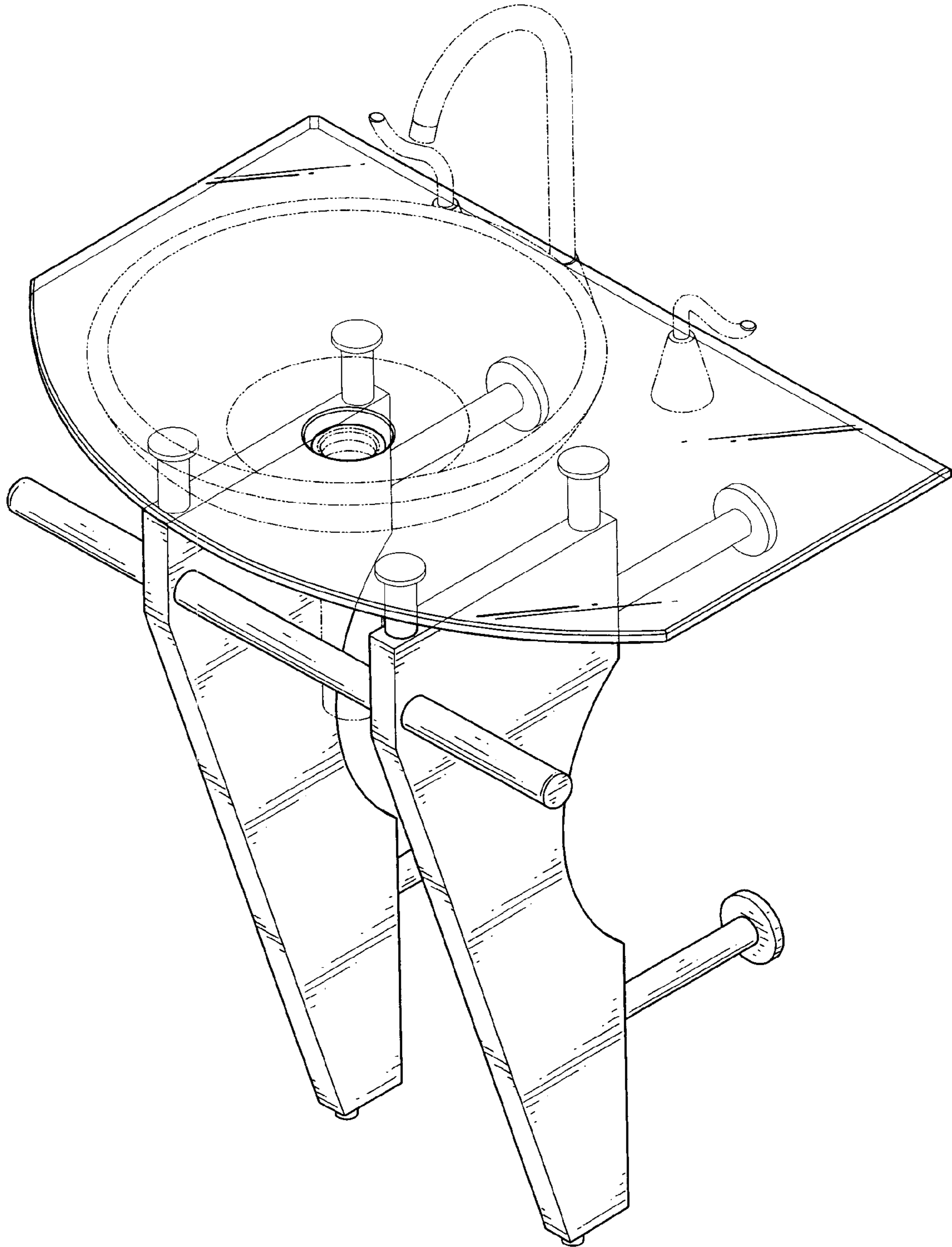


FIG.8