



US00D533644S

(12) **United States Design Patent**
Talocci

(10) **Patent No.:** **US D533,644 S**

(45) **Date of Patent:** **** Dec. 12, 2006**

(54) **BATH TUB**

(75) Inventor: **Giovanna Talocci**, Rome (IT)

(73) Assignee: **Teuco Guzzini S.p.A.**, Montelupone (IT)

(**) Term: **14 Years**

(21) Appl. No.: **29/224,182**

(22) Filed: **Feb. 25, 2005**

(30) **Foreign Application Priority Data**

Aug. 27, 2004 (EM) 000219639

(51) **LOC (8) Cl.** **23-02**

(52) **U.S. Cl.** **D23/277**

(58) **Field of Classification Search** D23/273,
D23/276-277, 280.1-280.3, 303-305; 4/538,
4/584; D24/204-205; D6/596, 601
See application file for complete search history.

(56) **References Cited**

U.S. PATENT DOCUMENTS

- D142,685 S * 10/1945 Zinkel D6/596
- D196,290 S * 9/1963 King D23/283
- D214,893 S * 8/1969 Wheeler, Jr. D23/308

- D227,100 S * 6/1973 Weiss D23/277
- D233,343 S * 10/1974 Irvine D23/280.1
- D237,183 S * 10/1975 Bonsack D23/280.1
- D274,455 S * 6/1984 Cuttriss D23/280.1
- D320,715 S * 10/1991 Magnin et al. D6/601
- D321,245 S * 10/1991 Delepine D23/280.1
- D321,923 S * 11/1991 Ross D24/204
- D354,805 S * 1/1995 Bowen et al. D6/601
- D394,493 S * 5/1998 Zeidner D23/277

* cited by examiner

Primary Examiner—Robert A. Delehanty

(74) *Attorney, Agent, or Firm*—McCarter & English, LLP

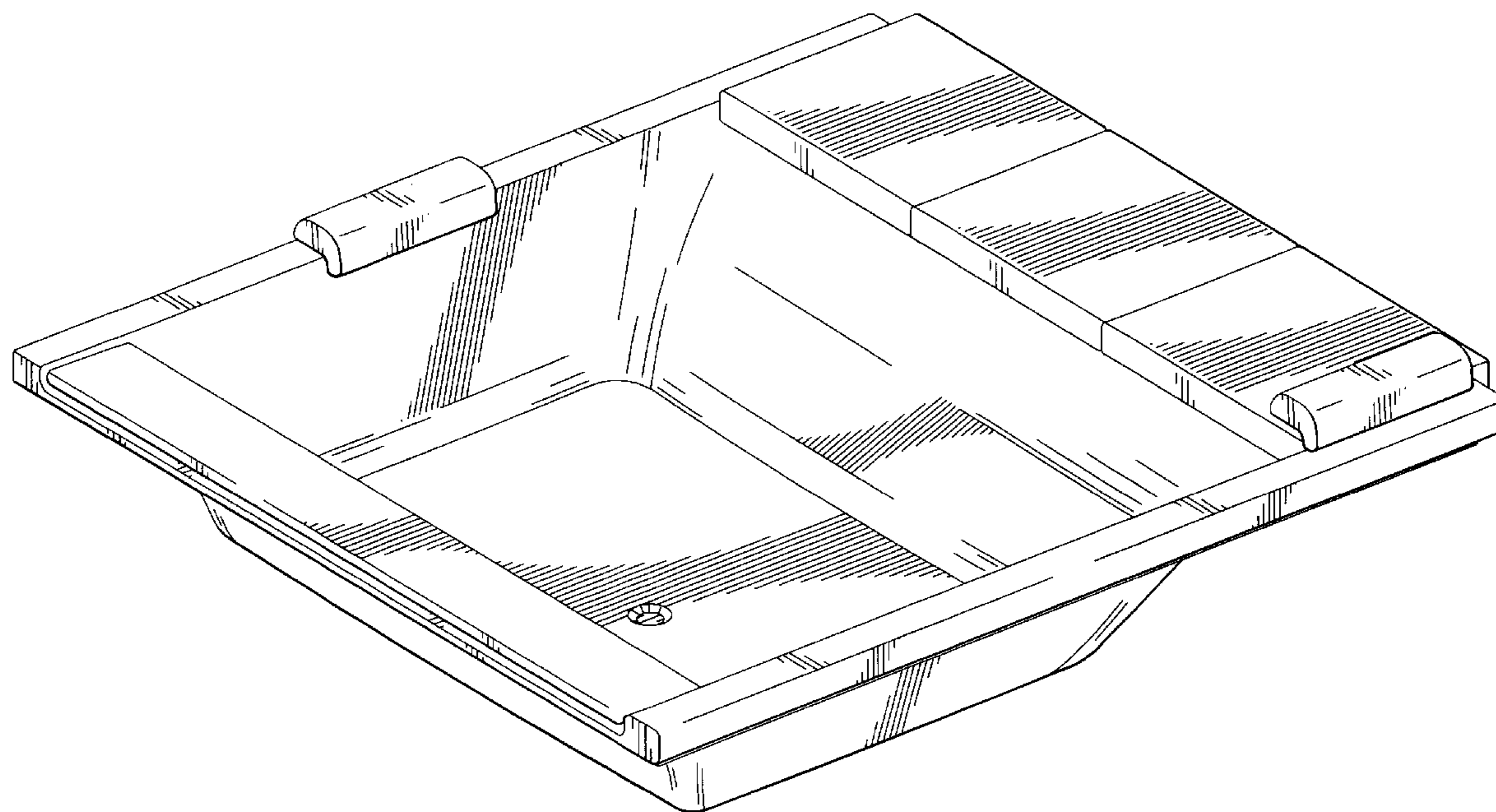
(57) **CLAIM**

The ornamental design for bath tub, as shown.

DESCRIPTION

FIG. 1 is a perspective view of a bath tub, according to my new design;
FIG. 2 is a front plan view thereof;
FIG. 3 is a right side view thereof;
FIG. 4 is a left side view thereof;
FIG. 5 is a rear plan view thereof;
FIG. 6 is a top view thereof; and,
FIG. 7 is a bottom view thereof.

1 Claim, 5 Drawing Sheets



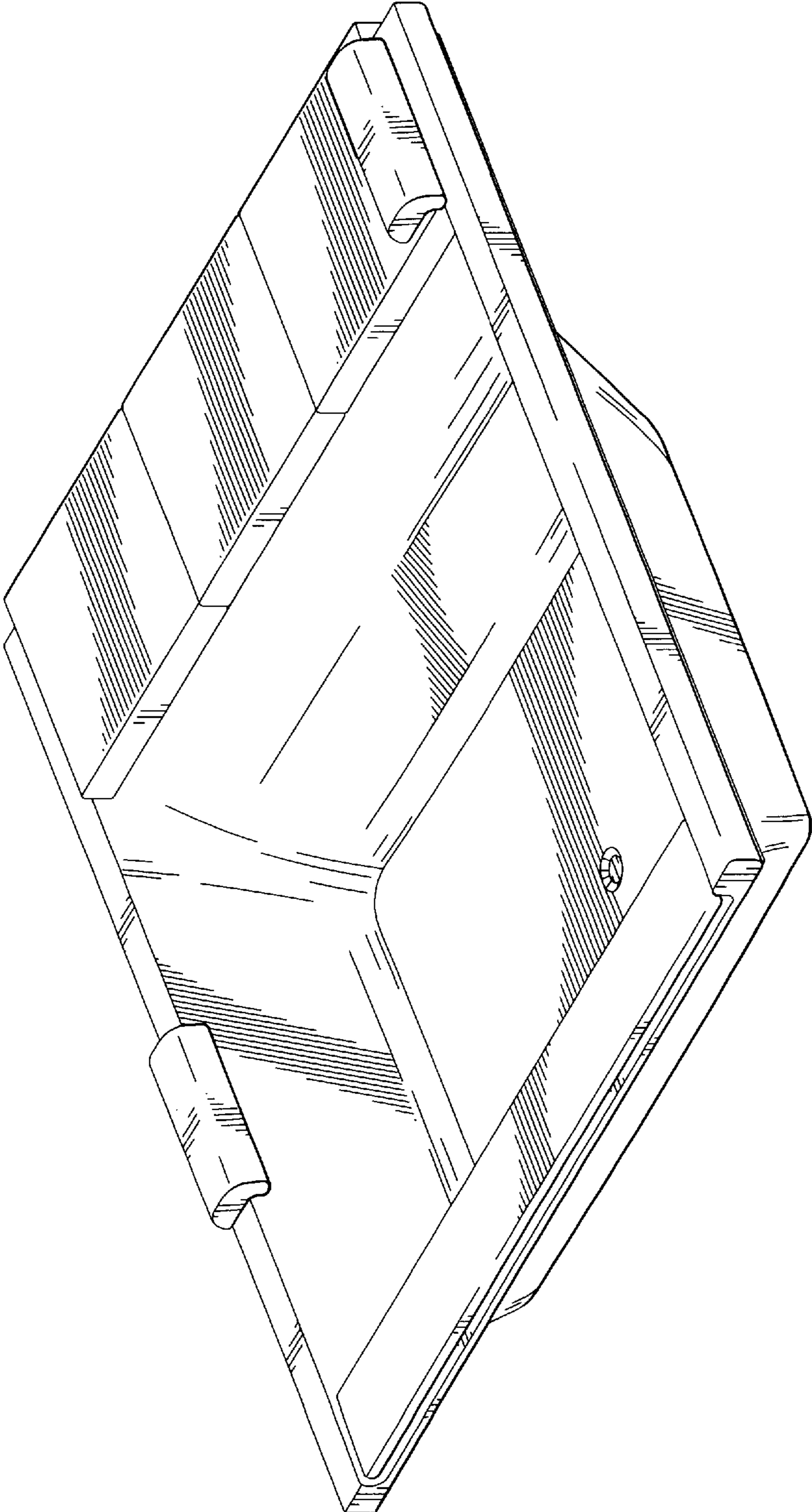


FIG. 1

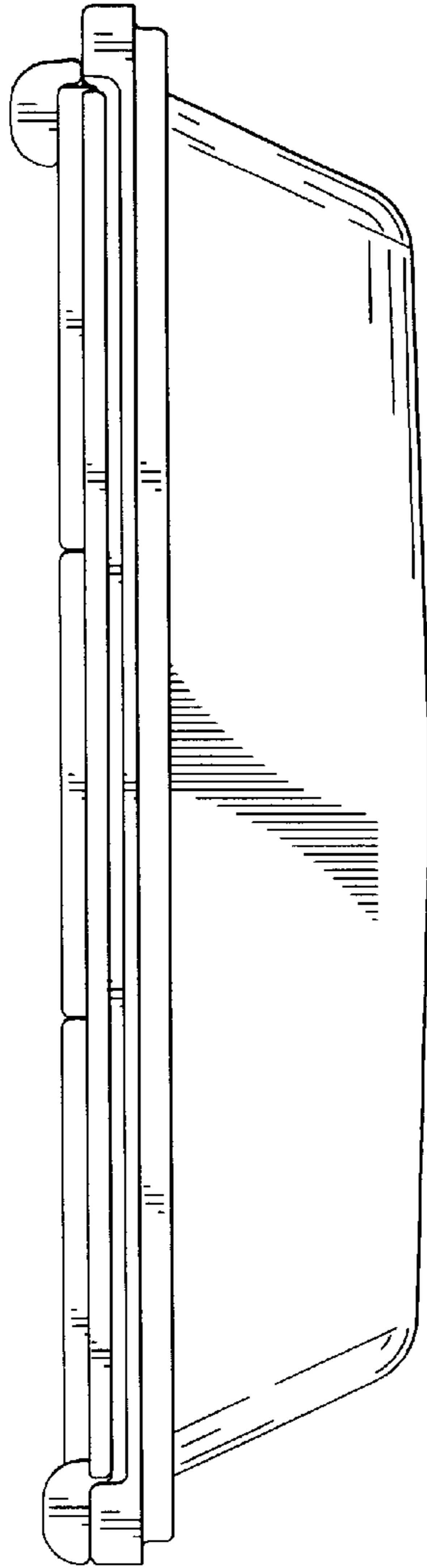


FIG. 2

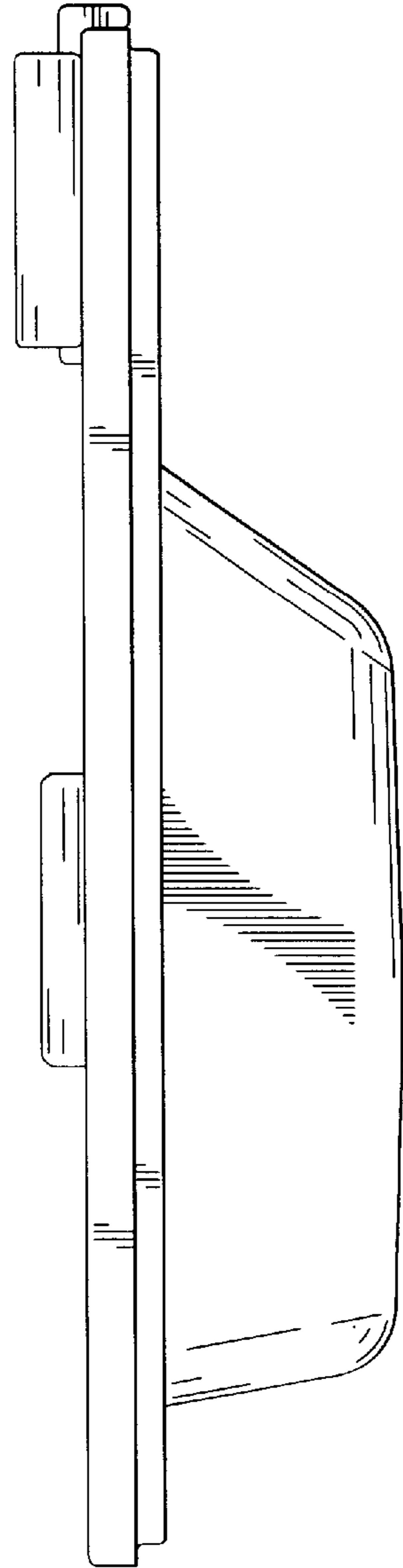


FIG. 3

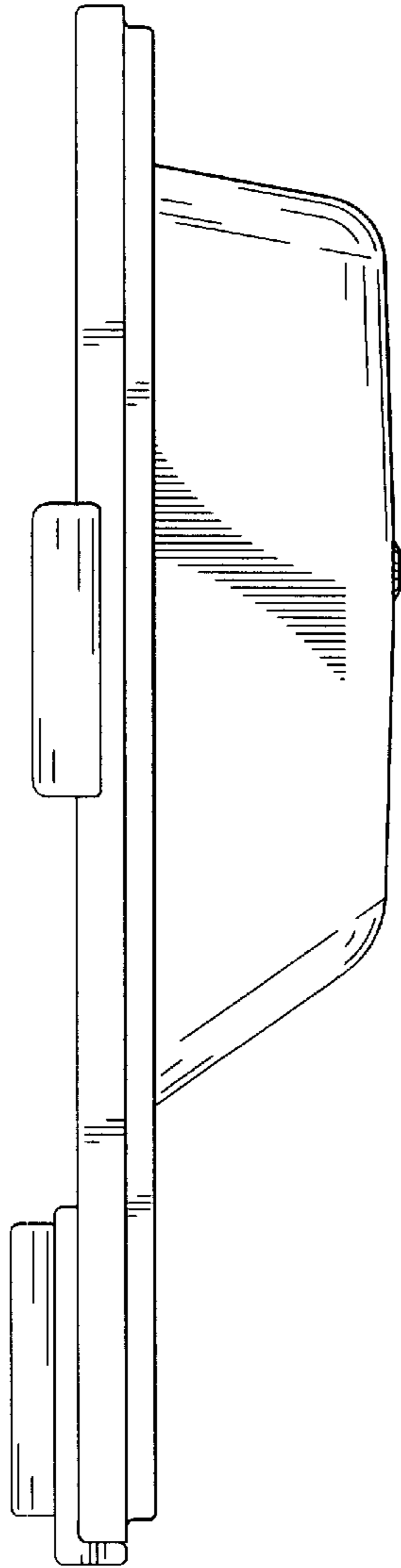


FIG. 4

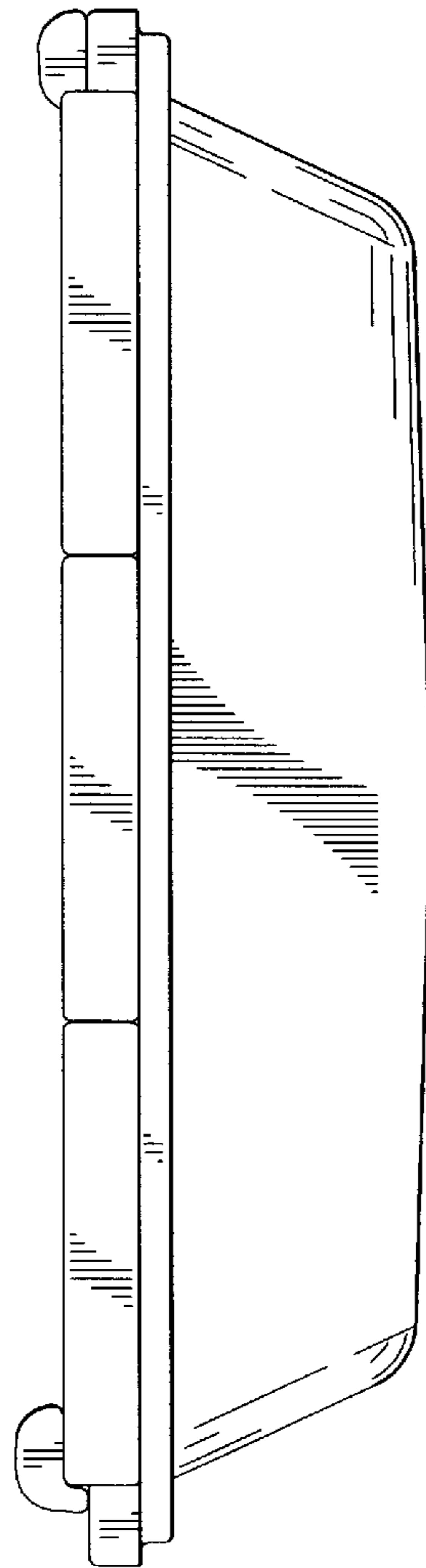


FIG. 5

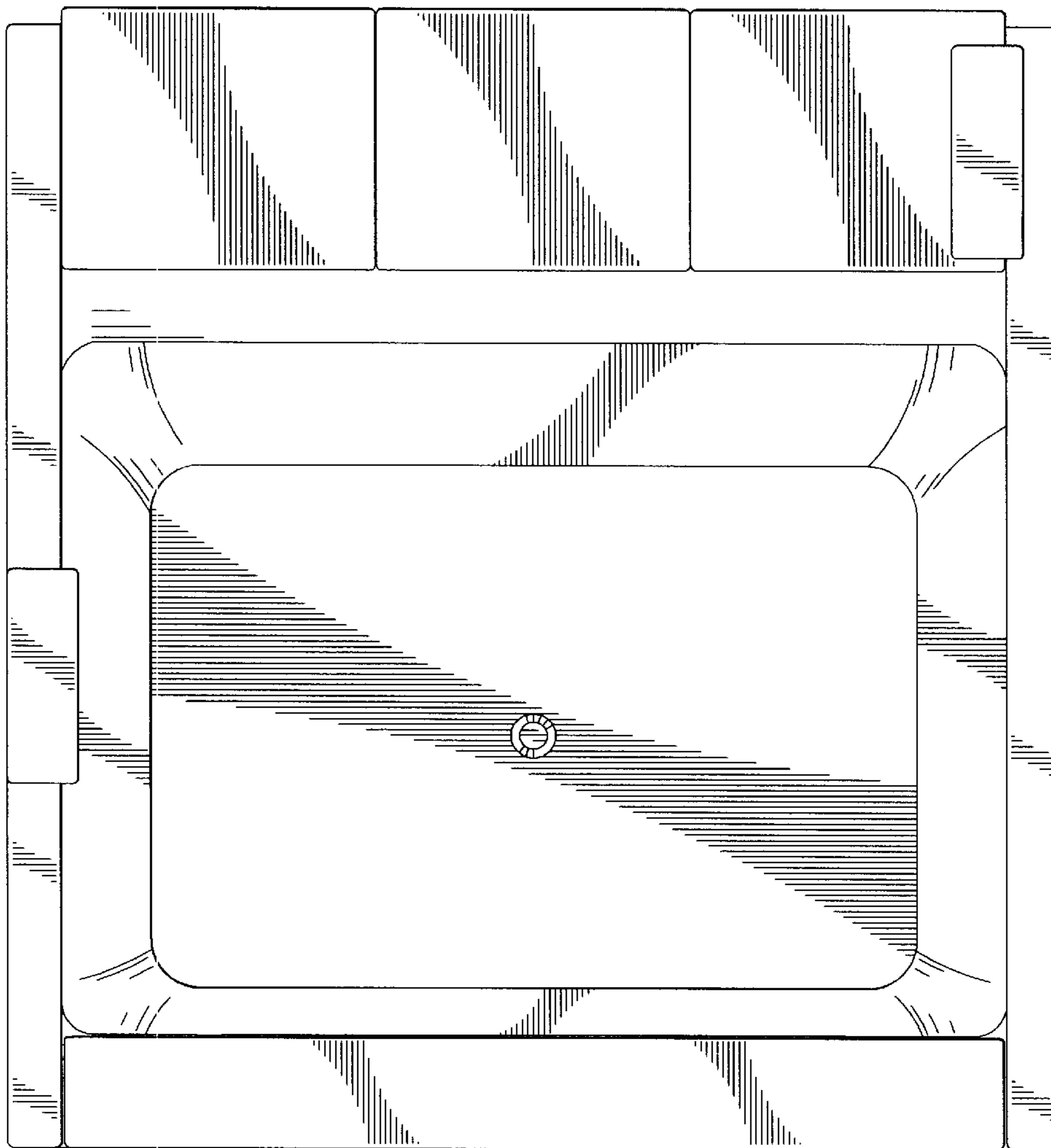


FIG. 6

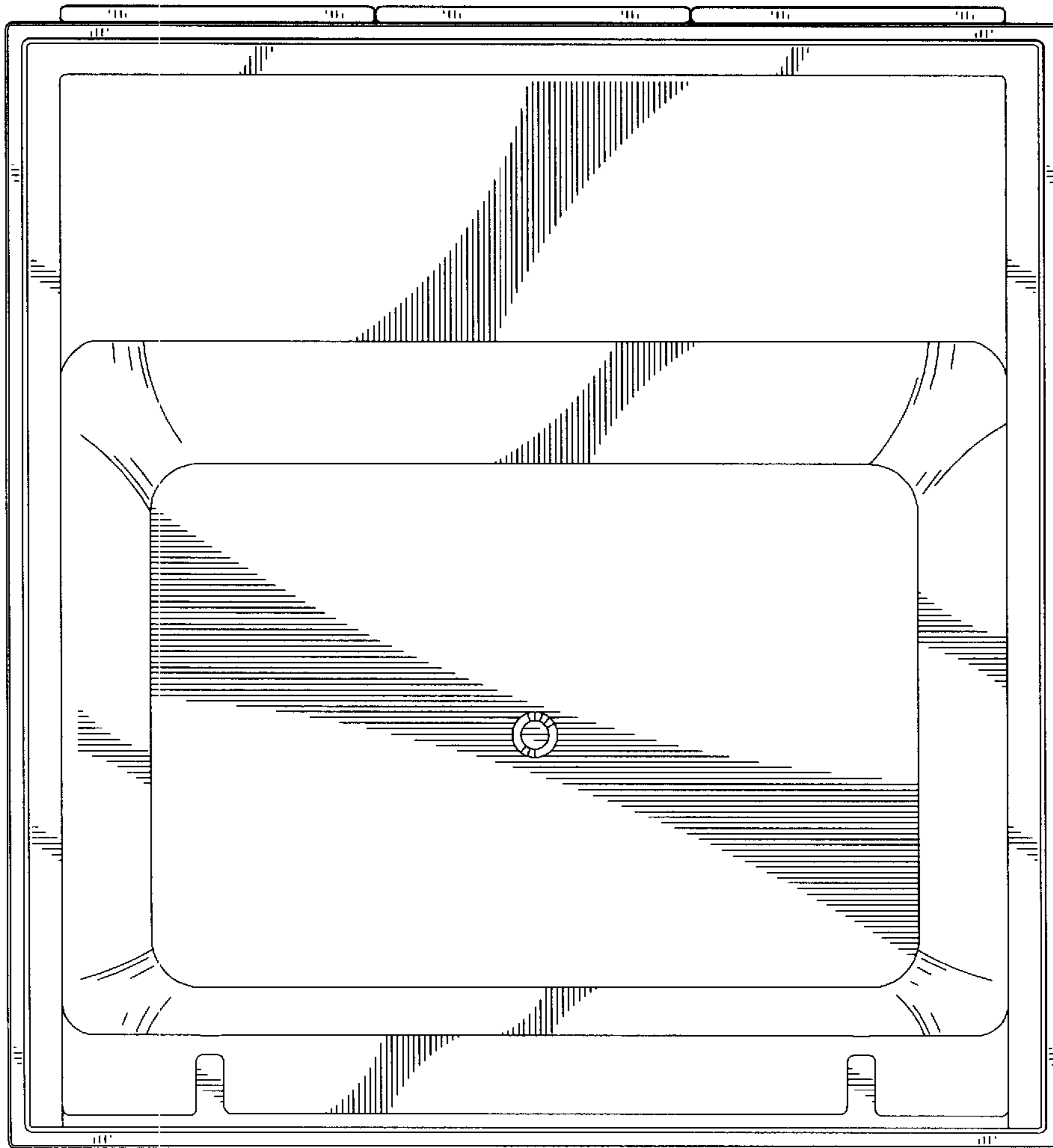


FIG. 7