



US00D533641S

(12) **United States Design Patent** (10) **Patent No.:** **US D533,641 S**  
**Singtoroj** (45) **Date of Patent:** **\*\* Dec. 12, 2006**

(54) **SIDE SPRAY COLLAR**  
(75) Inventor: **Yos Singtoroj**, Anaheim, CA (US)  
(73) Assignee: **Newfrey LLC**, Newark, DE (US)  
(\*\*) Term: **14 Years**  
(21) Appl. No.: **29/220,583**  
(22) Filed: **Jan. 3, 2005**  
(51) **LOC (8) Cl.** ..... **23-01**  
(52) **U.S. Cl.** ..... **D23/249**  
(58) **Field of Classification Search** ..... D23/213,  
D23/223-226, 233-237, 244-250; D26/118,  
D26/128, 135; D28/91.1; D9/454, 503, 504,  
D9/529, 686-694, 682; 222/1, 153.11, 321.7,  
222/321.8, 321.9, 386  
See application file for complete search history.

D318,714 S 7/1991 Spangler  
D318,717 S 7/1991 Spangler  
D318,906 S 8/1991 Spangler  
D320,434 S 10/1991 Rawald  
D321,039 S 10/1991 Robbins  
D325,426 S 4/1992 Paul  
D325,427 S 4/1992 Paul  
D325,772 S 4/1992 Carr  
D325,773 S 4/1992 Paul  
D326,504 S 5/1992 Robbins  
D327,531 S 6/1992 Ko  
D327,532 S 6/1992 Ko  
D332,135 S 12/1992 Bonnell  
D334,230 S 3/1993 Bonnell  
D340,968 S 11/1993 McKeone et al.  
D347,268 S 5/1994 Paul  
D348,307 S 6/1994 Gottwald  
D349,155 S 7/1994 McKeone et al.  
D350,390 S 9/1994 Bollenbacher  
D352,767 S 11/1994 McKeone

(Continued)

(56) **References Cited**  
U.S. PATENT DOCUMENTS

D40,106 S 6/1909 Yacobian  
D76,995 S 11/1928 Fraser  
D83,923 S 4/1931 Sakier  
D87,829 S 9/1932 Ferguson  
D87,830 S 9/1932 Ferguson  
D186,012 S 8/1959 Sosnick  
D266,348 S 9/1982 Piesco  
D277,537 S 2/1985 Merl et al.  
D287,395 S 12/1986 Piesco  
D287,747 S 1/1987 Miller et al.  
D295,550 S 5/1988 Yost  
D295,551 S 5/1988 Yost  
D297,758 S 9/1988 Paul  
D299,852 S 2/1989 Paul  
D299,853 S 2/1989 Paul  
D299,854 S 2/1989 Paul  
D301,919 S 6/1989 Paul  
D302,202 S 7/1989 Paul  
D302,582 S 8/1989 Paul  
D302,849 S 8/1989 Kohler, Jr. et al.  
D312,681 S 12/1990 Kohler, Jr. et al.  
D316,747 S 5/1991 Fleischmann  
D318,099 S 7/1991 Reid et al.

*Primary Examiner*—Ian Simmons  
*Assistant Examiner*—Maurice Stevens  
(74) *Attorney, Agent, or Firm*—Richard J. Veltman; John D. DelPonti

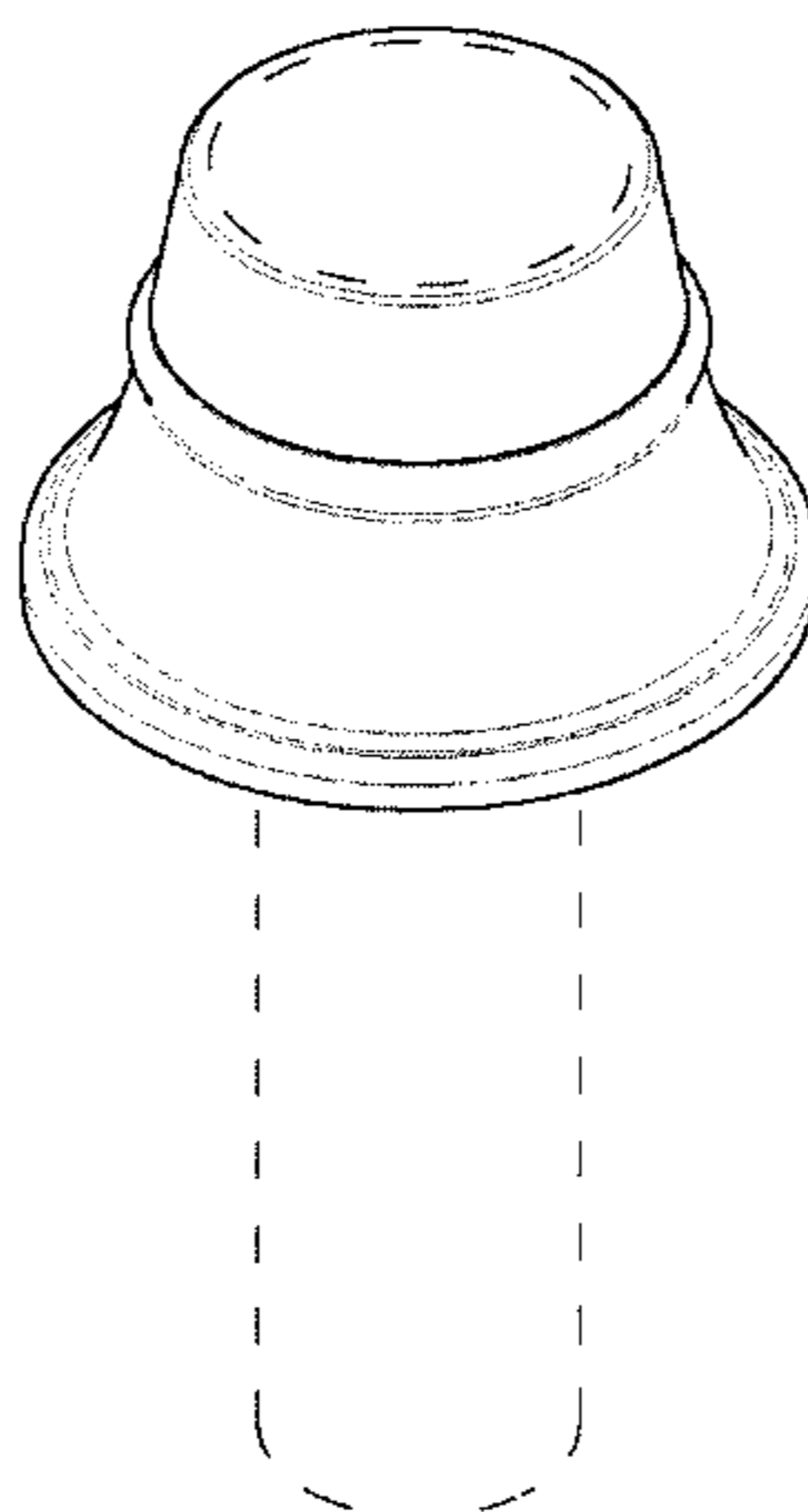
(57) **CLAIM**

The ornamental design for a side spray collar, as shown and described.

**DESCRIPTION**

FIG. 1 is a perspective view of the new design for a side spray collar;  
FIG. 2 is a front view of the new design for a side spray collar, the back view, right side view and left side view being mirror images;  
FIG. 3 is a top view of the new design for a side spray collar;  
and,  
FIG. 4 is a bottom view of the new design for a side spray collar.  
The broken lines in the Figures are for illustrative purposes only and form no part of the claimed design.

**1 Claim, 2 Drawing Sheets**



# US D533,641 S

## U.S. PATENT DOCUMENTS

D353,653 S	12/1994	McKeone	
D356,631 S	3/1995	Kolada	
D357,305 S	4/1995	Fabian	
D357,525 S	4/1995	Fabian	
D357,730 S	4/1995	Saperstein	
D363,536 S	10/1995	Hill et al.	
D364,219 S	11/1995	Hill et al.	
D364,220 S	11/1995	Hill et al.	
D365,384 S	12/1995	Robbins	
D366,099 S	1/1996	Hill et al.	
D367,920 S	3/1996	Hill et al.	
D368,767 S	4/1996	Gottwald	
D371,826 S	7/1996	Robbins	
D372,299 S	7/1996	Fabian	
D372,300 S	7/1996	Fabian	
D372,764 S	8/1996	Dubin	
D377,517 S	1/1997	Doughty et al.	
D378,231 S	2/1997	Dubin	
D379,849 S	6/1997	Hill et al.	
D383,831 S	9/1997	Esche et al.	
D385,955 S	11/1997	Hundley et al.	
D388,864 S	1/1998	Fabian	
D393,054 S	3/1998	Doughty et al.	
D394,492 S	5/1998	Nguyen et al.	
D398,963 S	9/1998	Donahue et al.	
D400,292 S	* 10/1998	Hoffbauer .....	D26/135
D402,005 S	12/1998	Ko	
D404,470 S	1/1999	Pitsch et al.	
D404,802 S	1/1999	Delker	
D405,163 S	2/1999	Doughty et al.	
D405,508 S	2/1999	Doughty et al.	
D405,509 S	2/1999	Doughty et al.	
D406,321 S	3/1999	Hundley et al.	
D407,143 S	3/1999	Hyde et al.	
D407,466 S	3/1999	Hundley et al.	
D408,897 S	4/1999	Warshawsky	
D409,292 S	5/1999	Hyde et al.	
D414,845 S	10/1999	Hyde	
D415,259 S	10/1999	Slothower	
D417,262 S	11/1999	Caplow	
D417,490 S	12/1999	Formgren	
D418,204 S	12/1999	Garcia	
D418,205 S	12/1999	Hyde et al.	
D419,647 S	1/2000	Warshawsky	
D421,642 S	3/2000	Ko	
D421,789 S	3/2000	Delker et al.	
D423,649 S	4/2000	Lobermeier	
D425,968 S	5/2000	Lobermeier	
D426,621 S	6/2000	Biller et al.	
D426,872 S	6/2000	Milrud et al.	
D426,873 S	6/2000	Milrud et al.	
D428,118 S	7/2000	McKeone	
D428,474 S	7/2000	Milrud et al.	
D429,316 S	8/2000	McKeone	
D429,318 S	8/2000	Spangler	
D429,522 S	8/2000	Spangler	
D429,523 S	8/2000	Spangler	
D429,798 S	8/2000	Milrud et al.	
D429,799 S	8/2000	Spangler	
D429,800 S	8/2000	Spangler	
D430,924 S	9/2000	Wei et al.	
D433,103 S	10/2000	Spangler	
D433,733 S	11/2000	Lord	
D433,735 S	11/2000	Lord	
D434,118 S	11/2000	Lord	
D434,119 S	11/2000	Milrud et al.	
D437,785 S	* 2/2001	Fan et al. ....	D9/448
D438,601 S	3/2001	Caplow	
D438,602 S	3/2001	Milrud et al.	
D439,954 S	4/2001	Spangler	
D440,633 S	4/2001	Fleischmann	
D441,058 S	4/2001	Fleischmann	
D441,432 S	5/2001	Fleischmann	
D441,433 S	5/2001	Spangler	
D441,434 S	5/2001	Dretzka	
D441,844 S	5/2001	Fleischmann	
D442,676 S	5/2001	Dretzka	
D443,678 S	6/2001	Lord	
D443,920 S	6/2001	Lord	
D444,543 S	7/2001	Fleischmann	
D444,544 S	7/2001	Lord	
D444,859 S	7/2001	Slothower	
D444,860 S	7/2001	Slothower	
D446,287 S	8/2001	Fleischmann	
D447,542 S	9/2001	Dretzka	
D448,067 S	9/2001	Pitsch	
D448,456 S	9/2001	Lord	
D455,196 S	4/2002	Caplow	
D456,063 S	4/2002	McKeone	
D456,879 S	5/2002	Doughty et al.	
D458,344 S	6/2002	Müllenmeister	
D458,346 S	6/2002	Müllenmeister	
D458,347 S	6/2002	Müllenmeister	
D458,349 S	6/2002	Müllenmeister	
D458,667 S	6/2002	Gottwald	
D458,989 S	6/2002	Müllenmeister	
D459,791 S	7/2002	Yegyayan	
D459,792 S	7/2002	Lai	
D460,158 S	7/2002	Green et al.	
D460,529 S	7/2002	Caplow	
D460,531 S	7/2002	Ko	
D460,533 S	7/2002	Singtoroj	
D460,534 S	7/2002	Hanna et al.	
D460,806 S	7/2002	Singtoroj	
D460,807 S	7/2002	Singtoroj	
D460,808 S	7/2002	Otero et al.	
D461,229 S	8/2002	Hanna	
D461,536 S	8/2002	Singtoroj	
D461,541 S	8/2002	Singtoroj	
D461,543 S	8/2002	Müllenmeister	
D461,879 S	8/2002	Müllenmeister	
D462,418 S	9/2002	Smith	
D462,421 S	9/2002	Hundley	
D462,749 S	9/2002	Lord	
D463,012 S	9/2002	Otero et al.	
D463,013 S	9/2002	Green et al.	
D464,404 S	10/2002	Lord	
D464,405 S	10/2002	Lord	
D464,408 S	10/2002	Gottwald	
D464,714 S	10/2002	Lord	
D465,010 S	10/2002	Lord	
D465,268 S	11/2002	Mülenmeister	
D465,270 S	11/2002	Gottwald	
D465,832 S	11/2002	Singtoroj	
D465,834 S	11/2002	Singtoroj	
D466,196 S	11/2002	Otero et al.	
D466,197 S	11/2002	Singtoroj	
D466,985 S	12/2002	McKeone	
D467,316 S	12/2002	Otero et al.	
D467,317 S	12/2002	Otero et al.	
D467,318 S	12/2002	Otero et al.	
D467,319 S	12/2002	Otero et al.	
D467,320 S	12/2002	Yegyayan	
D468,406 S	1/2003	Sacks et al.	
D469,856 S	2/2003	Bouilloux et al.	
D470,573 S	2/2003	Marshall	
D470,574 S	2/2003	Marshall	
D470,575 S	2/2003	Marshall	
D470,576 S	2/2003	Marshall	
D470,922 S	2/2003	Marshall	
D470,923 S	2/2003	Marshall	

# US D533,641 S

D470,925 S	2/2003	Blomstrom	D487,924 S	3/2004	Lin
D471,964 S	3/2003	Bates et al.	D487,925 S	3/2004	Lin
D473,932 S	4/2003	Caplow	D488,539 S	4/2004	McKeone
D473,933 S	4/2003	Warshawsky et al.	D488,540 S	4/2004	Ouyoung
D474,671 S	5/2003	Singtoroj et al.	D488,541 S	4/2004	Lin
D474,834 S	5/2003	Czerwinski, Jr. et al.	D488,542 S	4/2004	Spiegelberg et al.
D474,957 S	5/2003	Singtoroj et al.	D489,120 S	4/2004	Shieh
D475,438 S	6/2003	Tolosa	D489,432 S	5/2004	Lammel et al.
D475,766 S	6/2003	Tolosa	D490,501 S	5/2004	Ouyoung
D475,767 S	6/2003	Yegyayan et al.	D490,502 S	5/2004	Ouyoung
D476,059 S	* 6/2003	Huang ..... D23/213	D490,503 S	5/2004	Fraser et al.
D477,057 S	7/2003	Schönherr et al.	D490,504 S	5/2004	Lin
D477,386 S	7/2003	Schönherr et al.	D490,879 S	6/2004	Lin
D477,860 S	7/2003	Singtoroj	D490,881 S	6/2004	Lin
D478,157 S	8/2003	Yegyayan	D491,633 S	6/2004	Ouyoung
D478,375 S	8/2003	Hundley	D491,637 S	6/2004	Lin
D478,966 S	8/2003	Citterio	D491,638 S	6/2004	Lin
D479,311 S	9/2003	Veltz	D491,639 S	6/2004	Egee
D482,758 S	11/2003	Bates et al.	D491,640 S	6/2004	Lin
D482,759 S	11/2003	Otero	D491,641 S	6/2004	Lin
D482,760 S	11/2003	Fraser et al.	D491,642 S	6/2004	Lin
D483,093 S	12/2003	Bates et al.	D492,009 S	6/2004	Egee
D483,902 S	* 12/2003	Peters ..... D26/118	D492,013 S	6/2004	Citterio
D484,573 S	12/2003	Haug et al.	D492,387 S	6/2004	Pohl et al.
D484,950 S	1/2004	Blattner	D492,981 S	7/2004	Bloomstrom
D484,951 S	1/2004	Lin	D493,213 S	7/2004	Svendsen et al.
D484,952 S	1/2004	Marshall	D495,402 S	8/2004	Spiegelberg et al.
D486,563 S	2/2004	Hsieh	D496,717 S	9/2004	Svendsen et al.
D487,132 S	2/2004	Zhao	D497,198 S	10/2004	Painter et al.
D487,305 S	3/2004	Ouyoung	D511,855 S	* 11/2005	De'Armond ..... D26/128
D487,499 S	3/2004	Zhao	2004/0135010 A1	* 7/2004	Malek et al. .... 239/530
D487,799 S	3/2004	Czerwinski, Jr. et al.	2005/0082314 A1	* 4/2005	Macierowski et al. . 222/153.11
D487,916 S	3/2004	Lord			
D487,917 S	3/2004	Lord			
D487,923 S	3/2004	Fraser et al.			

\* cited by examiner

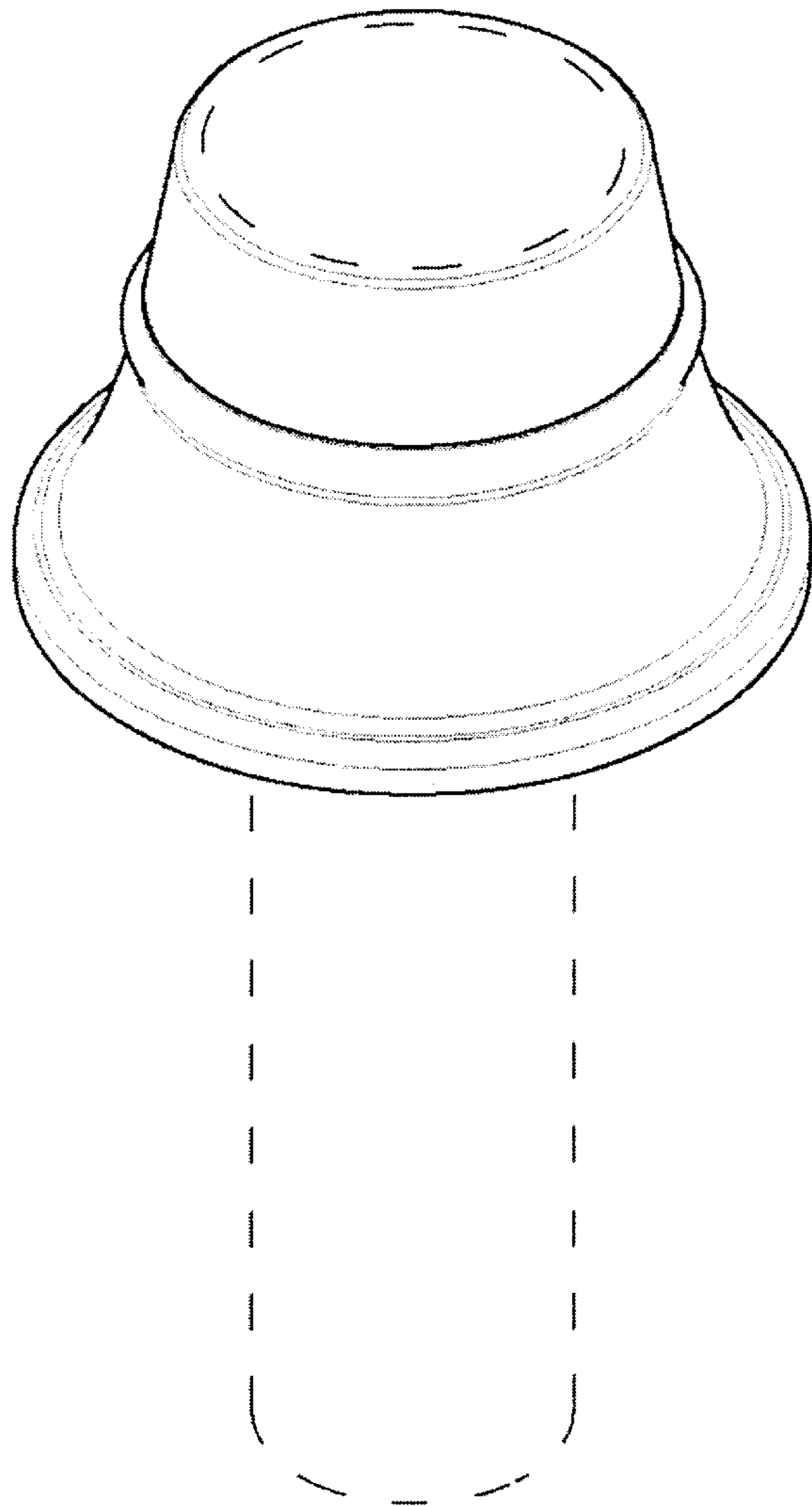


FIG. 1

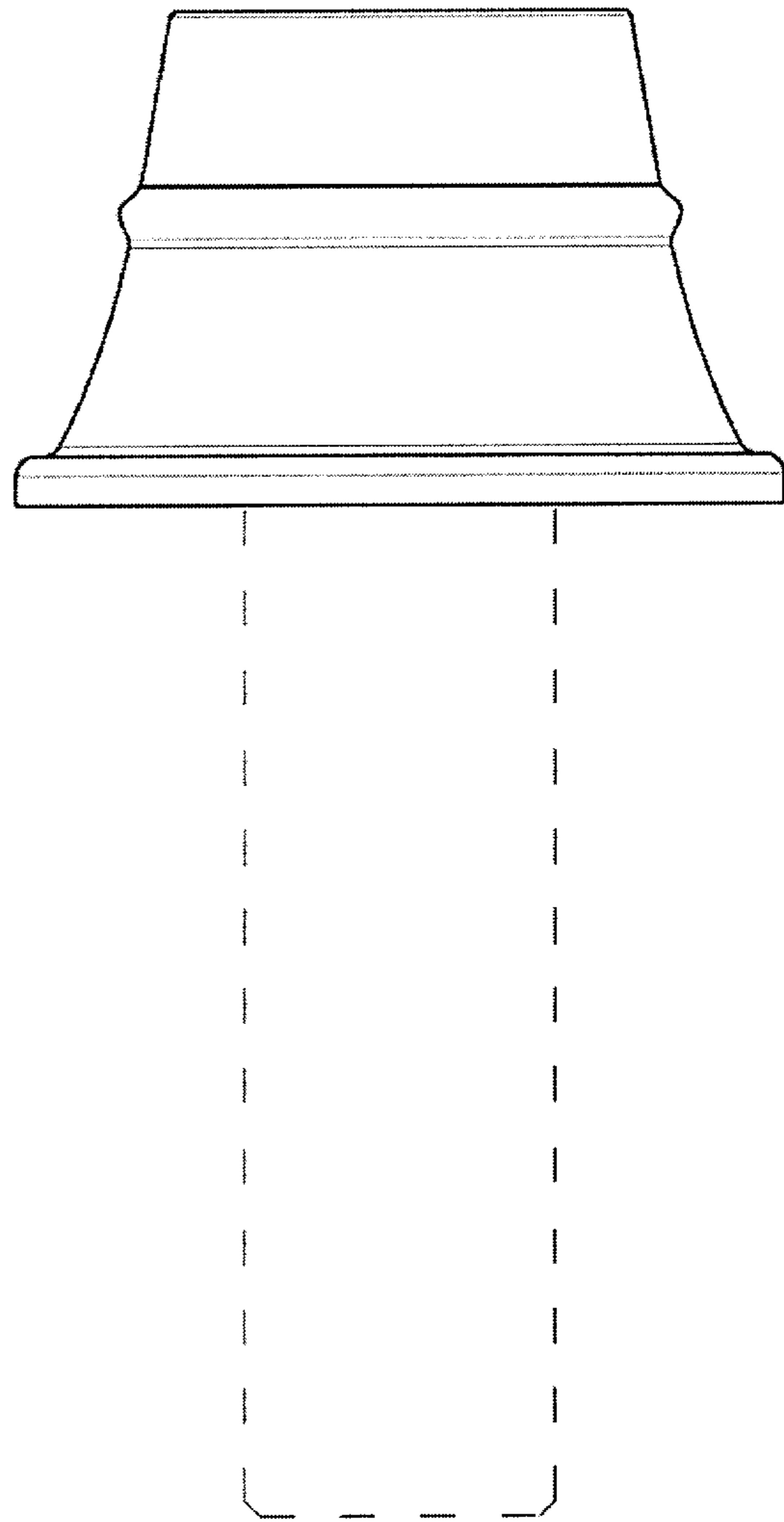


FIG. 2

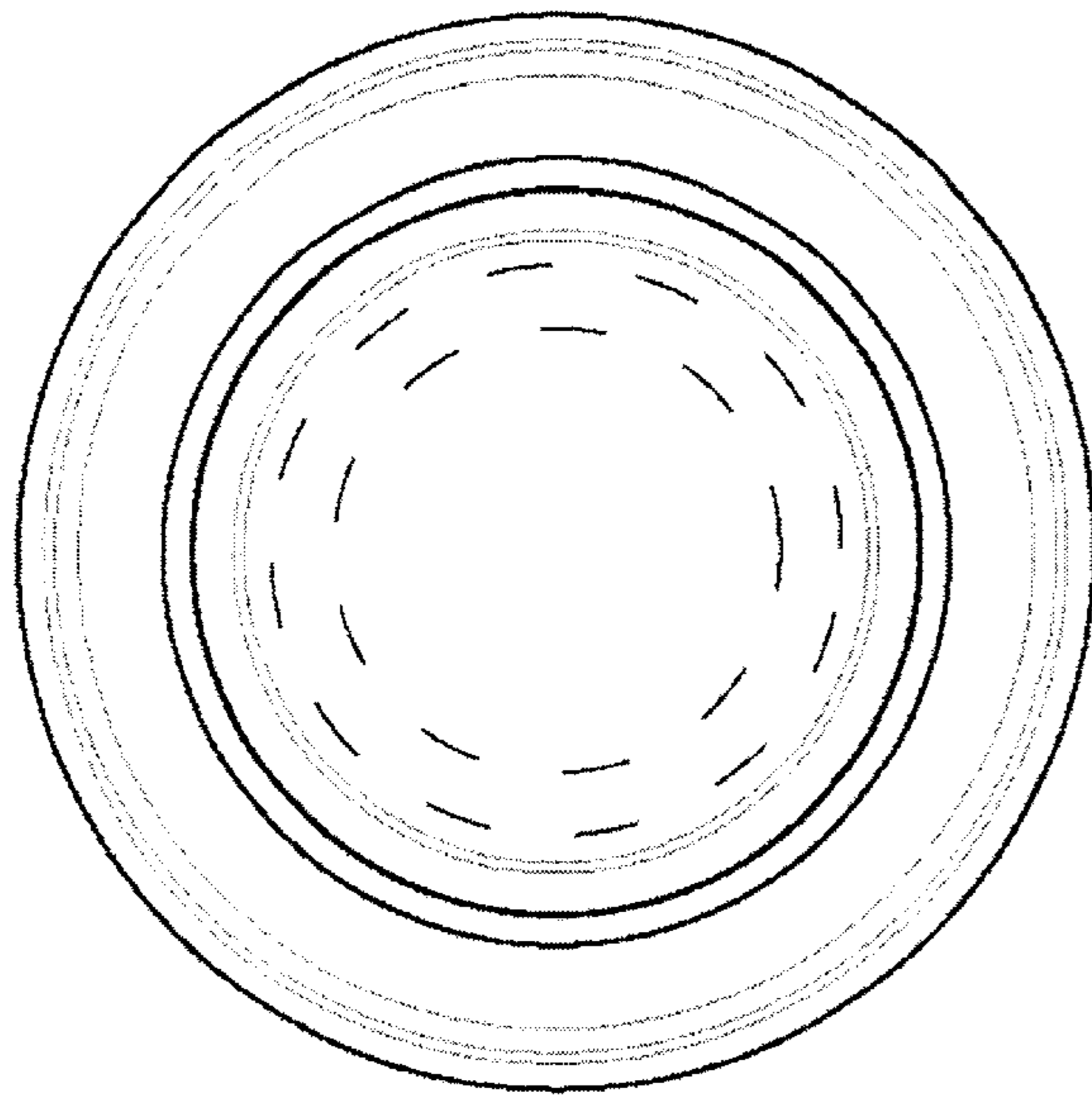


FIG. 3

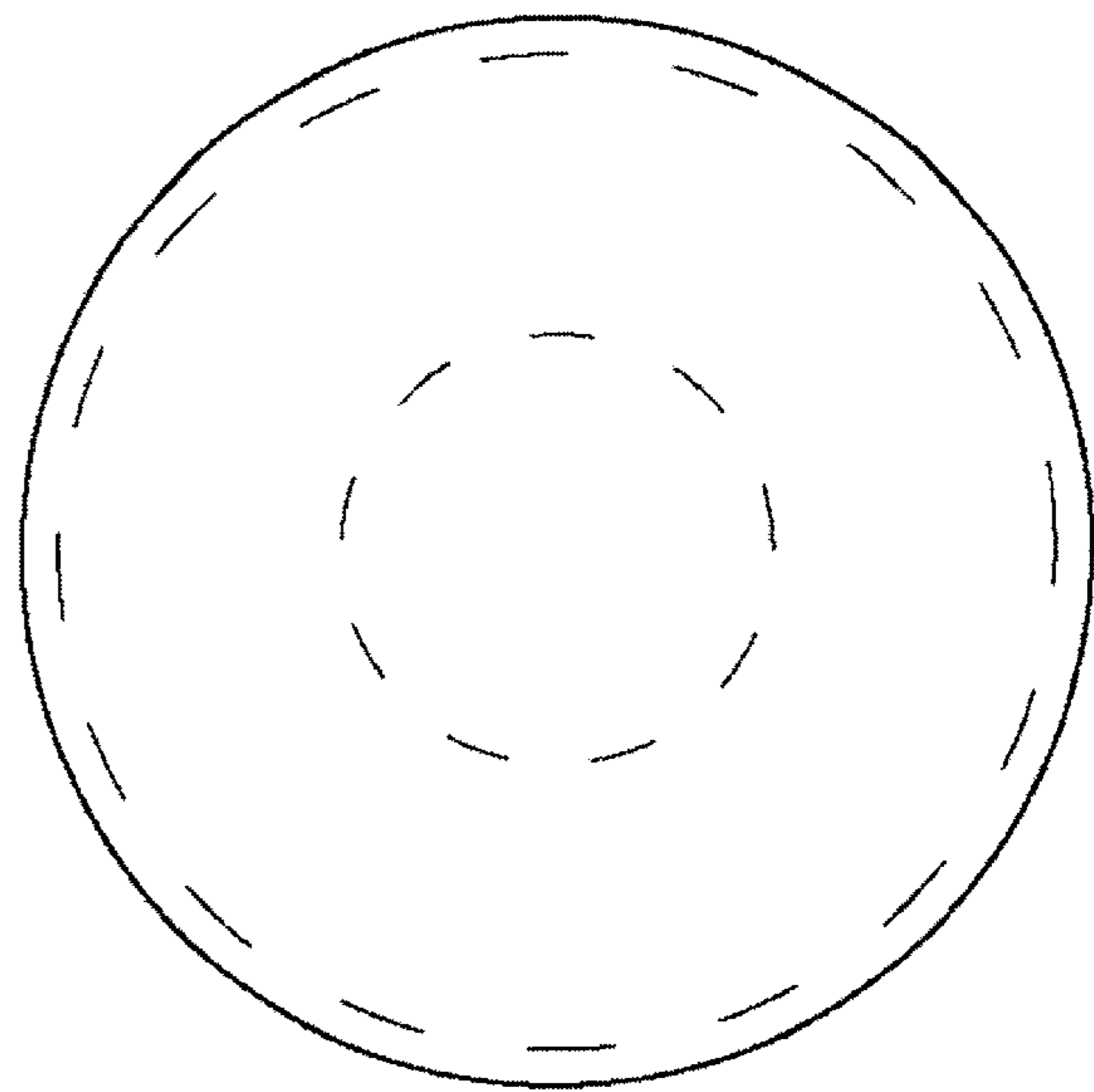


FIG. 4