



US00D533638S

(12) **United States Design Patent**
Castellanos

(10) **Patent No.:** **US D533,638 S**

(45) **Date of Patent:** **** Dec. 12, 2006**

(54) **DUAL HANDLE BRIDGE FAUCET**

(75) **Inventor:** **Carlos Castellanos**, Frankfurt am Main (DE)

(73) **Assignee:** **American Standard Europe B.V.B.A.**, Brussels (BE)

(**) **Term:** **14 Years**

(21) **Appl. No.:** **29/238,014**

(22) **Filed:** **Sep. 9, 2005**

(30) **Foreign Application Priority Data**

Mar. 15, 2005 (EM) 000310065

(51) **LOC (8) Cl.** **23-01**

(52) **U.S. Cl.** **D23/241; D23/242**

(58) **Field of Classification Search** **D23/238-257;**
4/675-678; 137/801

See application file for complete search history.

(56) **References Cited**

U.S. PATENT DOCUMENTS

D242,455 S * 11/1976 Jones D23/241
D291,114 S * 7/1987 Piesco D23/223

D385,949 S * 11/1997 Yang D23/226
D426,289 S * 6/2000 Levine D23/303
D489,119 S * 4/2004 Ouyoung D23/242
D490,142 S * 5/2004 Ouyoung D23/241

* cited by examiner

Primary Examiner—Louis S. Zarfaz

Assistant Examiner—Gregory Andoll

(57) **CLAIM**

The ornamental design for a dual handle bridge faucet, as shown and described.

DESCRIPTION

FIG. 1 is a perspective view of a dual handle bridge faucet showing my new design;

FIG. 2 is a top plan view thereof;

FIG. 3 is a front elevational view thereof;

FIG. 4 is a left side elevational view thereof;

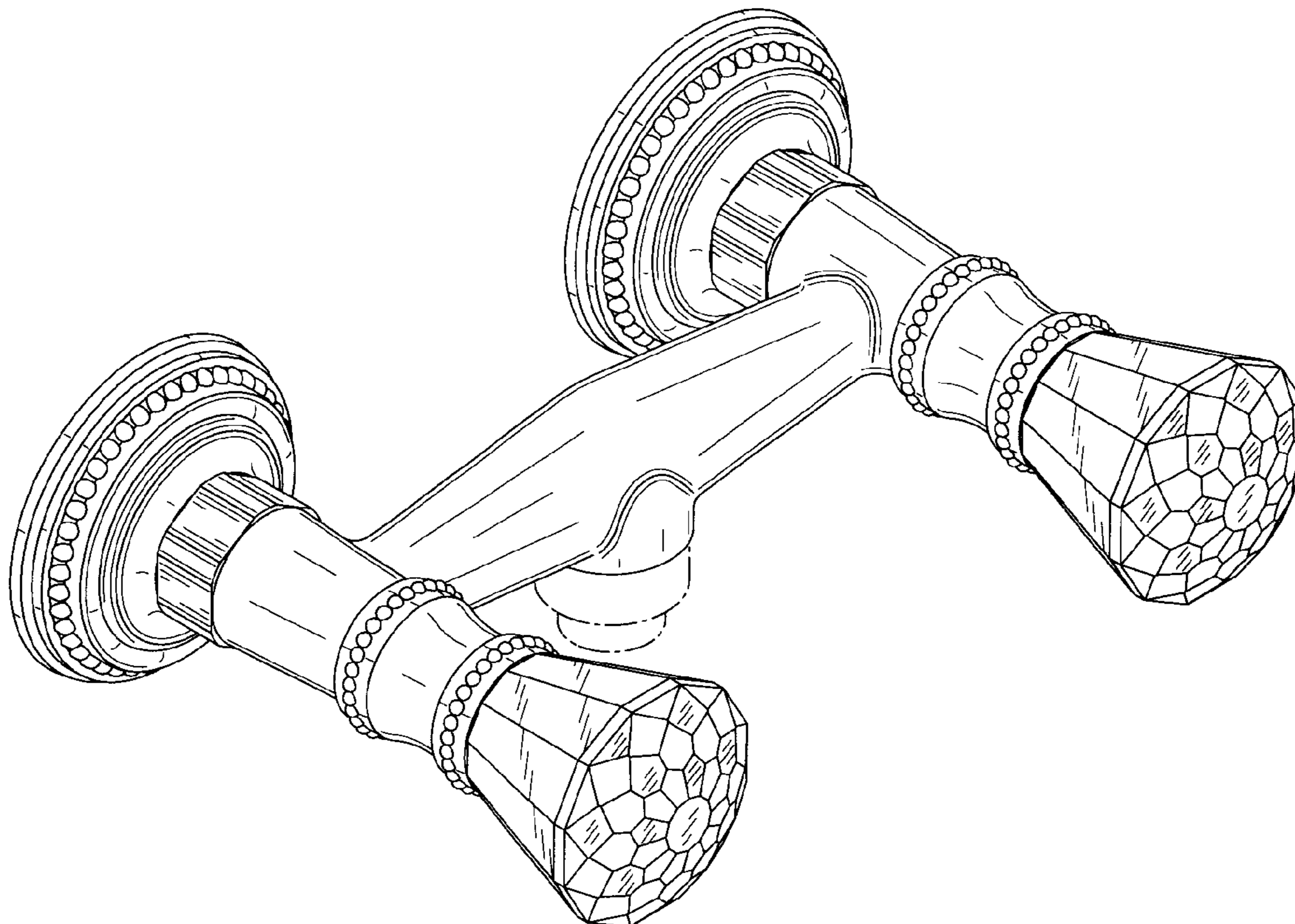
FIG. 5 is a rear elevational view thereof;

FIG. 6 is a right side elevational view thereof; and,

FIG. 7 is a bottom plan view.

The broken lines in the Figures are for illustrative purposes only and form no part of the claimed design.

1 Claim, 7 Drawing Sheets



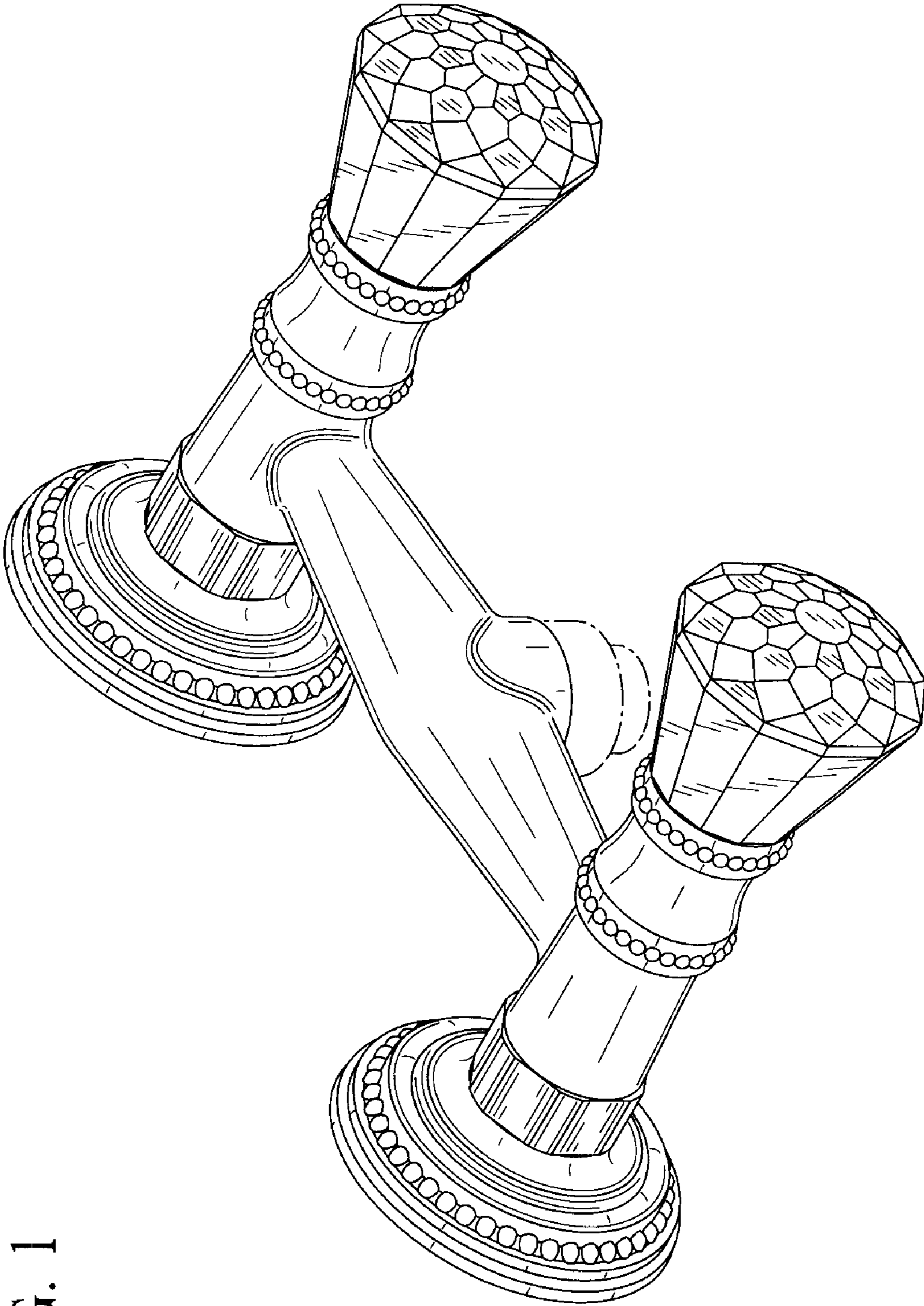


FIG. 1

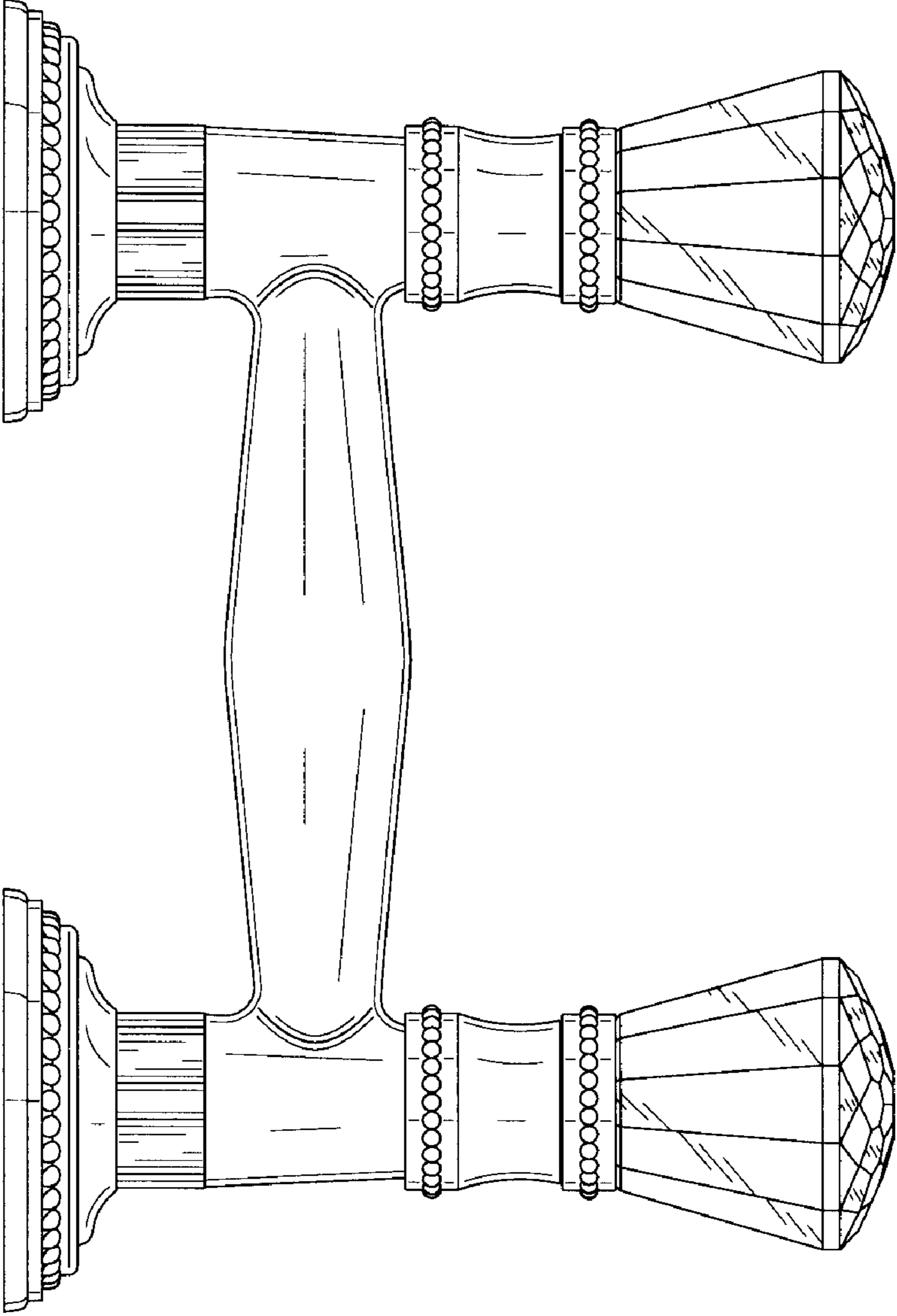


FIG. 2

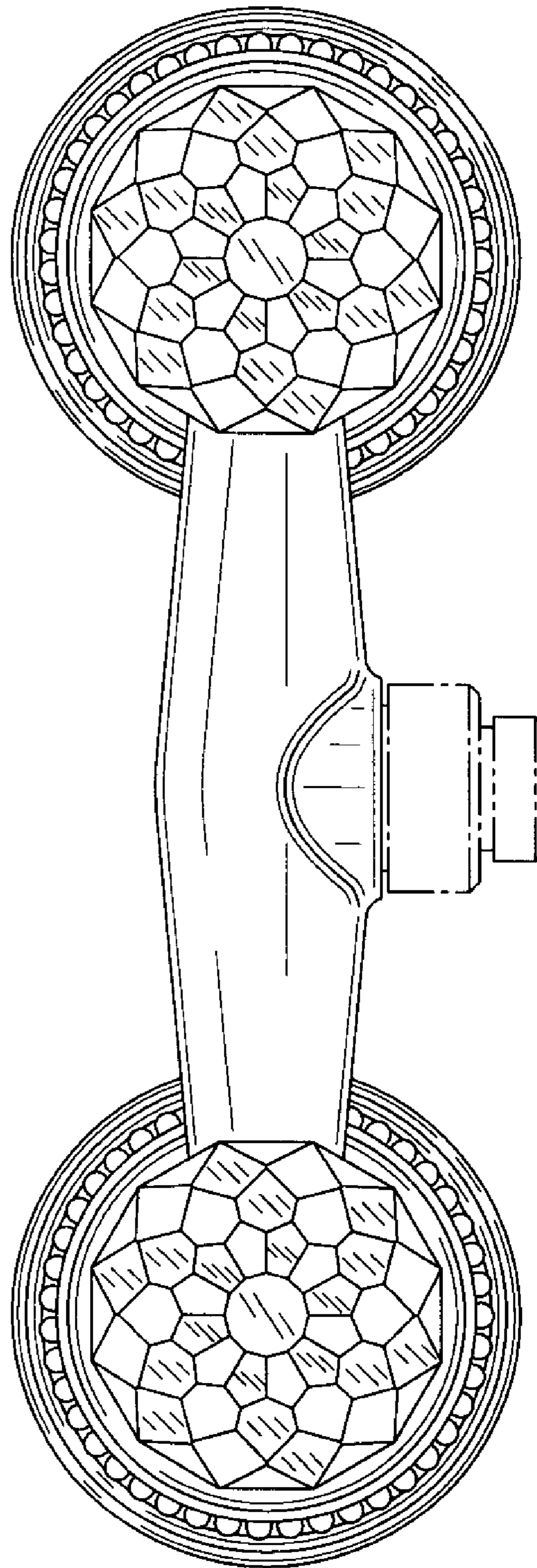


FIG. 3

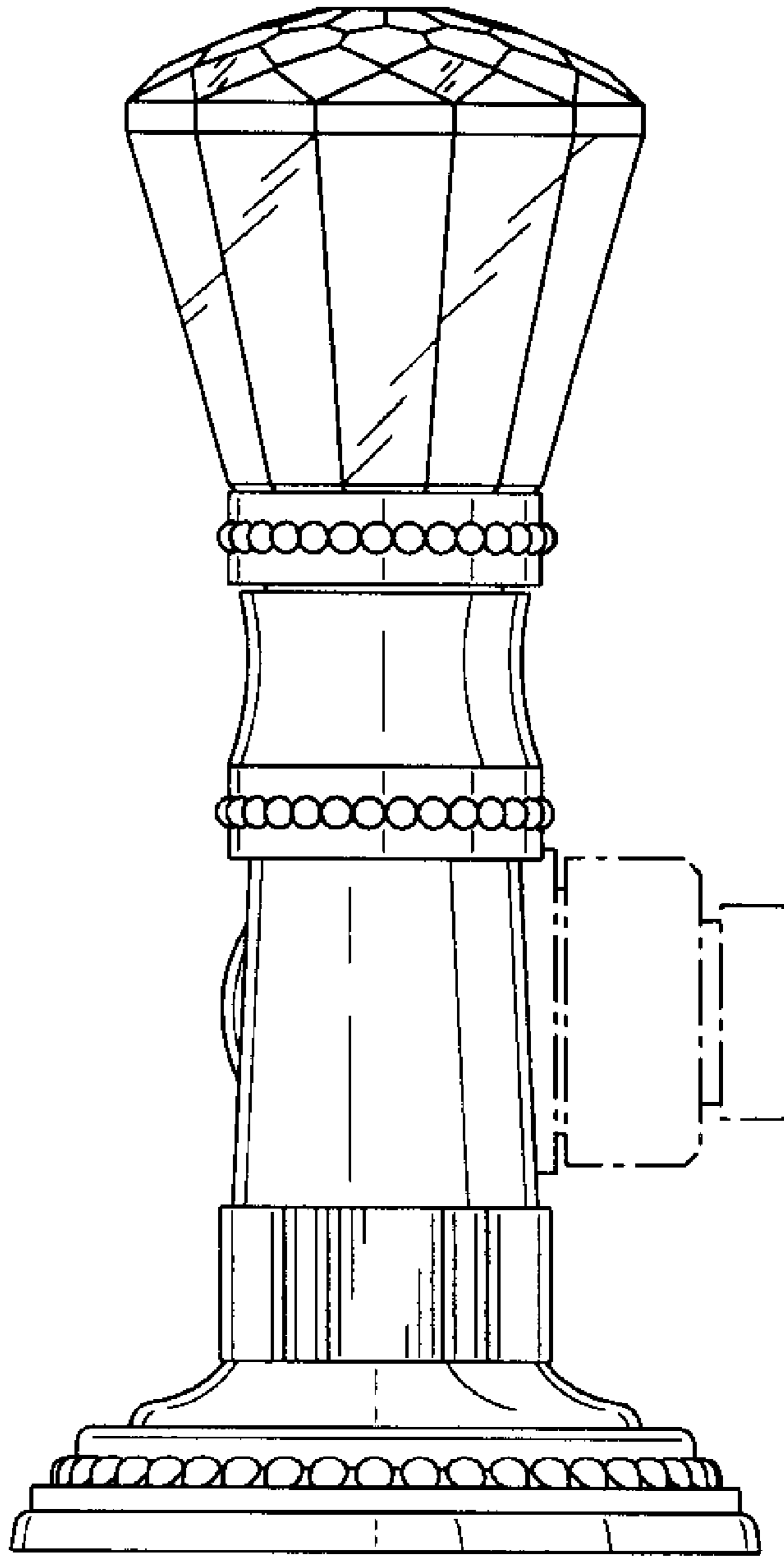


FIG. 4

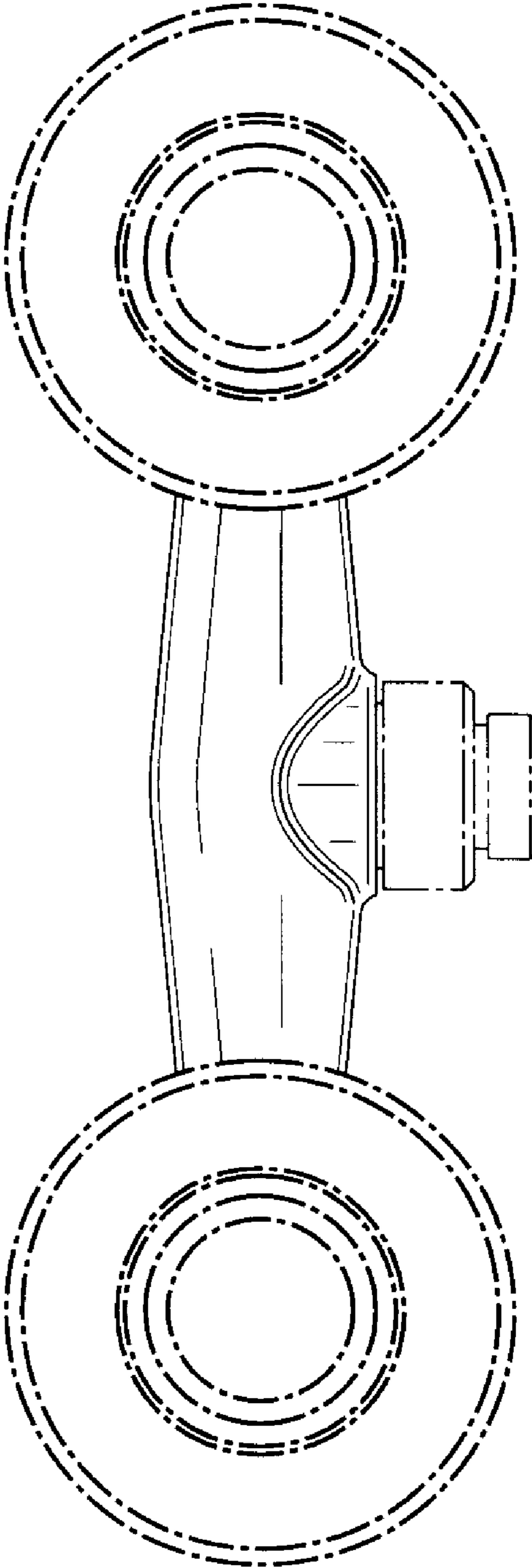


FIG. 5

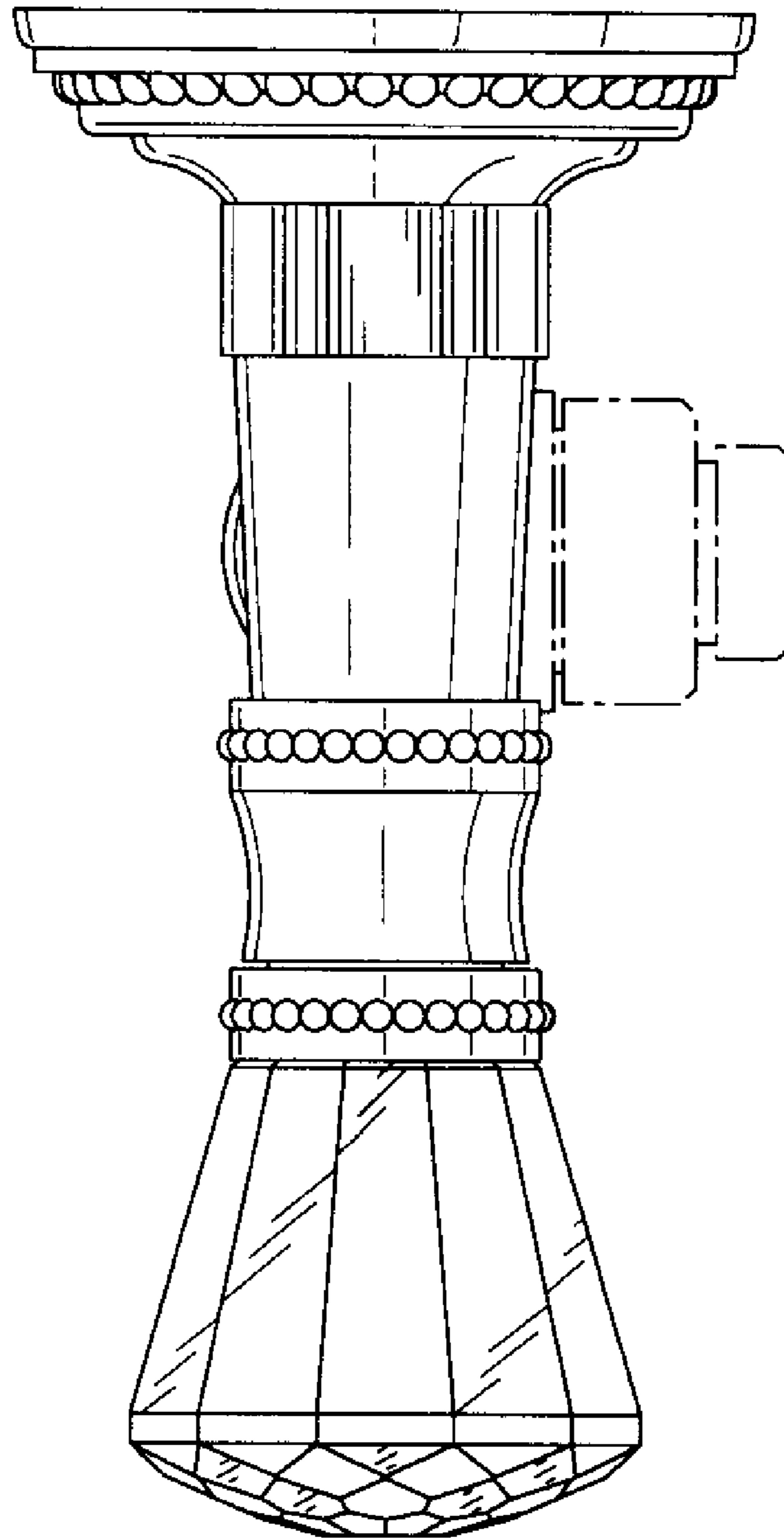


FIG. 6

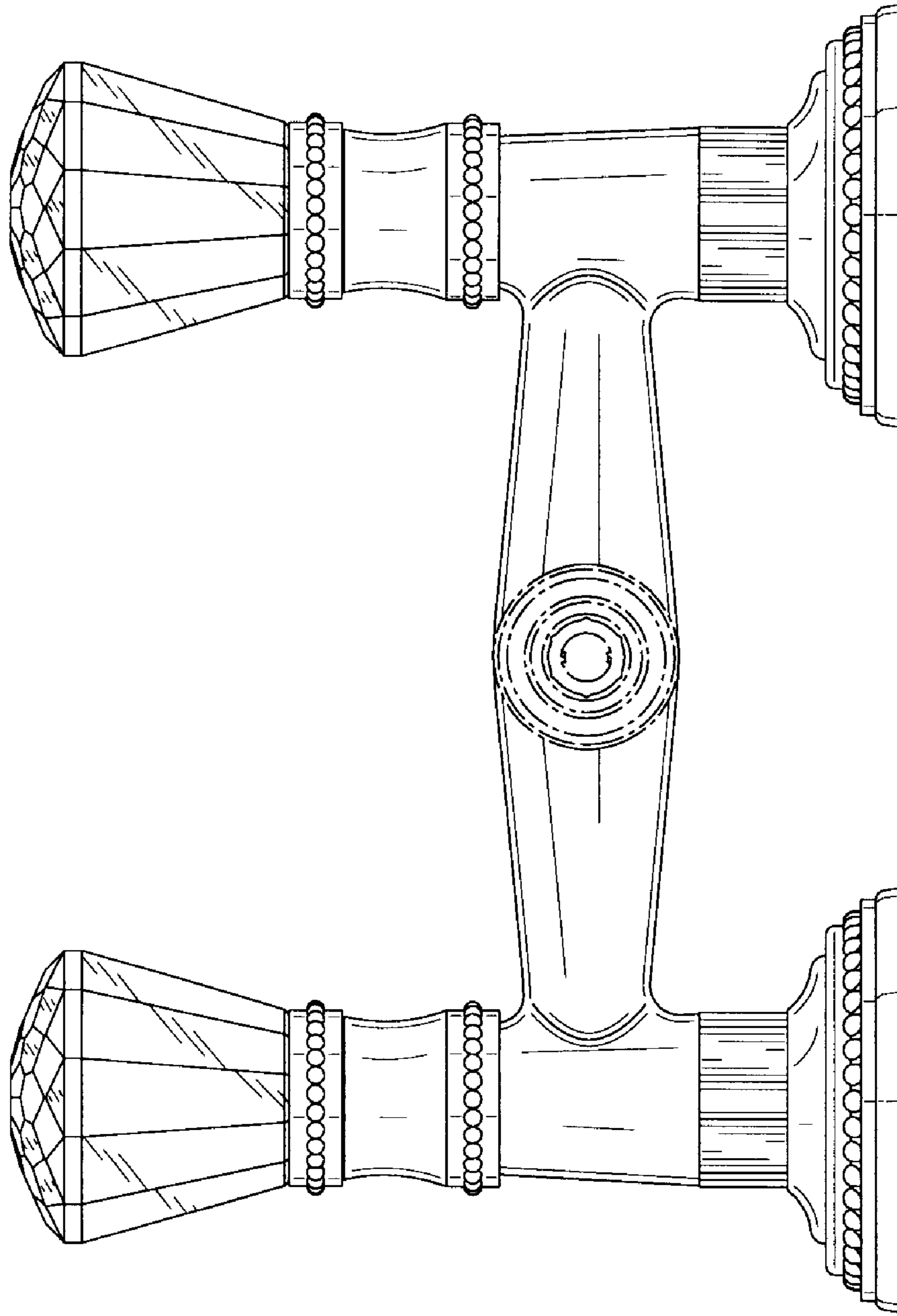


FIG. 7