



US00D533633S

(12) **United States Design Patent**  
**Toyohara**

(10) **Patent No.:** **US D533,633 S**

(45) **Date of Patent:** **\*\* Dec. 12, 2006**

(54) **FAUCET**

(75) Inventor: **Atsushi Toyohara**, Kitakyushu (JP)

(73) Assignee: **Toto Ltd.**, Kitayushu (JP)

(\*\*) Term: **14 Years**

(21) Appl. No.: **29/256,929**

(22) Filed: **Mar. 28, 2006**

(51) **LOC (8) Cl.** ..... **23-01**

(52) **U.S. Cl.** ..... **D23/238; D23/255**

(58) **Field of Classification Search** ..... D23/238-257;  
4/675-678; 137/801

See application file for complete search history.

(56) **References Cited**

**U.S. PATENT DOCUMENTS**

D326,505 S \* 5/1992 Kohler et al. .... D23/255  
D520,122 S \* 5/2006 Kennard ..... D23/256  
D521,122 S \* 5/2006 Fritz ..... D23/255

D524,414 S \* 7/2006 Marcichow et al. .... D23/238

\* cited by examiner

*Primary Examiner*—Louis S. Zarfes

*Assistant Examiner*—Gregory Andoll

(74) *Attorney, Agent, or Firm*—Birch, Stewart, Kolasch & Birch, LLP

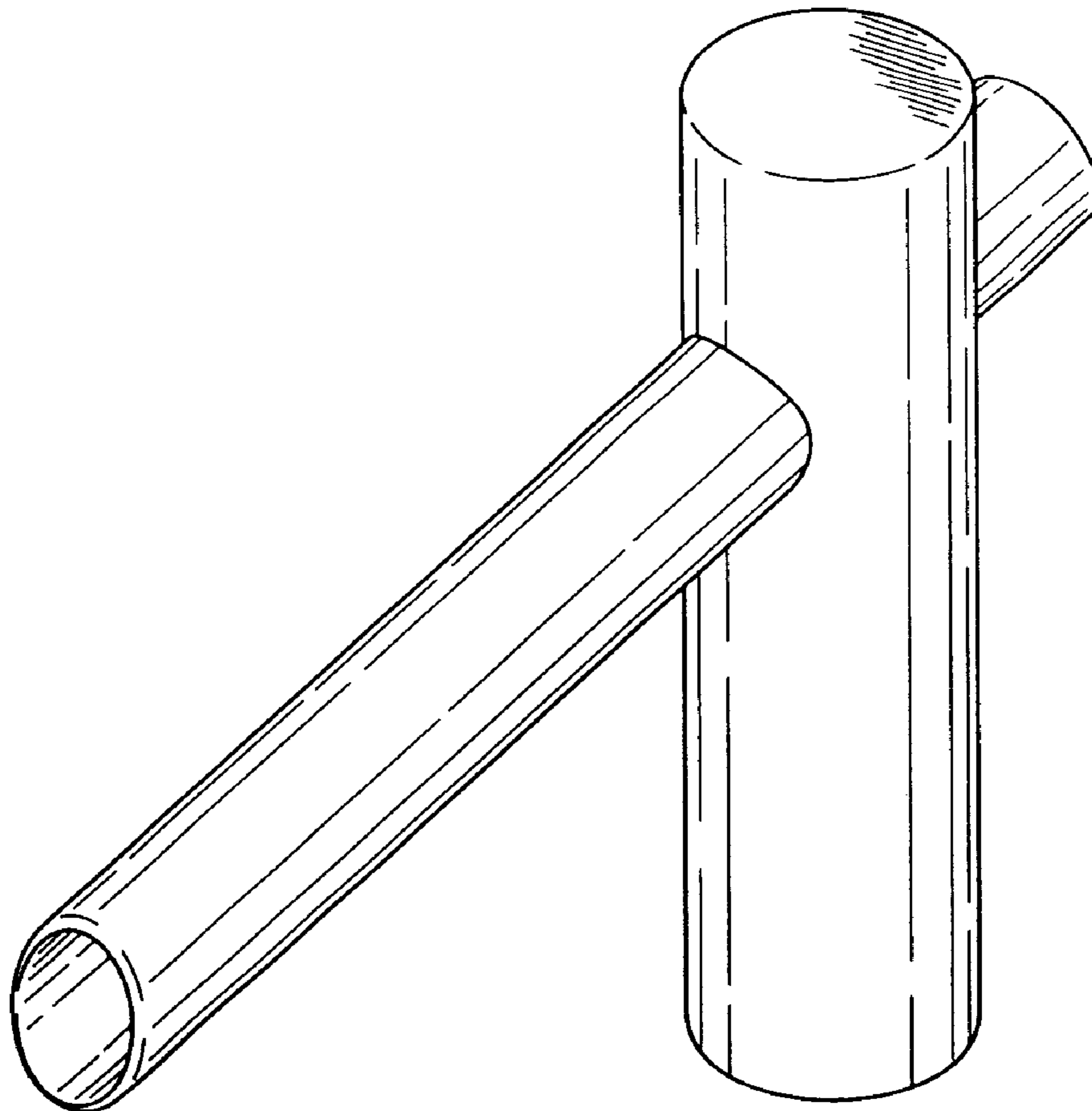
(57) **CLAIM**

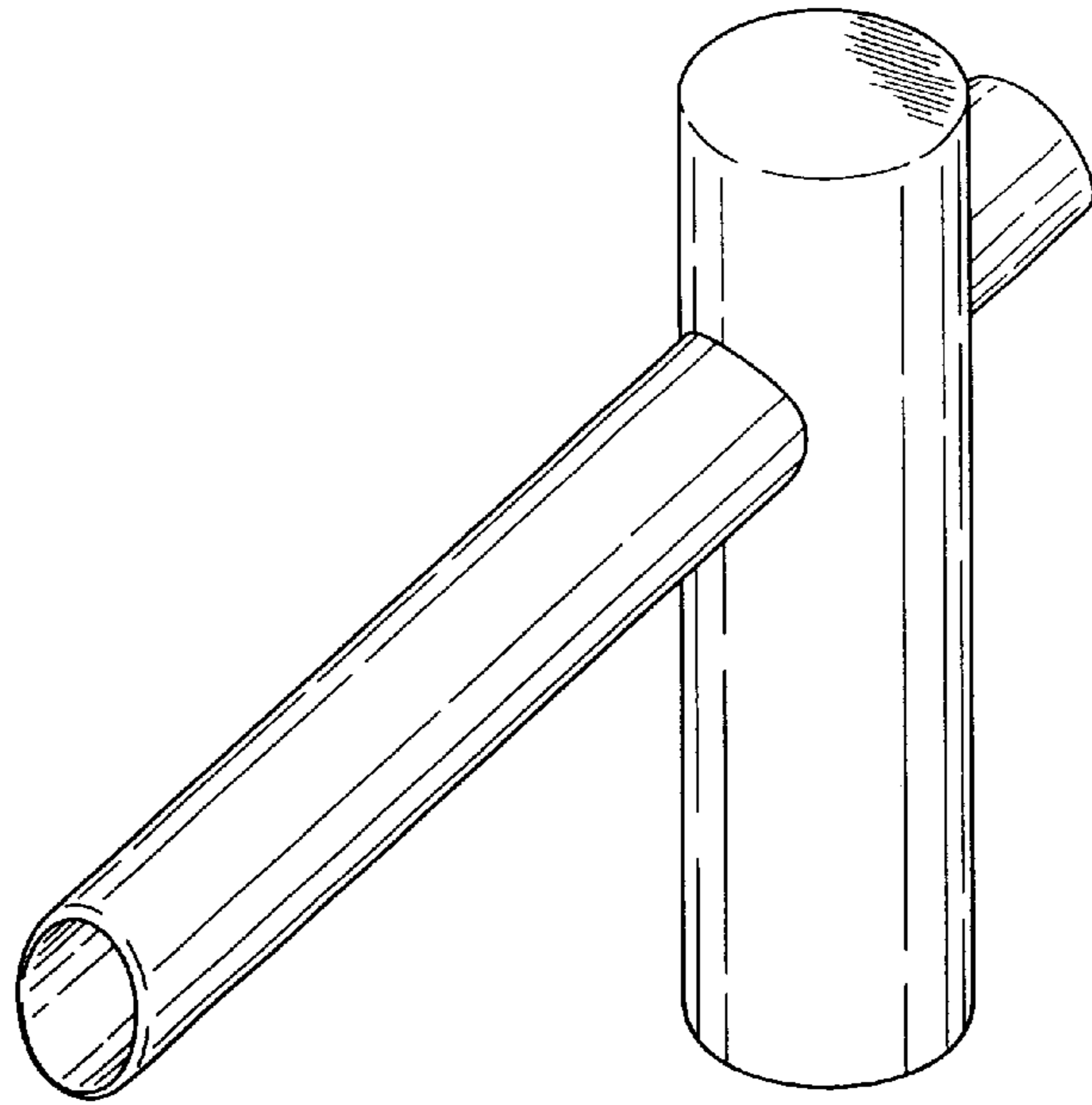
The ornamental design for a faucet, as shown and described.

**DESCRIPTION**

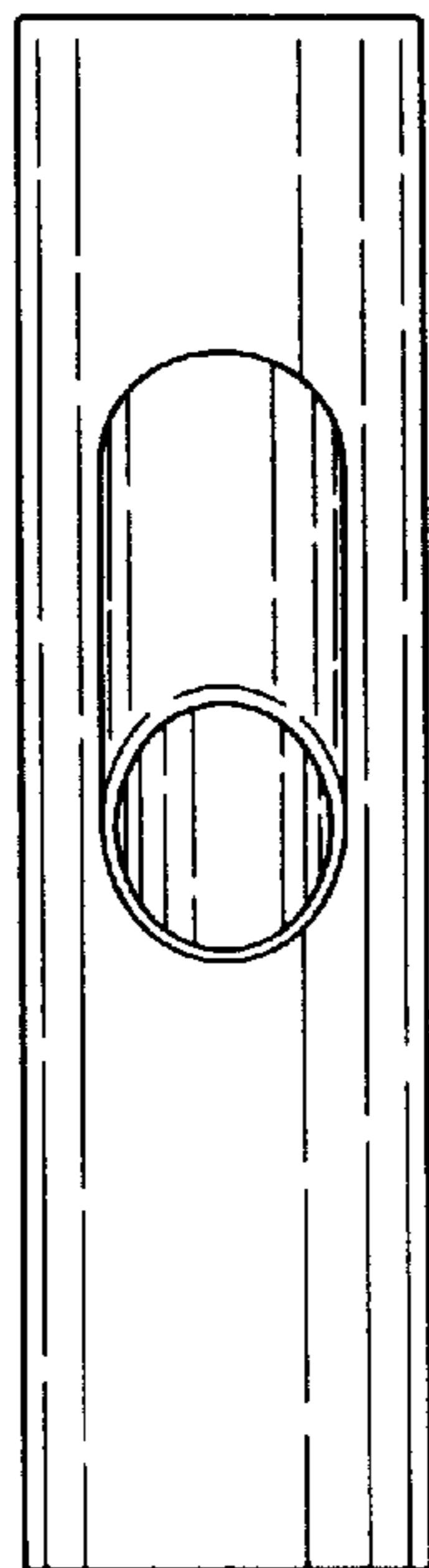
FIG. 1 is a perspective view of the top, front and right side of a faucet showing my new design; FIG. 2 is a front view thereof; FIG. 3 is a rear view thereof; FIG. 4 is a left side view thereof; FIG. 5 is a right side view thereof; FIG. 6 is a top plan view thereof; and, FIG. 7 is a bottom view thereof.

**1 Claim, 3 Drawing Sheets**

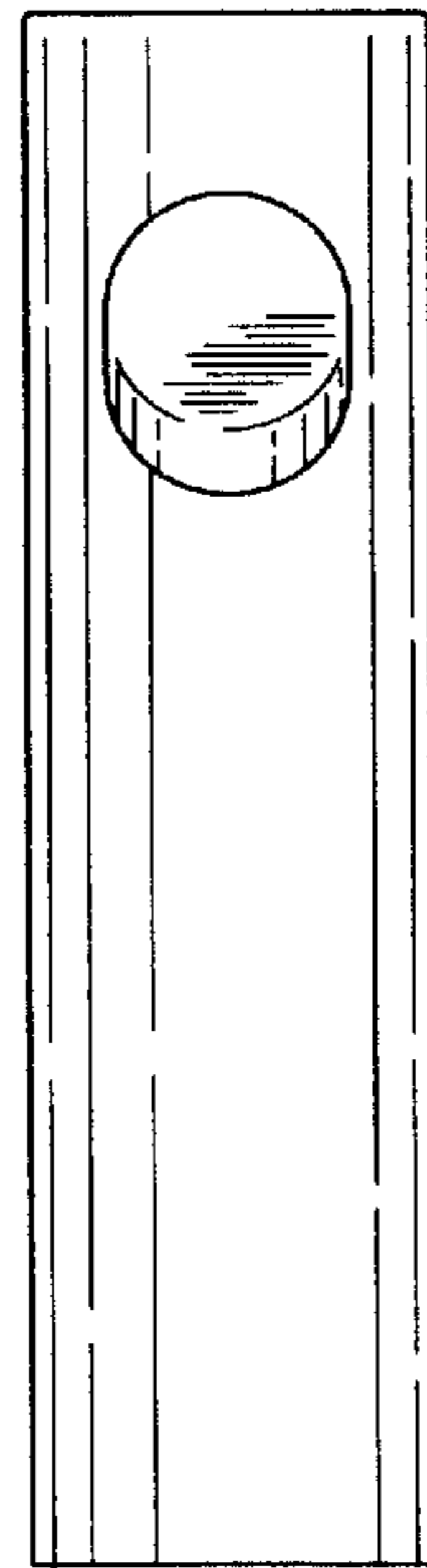




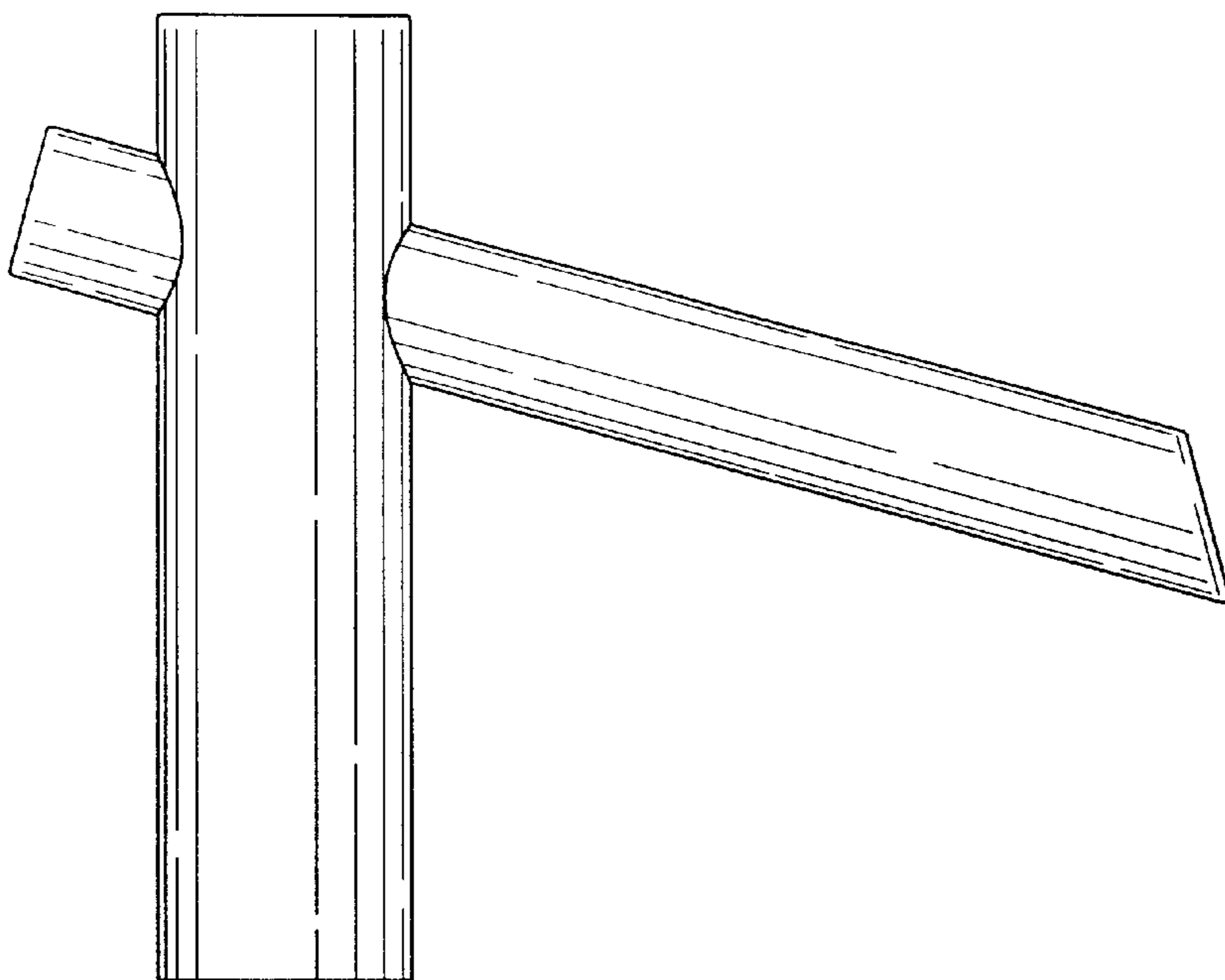
*FIG. 1*



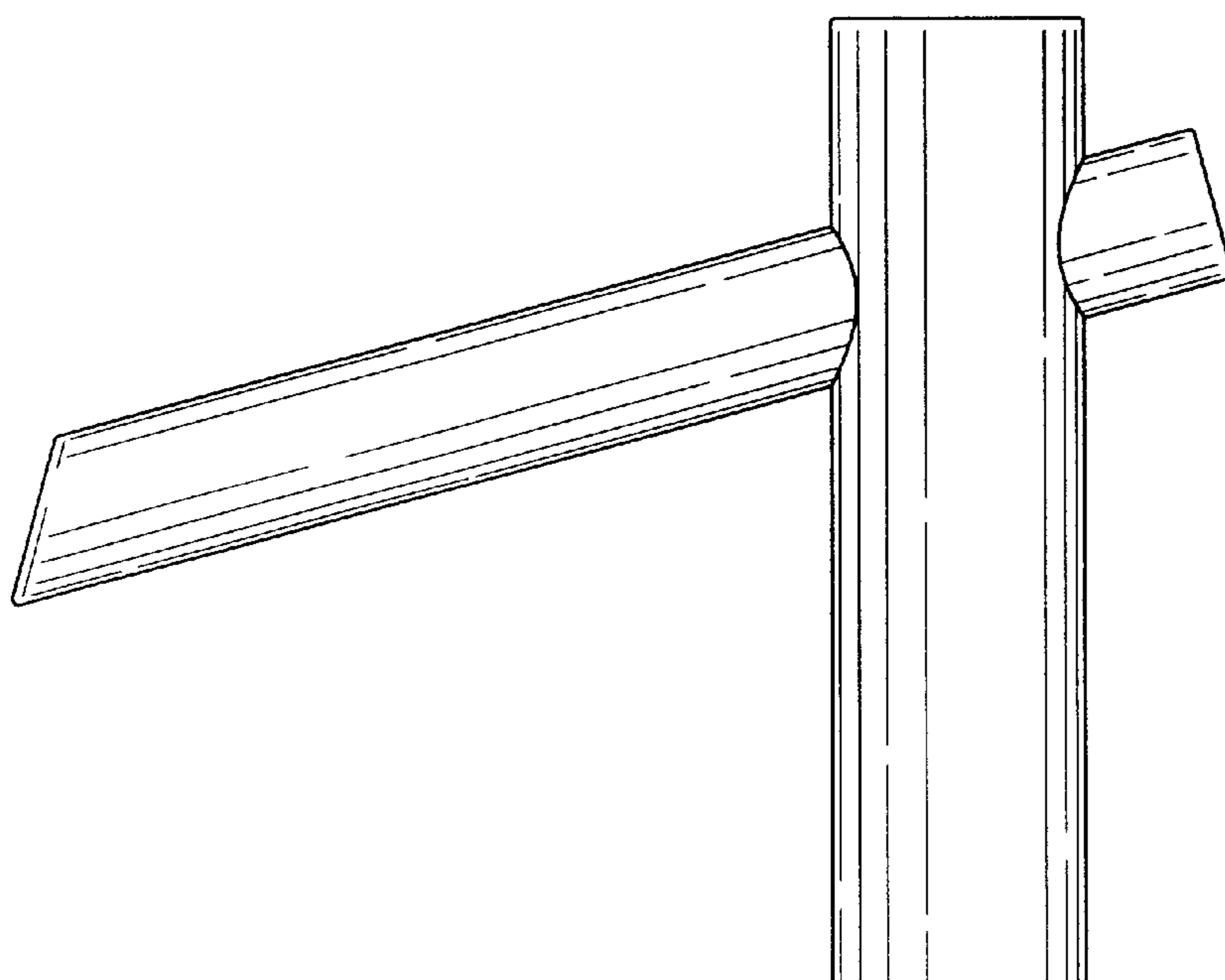
*FIG. 2*



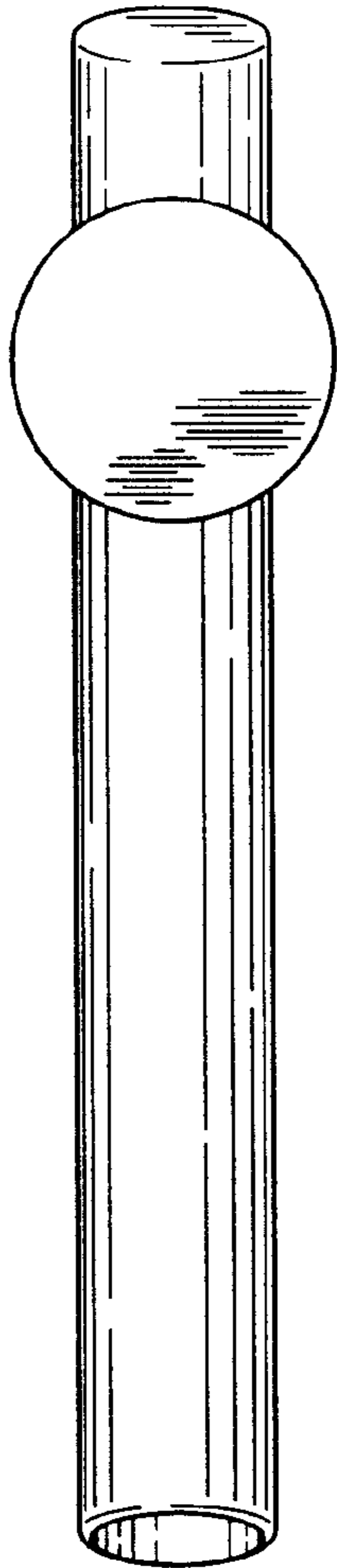
*FIG. 3*



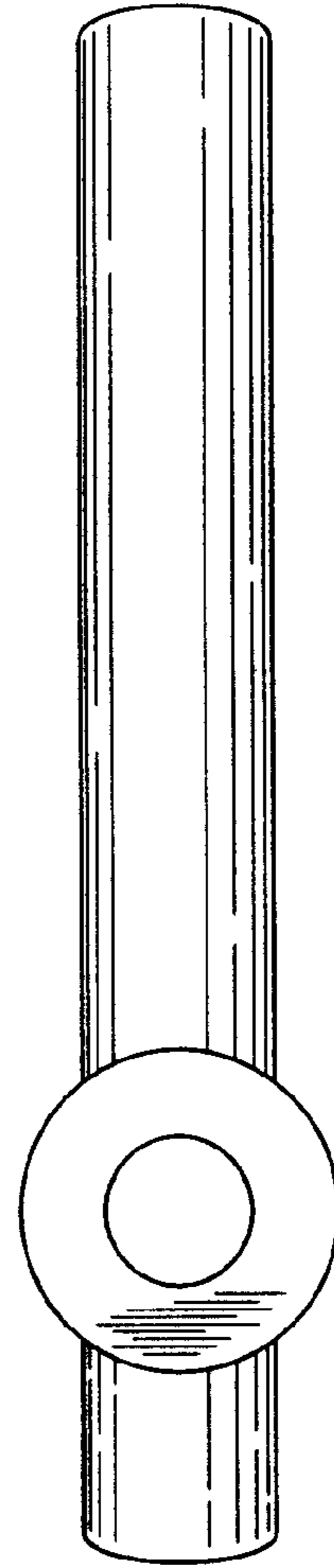
*FIG. 4*



*FIG. 5*



*FIG. 6*



*FIG. 7*