



US00D533632S

(12) **United States Design Patent**  
**Kennard**

(10) **Patent No.:** **US D533,632 S**

(45) **Date of Patent:** **\*\* Dec. 12, 2006**

(54) **SPOUT**

D490,881 S \* 6/2004 Lin ..... D23/257  
D516,685 S \* 3/2006 Kennard ..... D23/255

(75) Inventor: **Dan Kennard**, Norcross, GA (US)

\* cited by examiner

(73) Assignee: **Fusion Hardware Group Inc.**,  
Norcross, GA (US)

*Primary Examiner*—Louis S. Zarfes

*Assistant Examiner*—Gregory Andoll

(\*\*) Term: **14 Years**

(74) *Attorney, Agent, or Firm*—Leong C. Lei

(21) Appl. No.: **29/246,540**

(57) **CLAIM**

(22) Filed: **Apr. 21, 2006**

The ornamental design for a spout, as shown and described.

(51) **LOC (8) Cl.** ..... **23-01**

**DESCRIPTION**

(52) **U.S. Cl.** ..... **D23/238; D23/255**

FIG. 1 is a perspective view of a spout showing my new design;

(58) **Field of Classification Search** ..... D23/238–257;

FIG. 2 is a front elevational view thereof;

4/675–678; 137/801

FIG. 3 is a rear elevational view thereof;

See application file for complete search history.

FIG. 4 is a left side elevational view thereof;

(56) **References Cited**

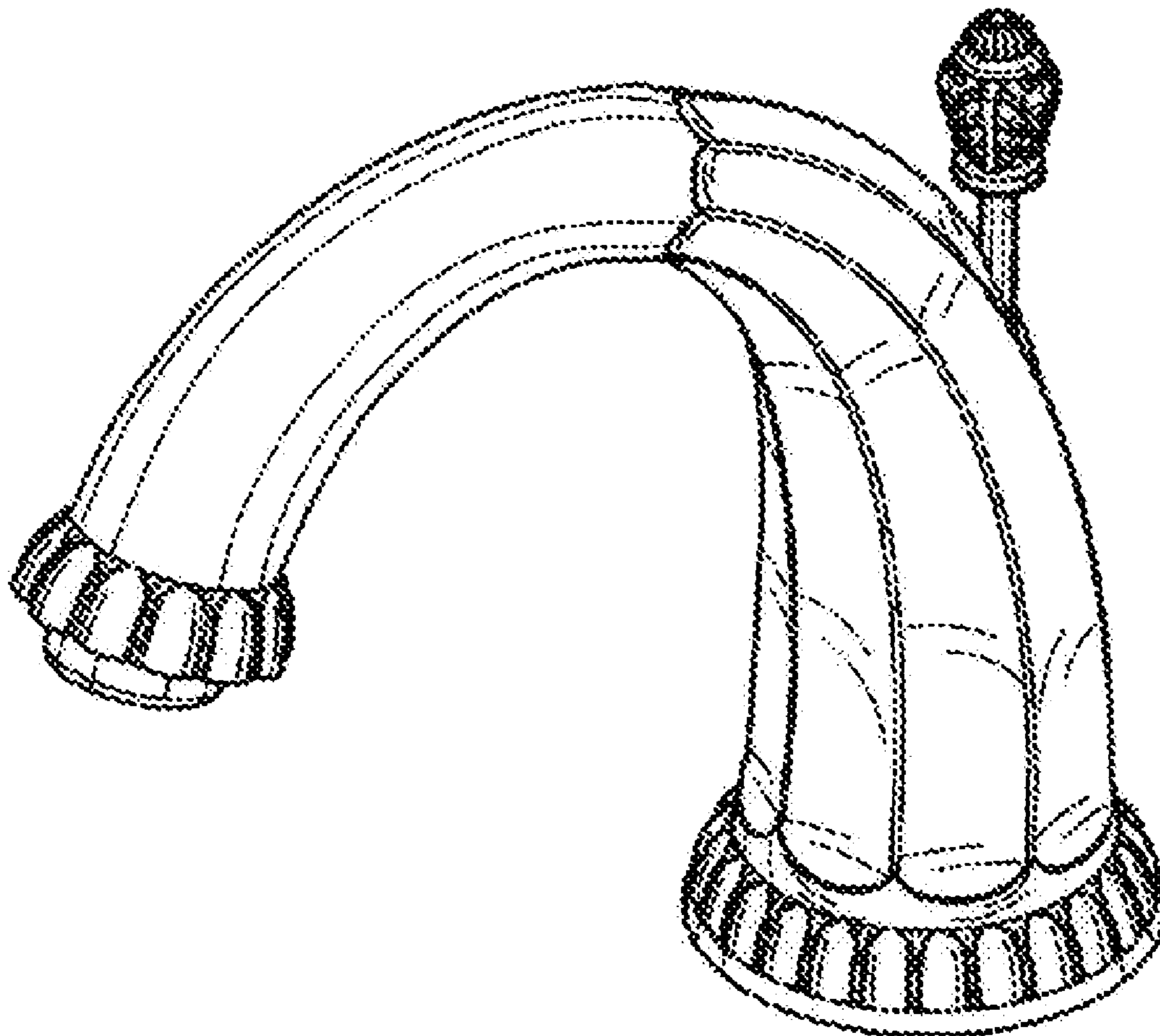
FIG. 5 is a right side elevational view thereof; and,

**U.S. PATENT DOCUMENTS**

FIG. 6 is a top plan view thereof.

D490,880 S \* 6/2004 Lin ..... D23/255

**1 Claim, 5 Drawing Sheets**



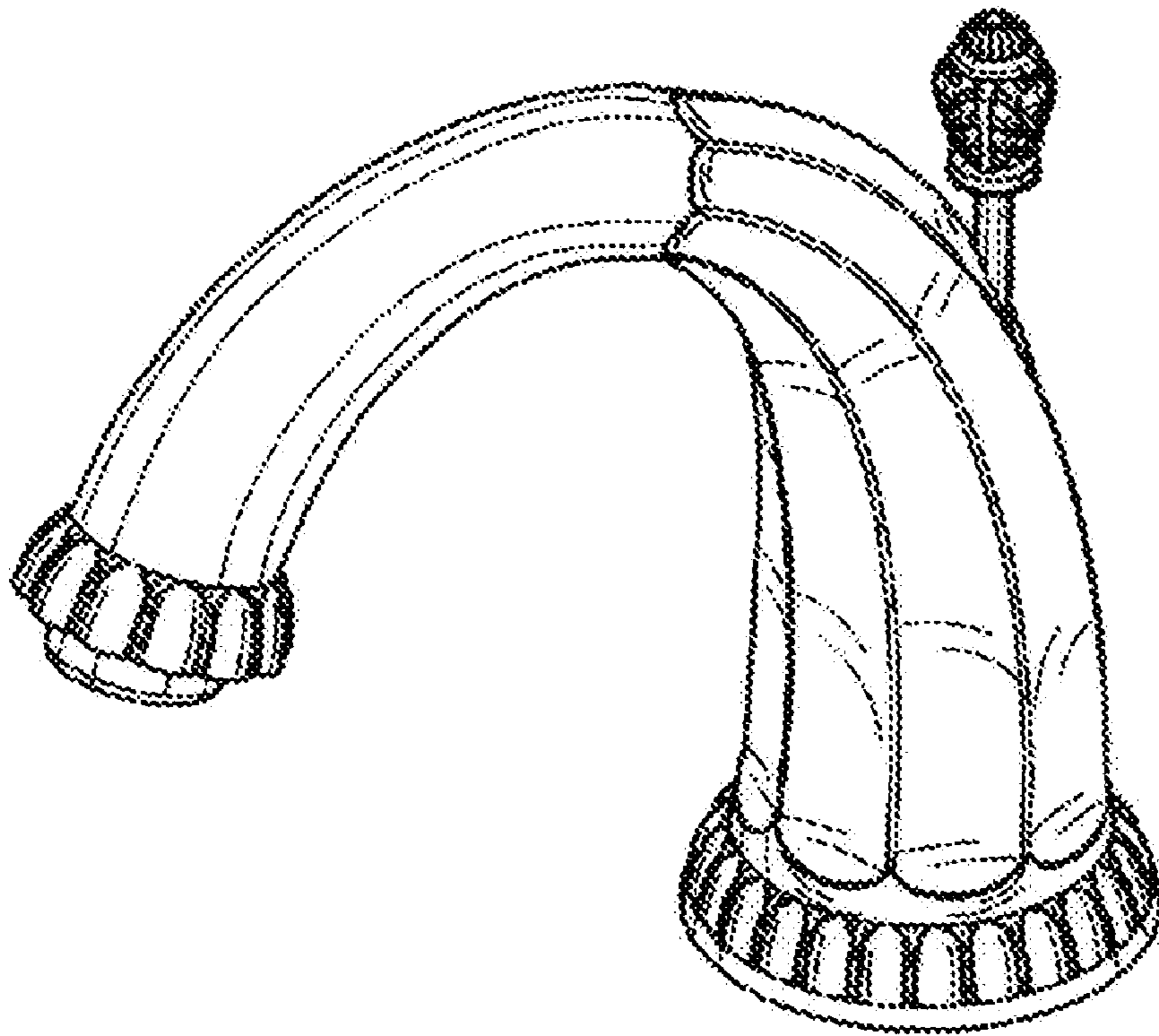


FIG. 1

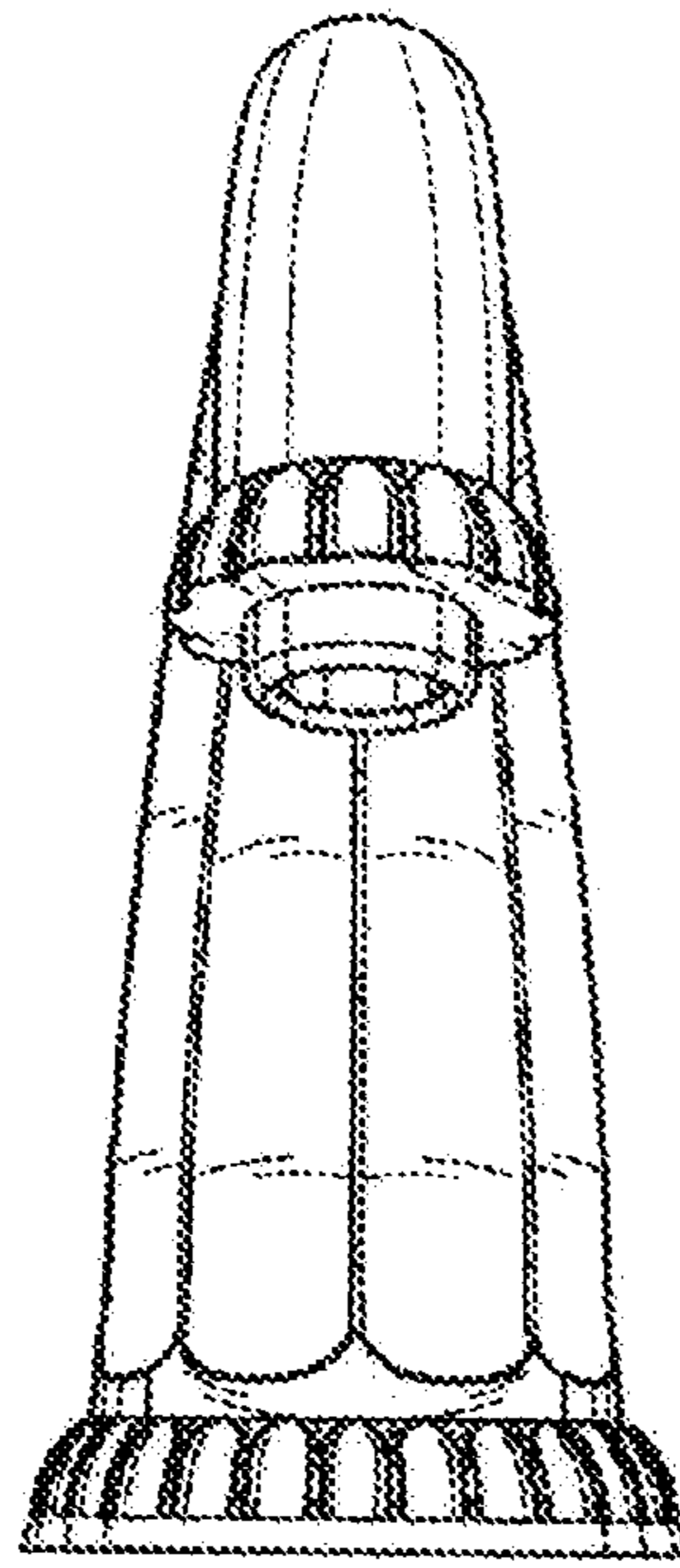


FIG. 2

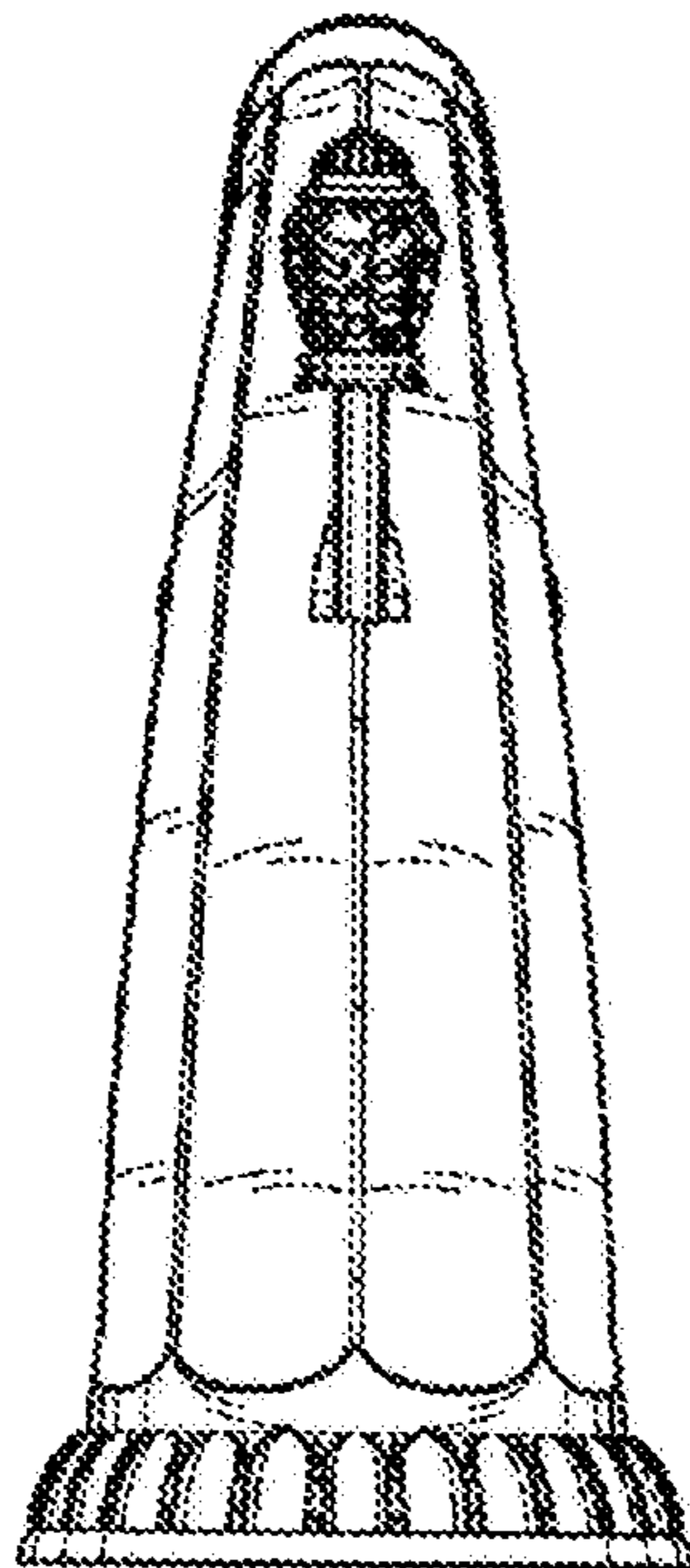


FIG. 3

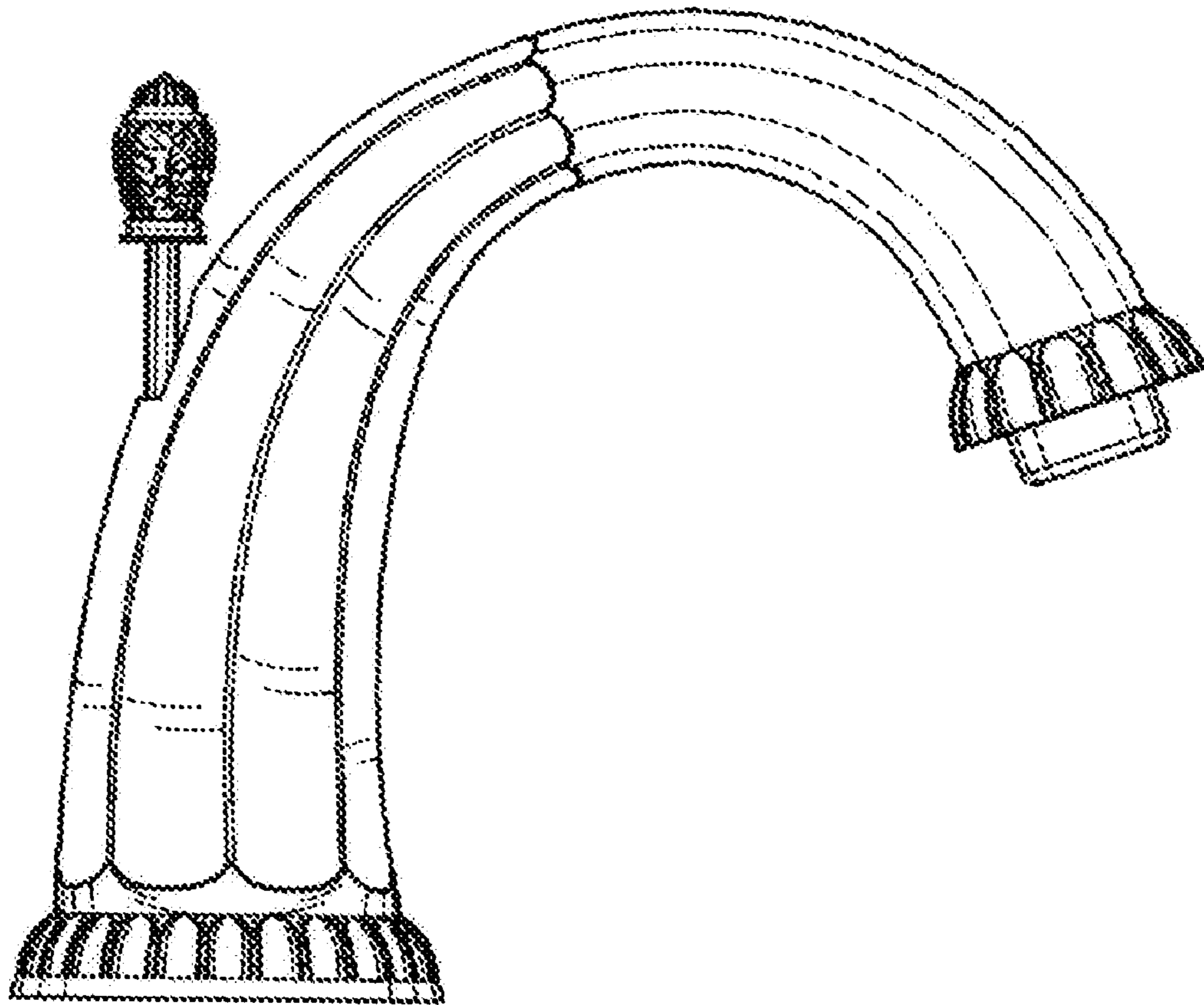


FIG. 4

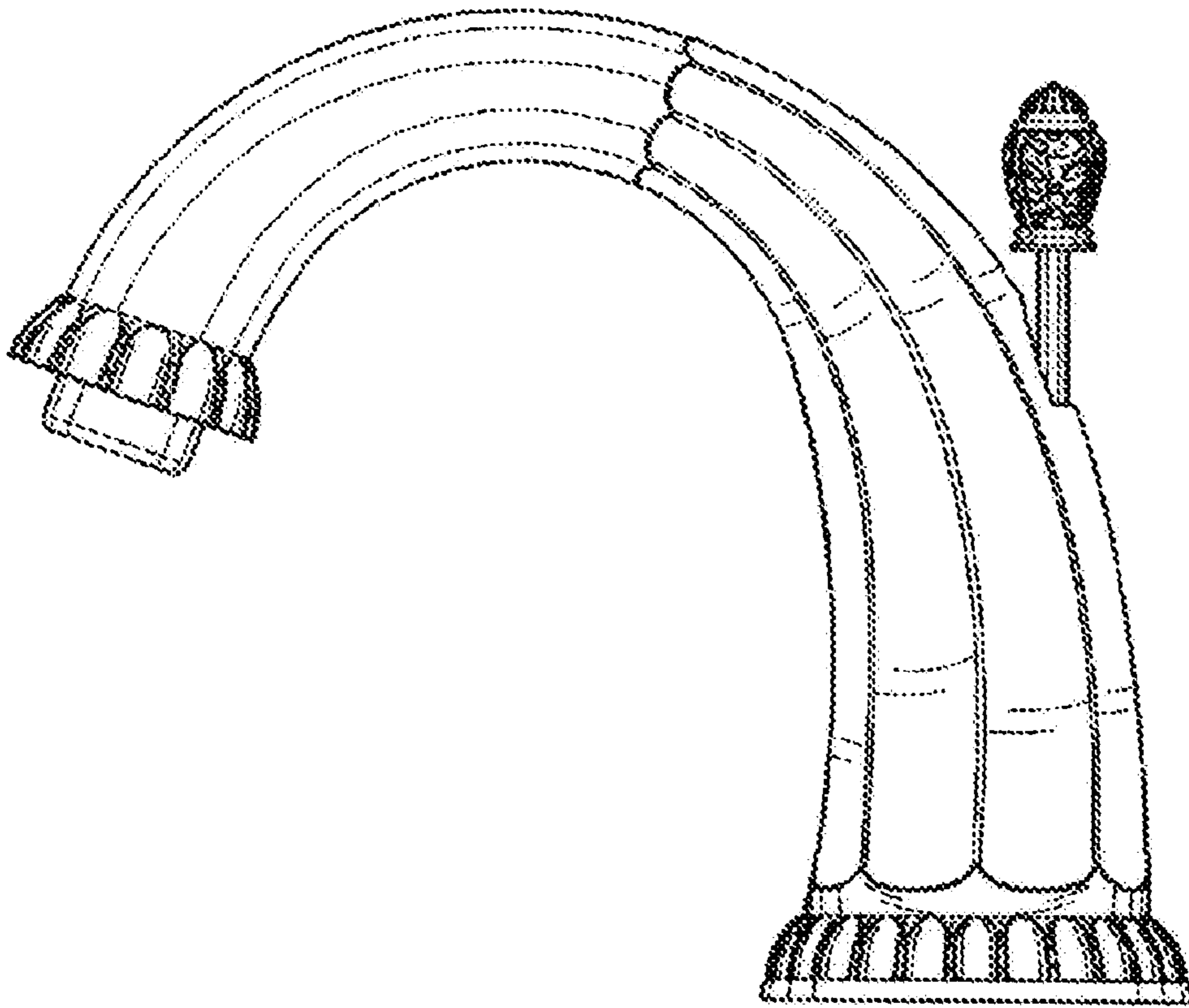


FIG. 5



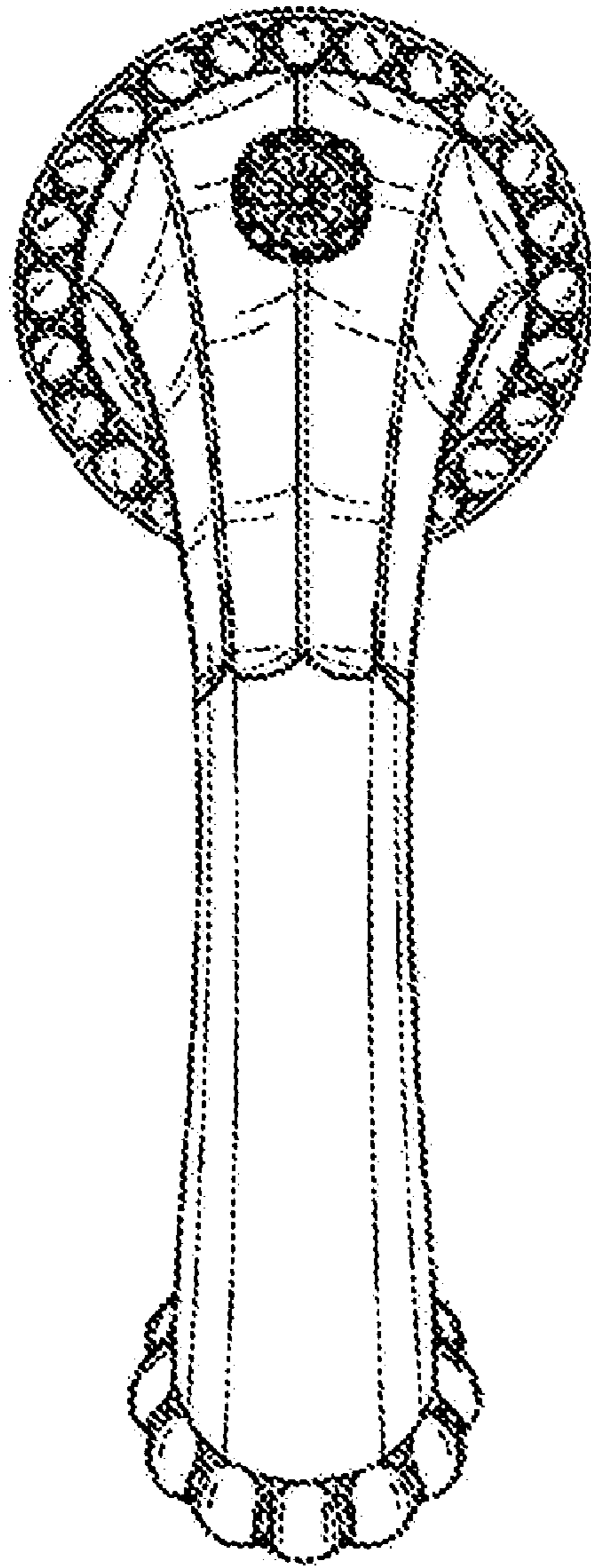


FIG. 6