

US00D533627S

(12) **United States Design Patent**
Kirar

(10) **Patent No.:** **US D533,627 S**

(45) **Date of Patent:** **** Dec. 12, 2006**

(54) **HAND SHOWER**

(75) Inventor: **Laura K. Kirar**, New York, NY (US)

(73) Assignee: **Kohler Co.**, Kohler, WI (US)

(**) Term: **14 Years**

(21) Appl. No.: **29/229,657**

(22) Filed: **May 10, 2005**

(51) **LOC (8) Cl.** **23-01**

(52) **U.S. Cl.** **D23/223**

(58) **Field of Classification Search** D23/213,
D23/223, 226, 229-30; 239/587.1, 282-3,
239/394, 462

See application file for complete search history.

(56) **References Cited**

U.S. PATENT DOCUMENTS

D432,624 S	*	10/2000	Chan	D23/223
6,264,121 B1	*	7/2001	McClary	239/525
D511,809 S	*	11/2005	Haug et al.	D23/223
D513,525 S	*	1/2006	Haug et al.	D23/223

OTHER PUBLICATIONS

Website page, Brasstech, showing various handshower designs, May 9, 2005.

Aqualisa catalog page, Turbostream.

Website catalog page, Grohe, Shower Products, showing various shower units, 2004.

Kohler catalog, page showing showerhead unit.

* cited by examiner

Primary Examiner—Robin Webster

(74) *Attorney, Agent, or Firm*—Quarles & Brady LLP

(57) **CLAIM**

The ornamental design for a hand shower, as shown and described.

DESCRIPTION

In a preferred embodiment, the nature of this product is a hand shower primarily useful for washing the human body. FIG. 1 is a left, top, front perspective view of a hand shower according to my new design;

FIG. 2 is a left side elevational view thereof, the right side elevational view thereof being a mirror image of the left side shown;

FIG. 3 is a top plan view thereof;

FIG. 4 is a front elevational view thereof;

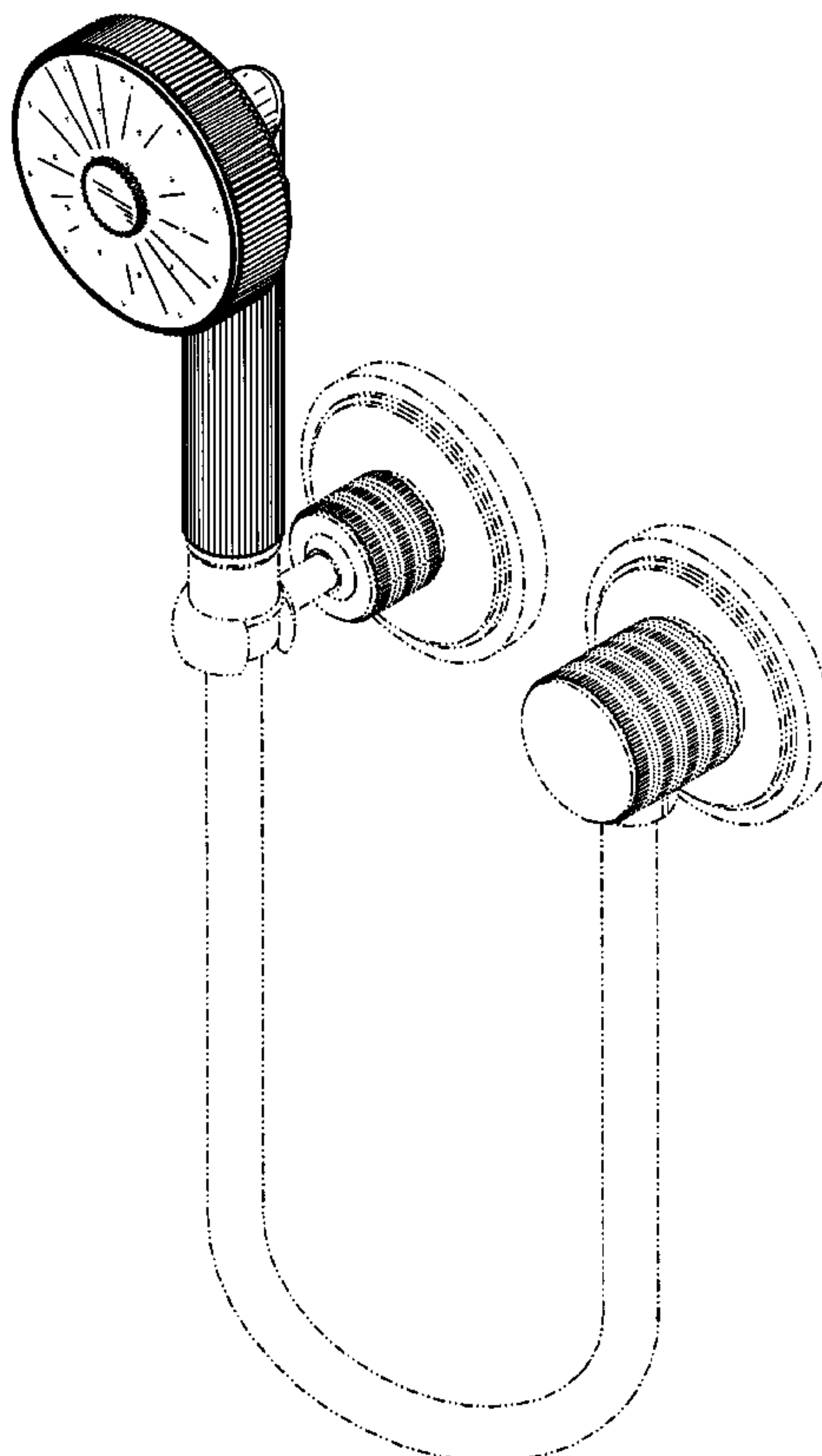
FIG. 5 is a rear elevational view thereof;

FIG. 6 is a bottom plan view thereof;

FIG. 7 is a right, top, front perspective view of my hand shower shown in a wall mounted environment; and, FIG. 8 is a front elevational view thereof.

The broken line representations of mounting structure and environment in the figures and of outlet holes in FIGS. 4, 6, 7 and 8 are for the purpose of illustration only, and form no part of the claimed design.

1 Claim, 6 Drawing Sheets



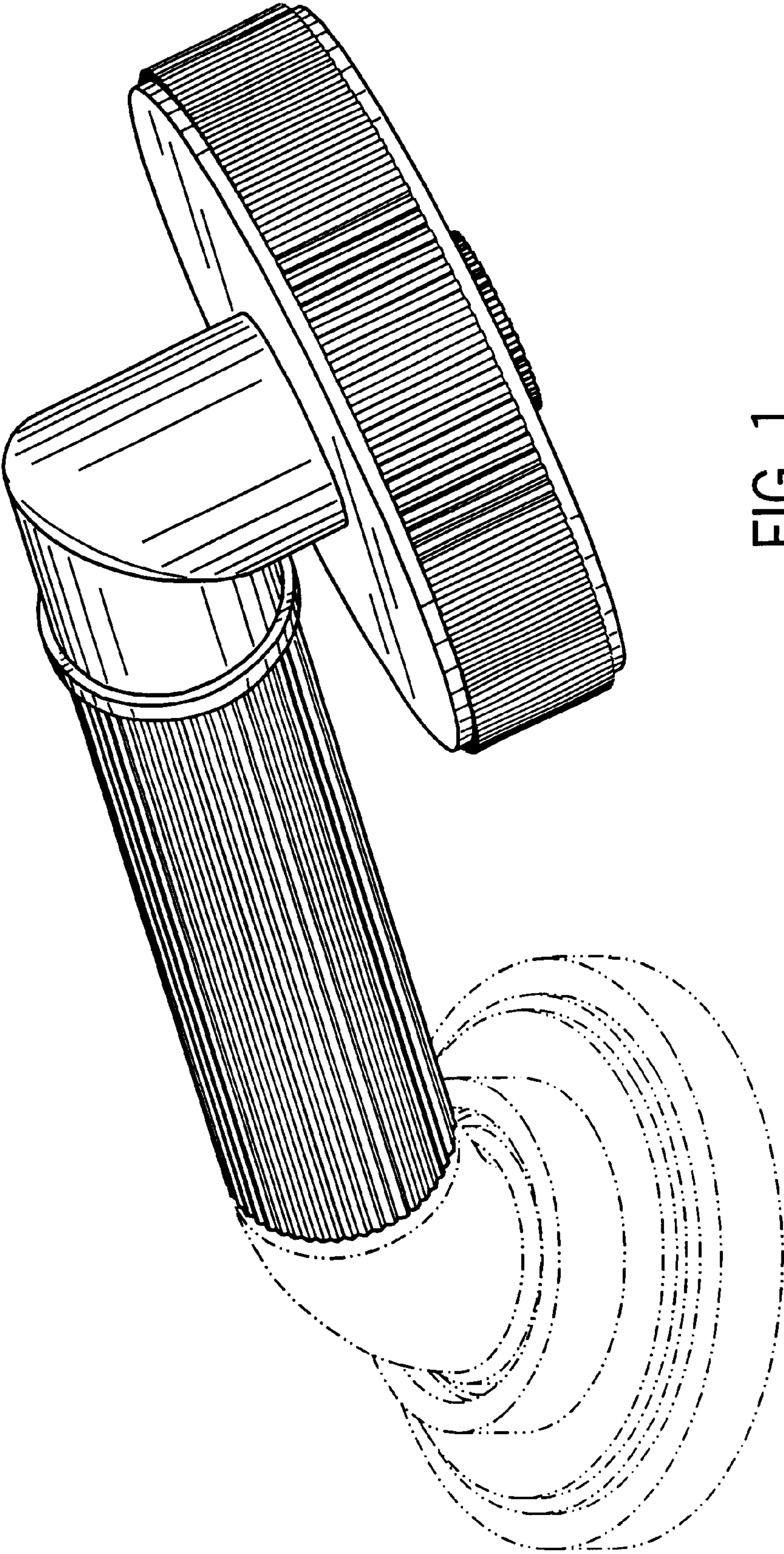


FIG. 1

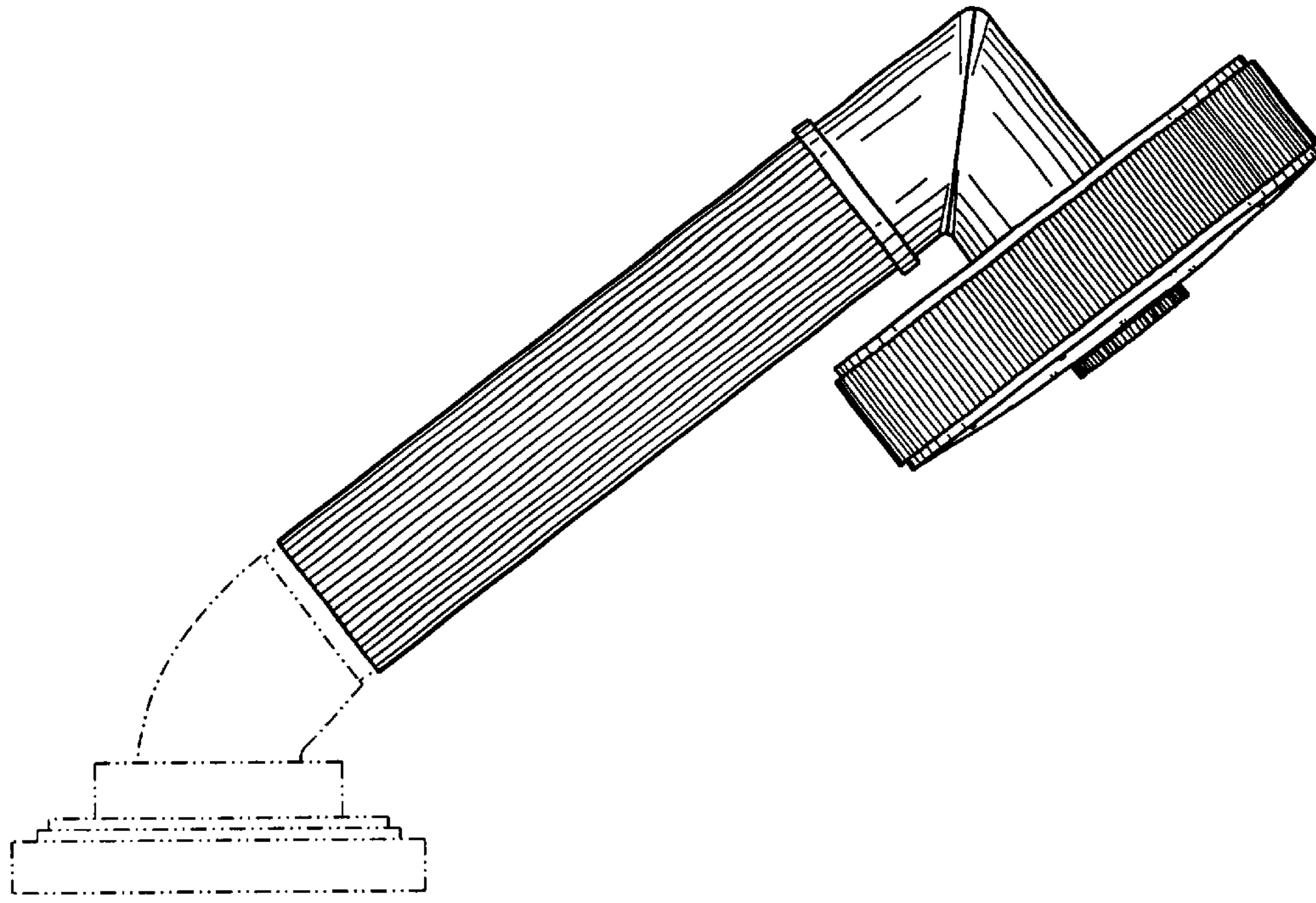


FIG. 2

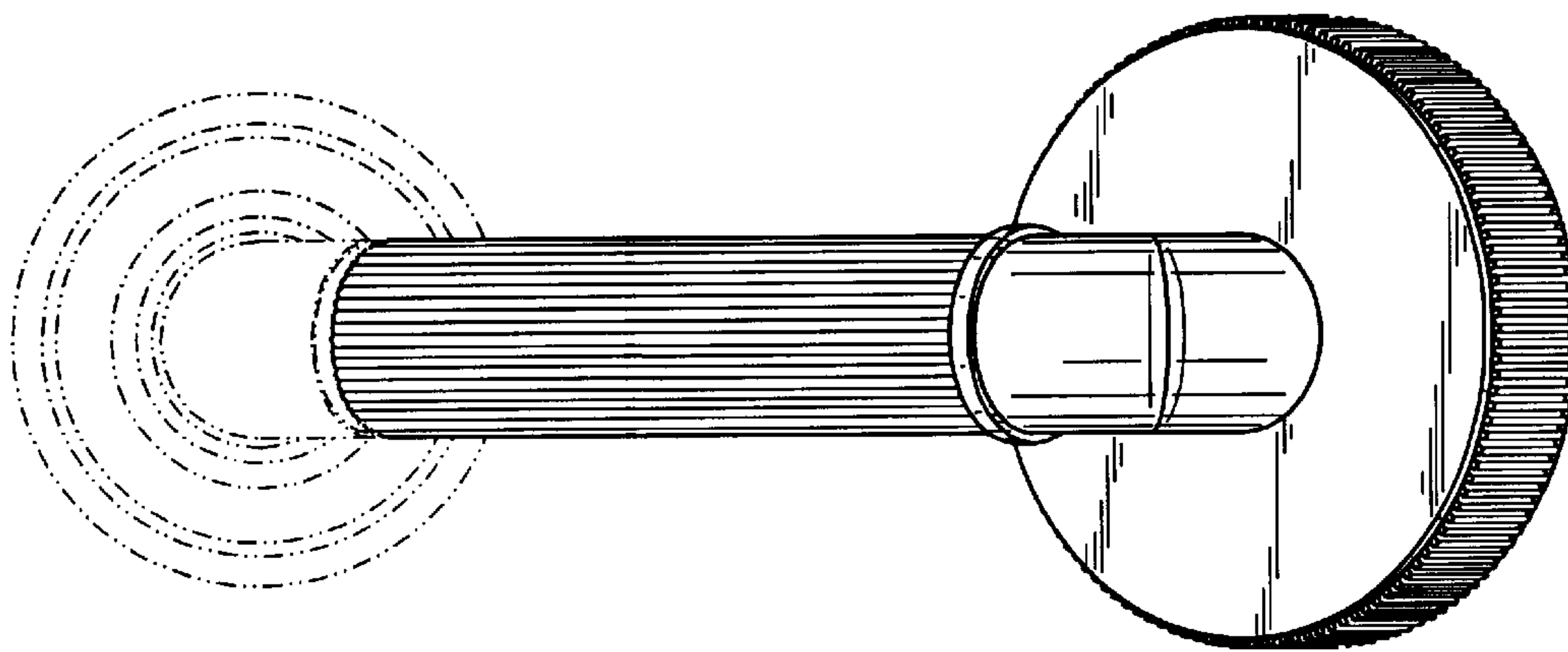


FIG. 3

FIG. 4

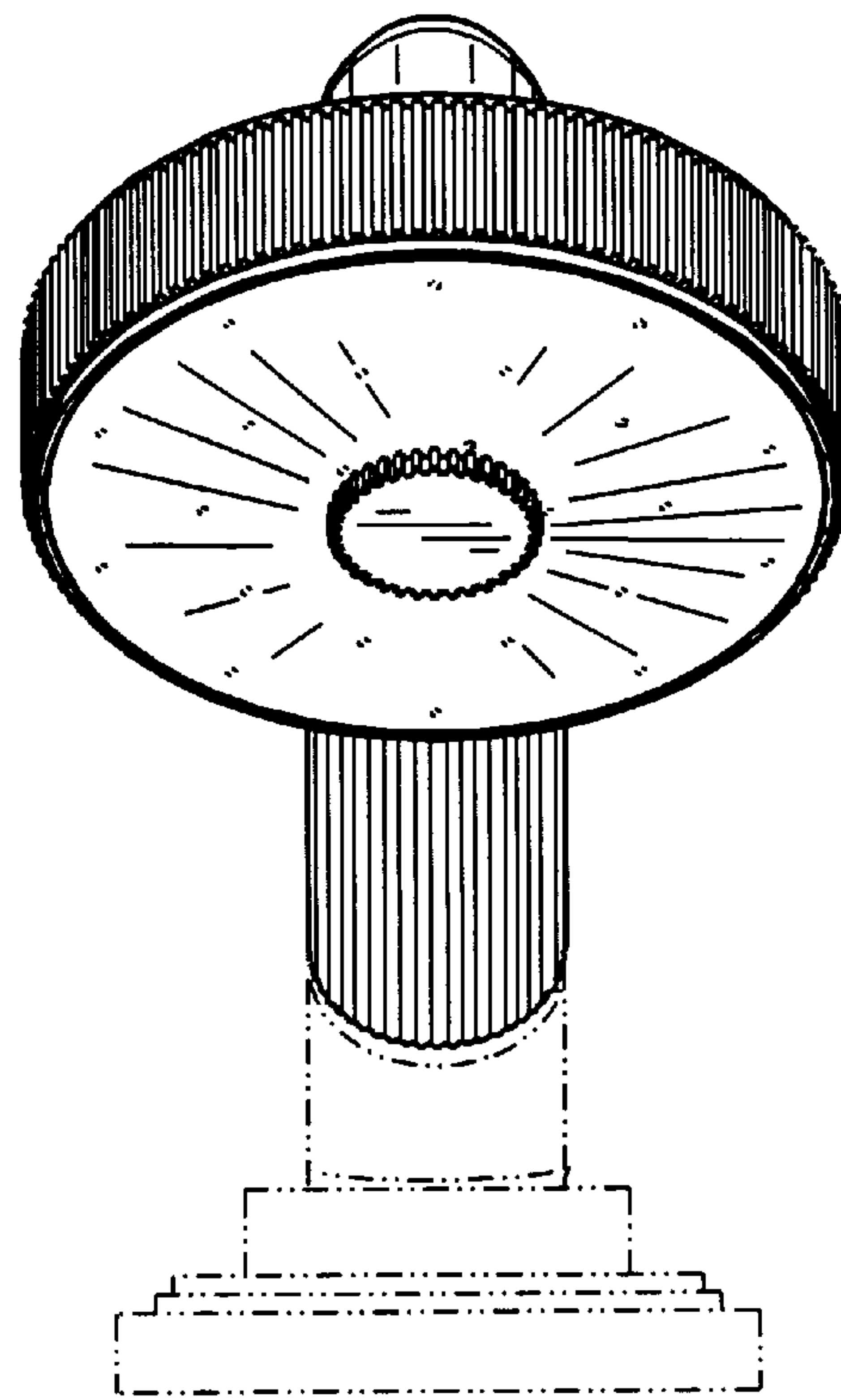
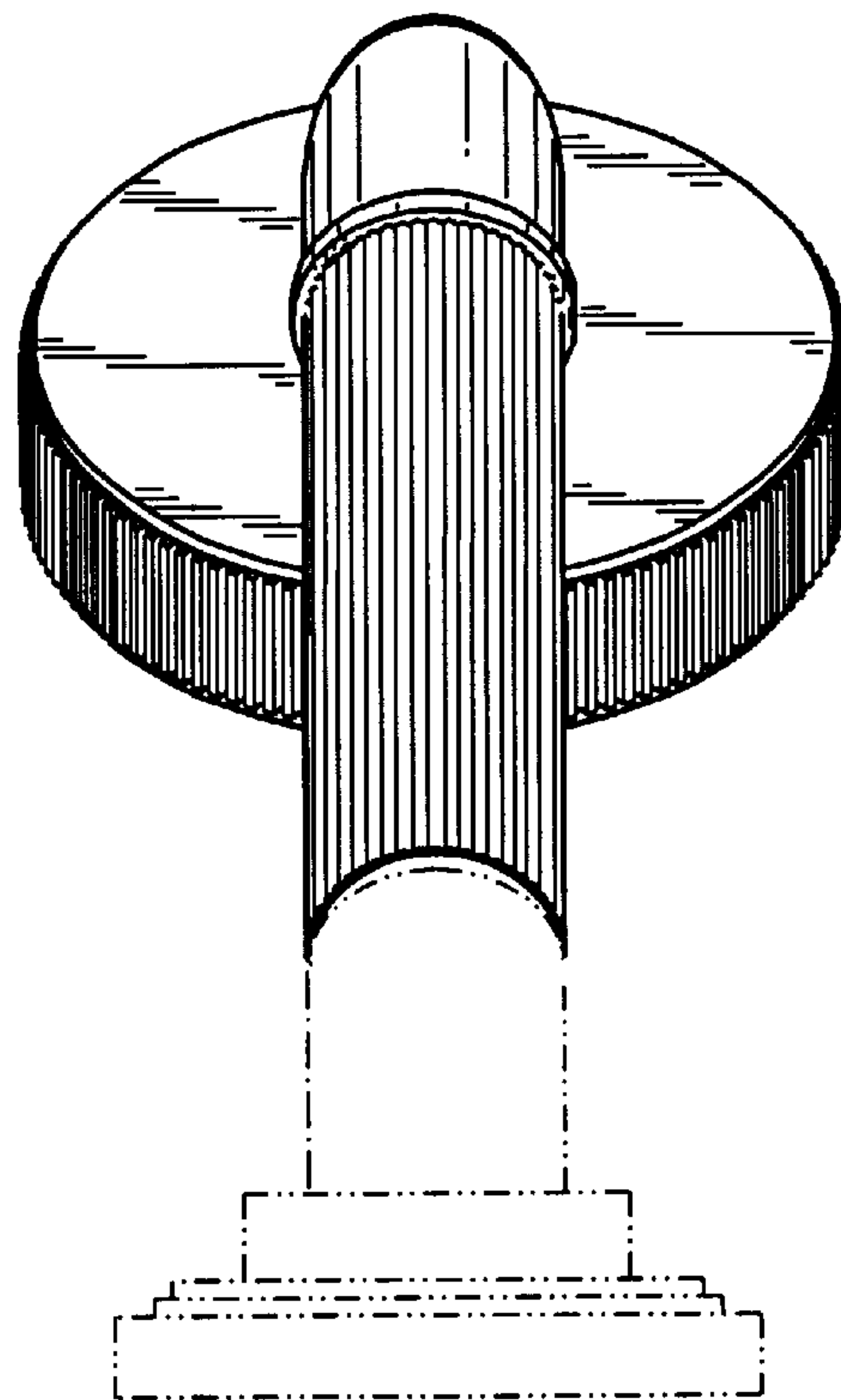


FIG. 5



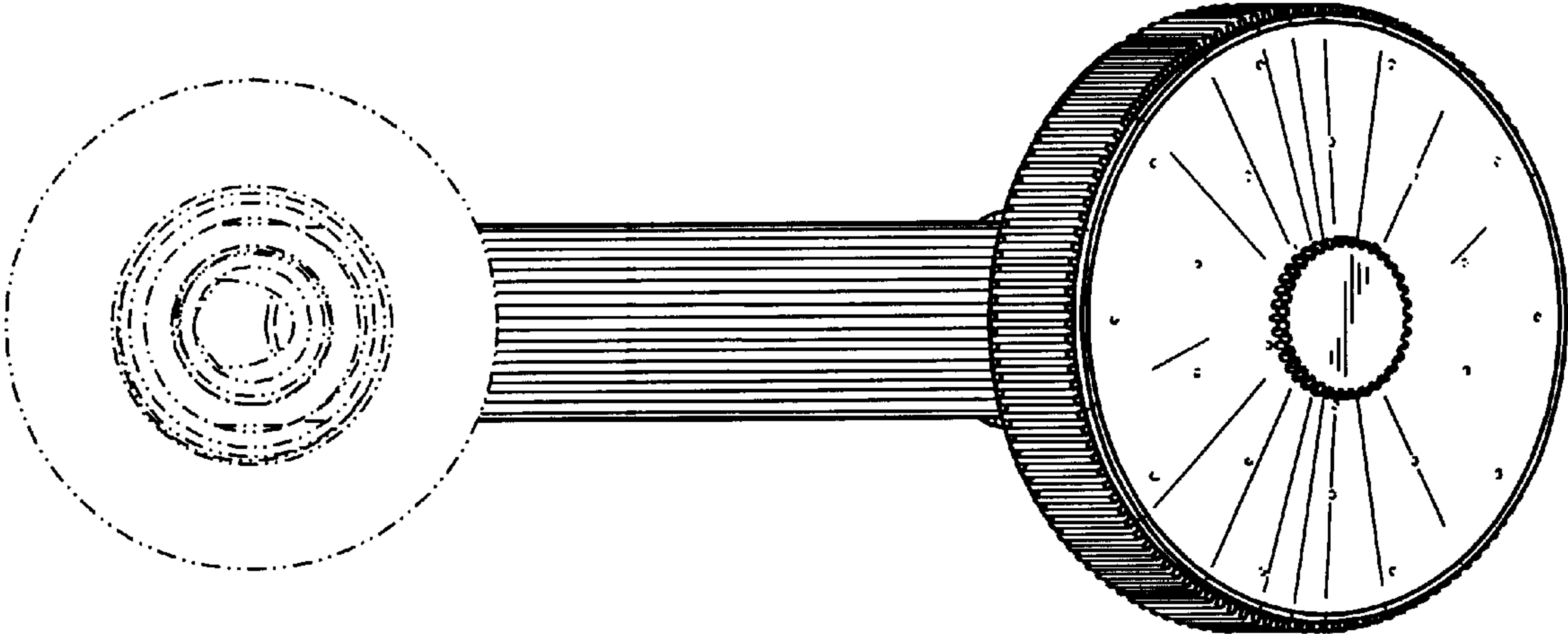


FIG. 6

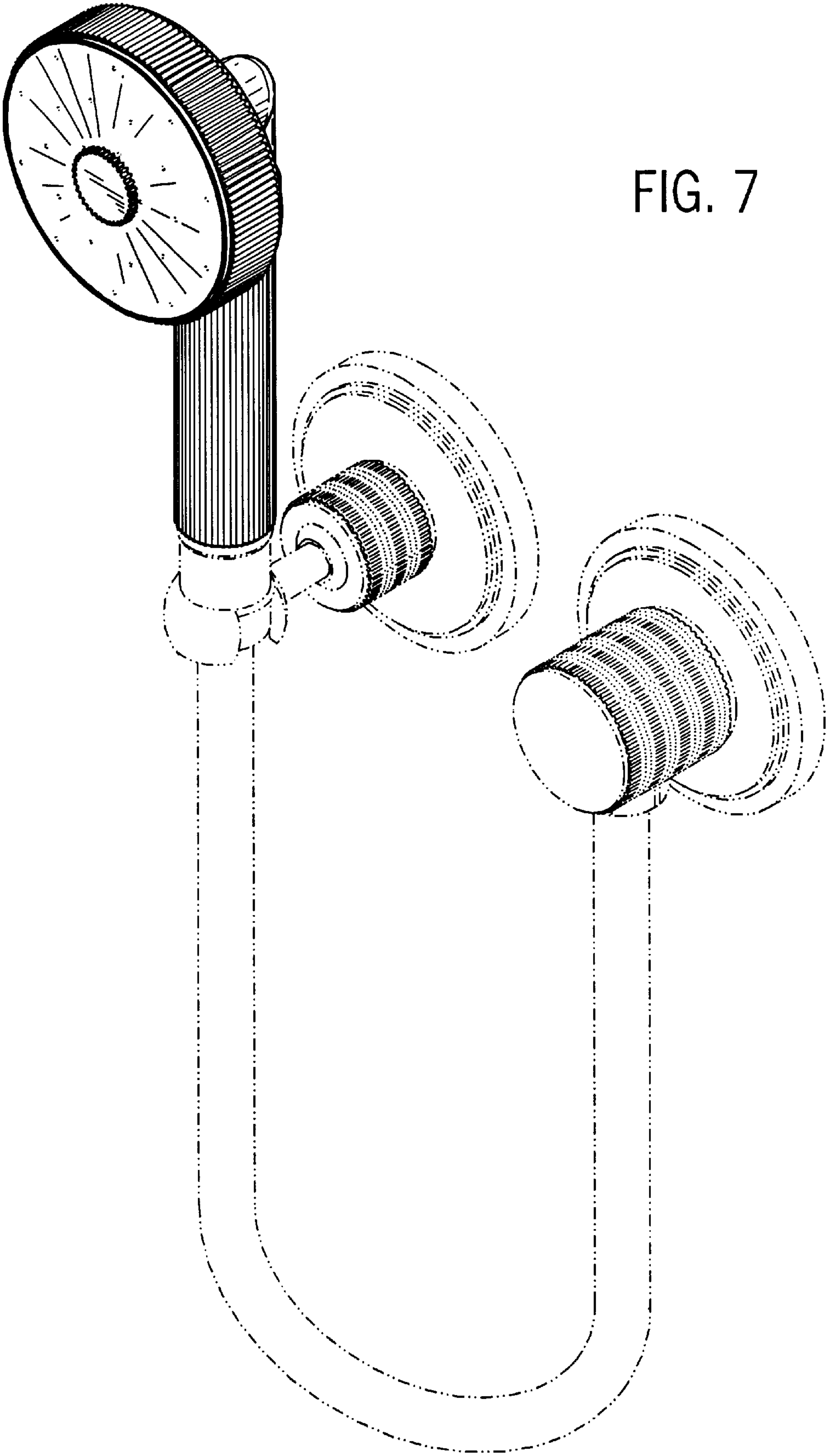


FIG. 7

