



US00D533623S

(12) **United States Design Patent**
Carrothers

(10) **Patent No.:** **US D533,623 S**

(45) **Date of Patent:** **** Dec. 12, 2006**

(54) **INLINE FUEL FILTER HOUSING**

(75) Inventor: **Kyle Carrothers**, Hartland, MI (US)

(73) Assignee: **Roush Enterprises, Inc.**, Livonia, MI (US)

(**) Term: **14 Years**

(21) Appl. No.: **29/227,712**

(22) Filed: **Apr. 14, 2005**

(51) **LOC (8) Cl.** **23-01**

(52) **U.S. Cl.** **D23/209**

(58) **Field of Classification Search** D23/209;
210/416.4, 282

See application file for complete search history.

(56) **References Cited**

U.S. PATENT DOCUMENTS

4,427,542	A	*	1/1984	Glover	210/121
4,861,478	A	*	8/1989	Hall	210/416.4
5,474,678	A	*	12/1995	Shanlever, Jr.	210/416.4
6,605,210	B1	*	8/2003	Reinhardt	210/130
D520,107	S	*	5/2006	Jones et al.	D23/213

OTHER PUBLICATIONS

Canister Style Fuel Filter, http://productengr.com/fuel_filters.htm.

Powerflow Fuel Filter, <http://professional-products.com/fuelfilters.htm>.

JC Whitney Everything Automotive, <http://www.jcwhitney.com/autoparts/browse>.

JC Whitney Everything Automotive, <http://www.jcwhitney.com/autoparts/browse>.

* cited by examiner

Primary Examiner—Robin Webster

(74) *Attorney, Agent, or Firm*—Dobrusin & Thennisch PC

(57) **CLAIM**

The ornamental design for inline fuel filter housing, as shown and described.

DESCRIPTION

FIG. 1 shows a perspective view of an inline fuel filter housing incorporating my design.

FIG. 2 shows a front view of the inline fuel filter housing shown in FIG. 1.

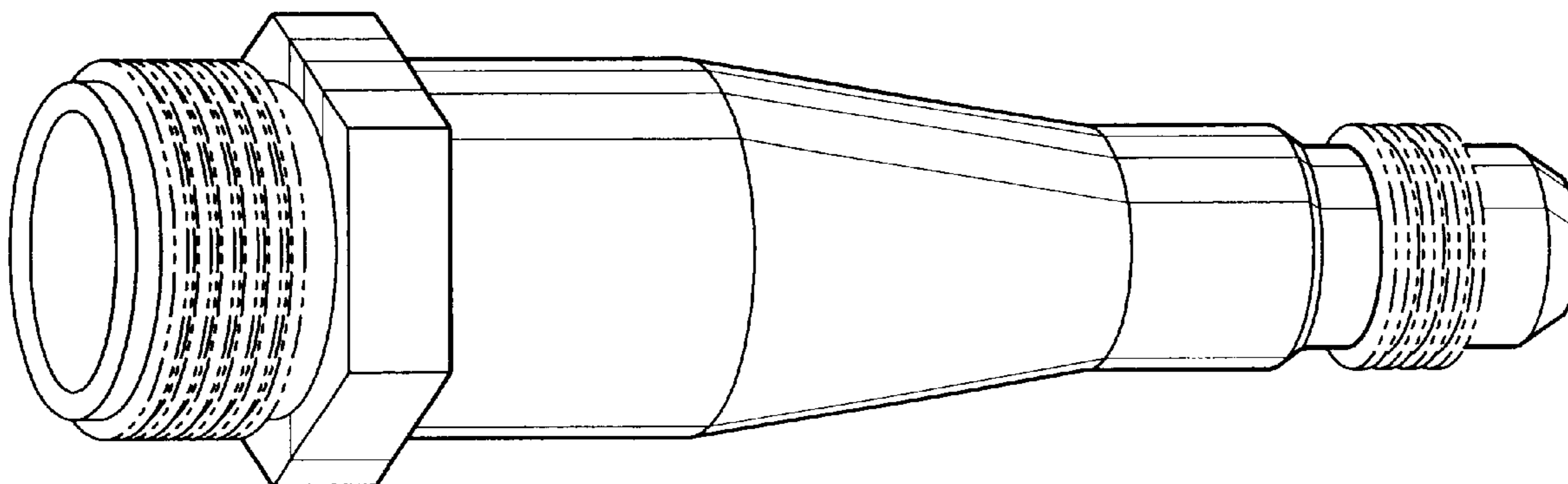
FIG. 3 shows a rear view of the inline fuel filter housing shown in FIG. 1.

FIG. 4 shows a top view of the inline fuel filter housing shown in FIG. 1; and,

FIG. 5 shows a bottom view of the inline fuel filter housing shown in FIG. 1.

The broken lines in the drawings depict environmental structure that forms no part of the claimed invention.

1 Claim, 1 Drawing Sheet



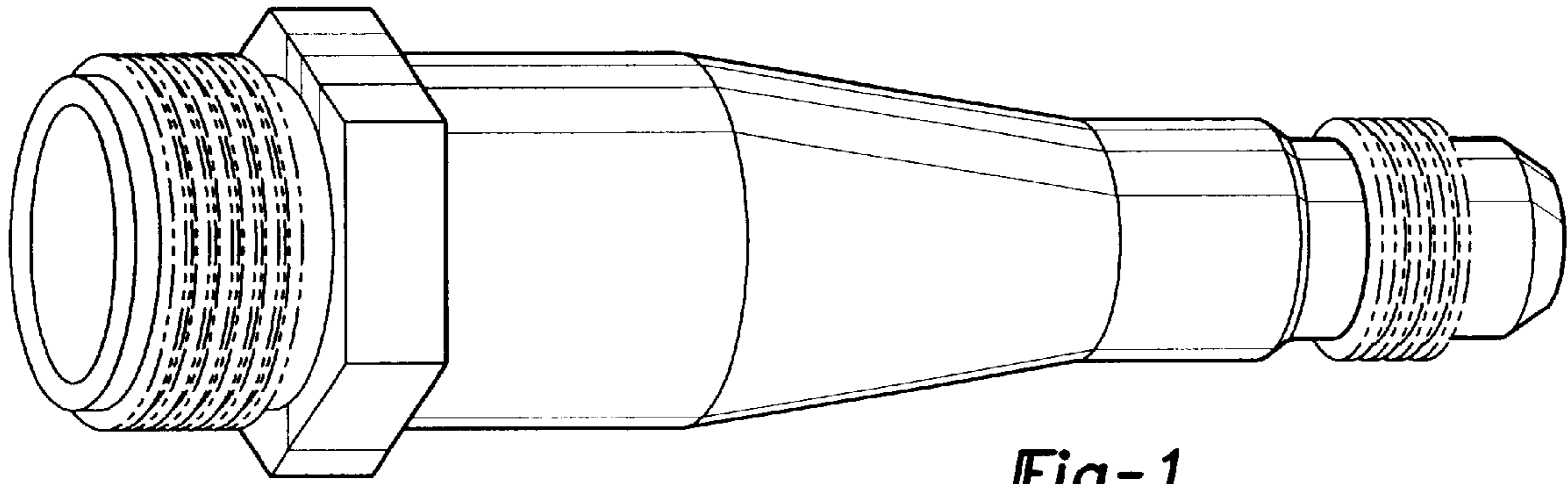


Fig-1

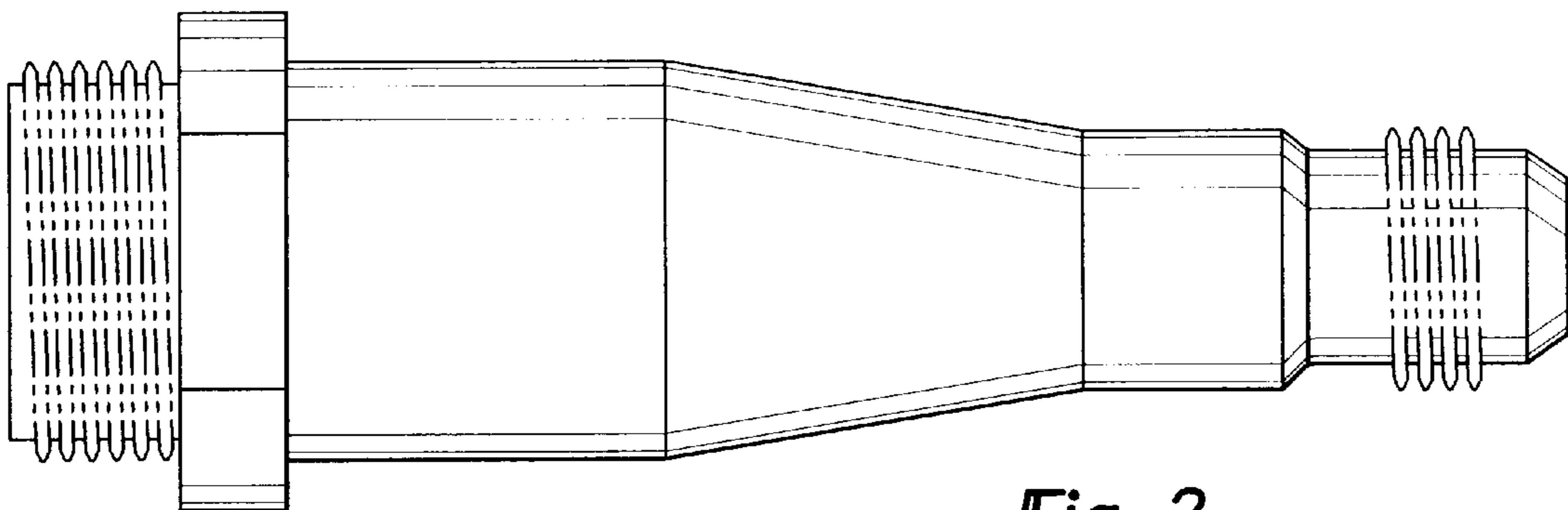


Fig-2

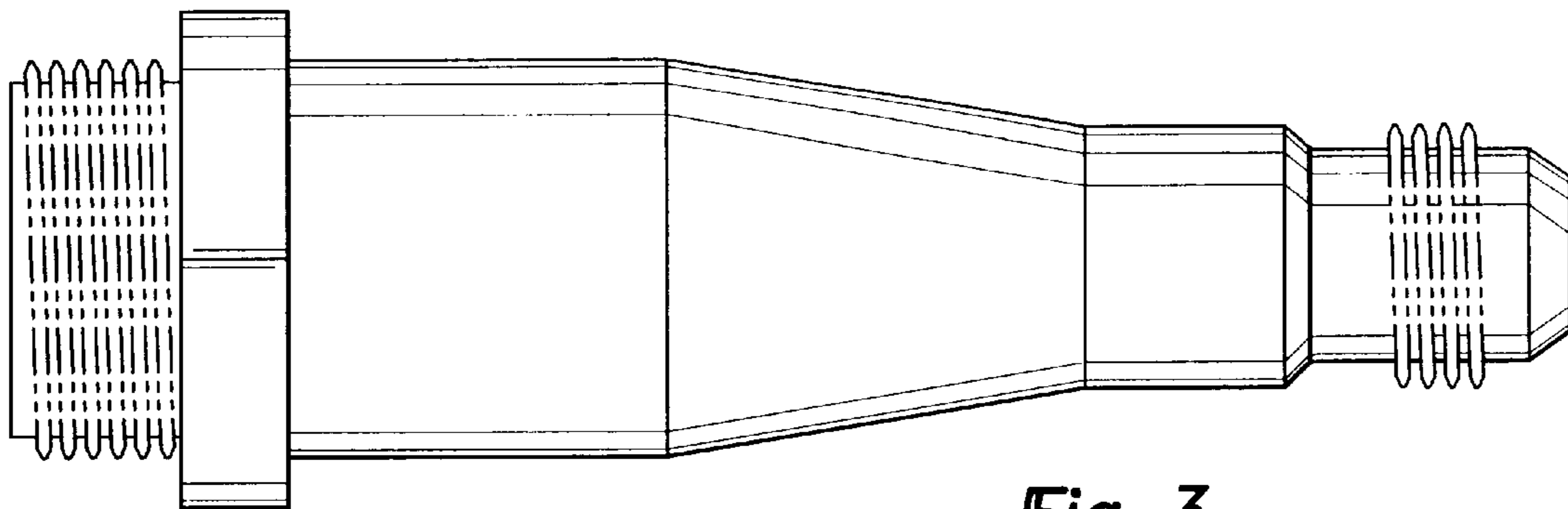


Fig-3

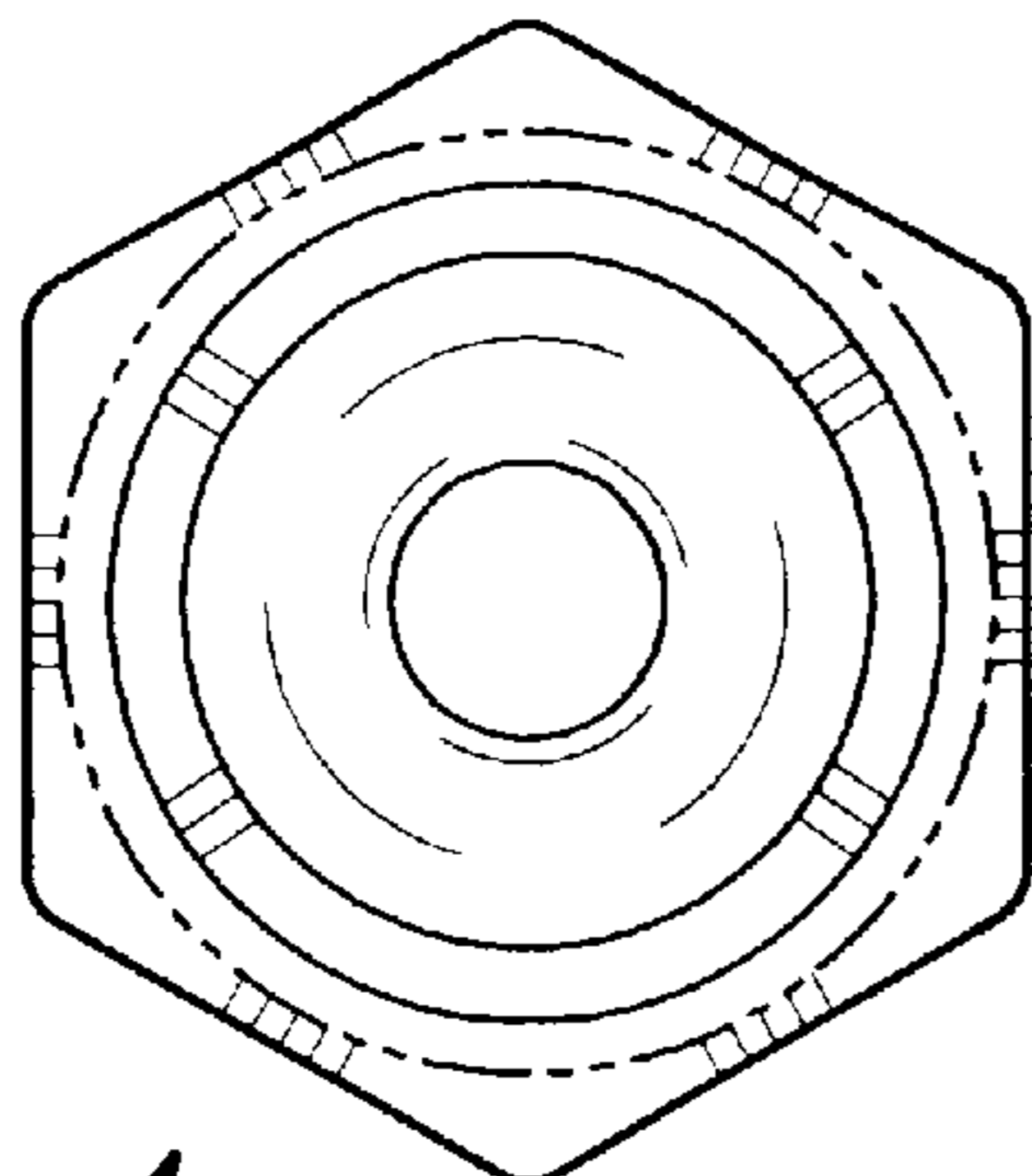


Fig-4

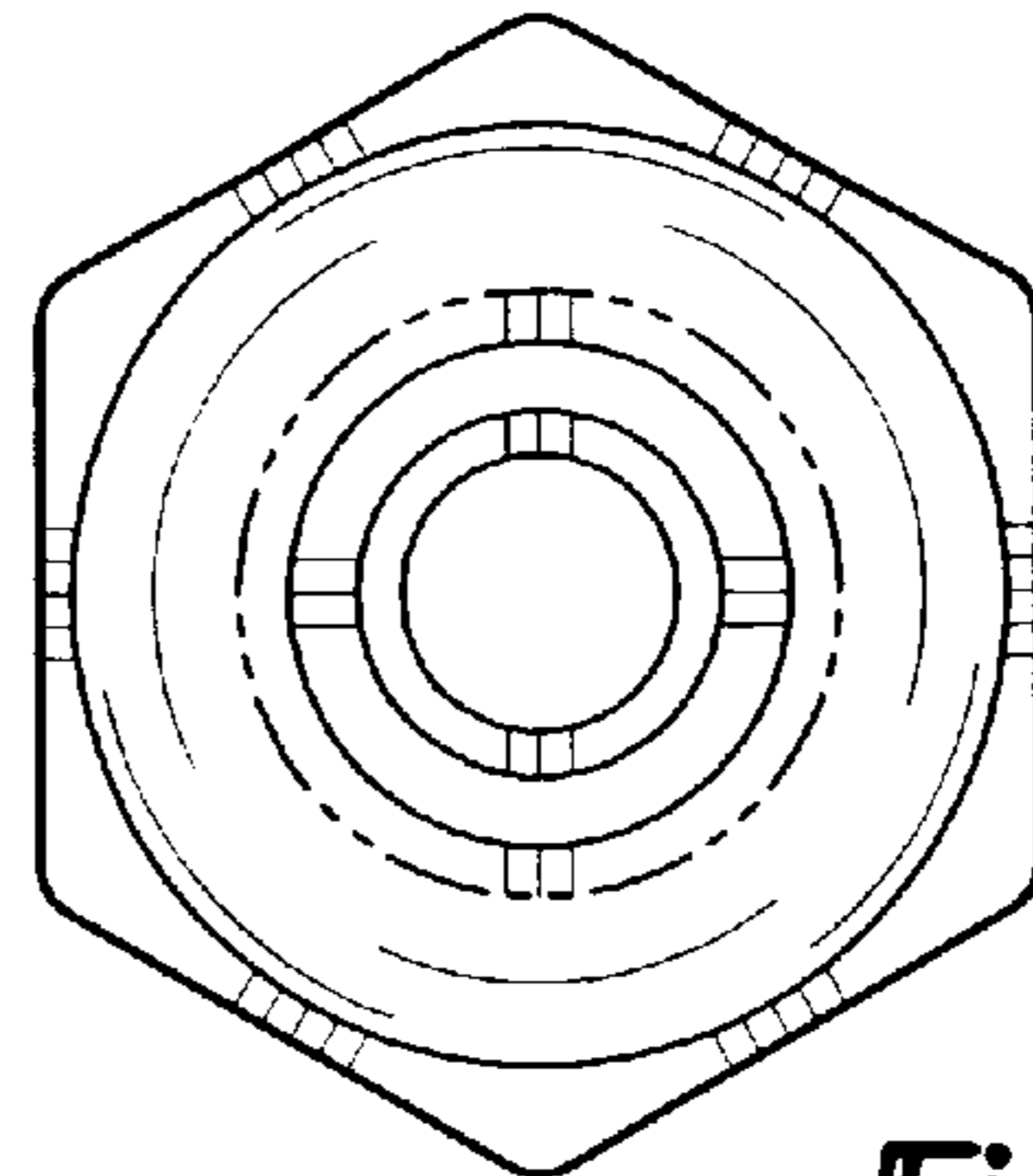


Fig-5