



US00D533622S

(12) **United States Design Patent**
Ross et al.

(10) **Patent No.:** **US D533,622 S**
(45) **Date of Patent:** **** Dec. 12, 2006**

(54) **END-OF-FAUCET FILTER**

(75) Inventors: **Catherine Ross**, Fort Collins, CO (US);
Paul Metaxatos, Charlestown, MA
(US); **Steffan Koury**, Chelsea, MA
(US)

(73) Assignee: **Water Pik, Inc.**, Fort Collins, CO (US)

(**) Term: **14 Years**

(21) Appl. No.: **29/201,630**

(22) Filed: **Mar. 17, 2004**

Related U.S. Application Data

(60) Provisional application No. 60/507,990, filed on Oct. 1, 2003.

(51) **LOC (8) Cl.** **23-01**

(52) **U.S. Cl.** **D23/209**

(58) **Field of Classification Search** D23/207,
D23/209; 210/460, 461, 418, 587, 449
See application file for complete search history.

(56) **References Cited**

U.S. PATENT DOCUMENTS

329,064 A	10/1885	Moore
606,804 A	7/1898	Eastman
1,508,056 A	9/1924	Jansen
1,934,159 A	11/1933	Auberschek

(Continued)

FOREIGN PATENT DOCUMENTS

EP	267701	5/1988
EP	340382	11/1989
GB	273348	7/1927
GB	2206292	6/1987
GB	2219662	6/1988

(Continued)

OTHER PUBLICATIONS

Shuttle I-32 Iodine-Based Water Disinfection System; Pure 1 Systems, Billerica, MA Nov. 15, 1995.

SemperCHLOR Drinking Water Chlorinator System; SemperPure Systems, Inc., New Rochelle, NY, 1995.

The SemperPURE Iodine-Based Water Disinfection System; SemperPure Systems, Inc., New Rochelle, NY, 1995. SemperPure is the solution, for clean, safe, economical water... when others run dry; SemperPure Systems, Inc., New Rochelle, NY, 1994.

Pure1 is the solution, for clean, safe, economical water... when others run dry; SemperPure Systems, Inc., New Rochelle, NY 1995.

EasyFull 1-31 Iodine Disinfection System; SemperPure Systems, Inc., New Rochelle, NY 1995.

EasyFull 29 Water Filtration System; Semper Pure Systems, Inc., New Rochelle, NY, 1995.

SemperPRO Reverse Osmosis Systems; SemperPure Systems, Inc. New Rochelle, NY, 1995.

(Continued)

Primary Examiner—Robin Webster

(74) *Attorney, Agent, or Firm*—Dorsey & Whitney LLP

(57) **CLAIM**

We claim the design for an end-of-faucet filter, as shown and described.

DESCRIPTION

FIG. 1 is an isometric view looking toward the top, front, and left sides of an end-of-faucet filter;

FIG. 2 is an isometric view looking toward the bottom, front, and left side of the end-of-faucet filter depicted in FIG. 1; FIG. 3 is a top plan view of the end-of-faucet filter depicted in FIG. 1;

FIG. 4 is a left side view of the end-of-faucet filter depicted in FIG. 1;

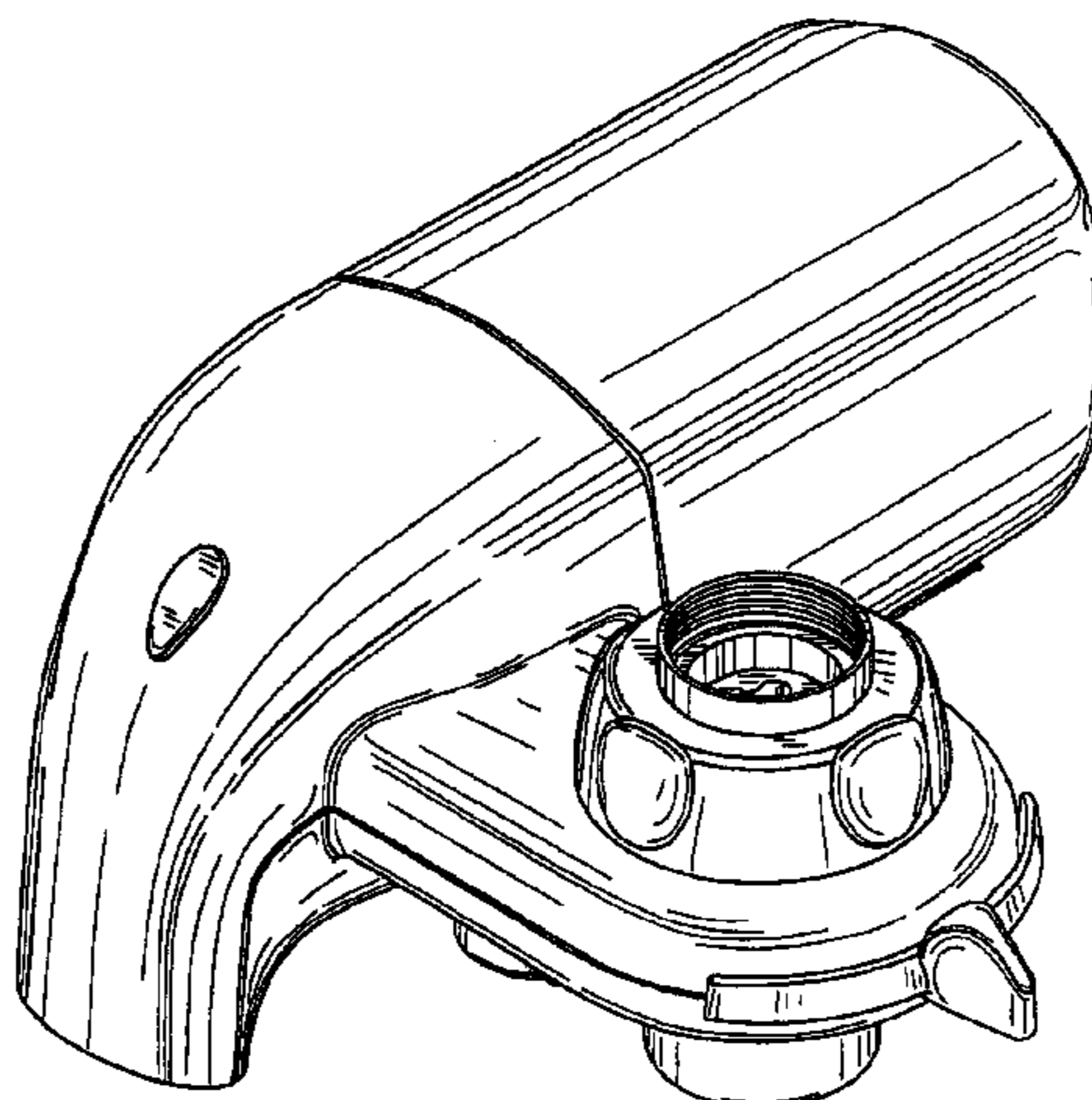
FIG. 5 is a front view of the end-of-faucet filter depicted in FIG. 1;

FIG. 6 is a rear view of the end-of-faucet filter depicted in FIG. 1;

FIG. 7 is a bottom plan view of the end-of-faucet filter depicted in FIG. 1; and,

FIG. 8 is a right side view of the end-of-faucet filter depicted in FIG. 1.

1 Claim, 6 Drawing Sheets



US D533,622 S

Page 2

U.S. PATENT DOCUMENTS							
2,019,319	A	10/1935	Robinovitz	3,967,638	A	7/1976	Tondreau
2,280,033	A	4/1942	Aldman	3,975,273	A	8/1976	Shaltz et al.
2,407,190	A	9/1946	Tait	4,021,343	A	5/1977	Tyler
2,473,986	A	6/1949	Booth	4,024,991	A	5/1977	Tyson et al.
2,499,494	A	3/1950	Greer	4,036,755	A	7/1977	Dahm et al.
2,529,817	A	11/1950	Russell	4,059,520	A	11/1977	Roller
2,582,885	A	1/1952	Rosenblatt	4,059,522	A	11/1977	Polley et al.
2,721,089	A	10/1955	Shames	4,059,528	A	11/1977	Grosshandler
2,736,435	A	2/1956	Gardes	4,061,573	A	12/1977	Biron
2,738,105	A	3/1956	Wolfer et al.	4,065,392	A	12/1977	Gammon
2,774,584	A	12/1956	Agnides	4,066,551	A	1/1978	Stern
2,781,312	A	2/1957	Klumb et al.	4,072,615	A	2/1978	McConnell
2,792,942	A	5/1957	Feuillet	4,077,883	A	3/1978	Bray
2,886,180	A	5/1959	Morgan et al.	4,107,046	A	8/1978	Corder
3,002,384	A	10/1961	MacDonald	4,111,813	A	9/1978	Preus
3,038,610	A	6/1962	Hetherington	4,121,199	A	10/1978	Young
3,080,972	A	3/1963	Smith	4,145,291	A	3/1979	Console et al.
3,144,878	A	8/1964	Williams	4,147,631	A	4/1979	Deines et al.
3,160,008	A	12/1964	Gestler	4,151,092	A	4/1979	Grimm et al.
3,250,397	A	5/1966	Moltchan	4,154,586	A	5/1979	Jones et al.
3,263,812	A	8/1966	Hartley	4,162,979	A	7/1979	Wahlefeld et al.
3,266,628	A	8/1966	Price	4,172,796	A	10/1979	Corder
3,327,859	A	6/1967	Pall	4,173,549	A	11/1979	Kent
3,331,509	A	7/1967	Gray et al.	4,176,063	A	11/1979	Tyler
3,366,143	A	1/1968	Bauer	D253,841	S	1/1980	Sanderson
3,408,295	A	10/1968	Vaichulis	4,190,529	A	2/1980	Hatch
3,439,809	A	4/1969	McPherran	4,190,542	A	2/1980	Hodgson et al.
3,450,632	A	6/1969	Olson et al.	4,195,522	A	4/1980	Anderson et al.
3,462,363	A	8/1969	Mills	4,198,296	A	4/1980	Doumas et al.
3,474,600	A	10/1969	Tobias	4,199,982	A	4/1980	Wemyss
3,486,622	A	12/1969	Rosaen et al.	4,212,743	A	7/1980	Van Meter et al.
3,493,496	A	2/1970	Bray	4,214,993	A	7/1980	Forsythe et al.
3,504,796	A	4/1970	Bray	4,218,317	A	8/1980	Kirschmann
3,520,417	A	7/1970	Durr et al.	4,224,826	A	9/1980	McLoughlin et al.
3,522,882	A	8/1970	Dykes	4,225,443	A	9/1980	Harris et al.
3,540,030	A	11/1970	Hartz	4,238,477	A	12/1980	Lambert et al.
3,540,594	A	11/1970	Sanderson	4,253,341	A	3/1981	Ikeda et al.
3,556,304	A	1/1971	Collard et al.	4,261,863	A	4/1981	Kent
3,585,596	A	6/1971	Rosenblatt	4,265,127	A	5/1981	Onoda
3,595,399	A	7/1971	Whittier et al.	4,265,760	A	5/1981	Abel et al.
3,664,506	A	5/1972	Meunier et al.	4,271,015	A	6/1981	Moore
3,697,055	A	7/1972	Clark et al.	4,272,368	A	6/1981	Foord et al.
3,688,911	A	9/1972	Boerg	4,275,194	A	6/1981	Kato et al.
3,693,632	A	9/1972	Tolman	4,280,906	A	7/1981	Liljegren
3,724,665	A	4/1973	Hall	4,283,283	A	8/1981	Zimmerman
3,726,793	A	4/1973	Bray	4,298,025	A	11/1981	Prior et al.
3,741,394	A	6/1973	Defenbaugh	4,298,475	A	11/1981	Gartner
3,746,168	A	7/1973	Willinger et al.	4,301,010	A	11/1981	Eddleman et al.
3,746,174	A	7/1973	Watanabe	4,303,521	A	12/1981	Lehmann
3,746,640	A	7/1973	Bray	4,306,971	A	12/1981	Hankammer
3,747,767	A	7/1973	Hankammer	4,310,828	A	1/1982	Baker
3,770,129	A	11/1973	Brumfield et al.	D263,078	S	2/1982	Eddleman et al.
3,772,189	A	11/1973	Kreusch et al.	4,321,288	A	3/1982	Ostreicher
3,785,497	A	1/1974	Giffard	4,321,461	A	3/1982	Walter, Jr. et al.
3,794,172	A	2/1974	Bray	4,358,376	A	11/1982	Morluchi et al.
3,794,173	A	2/1974	Bray	4,361,050	A	11/1982	Coussot et al.
3,799,352	A	3/1974	McClive	D267,536	S	1/1983	Findlay
3,802,563	A	4/1974	Sasaki et al.	4,367,149	A	1/1983	Kinman
3,817,860	A	6/1974	Lambert et al.	4,378,293	A	3/1983	Duke
3,827,636	A	8/1974	Parkinson	4,389,311	A	6/1983	La Freniere
3,831,757	A	8/1974	Gosset	4,391,712	A	7/1983	Tyler
3,853,761	A	12/1974	McClory	4,404,860	A	9/1983	Wood et al.
3,872,013	A	3/1975	Nishiso et al.	4,406,291	A	9/1983	Schwesinger
3,879,292	A	4/1975	McClive	4,411,791	A	10/1983	Ward
3,887,463	A	7/1975	Bray	4,419,235	A	12/1983	Sway
3,923,665	A	12/1975	Lambert et al.	4,419,236	A	12/1983	Hsu
3,950,251	A	4/1976	Hiller	4,420,590	A	12/1983	Gartner
3,950,253	A	4/1976	Stern	D272,565	S	2/1984	Levine
3,951,812	A	4/1976	Hsu	4,431,533	A	2/1984	Wrede
3,959,146	A	5/1976	Bray	4,431,717	A	2/1984	Kikuchi
				4,436,623	A	3/1984	Cullen et al.

US D533,622 S

4,456,222 A	6/1984	Shen	D301,770 S	6/1989	Bethany
4,457,843 A	7/1984	Cullen et al.	4,848,164 A	7/1989	Quarve et al.
4,459,269 A	7/1984	Zackay et al.	4,849,098 A	7/1989	Wilcock et al.
4,462,262 A	7/1984	Kahnke	4,853,302 A	8/1989	Yamanslaka et al.
4,463,880 A	8/1984	Kramer et al.	4,869,820 A	9/1989	Yee
4,464,261 A	8/1984	Cullen et al.	4,877,521 A	10/1989	Petrucci et al.
4,483,769 A	11/1984	Sherman	4,882,052 A	11/1989	Peranio
4,487,820 A	12/1984	Engelstein et al.	4,883,052 A	11/1989	Weiss et al.
4,489,616 A	12/1984	Priddy	4,885,081 A	12/1989	Oliver
535,817 A	3/1985	Darling et al.	4,888,118 A	12/1989	Barnes et al.
4,504,389 A	3/1985	Rundzaitis	4,902,427 A	2/1990	Szczepanik
4,505,823 A	3/1985	Klein	4,917,271 A	4/1990	Kanner et al.
4,512,201 A	4/1985	Konrad	4,918,426 A	4/1990	Butts et al.
4,522,077 A	6/1985	Koberle	4,923,091 A	5/1990	Sutera
4,529,511 A	7/1985	Breedon et al.	4,923,602 A	5/1990	Blood
4,534,227 A	8/1985	Petit	4,936,508 A	6/1990	Ingalz
4,536,290 A	8/1985	Bonazzo	4,938,389 A	7/1990	Rossi et al.
4,555,347 A	11/1985	O'Dowd et al.	4,940,542 A	7/1990	Simizu et al.
4,556,484 A	12/1985	Hunter et al.	4,944,876 A	7/1990	Miller
4,561,979 A	12/1985	Harms et al.	4,948,499 A	8/1990	Peranio
4,585,554 A	4/1986	Burrows	4,961,698 A	10/1990	Vlock
4,588,130 A	5/1986	Trenary et al.	4,969,996 A	11/1990	Hankammer
4,591,438 A	5/1986	Tanabe et al.	4,973,247 A	11/1990	Varnes et al.
4,594,361 A	6/1986	Beauman et al.	4,978,297 A	12/1990	Vlock
4,605,499 A	8/1986	Wise	4,994,185 A	2/1991	Cullen et al.
4,606,823 A	8/1986	Lucas, III	4,995,976 A	2/1991	Vermes et al.
4,623,451 A	11/1986	Oliver	4,999,109 A	3/1991	Sabre
4,626,350 A	12/1986	Reid	4,999,190 A	3/1991	Fina et al.
4,656,873 A	4/1987	Stewart	5,011,602 A	4/1991	Totani et al.
4,659,467 A	4/1987	Spearman	5,014,552 A	5/1991	Kamiunten et al.
4,661,344 A	4/1987	Relenyi	5,017,286 A	5/1991	Heiligman
4,666,061 A	5/1987	Pluess	5,017,318 A	5/1991	Vanderbilt et al.
4,680,116 A	7/1987	Kamiwada et al.	5,019,311 A	5/1991	Koslow
4,681,677 A	7/1987	Kuh et al.	5,024,600 A	6/1991	Kline
4,685,066 A	8/1987	Hafele et al.	5,045,195 A	9/1991	Spamgrud et al.
4,686,037 A	8/1987	Lang	5,049,139 A	9/1991	Gilchrist
4,689,147 A	8/1987	Leoncavallo et al.	5,050,772 A	9/1991	Brane et al.
4,695,375 A	9/1987	Tyler	5,055,641 A	10/1991	Richards
4,695,379 A	9/1987	Nohren, Jr. et al.	5,057,821 A	10/1991	Card
4,698,164 A	10/1987	Ellis	5,060,167 A	10/1991	Ticcioni et al.
4,708,790 A	11/1987	Bray	5,060,823 A	10/1991	Perlman
4,711,718 A	12/1987	Nelson, Jr.	D321,745 S	11/1991	Murrell
4,711,723 A	12/1987	Bray	5,065,901 A	11/1991	Brane et al.
4,713,175 A	12/1987	Bray	5,074,440 A	12/1991	Clements et al.
4,714,550 A	12/1987	Malson et al.	5,076,922 A	12/1991	DeAre
4,749,481 A	12/1987	Wheatley	5,078,876 A	1/1992	Whittier et al.
4,722,776 A	2/1988	Murphy et al.	5,089,144 A	2/1992	Ozkahyaoglu et al.
4,722,790 A	2/1988	Cawley et al.	5,096,574 A	3/1992	Birdsong et al.
4,732,674 A	3/1988	Tamura et al.	5,099,699 A	3/1992	Kobold
4,740,300 A	4/1988	Tapella et al.	5,105,993 A	4/1992	La Haye et al.
4,748,904 A	6/1988	Razeto et al.	5,106,500 A	4/1992	Hembree et al.
4,753,728 A	6/1988	Vanderbilt et al.	5,106,501 A	4/1992	Yang et al.
4,753,738 A	6/1988	Huang	5,110,479 A	5/1992	Frommer et al.
4,764,274 A	8/1988	Miller	5,114,042 A	5/1992	Sutera
4,769,135 A	9/1988	Norton	5,114,570 A	5/1992	Nelson et al.
4,769,143 A	9/1988	Deutsch et al.	5,118,681 A	6/1992	Amick et al.
4,769,144 A	9/1988	Nohren, Jr.	5,118,699 A	6/1992	Willingham et al.
4,770,768 A	9/1988	Lang	5,122,270 A	6/1992	Ruger et al.
4,772,386 A	9/1988	Grout et al.	5,122,272 A	6/1992	Iana et al.
4,773,997 A	9/1988	Butte	5,126,043 A	6/1992	Giordano
4,776,956 A	10/1988	Gannaway	5,126,044 A	6/1992	Magnusson
4,784,763 A	11/1988	Hambleton et al.	5,102,543 A	7/1992	Burroughs
4,786,473 A	11/1988	Mukogawa et al.	5,128,034 A	7/1992	Kool
4,787,253 A	11/1988	de Fasselle et al.	5,130,020 A	7/1992	Meckstroth
4,787,973 A	11/1988	Ando et al.	5,131,277 A	7/1992	Birdsong et al.
4,798,672 A	1/1989	Knight	5,132,017 A	7/1992	Birdsong et al.
4,800,018 A	1/1989	Moser	D328,942 S *	8/1992	Igami et al. D23/209
4,808,994 A	2/1989	Riley	5,147,722 A	9/1992	Koslow
4,814,078 A	3/1989	Stern et al.	5,151,179 A	9/1992	Bach et al.
4,828,692 A	5/1989	Peranio	5,152,397 A	10/1992	Mayled
4,833,925 A	5/1989	Bullock et al.	5,156,335 A	10/1992	Smith et al.

US D533,622 S

5,160,038 A	11/1992	Harada et al.	5,676,824 A	10/1997	Jeon et al.
5,169,528 A	12/1992	Karbachsch et al.	5,679,248 A	10/1997	Blaney
5,176,836 A	1/1993	Sauer et al.	5,681,468 A	10/1997	Sawan et al.
5,180,491 A	1/1993	Polasky	RE35,667 E	11/1997	Heiligman
5,182,018 A	1/1993	Langston	D388,500 S	12/1997	Burchard et al.
5,183,184 A	2/1993	Ranalletta et al.	5,698,091 A	12/1997	Kuennen et al.
5,186,830 A	2/1993	Rait	5,700,146 A	12/1997	Kucar
5,188,912 A	2/1993	Katoh et al.	RE35,712 E	1/1998	Murayama
5,192,436 A	3/1993	Sasaki et al.	5,705,067 A	1/1998	Sumi et al.
5,215,659 A	6/1993	Ando	5,721,383 A	2/1998	Franklin et al.
5,223,136 A	6/1993	Gilbert	5,735,582 A	4/1998	Eith et al.
5,225,078 A	7/1993	Polasky et al.	5,738,575 A	4/1998	Bock
5,230,621 A	7/1993	Jacoby	5,744,033 A	4/1998	Bertrand et al.
D338,704 S	8/1993	Garrigos Ruiz	5,753,118 A	5/1998	Yang
5,236,578 A	8/1993	Oleskow et al.	5,767,060 A	6/1998	Hanrahan
5,236,579 A	8/1993	Janik et al.	5,772,896 A	6/1998	Denkewicz, Jr. et al.
5,240,792 A	8/1993	Kawabata et al.	5,779,912 A	7/1998	Gonzalez-Martin et al.
5,252,067 A	10/1993	Kakimoto	5,795,471 A	8/1998	Naito
5,252,206 A	10/1993	Gonzalez	D398,369 S	9/1998	Hayes et al.
5,256,287 A	10/1993	Underwood	D398,703 S	9/1998	Hayes et al.
5,268,093 A	12/1993	Hembree et al.	5,814,212 A	9/1998	Hsu
5,269,922 A	12/1993	Lin	D399,141 S	10/1998	Huang et al.
5,271,837 A	12/1993	Discepolo et al.	5,823,229 A	10/1998	Bertrand et al.
5,273,649 A	12/1993	Magnusson et al.	5,824,914 A	10/1998	Seppa et al.
5,290,457 A	3/1994	Karbachsch et al.	5,833,849 A	11/1998	Primdahl
5,308,482 A	5/1994	Mead	5,840,185 A	11/1998	Hughes et al.
5,308,483 A	5/1994	Sklar et al.	5,846,418 A	12/1998	Thompson et al.
5,328,597 A	7/1994	Boldt, Jr. et al.	5,858,215 A	1/1999	Burchard et al.
5,328,609 A	7/1994	Magnusson et al.	D405,157 S	2/1999	Hayes et al.
5,343,883 A	9/1994	Murayama	5,865,991 A	2/1999	Hsu
D351,892 S	10/1994	Wolf et al.	5,873,995 A	2/1999	Huang et al.
5,354,468 A	10/1994	Richards	5,876,610 A	3/1999	Clack et al.
5,362,385 A	11/1994	Klegerman et al.	5,888,381 A	3/1999	Primdahl et al.
5,366,636 A	11/1994	Marchin et al.	5,891,329 A	4/1999	Massholder
5,367,031 A	11/1994	Marchin et al.	5,897,779 A	4/1999	Wisted et al.
5,370,041 A	12/1994	Lowe	D409,718 S	5/1999	Farley
5,401,399 A	3/1995	Magnusson et al.	D410,273 S	5/1999	Hunter et al.
5,405,526 A	4/1995	Sutera	D410,723 S	5/1999	Hunter et al.
5,405,528 A	4/1995	Selbie et al.	5,900,138 A	5/1999	Moretto
5,407,573 A	4/1995	Hughes	D410,728 S	6/1999	Kurth et al.
2,711,994 A	6/1995	Quinn	5,928,504 A	7/1999	Hembre et al.
5,441,710 A	8/1995	Marois	5,928,512 A	7/1999	Hatch et al.
5,443,735 A	8/1995	Kirnbauer et al.	D413,371 S	8/1999	Douglas
5,457,665 A	10/1995	Reid	5,935,426 A	8/1999	Giordano et al.
5,458,766 A	10/1995	Ehara et al.	D413,695 S	9/1999	Bitz
5,464,603 A	11/1995	Marchin et al.	5,976,362 A	11/1999	Wadsworth et al.
5,482,903 A	1/1996	Sakai et al.	5,983,938 A	11/1999	Bowers et al.
5,487,828 A	1/1996	Goet	5,989,425 A	11/1999	Yonezawa et al.
5,503,740 A	4/1996	Callaghan et al.	5,993,648 A	11/1999	Hunter et al.
D369,850 S	5/1996	Cammack et al.	6,016,977 A	11/1999	Farley
D370,051 S	5/1996	Samson et al.	D417,904 S	12/1999	Douglas
5,518,613 A	5/1996	Koczur et al.	D420,093 S	2/2000	Hayes et al.
5,525,214 A	6/1996	Hembree	6,024,867 A	2/2000	Parise
5,527,451 A	6/1996	Hembree et al.	6,093,313 A	7/2000	Bovaird et al.
5,536,394 A	7/1996	Lund et al.	6,096,197 A	8/2000	Hughes
5,540,107 A	7/1996	Silverman et al.	6,103,116 A	8/2000	Koslow et al.
5,545,315 A	8/1996	Lonneman	6,106,705 A	8/2000	Giordano et al.
5,549,010 A	8/1996	Park et al.	6,107,354 A	8/2000	Shaniuk et al.
5,549,822 A	8/1996	Ferguson	6,123,837 A *	9/2000	Wadsworth et al. 210/87
5,552,046 A	9/1996	Johnston et al.	D432,622 S	10/2000	Thompson et al.
5,554,025 A	9/1996	Kinsel	6,135,154 A	10/2000	Chen et al.
5,555,271 A	9/1996	Zuercher et al.	6,145,670 A	11/2000	Risser
5,556,279 A	9/1996	Wolf et al.	6,149,801 A	11/2000	Giordano et al.
5,586,045 A	12/1996	Box et al.	6,153,096 A	11/2000	Nonren, Jr.
5,593,583 A	1/1997	Geldmacher	6,155,430 A	12/2000	Goodman
5,609,759 A	3/1997	Nohren, Jr. et al.	6,179,130 B1	1/2001	Nguyen
D378,850 S	4/1997	Howe et al.	6,183,636 B1	2/2001	Bowers et al.
5,653,868 A *	8/1997	Yanou et al. 210/232	D438,592 S *	3/2001	Gaston et al. D23/209
5,653,878 A	8/1997	Reid	D438,593 S	3/2001	Jang
5,657,779 A	8/1997	Blass et al.	D441,048 S	4/2001	Archer
D383,192 S	9/1997	Johnson et al.	6,214,239 B1	4/2001	Renau

6,220,298	B1	4/2001	Wu	
6,224,751	B1	5/2001	Hofmann et al.	
6,227,246	B1	5/2001	Hall et al.	
6,230,989	B1	5/2001	Haverstraw et al.	
6,241,103	B1	6/2001	Hembree	
6,241,880	B1	6/2001	Yahr	
6,251,274	B1	6/2001	Shepherd	
6,258,266	B1	7/2001	Riback et al.	
6,267,887	B1	7/2001	Hughes et al.	
D446,841	S	8/2001	Silva	
6,270,023	B1	8/2001	Farley	
6,274,041	B1	8/2001	Williamson et al.	
6,284,129	B1	9/2001	Giordano et al.	
6,290,848	B1	9/2001	Tanner et al.	
6,306,290	B1	10/2001	Rolfes	
6,325,930	B1	12/2001	Farley	
D453,952	S	2/2002	Gaston et al.	
6,368,503	B1	4/2002	Williamson et al.	
6,368,504	B1	4/2002	Kuennen et al.	
6,375,834	B1	4/2002	Guess et al.	
D457,596	S	5/2002	Guzman et al.	
6,394,127	B1	5/2002	Creswell et al.	
6,457,589	B1	10/2002	Poirier et al.	
6,464,869	B1	10/2002	Hsu	
6,464,871	B1	10/2002	Chang	
6,517,707	B1	2/2003	Giordano et al.	
6,571,960	B1	6/2003	Williamson et al.	
6,630,016	B1	10/2003	Koslow	
D484,567	S	* 12/2003	Gaston et al. D23/209	
2001/0054583	A1	12/2001	Hembree	
2002/0113145	A1	8/2002	Wong	
2002/0134714	A1	9/2002	Ozeki et al.	
2003/0010721	A1	1/2003	Aldred et al.	
2003/0034285	A1	2/2003	Hembree et al.	
2003/0173273	A1	9/2003	Giordano et al.	

FOREIGN PATENT DOCUMENTS

JP	54144038	7/1979
JP	63-104666	5/1988
JP	63-107716	5/1988
JP	1218612	8/1989
JP	2-68105	3/1990
JP	4322781	11/1992
JP	07-204636	8/1995
JP	11-216464	8/1999
JP	2001-058111	3/2001
JP	2001-187305	7/2001
WO	WO 91/00986	1/1991
WO	WO 91/05600	5/1991

WO	WO 91/15281	10/1991
WO	WO 91/15282	10/1991
WO	WO 91/19555	12/1991
WO	WO 91/19556	12/1991
WO	WO 95/24256	9/1992
WO	WO95/29878	5/1995
WO	WO 95/18265	7/1995
WO	WO99/29394	6/1999
WO	WO99/36152	7/1999

OTHER PUBLICATIONS

The SemperFresh Water Filtration System; SemperPure Systems, Inc., New Rochelle, NY, 1995.

EasyFull C-30 Chlorine Disinfection System; SemperPure Systems, Inc., New Rochelle, NY 1995.

An Exciting New Concept in Bottle Water! Less Filling! Tastes Great!; Advertisement bearing U.S. Appl. No. 4,923,091).

Although Loch Ness is still a mystery... POU Chlorination no longer is.; SemperPure Systems, Inc., New Rochelle, NY, 1995.

Pure1 (Four page brochure-no author), at least as early as Dec. 6, 1995).

When you thirst for POU success you need connections, not expensive point-of-use coolers.; SemperPure Systems, Inc., New Rochelle, NY, 1995.

Systems Guide Pure1 Systems, SemperPure Systems, Inc., New Rochelle, NY, 1995.

Now you can have disinfected drinking water, no matter where you are!; SemperPure Systems, Inc., New Rochelle, NY, 1995.

“The Teledyne Water Pik Pour-Thru Water Filter Pitcher System... featuring WATERFRESH filter technology”, Teledyne Water Pik, Fort Collins, Colorado (at least as early as Dec. 6, 1995).

WaterWare, Faucet Mount Replacement Filter Cartridge Installation, Use and Care Manual, 1996.

KleenPlus, Replacement Filter Package, 1993.

Filter Products Chart, 1997.

PUR, self-Monitoring Water Filter, Use and Care Manual, 1995.

Moen, PureTouch Brochure -The Filtering Faucet System, 1998.

* cited by examiner

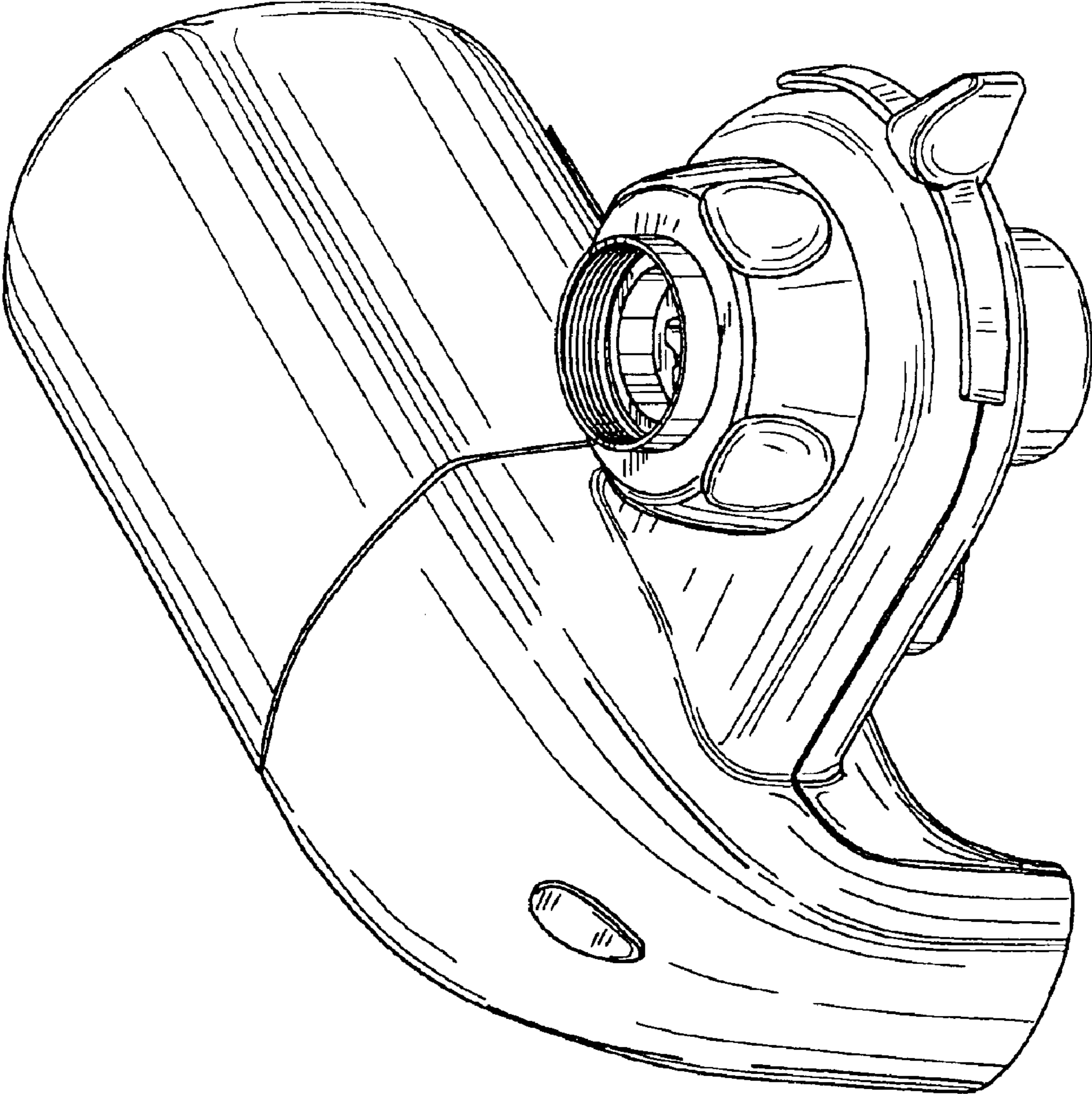


Fig. 1

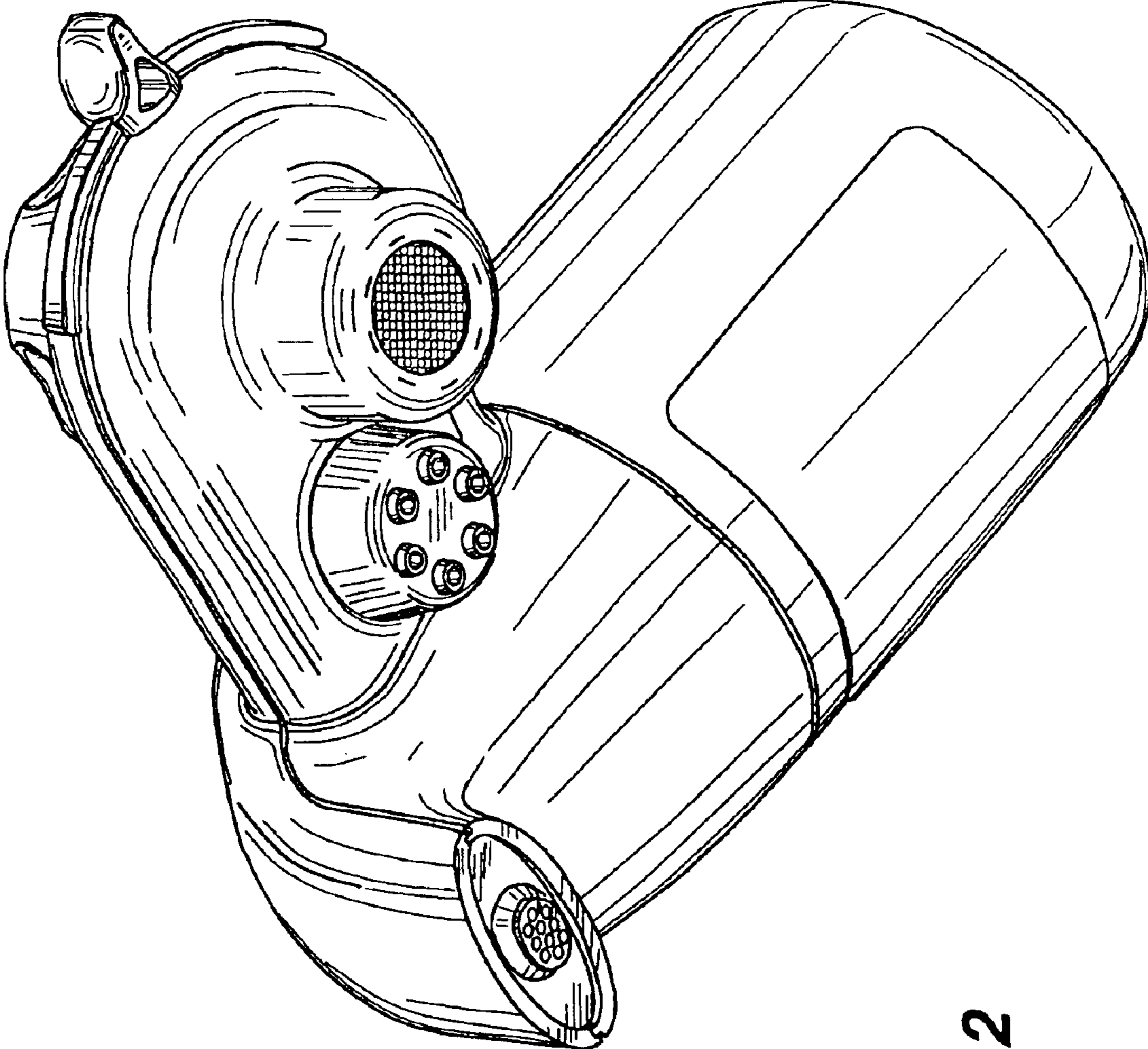


Fig. 2

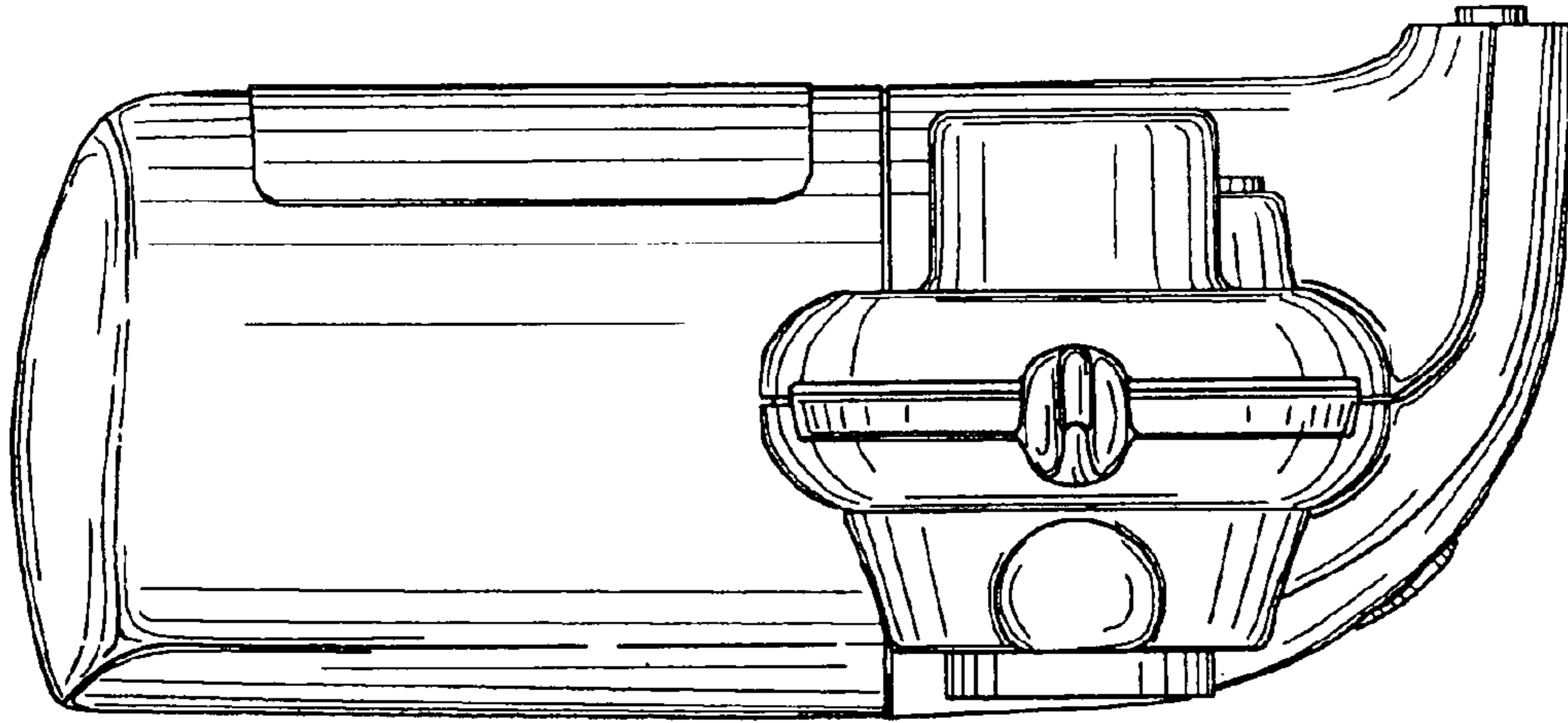


Fig. 4

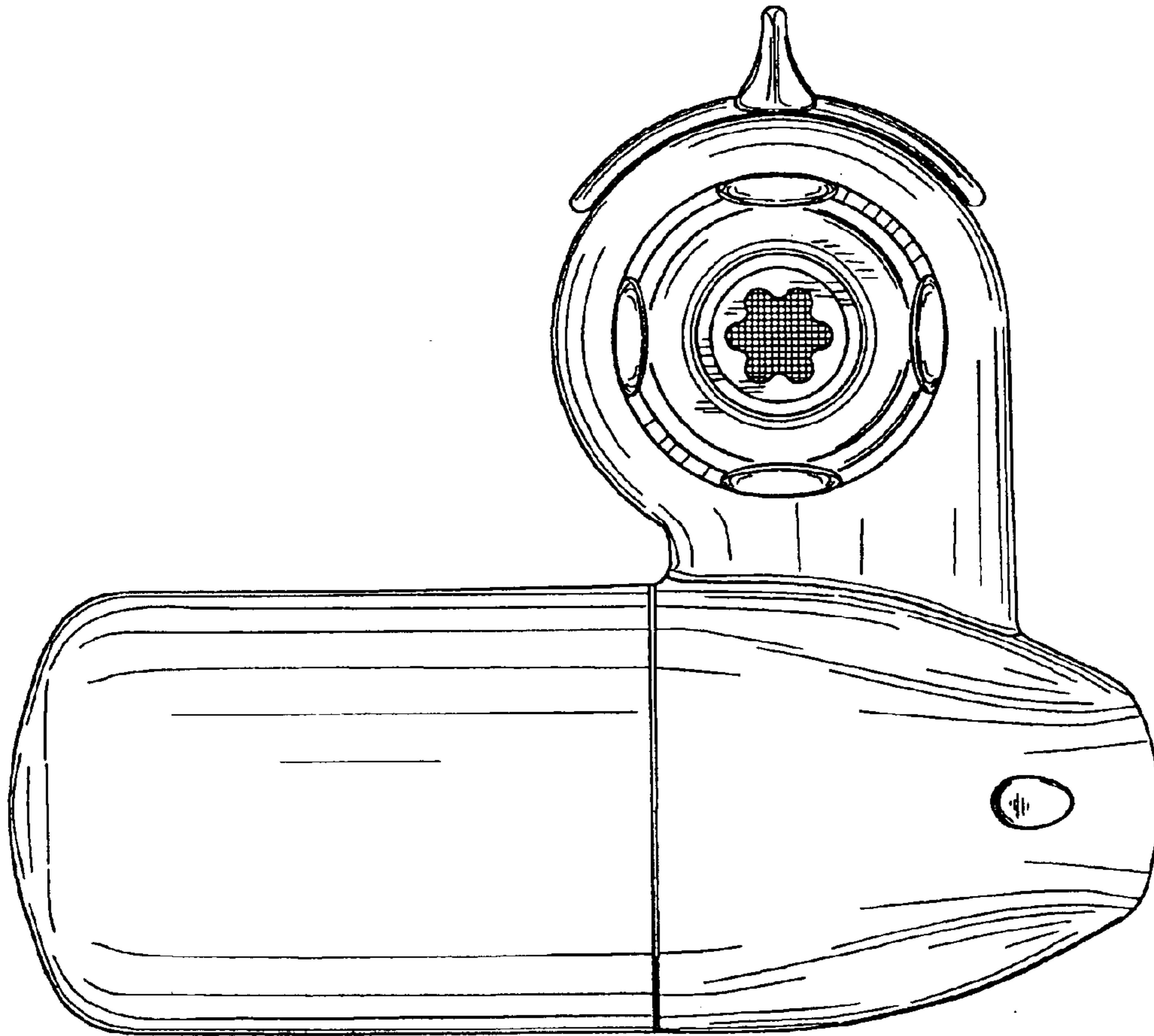


Fig. 3

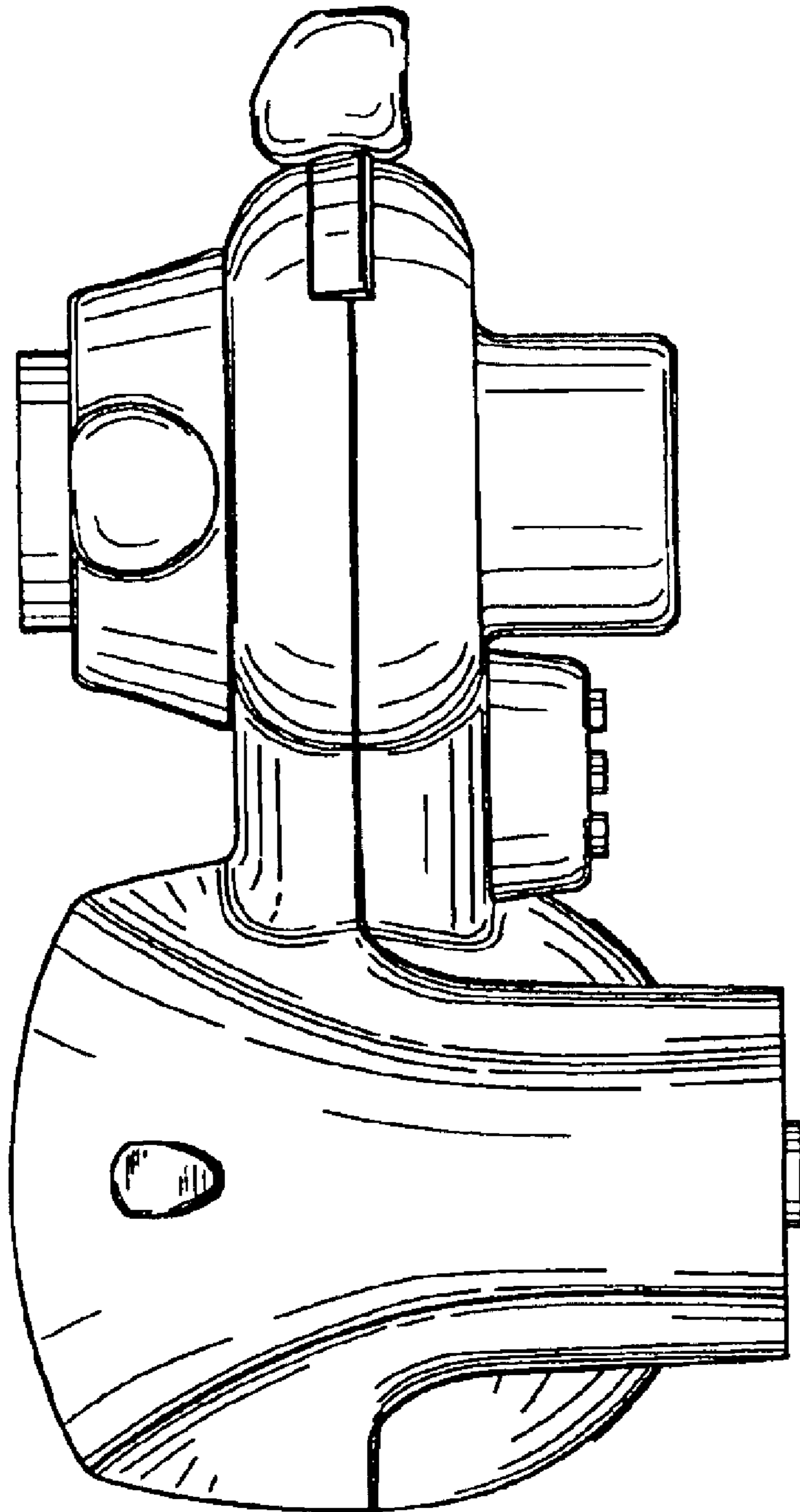


Fig. 5

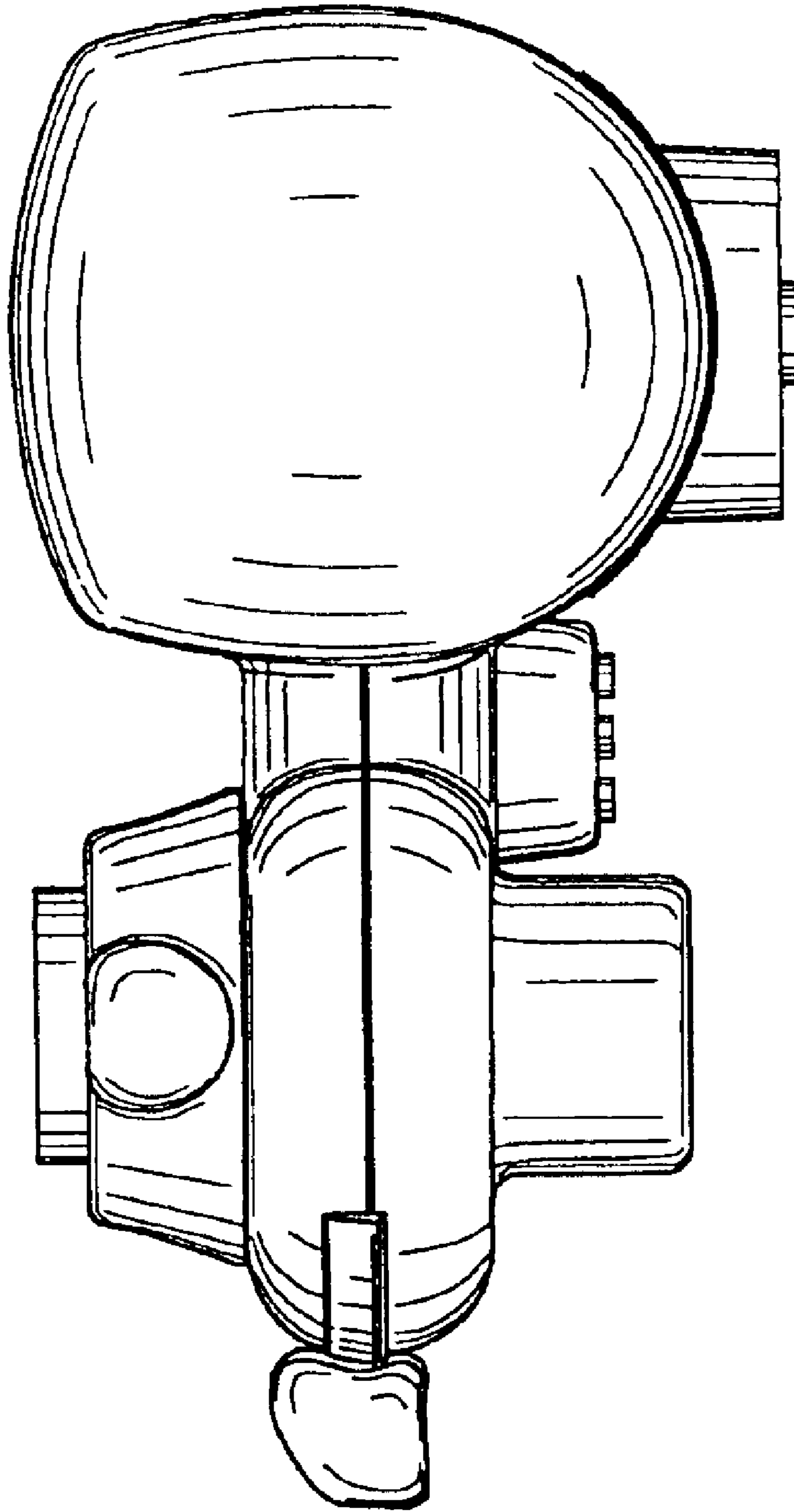


Fig. 6

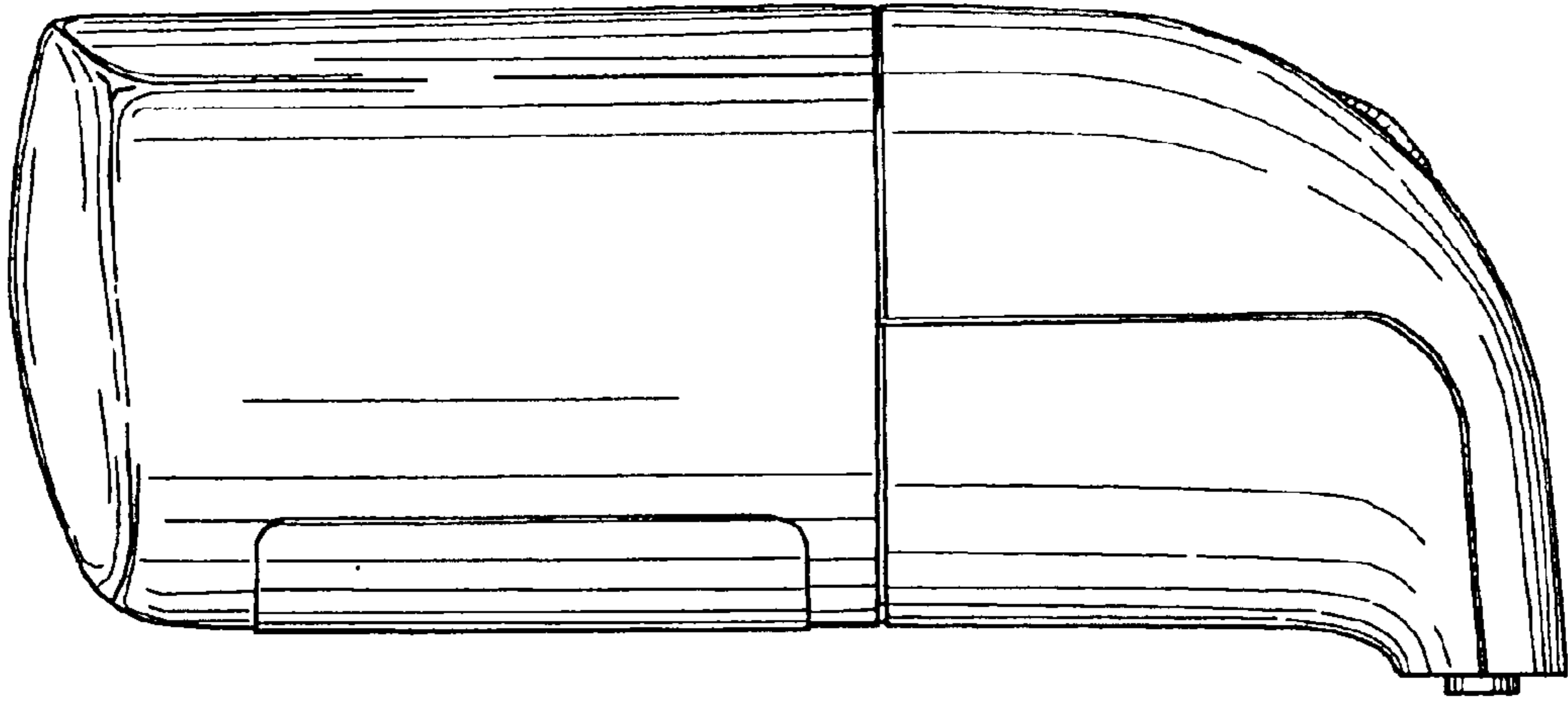


Fig. 8

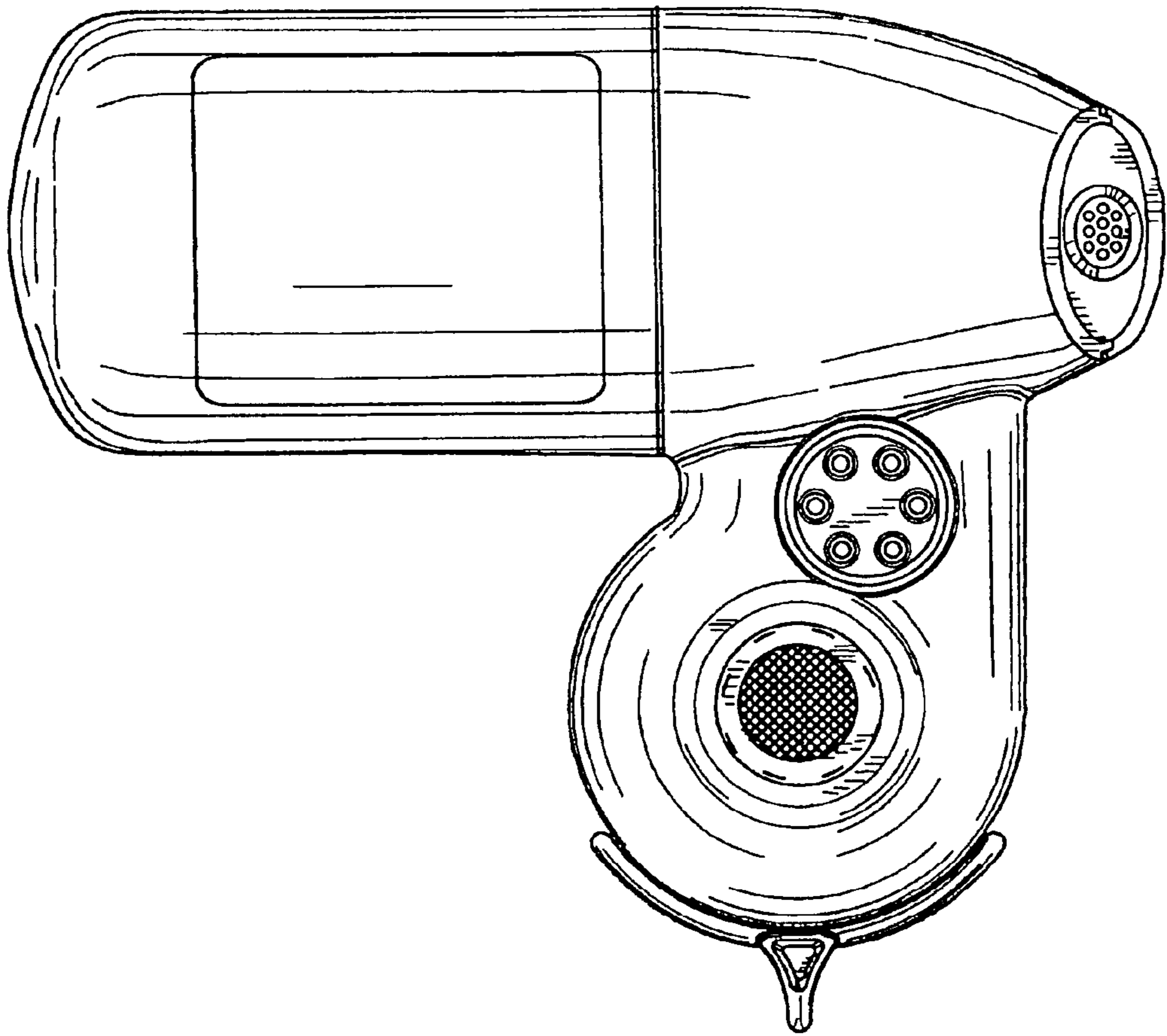


Fig. 7