



US00D533621S

(12) **United States Design Patent** (10) **Patent No.:** **US D533,621 S**
Achor et al. (45) **Date of Patent:** **** Dec. 12, 2006**

(54) **STICKY PAPER PATTERN**
(75) Inventors: **Richard E. Achor**, Winston-Salem, NC (US); **William Todd Hurst**, Greensboro, NC (US); **Ed Poleshuk**, Winston-Salem, NC (US); **Gary Benzon**, Carlisle, PA (US)

(73) Assignee: **CPD Associates Inc.**, Winston-Salem, NC (US)

(**) Term: **14 Years**

(21) Appl. No.: **29/184,005**

(22) Filed: **Jun. 19, 2003**

(51) **LOC (8) Cl.** **22-06**

(52) **U.S. Cl.** **D22/122**

(58) **Field of Classification Search** D22/119-125;
43/107, 113, 114; 206/216; 84/414, 415,
84/411 R, 420; 229/103, 109

See application file for complete search history.

(56) **References Cited**

U.S. PATENT DOCUMENTS

466,637 A	1/1892	Thum et al.	43/114
627,766 A *	6/1899	Wilken	84/414
891,315 A *	6/1908	Wilken	84/414
1,018,767 A *	2/1912	Logan	84/414
1,655,128 A	1/1928	Berghorn	43/114
2,097,924 A	11/1937	Kell	43/114
3,833,113 A *	9/1974	Osier	206/216
5,170,583 A	12/1992	Coaker et al.	43/107
5,651,211 A	7/1997	Regan et al.	43/113
6,438,894 B1	8/2002	Silvandersson et al.	43/114
6,481,152 B1	11/2002	Gray	43/113

D468,389 S	1/2003	Israel et al.	D22/122
6,505,434 B1	1/2003	Kloczko et al.	43/114
2002/0083639 A1	7/2002	Perry	43/114
2003/0110922 A1 *	6/2003	Chen	84/411 R

* cited by examiner

Primary Examiner—Catherine R. Oliver

(74) *Attorney, Agent, or Firm*—Greer, Burns & Crain, Ltd

(57) **CLAIM**

The ornamental design for a sticky paper pattern, as shown and described.

DESCRIPTION

FIG. 1 is a perspective elevational view of an insect trap having replaceable sticky paper using the sticky paper pattern of the present invention, the design being characterized by a dark colored area represented by the stippled portion, multiple light colored areas substantially triangular in shape represented by the white portions and where the bases of the triangles are aligned along one edge of the sticky paper and the opposite vertex of the triangle points toward an opposing edge of the sticky paper.

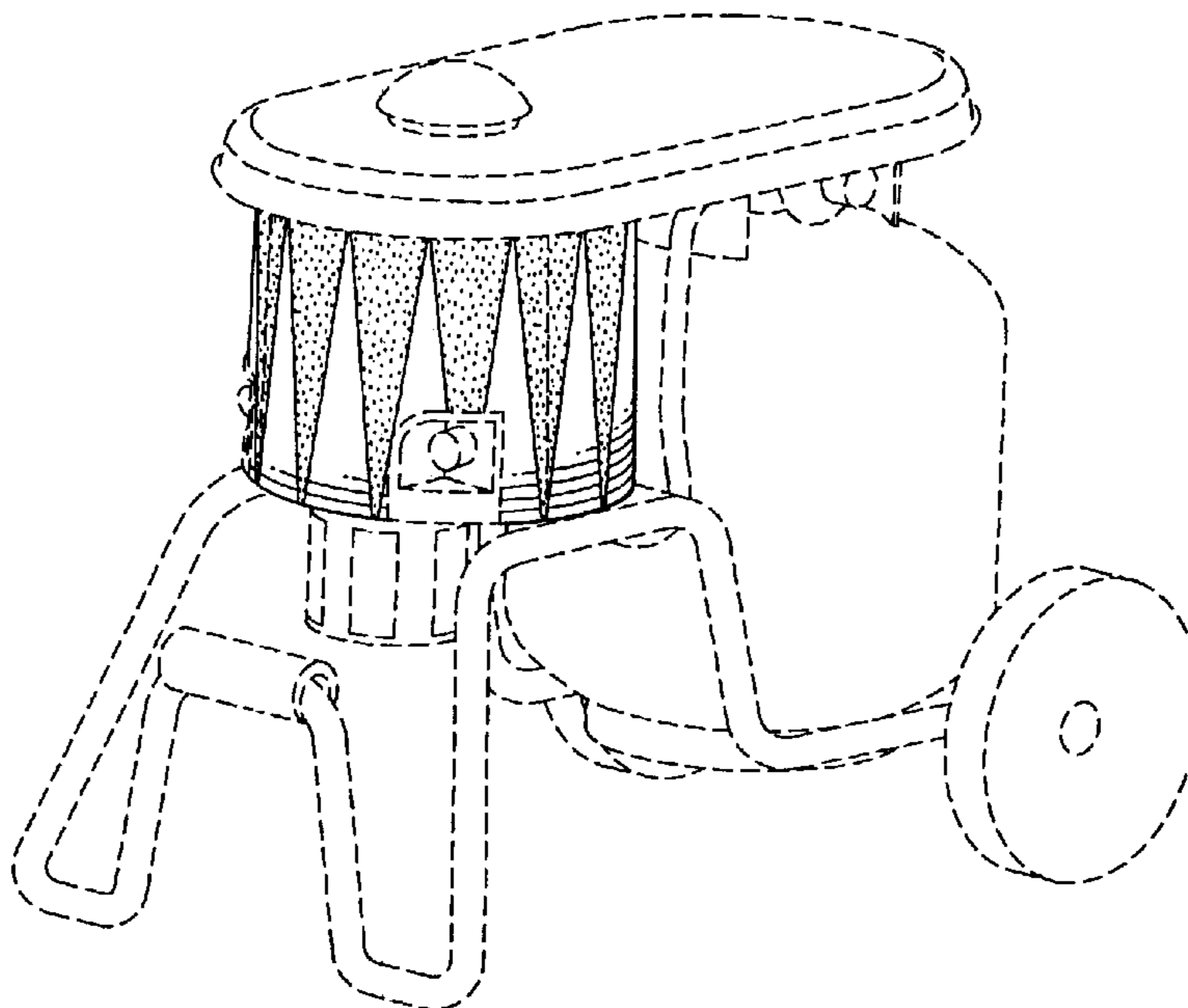
FIG. 2 is a perspective view of the sheet of sticky paper shown and characterized in FIG. 1;

FIG. 3 is a front view of same; and,

FIG. 4 is a rear view thereof.

The insect trap, propane tank, cart, cover, controls and trap cup shown in dashed lines are not a part of this design. The shape of the outside edges of the sticky paper is shown in dashed lines and is not a part of this design. The sides and back of the sticky paper in all embodiments are flat and unornamented.

1 Claim, 2 Drawing Sheets



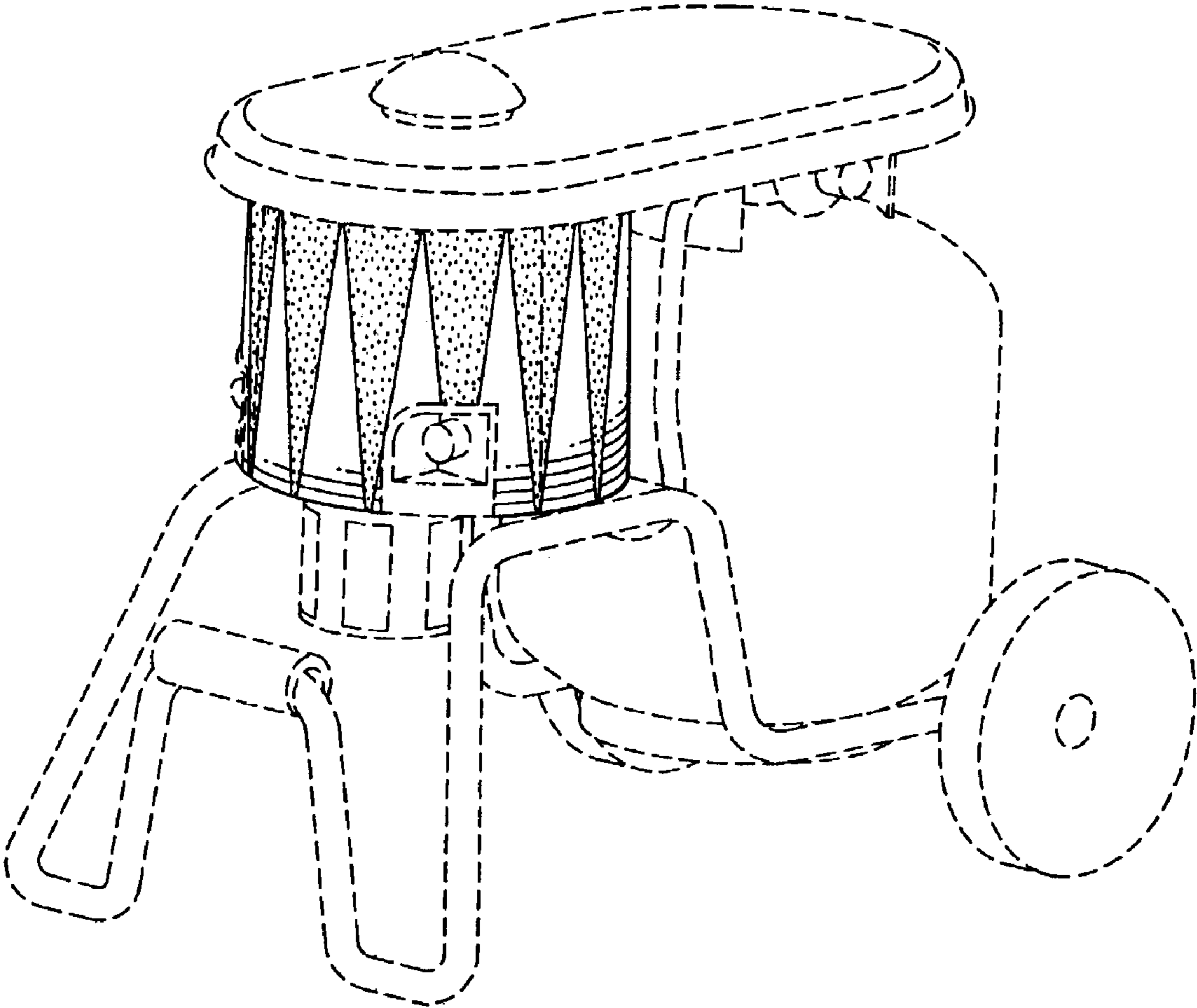


FIG. 1

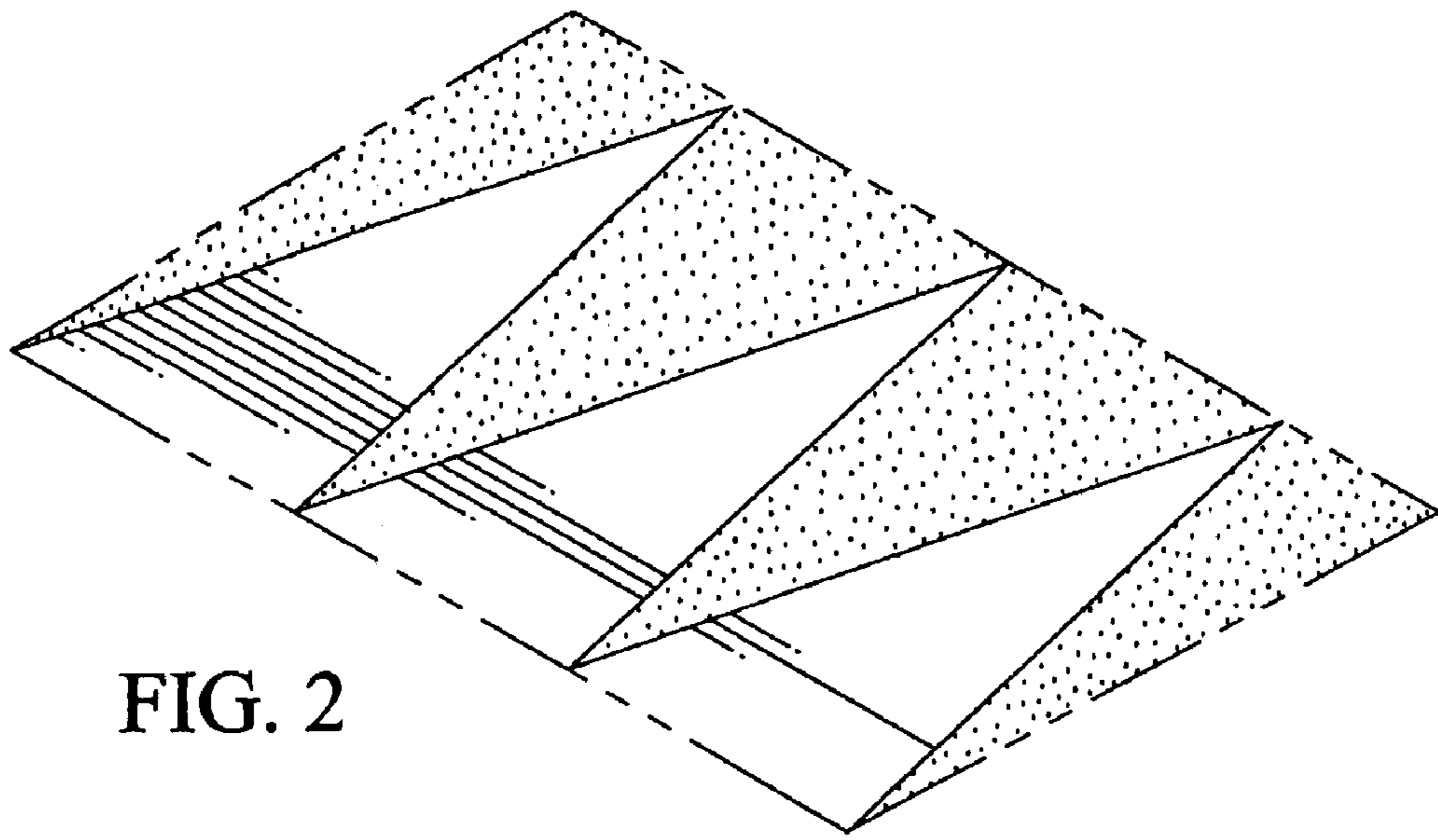


FIG. 2

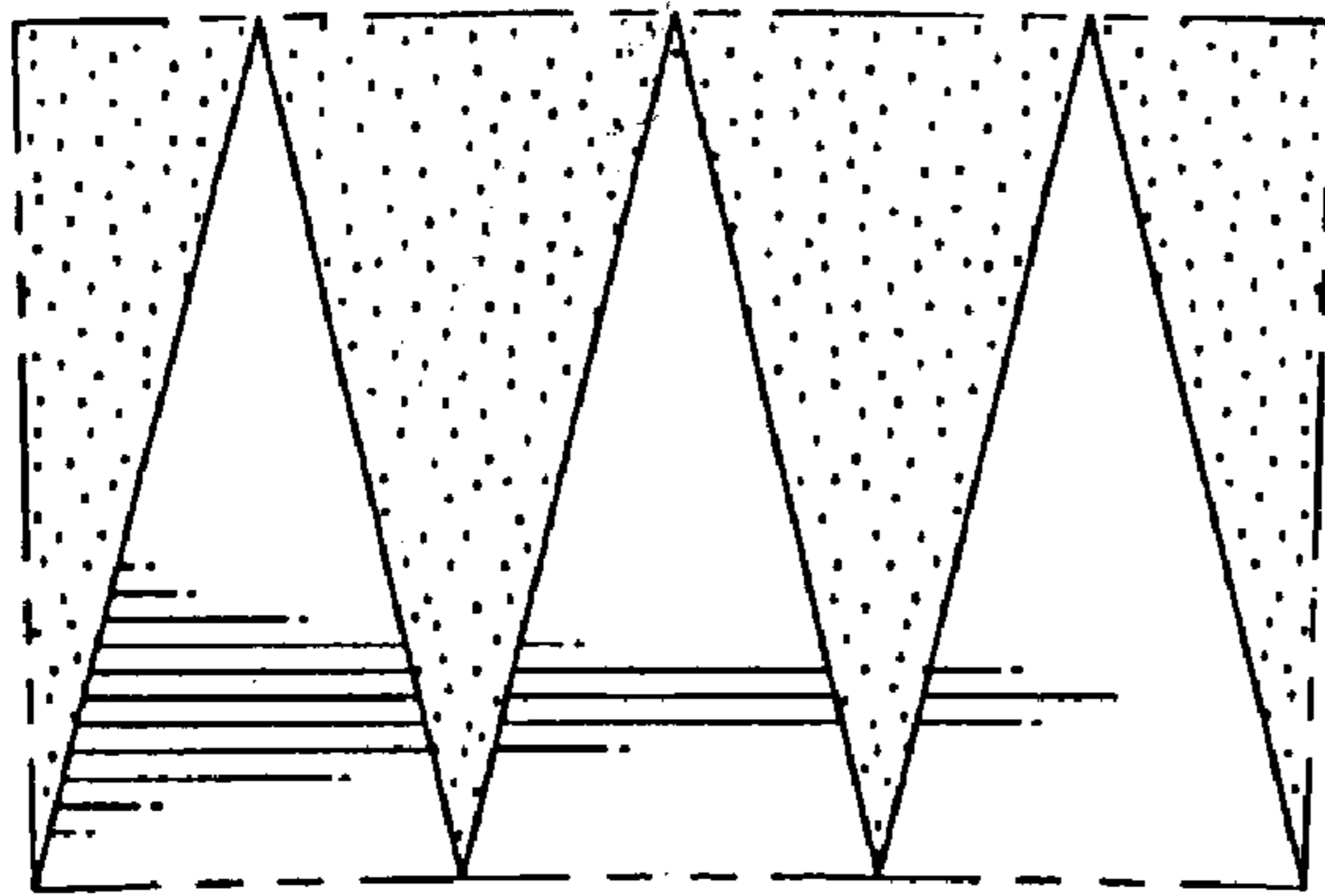


FIG. 3



FIG. 4