

US00D533617S

(12) **United States Design Patent**
Warren

(10) **Patent No.:** **US D533,617 S**

(45) **Date of Patent:** **** Dec. 12, 2006**

(54) **GUN SIGHT**

(76) Inventor: **Scott M. Warren**, 15702 Beacon Ct.,
Montclair, VA (US) 22026

(**) Term: **14 Years**

(21) Appl. No.: **29/253,590**

(22) Filed: **Feb. 9, 2006**

Related U.S. Application Data

(62) Division of application No. 29/237,717, filed on Sep. 6,
2005, which is a division of application No. 29/206,862,
filed on Jun. 4, 2004, now Pat. No. Des. 512,761.

(51) **LOC (8) Cl.** **22-01**

(52) **U.S. Cl.** **D22/109; D22/110**

(58) **Field of Classification Search** D22/100,
D22/108-110, 199; 42/111-113, 124, 134-145;
89/161, 41.19, 200-204; 33/227
See application file for complete search history.

(56) **References Cited**

U.S. PATENT DOCUMENTS

1,363,553	A	12/1920	Barringer	
D273,217	S	3/1984	Swenson	
D296,227	S	6/1988	Novak	
D301,512	S	6/1989	Novak	
D305,146	S	12/1989	Novak	
D305,561	S	1/1990	Novak	
D315,776	S	3/1991	Novak	
5,065,519	A	* 11/1991	Bindon	42/145
D351,449	S	10/1994	Dagley	
D352,087	S	11/1994	Stevens et al.	
5,822,872	A	10/1998	Waki	
D403,734	S	1/1999	Kay	
D407,788	S	4/1999	Kay	
6,035,539	A	3/2000	Hollenbach et al.	
D432,618	S	10/2000	Wilson	

D435,080	S	12/2000	Ling, Jr.	
D435,282	S	12/2000	Ling, Jr.	
D435,625	S	12/2000	Ling, Jr.	
D436,393	S	1/2001	Ling, Jr.	
6,216,351	B1	4/2001	Flubacher et al.	
6,216,352	B1	* 4/2001	Lorocco	42/145
6,230,414	B1	* 5/2001	Glock	42/139
D447,206	S	8/2001	Ling, Jr.	
6,360,472	B1	* 3/2002	Lorocco	42/132
D492,747	S	7/2004	LoRocco	
D512,118	S	* 11/2005	Warren	D22/109
D512,760	S	* 12/2005	Warren	D22/109
D512,761	S	* 12/2005	Warren	D22/109
D515,170	S	* 2/2006	Price	D22/109

OTHER PUBLICATIONS

Wilson Combat 2001 Master Catalog, cover and selected pp.
71-73.

* cited by examiner

Primary Examiner—Ian Simmons

Assistant Examiner—Melanie Levy

(74) *Attorney, Agent, or Firm*—Fay, Sharpe, Fagan,
Minnich & McKee, LLP

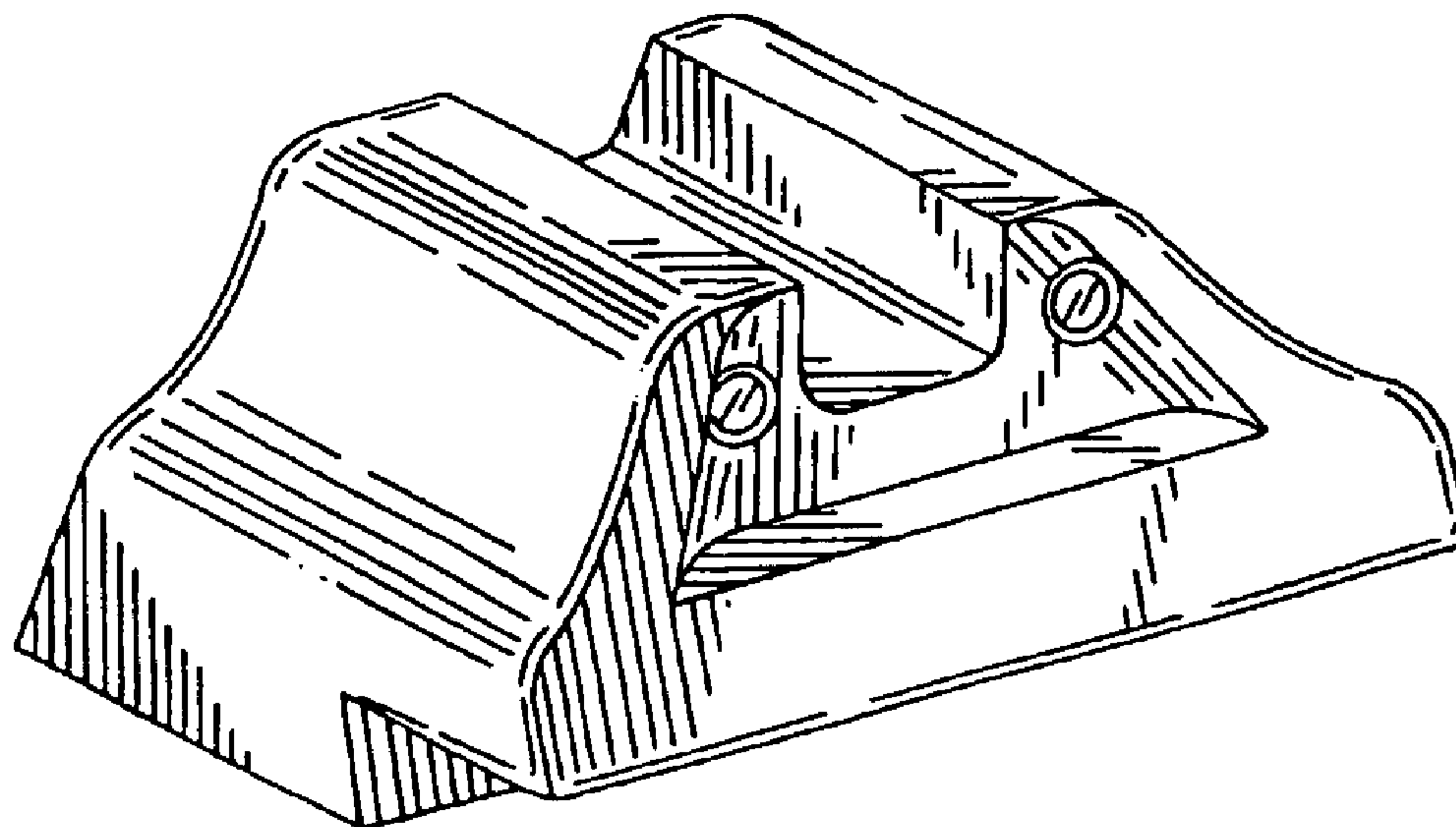
(57) **CLAIM**

I claim the ornamental design for a gun sight, as shown and
described.

DESCRIPTION

FIG. 1 is a rear perspective view of a rear gun sight
according to the present invention showing my new design;
FIG. 2 is a top plan view thereof;
FIG. 3 is a front elevational view thereof;
FIG. 4 is a right-side elevational view thereof, the left-side
elevational view being a mirror image of the right side; and,
FIG. 5 is a rear elevational view thereof.
The bottom of the gun sight shown has no ornamentation.

1 Claim, 1 Drawing Sheet



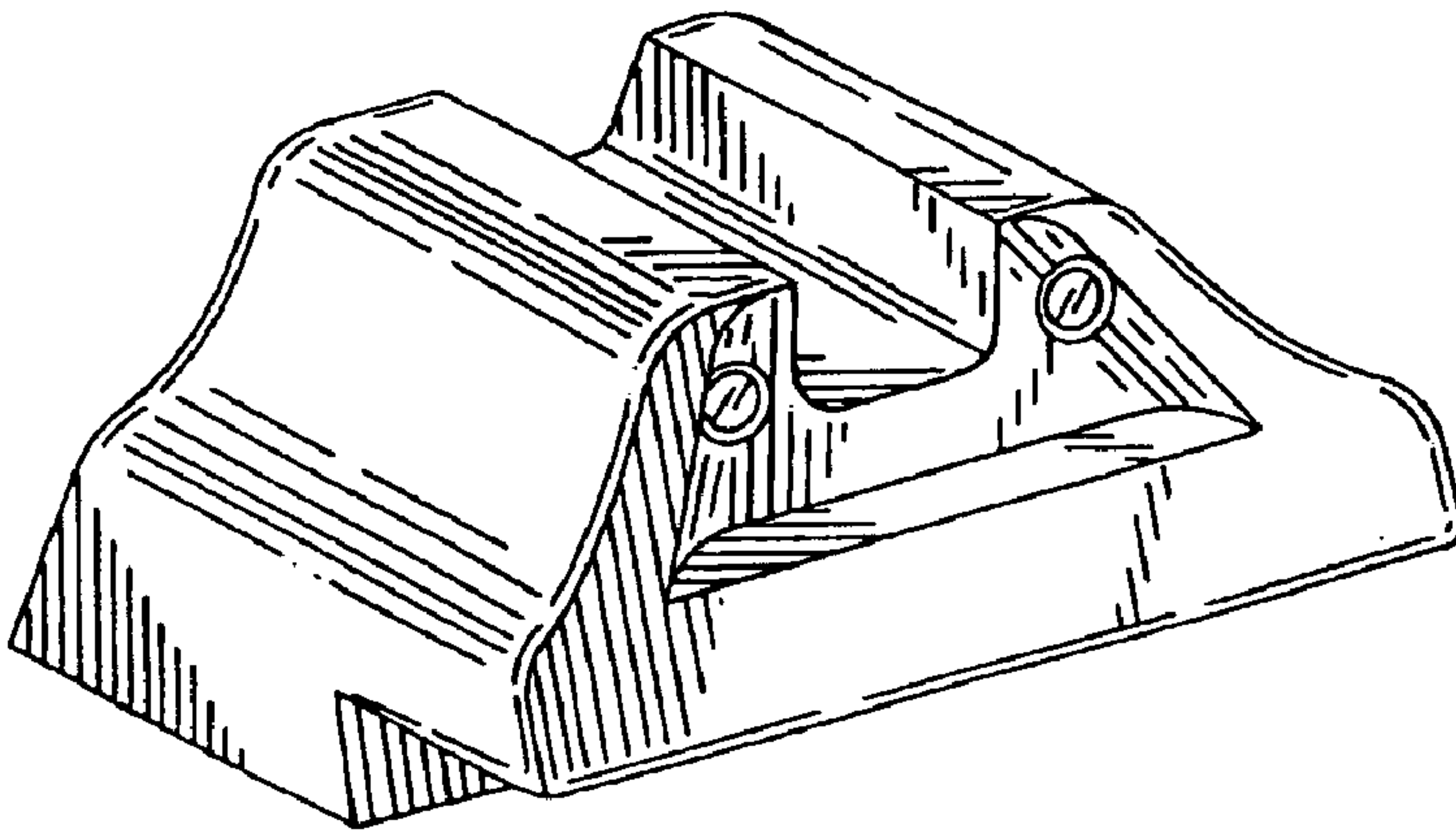


FIG. 1

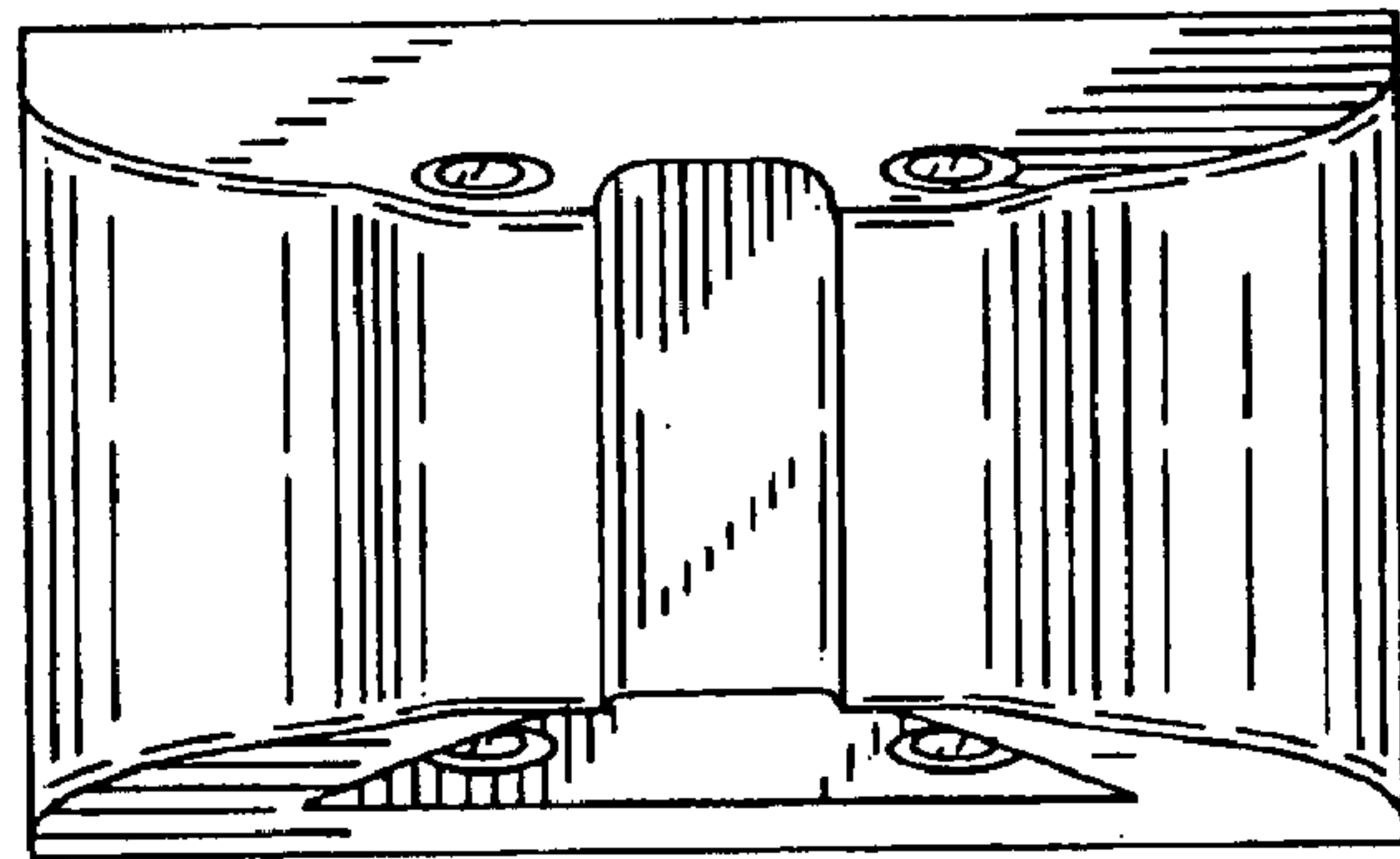


FIG. 2

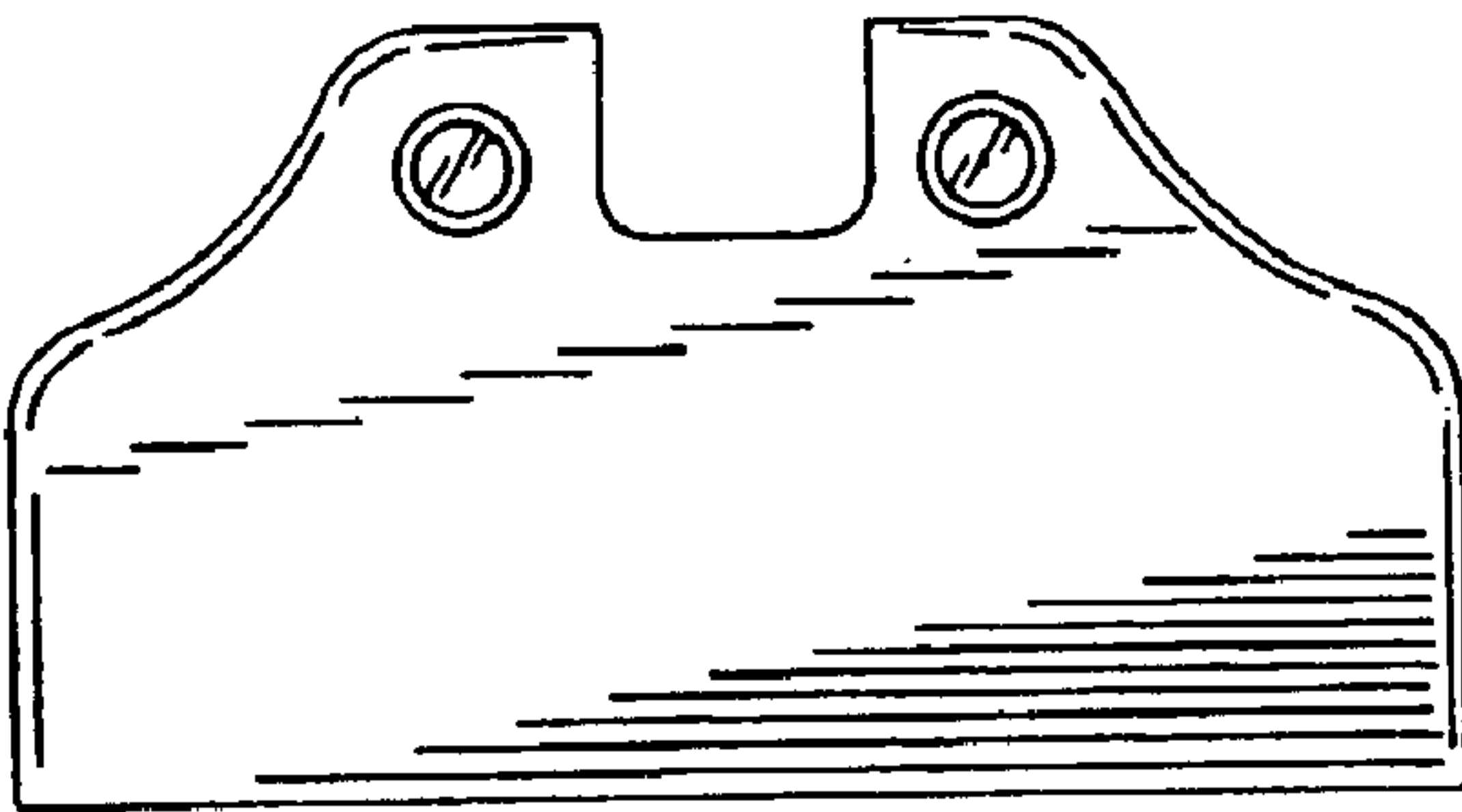


FIG. 3

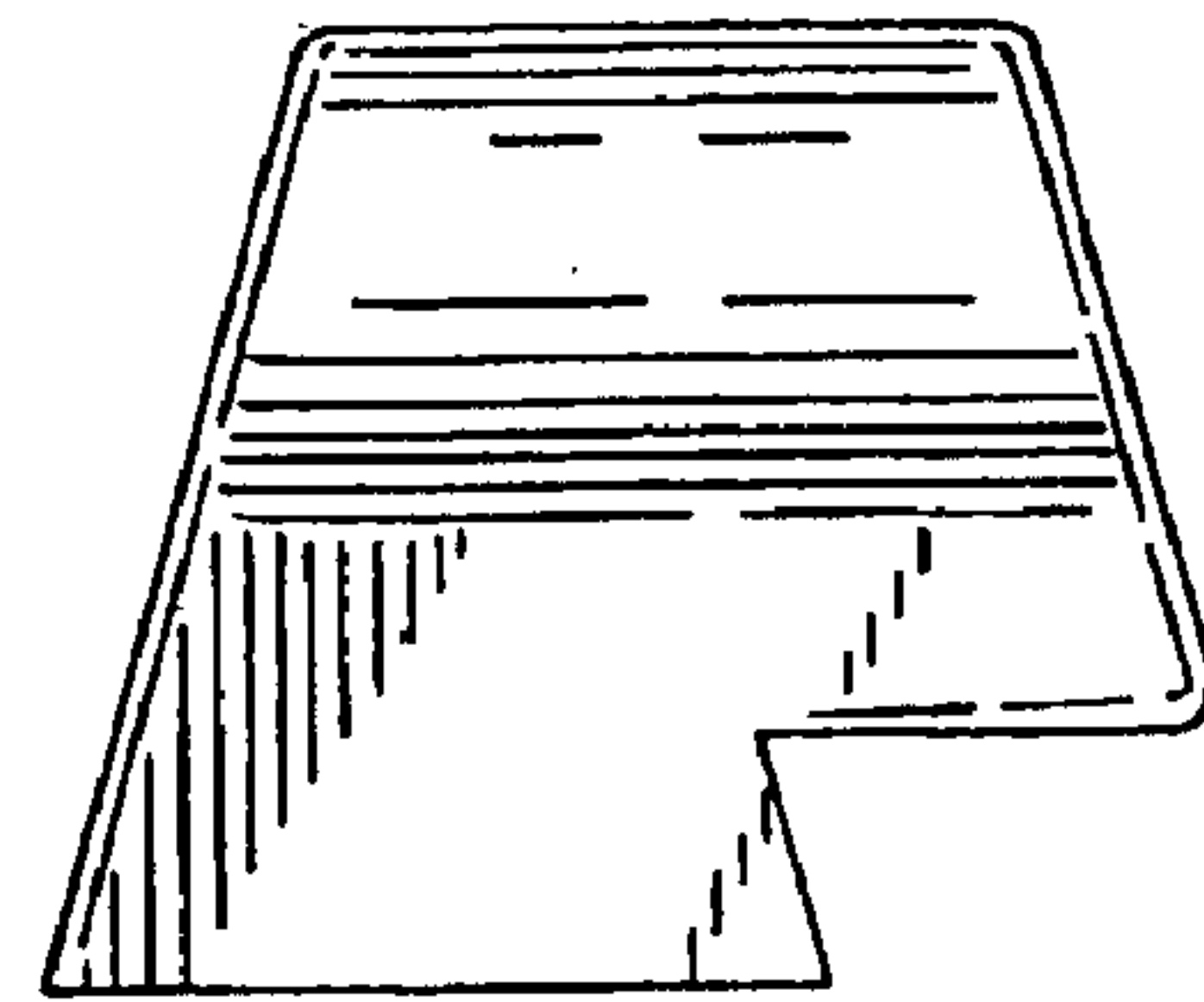


FIG. 4

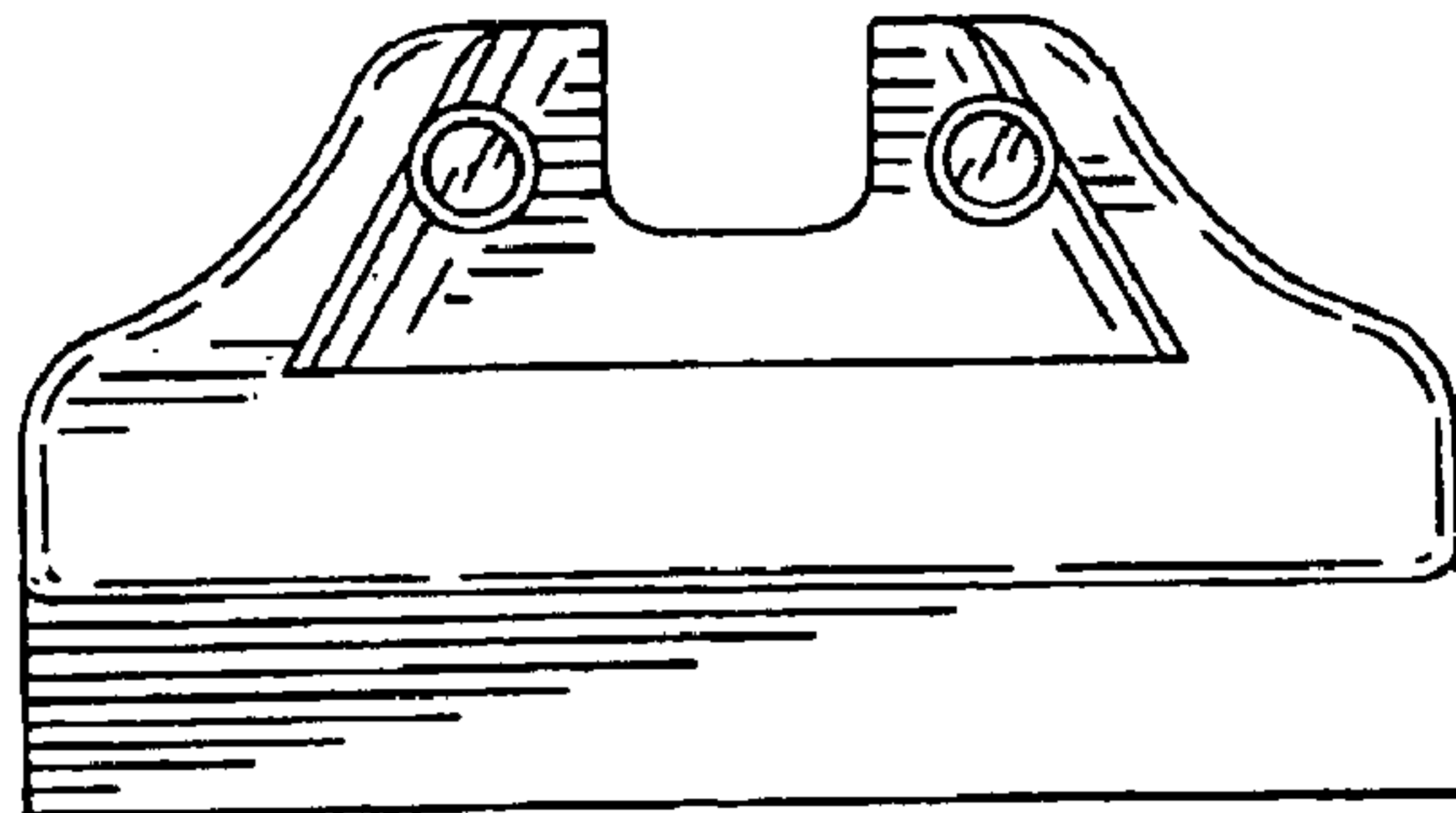


FIG. 5