



US00D533603S

(12) **United States Design Patent**  
**Chung**

(10) **Patent No.:** **US D533,603 S**

(45) **Date of Patent:** **\*\* Dec. 12, 2006**

(54) **CAR FOR KIDS**

(76) **Inventor:** **Li Ping Chung**, No. 33, Lane 458, She Chung St., Shih Li District, Taipei (TW)

(\*\*) **Term:** **14 Years**

(21) **Appl. No.:** **29/235,571**

(22) **Filed:** **Aug. 4, 2005**

(51) **LOC (8) Cl.** ..... **21-01**

(52) **U.S. Cl.** ..... **D21/433**

(58) **Field of Classification Search** ..... D21/419-435, D21/415, 620; D6/345; 446/456, 465, 470, 446/427-428, 451, 454, 471, 468, 450; 280/1.13, 280/828, 87.01, 87.021, 1.023, 47.11  
See application file for complete search history.

(56) **References Cited**

**U.S. PATENT DOCUMENTS**

D282,184 S \* 1/1986 Nakao et al. .... D21/433  
D404,087 S \* 1/1999 Larson ..... D21/433

D439,934 S \* 4/2001 Wang ..... D21/433  
D496,694 S \* 9/2004 Allemeier ..... D21/433  
D508,271 S \* 8/2005 Augustin ..... D21/433

\* cited by examiner

*Primary Examiner*—Raphael Barkai

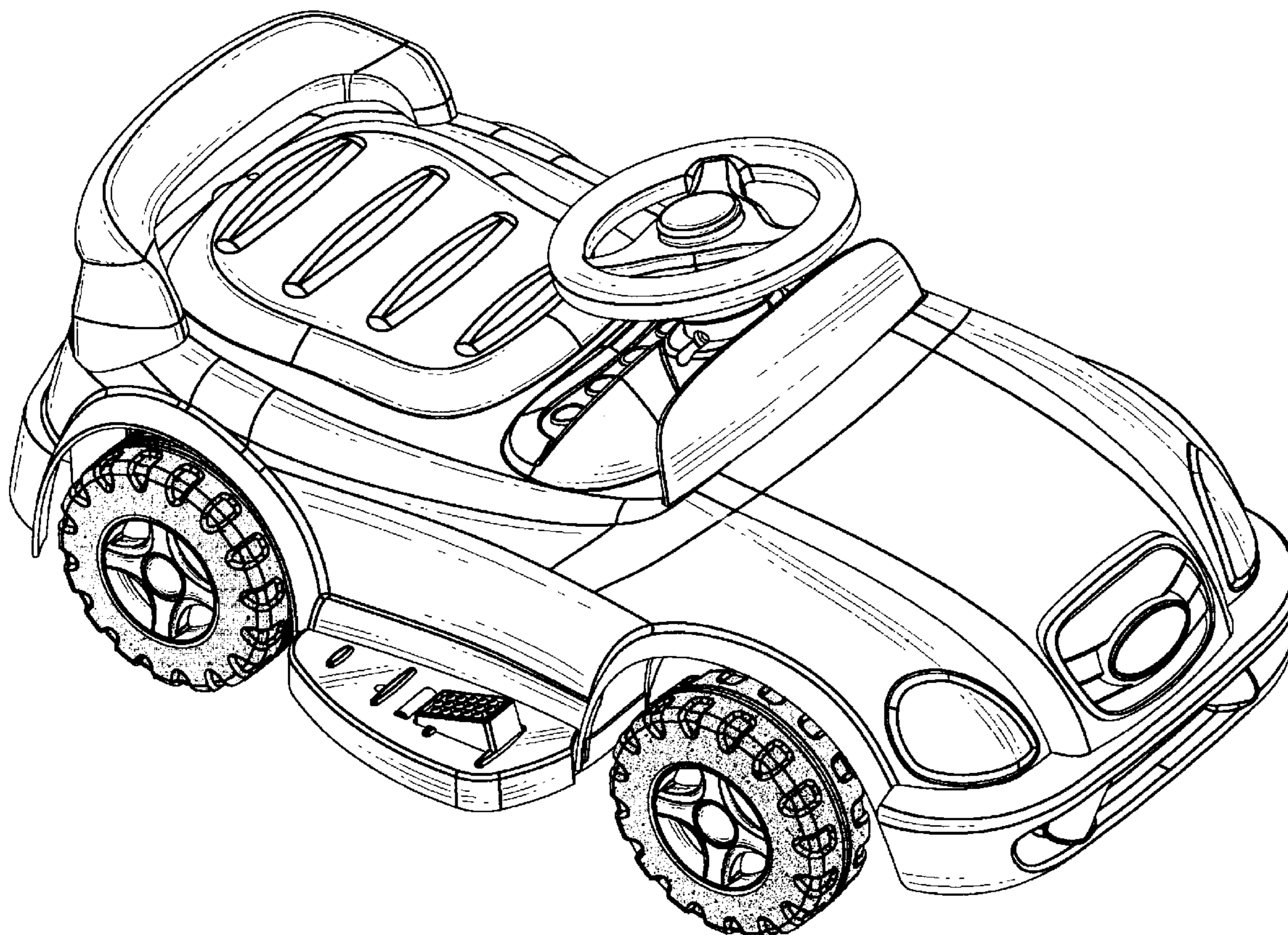
(57) **CLAIM**

The ornamental design for a car for kids, as shown and described.

**DESCRIPTION**

FIG. 1 is a perspective view of a car for kids showing the new design;  
FIG. 2 is a front view thereof;  
FIG. 3 is a rear view thereof;  
FIG. 4 is a left side view thereof;  
FIG. 5 is a right side view thereof;  
FIG. 6 is a top view thereof; and,  
FIG. 7 is a bottom view thereof.

**1 Claim, 7 Drawing Sheets**



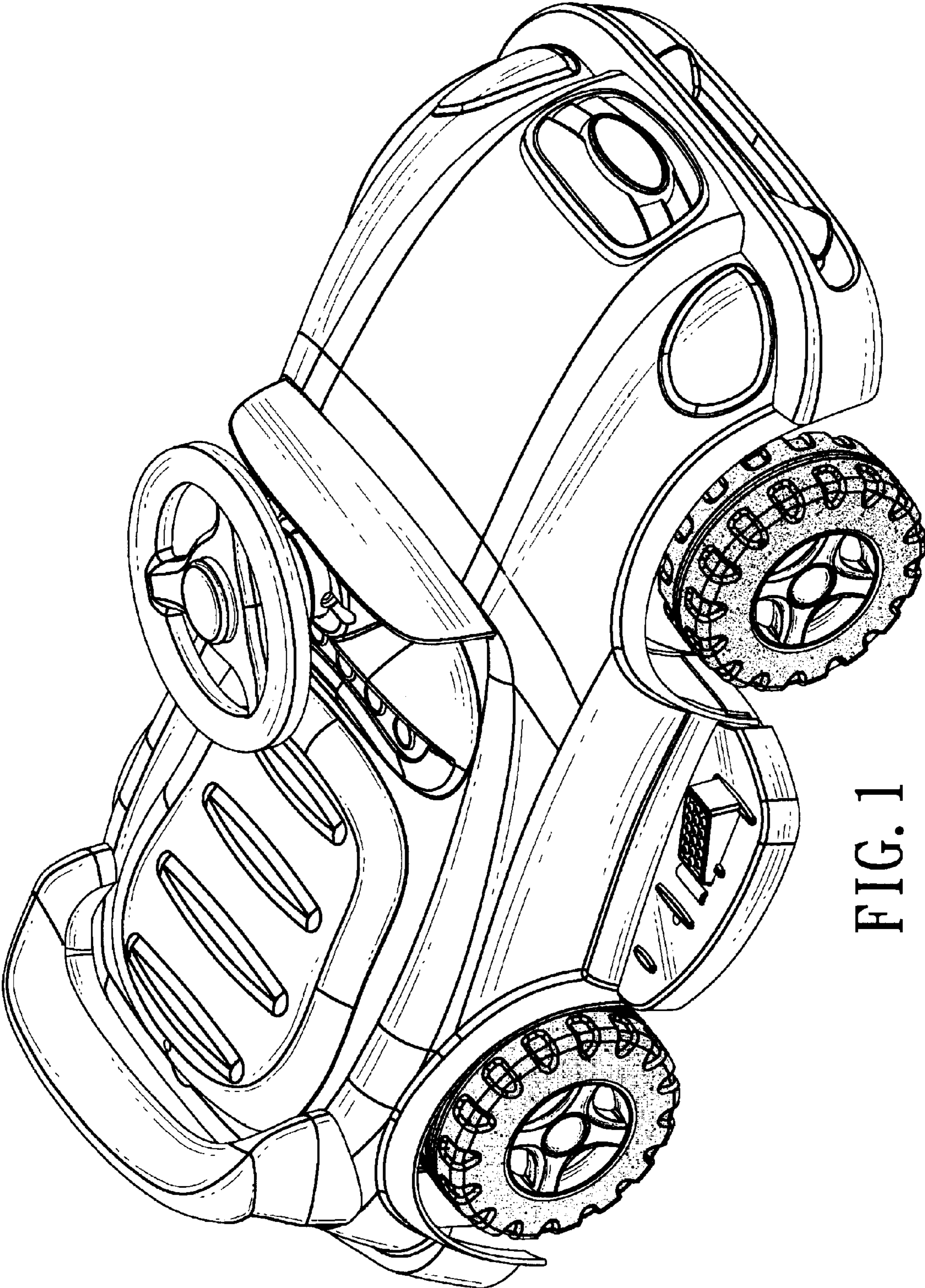


FIG. 1

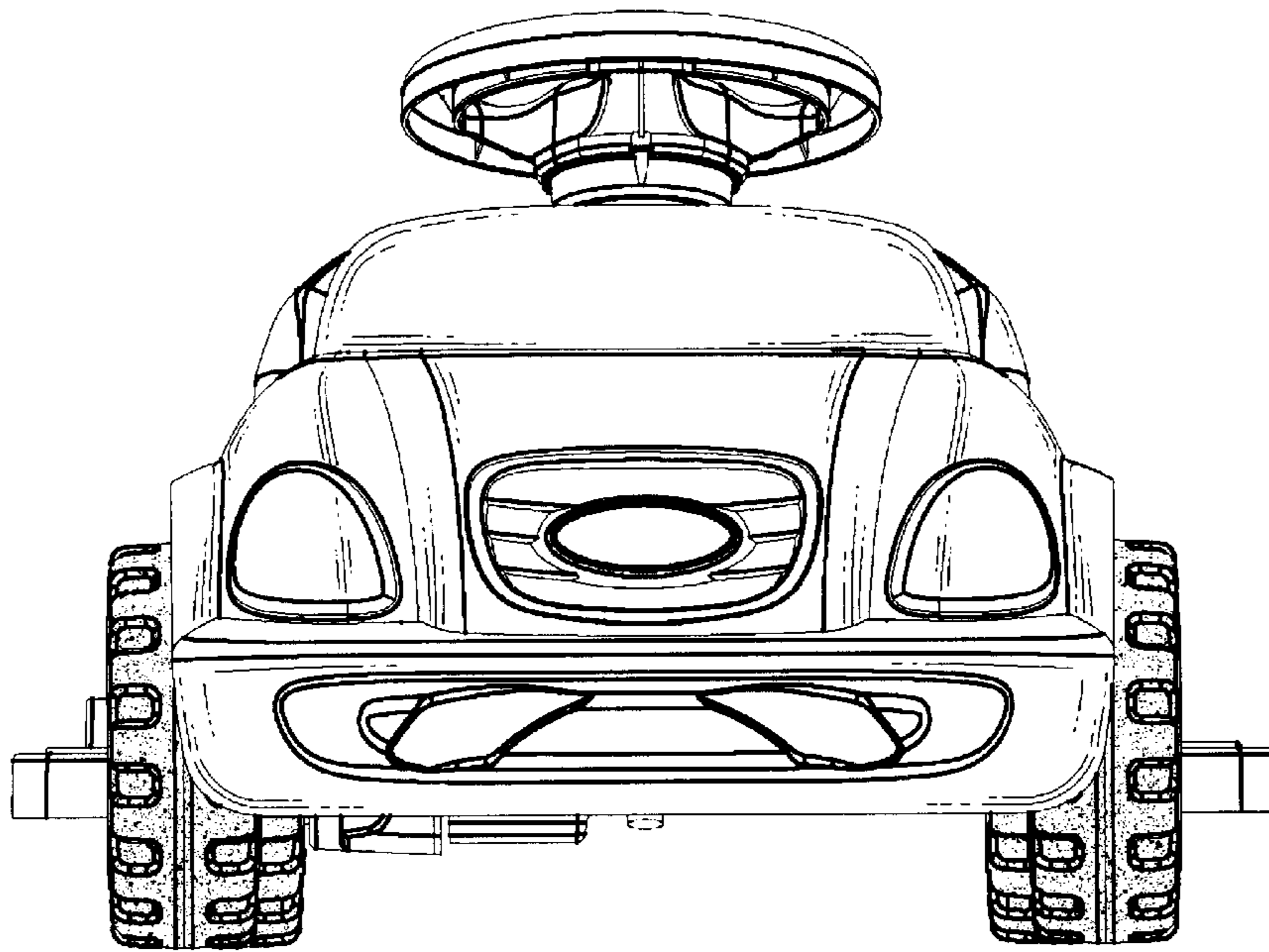


FIG. 2

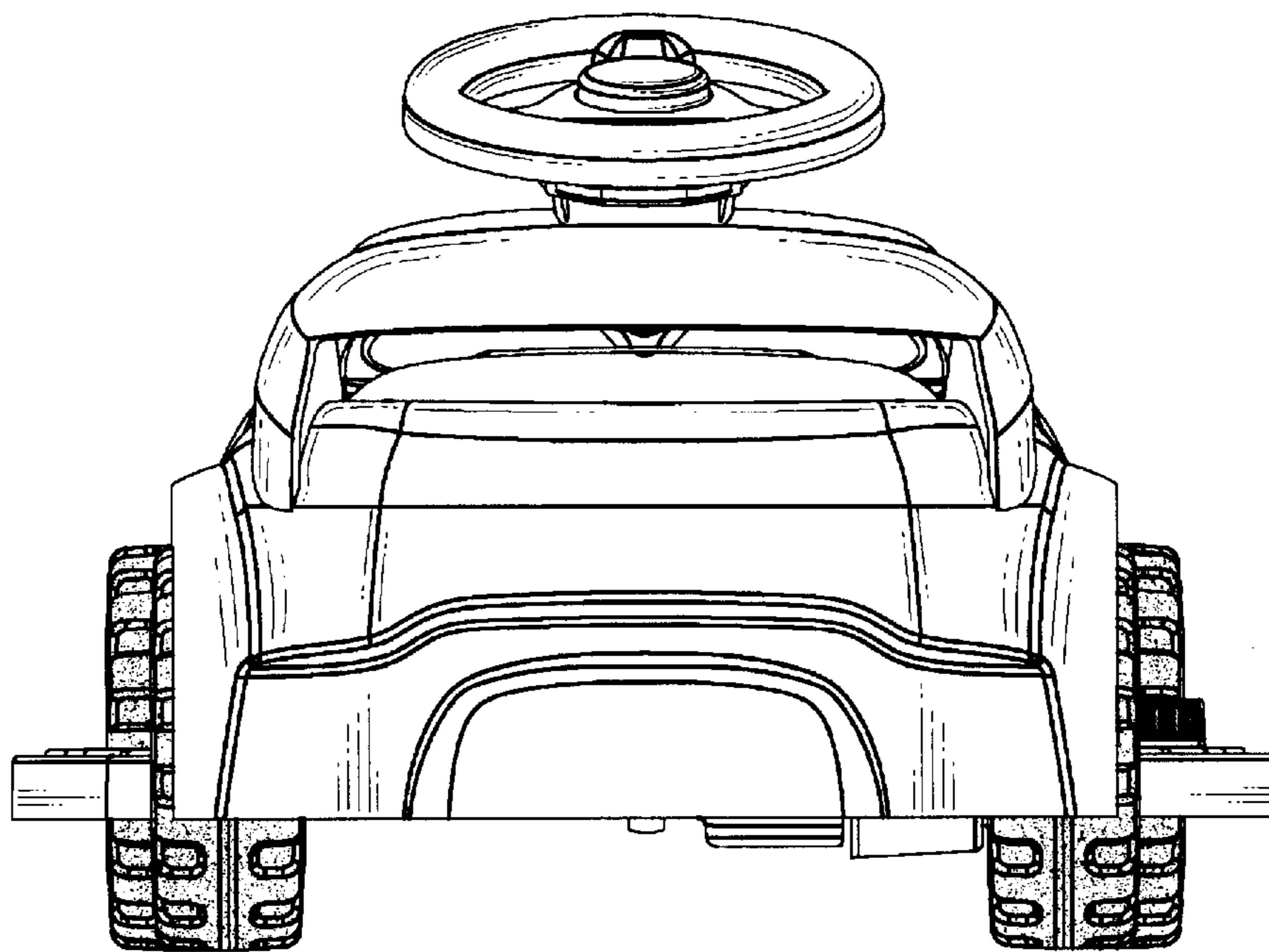


FIG. 3

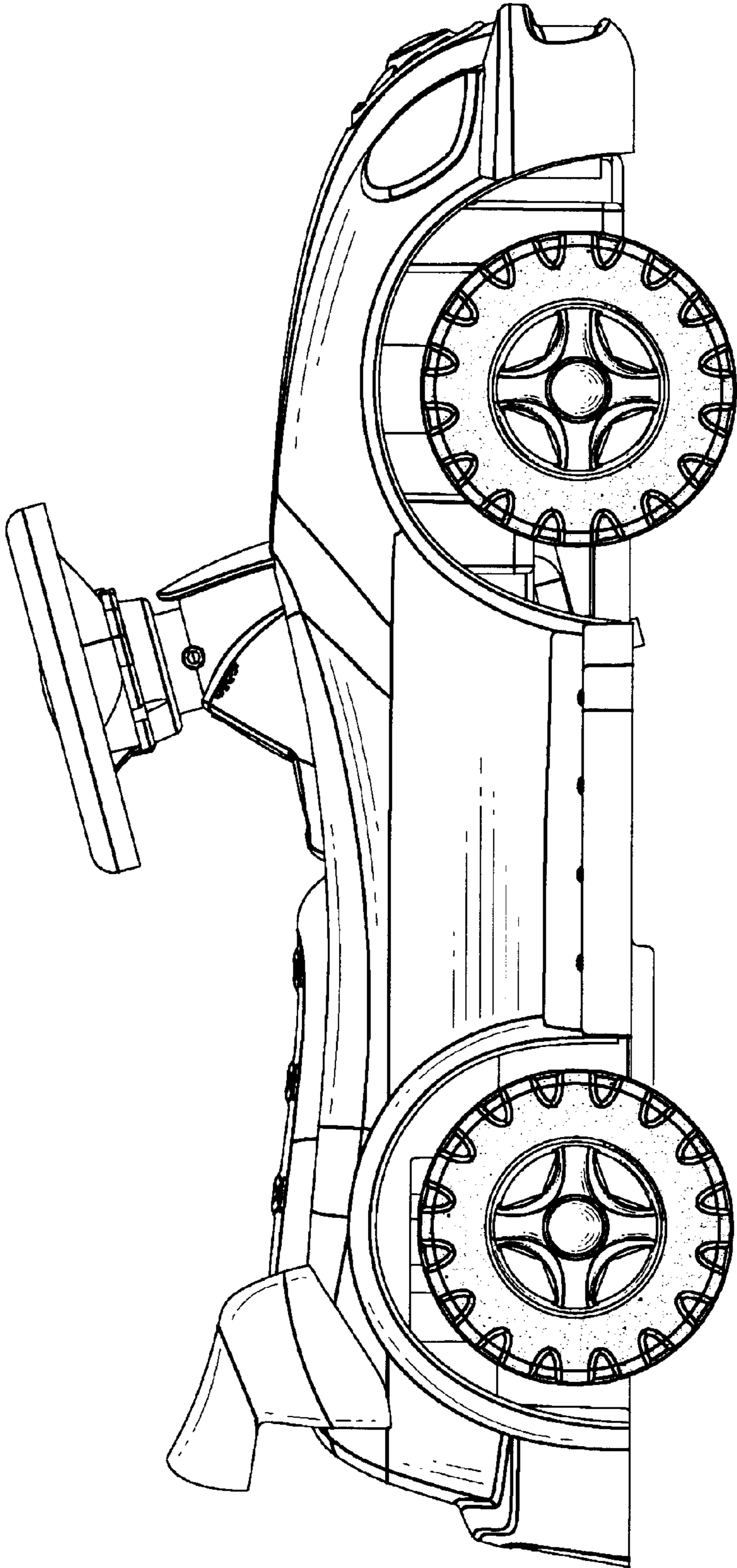


FIG. 4

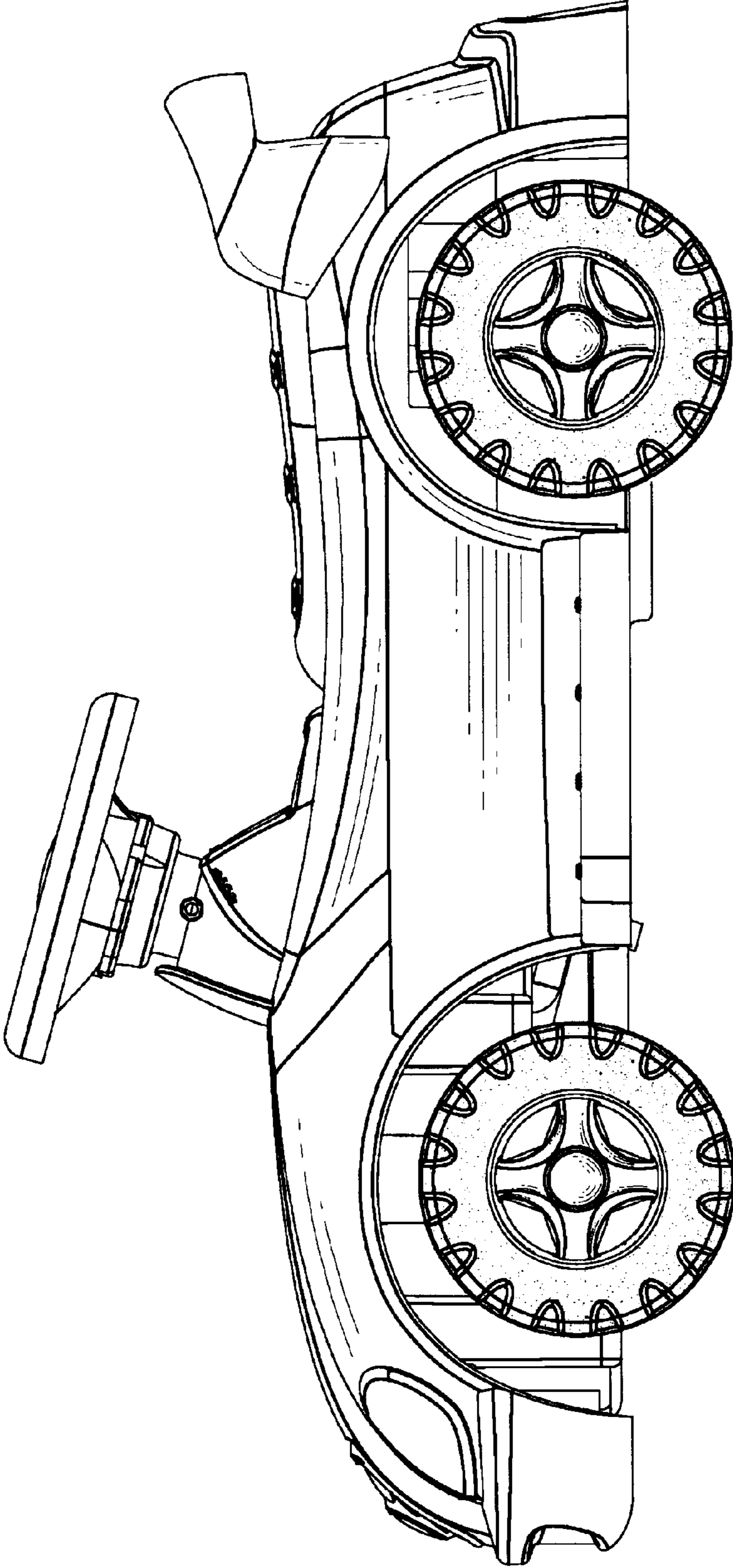


FIG. 5

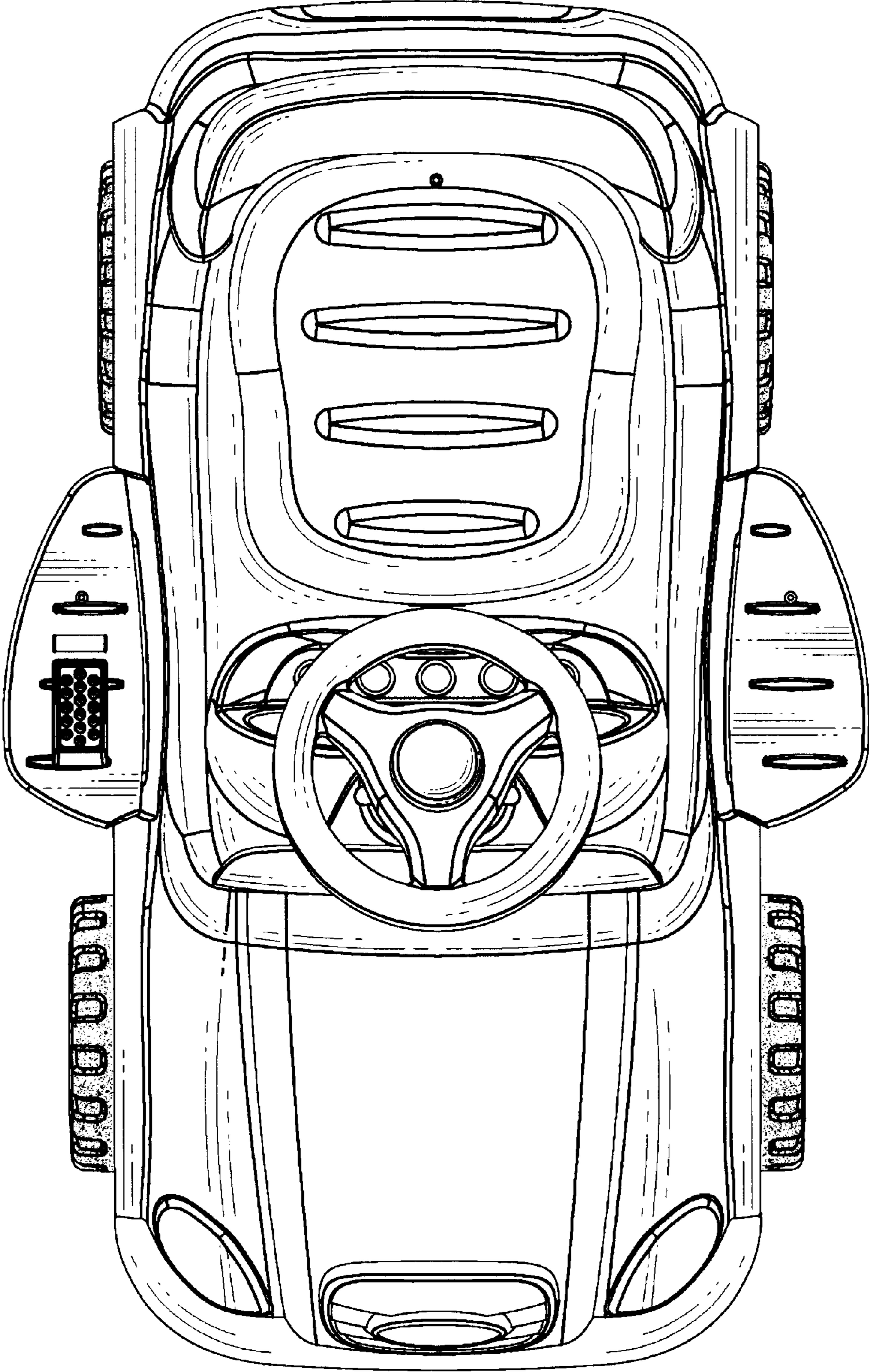


FIG. 6

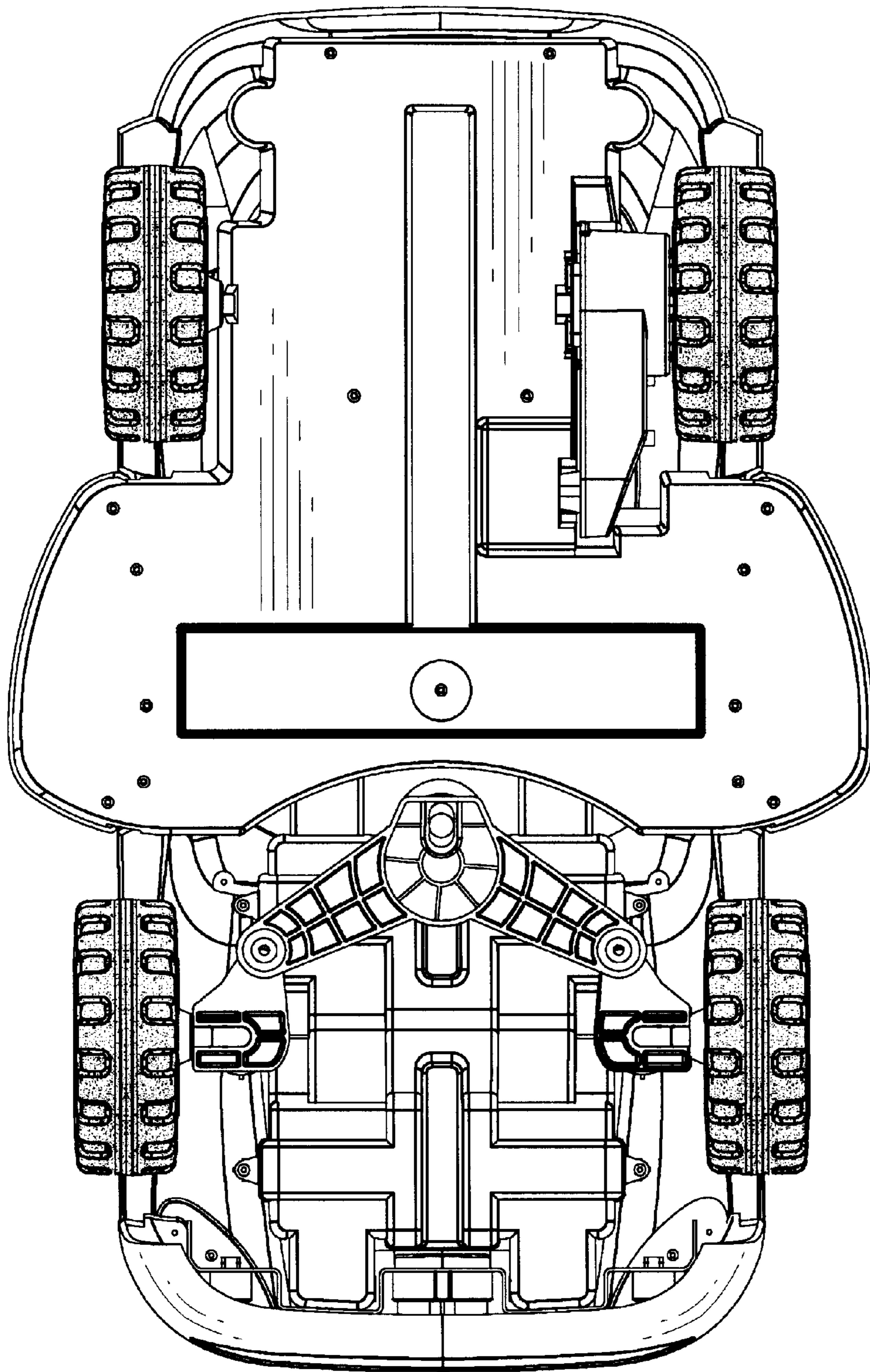


FIG. 7