



US00D533602S

(12) **United States Design Patent**
Chung

(10) **Patent No.:** **US D533,602 S**

(45) **Date of Patent:** **** Dec. 12, 2006**

(54) **MOTORCYCLE FOR KIDS**

(76) **Inventor:** **Li Ping Chung**, No. 33, Lane 458, She Chung St., Shih Li District, Taipei (TW)

(**) **Term:** **14 Years**

(21) **Appl. No.:** **29/235,487**

(22) **Filed:** **Aug. 3, 2005**

(51) **LOC (8) Cl.** **21-01**

(52) **U.S. Cl.** **D21/432**

(58) **Field of Classification Search** D21/419-435,
D21/415, 620; D6/345; 446/456, 465, 470,
446/427-428, 451, 454, 471, 468, 450; 280/1.13,
280/828, 87.01, 282, 87.021, 1.203, 47.11;
D12/110-113

See application file for complete search history.

(56) **References Cited**

U.S. PATENT DOCUMENTS

D284,018 S * 5/1986 Lin D21/538
D297,721 S * 9/1988 Kaneko et al. D12/110
4,871,041 A * 10/1989 Saito et al. 180/219

5,109,942 A * 5/1992 Akimori et al. 180/219
5,109,943 A * 5/1992 Crenshaw et al. 180/228
D389,536 S * 1/1998 Mira Verdu D21/538
D390,889 S * 2/1998 Rodriguez Ferre D21/538
D400,605 S * 11/1998 Rodriguez Ferre D21/538
D443,658 S * 6/2001 Lerch D21/432

* cited by examiner

Primary Examiner—Raphael Barkai

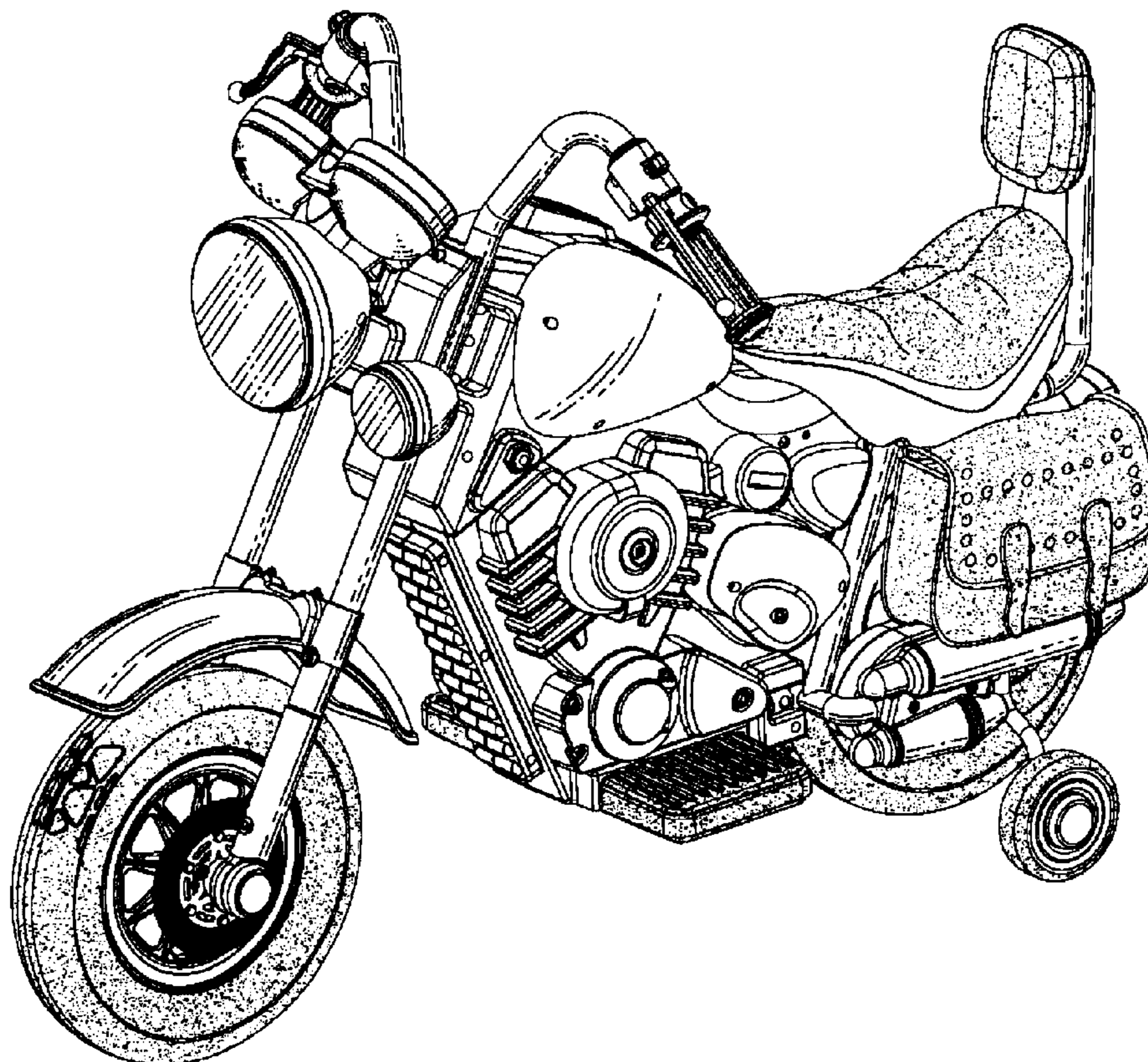
(57) **CLAIM**

The ornamental design for a motorcycle for kids, as shown and described.

DESCRIPTION

FIG. 1 is a perspective view of a motorcycle for kids showing the new design;
FIG. 2 is a front view thereof;
FIG. 3 is a rear view thereof;
FIG. 4 is a left side view thereof;
FIG. 5 is a right side view thereof;
FIG. 6 is a top view thereof; and,
FIG. 7 is a bottom view thereof.

1 Claim, 5 Drawing Sheets



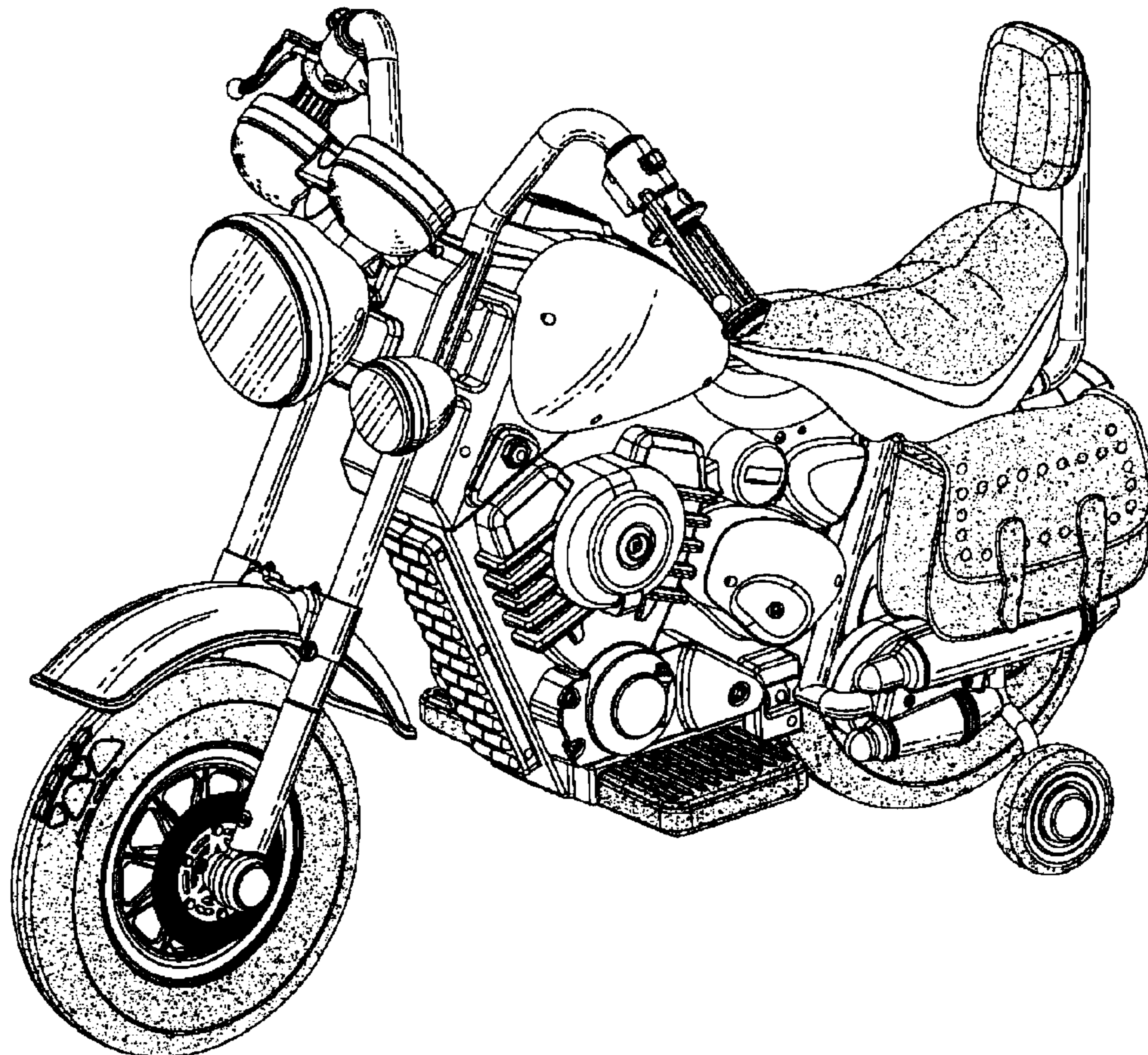


FIG. 1

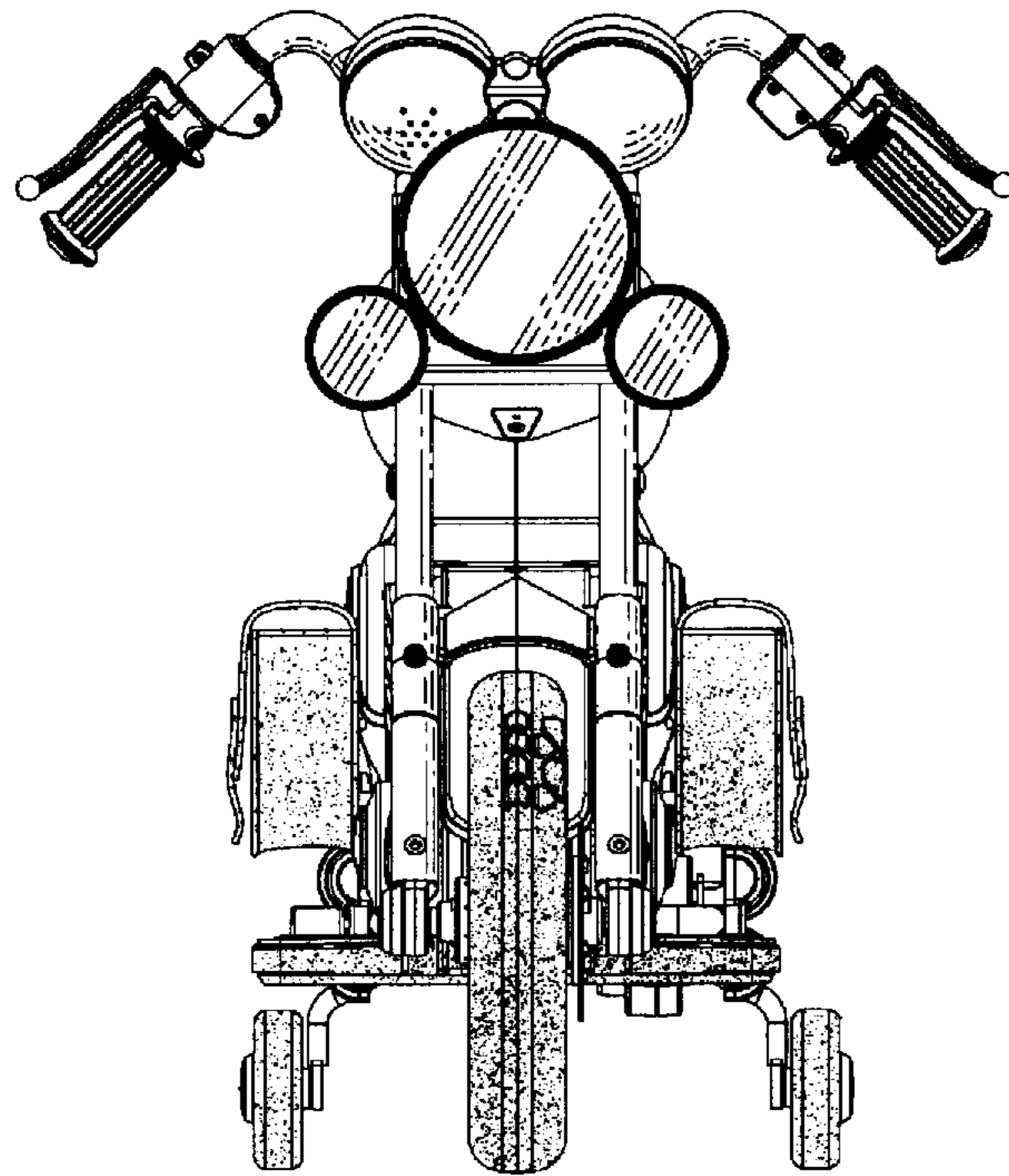


FIG. 2

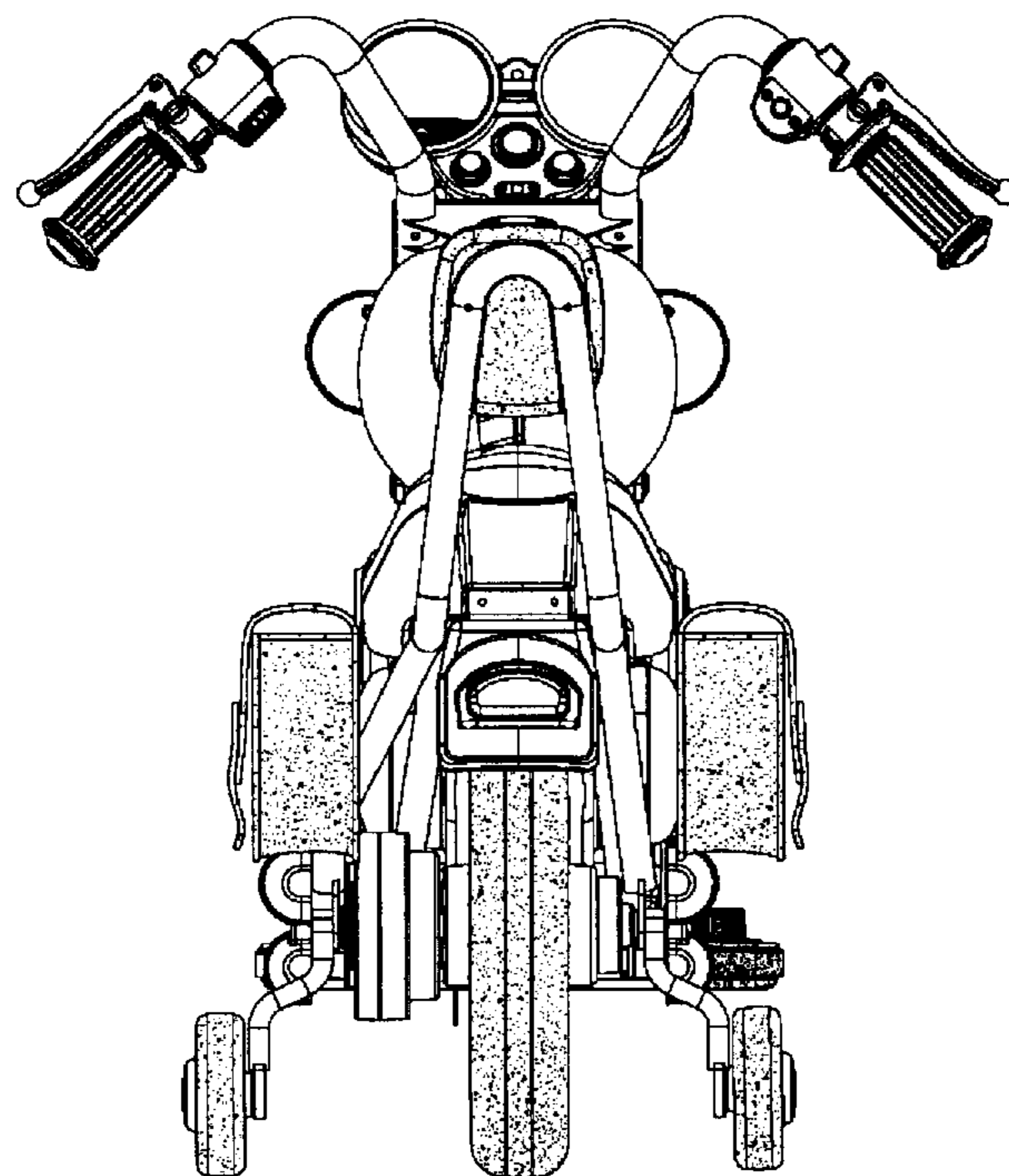


FIG. 3

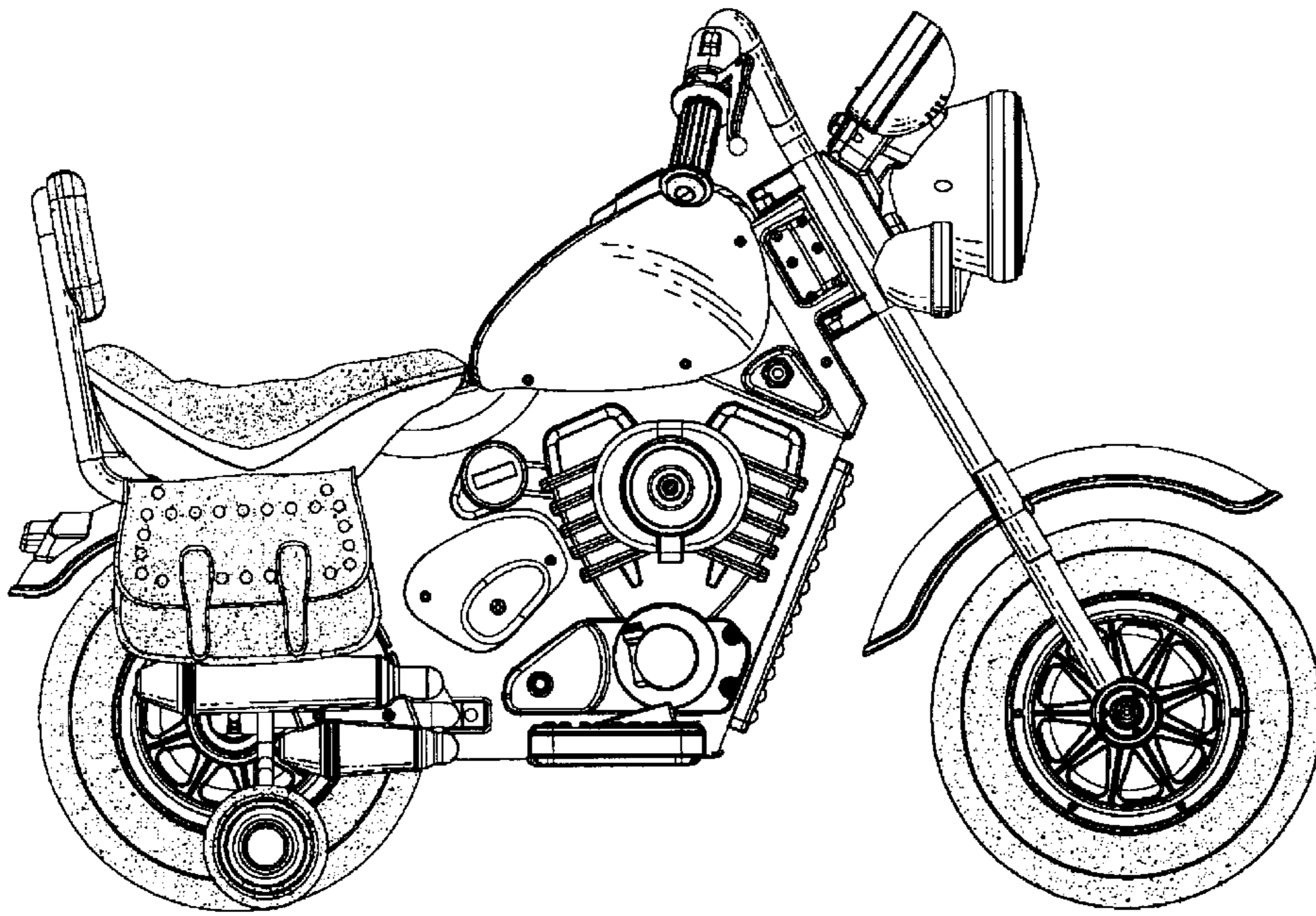


FIG. 4

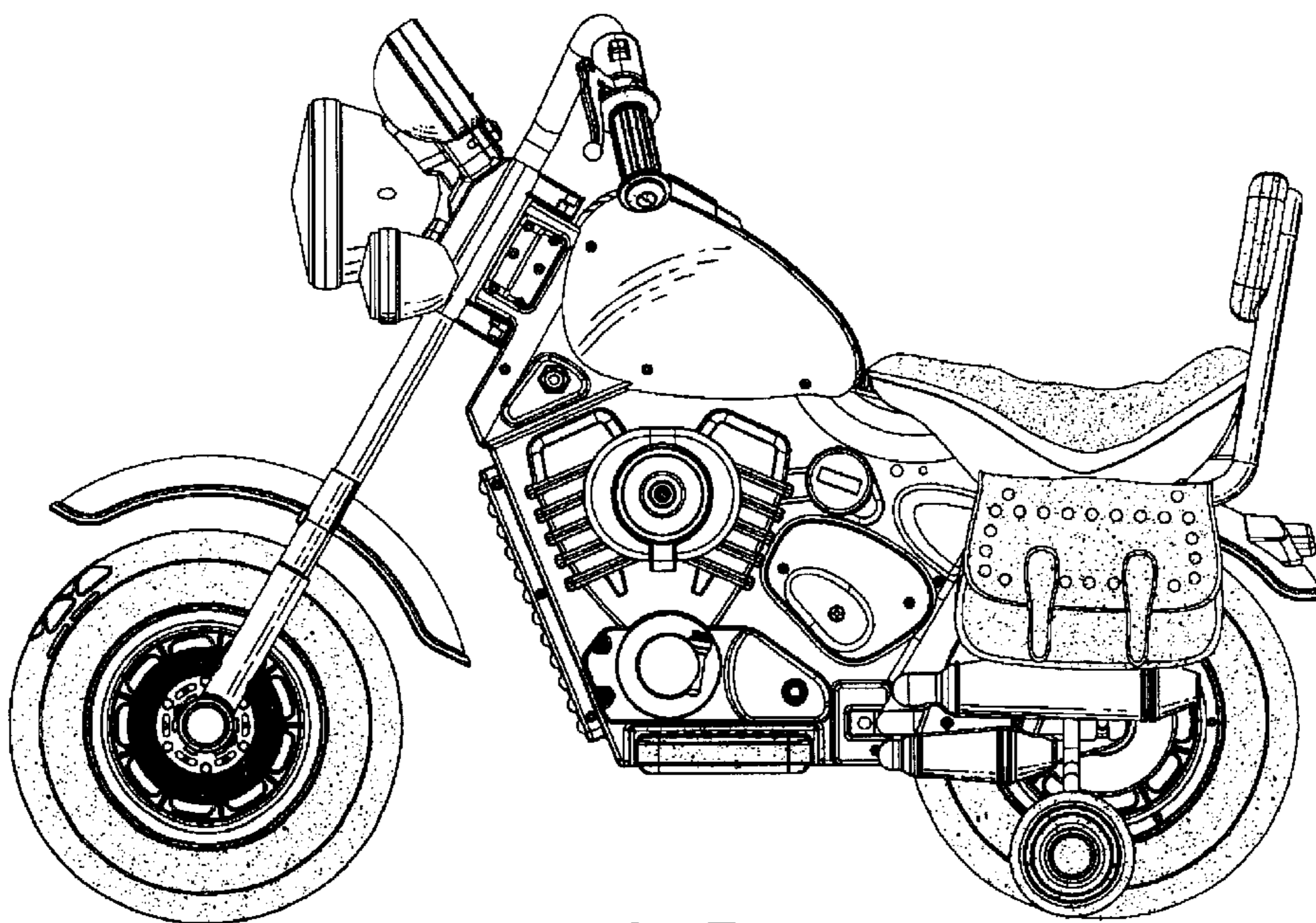


FIG. 5

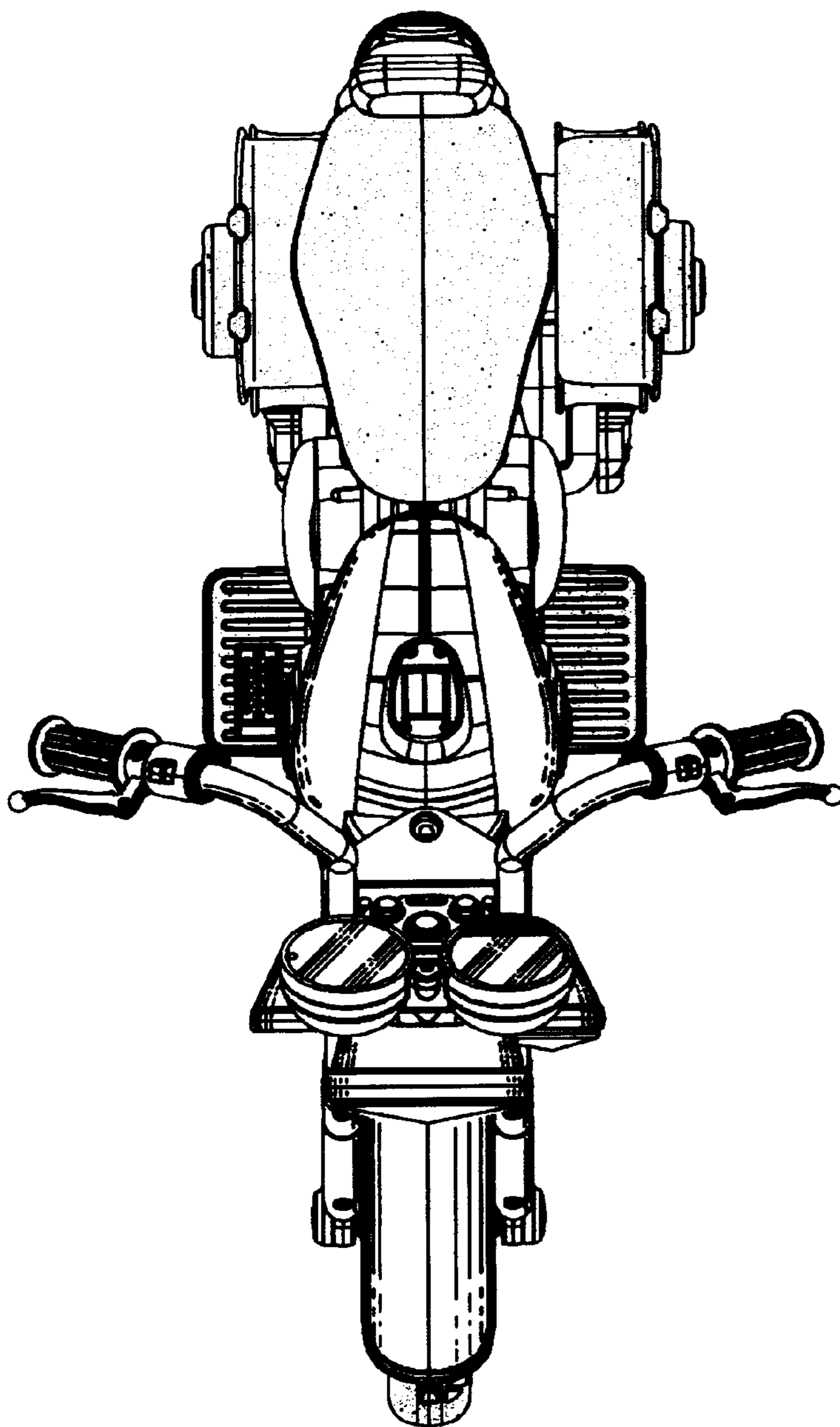


FIG. 6

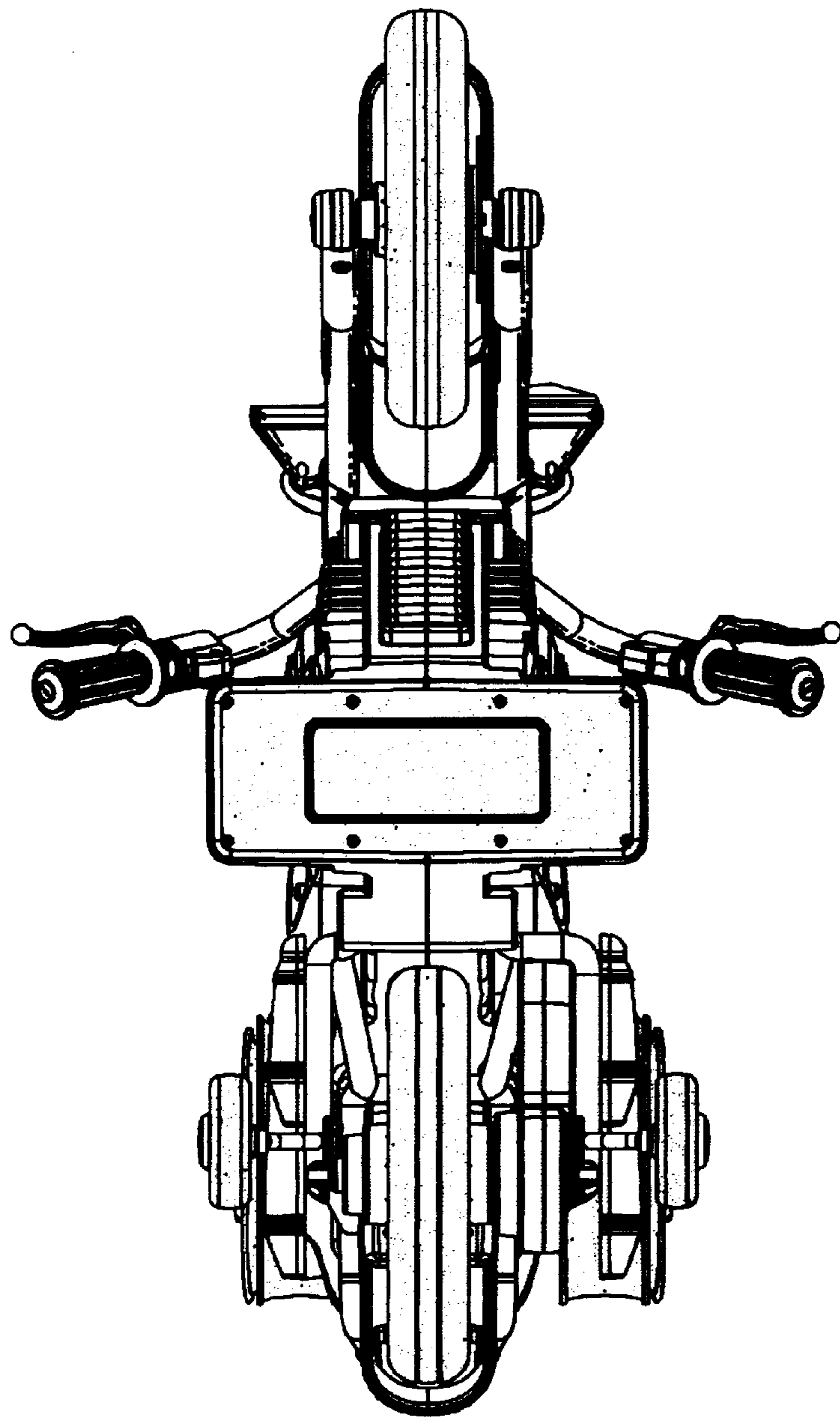


FIG. 7