

US00D533601S

(12) **United States Design Patent**
Moreira

(10) **Patent No.:** **US D533,601 S**

(45) **Date of Patent:** **** Dec. 12, 2006**

(54) **SCOOTER**

(76) **Inventor:** **Simonides Guzman Moreira**, 3680
NW. 20 Ct., Miami, FL (US) 33142

(**) **Term:** **14 Years**

(21) **Appl. No.:** **29/223,348**

(22) **Filed:** **Feb. 14, 2005**

(51) **LOC (8) Cl.** **21-01**

(52) **U.S. Cl.** **D21/423**

(58) **Field of Classification Search** D21/111,
D21/435, 533, 760, 765, 771, 779, 763, 419,
D21/421-424; D12/110-112, 115, 117, 107;
280/87.021, 87.041, 229, 274-279, 281.1,
280/282, 283, 287, 288, 288.1, 288.3, 280.1;
180/180, 181

See application file for complete search history.

(56) **References Cited**

U.S. PATENT DOCUMENTS

D305,134 S	*	12/1989	Rubio et al.	D21/423
D352,921 S	*	11/1994	Pepe	D21/423
D443,000 S	*	5/2001	Chen	D21/423
D444,184 S	*	6/2001	Kettler	D21/423
D445,145 S	*	7/2001	Yang	D21/423
D449,860 S	*	10/2001	Lin	D21/423
D476,042 S	*	6/2003	Hsieh	D21/423

D487,908 S	*	3/2004	Mayer et al.	D21/423
D492,367 S	*	6/2004	Dennis	D21/423
6,830,255 B1	*	12/2004	Cheng	280/87.041
D504,920 S	*	5/2005	Hong	D21/423
D508,093 S	*	8/2005	Wu	D21/421

OTHER PUBLICATIONS

Lillian Vernon holiday 2002 catalog p. 118.*

Things You Never Knew Existed catalog 2003 p. 63.*

* cited by examiner

Primary Examiner—Raphael Barkai

Assistant Examiner—Randall H. Gholson

(74) *Attorney, Agent, or Firm*—Sanchelima & Assoc., P.A.

(57) **CLAIM**

The ornamental design for a scooter, as shown and deccribed.

DESCRIPTION

FIG. 1 is a perspective view of a scooter showing my new design;

FIG. 2 is a front elevational view thereof;

FIG. 3 is a rear elevational view thereof;

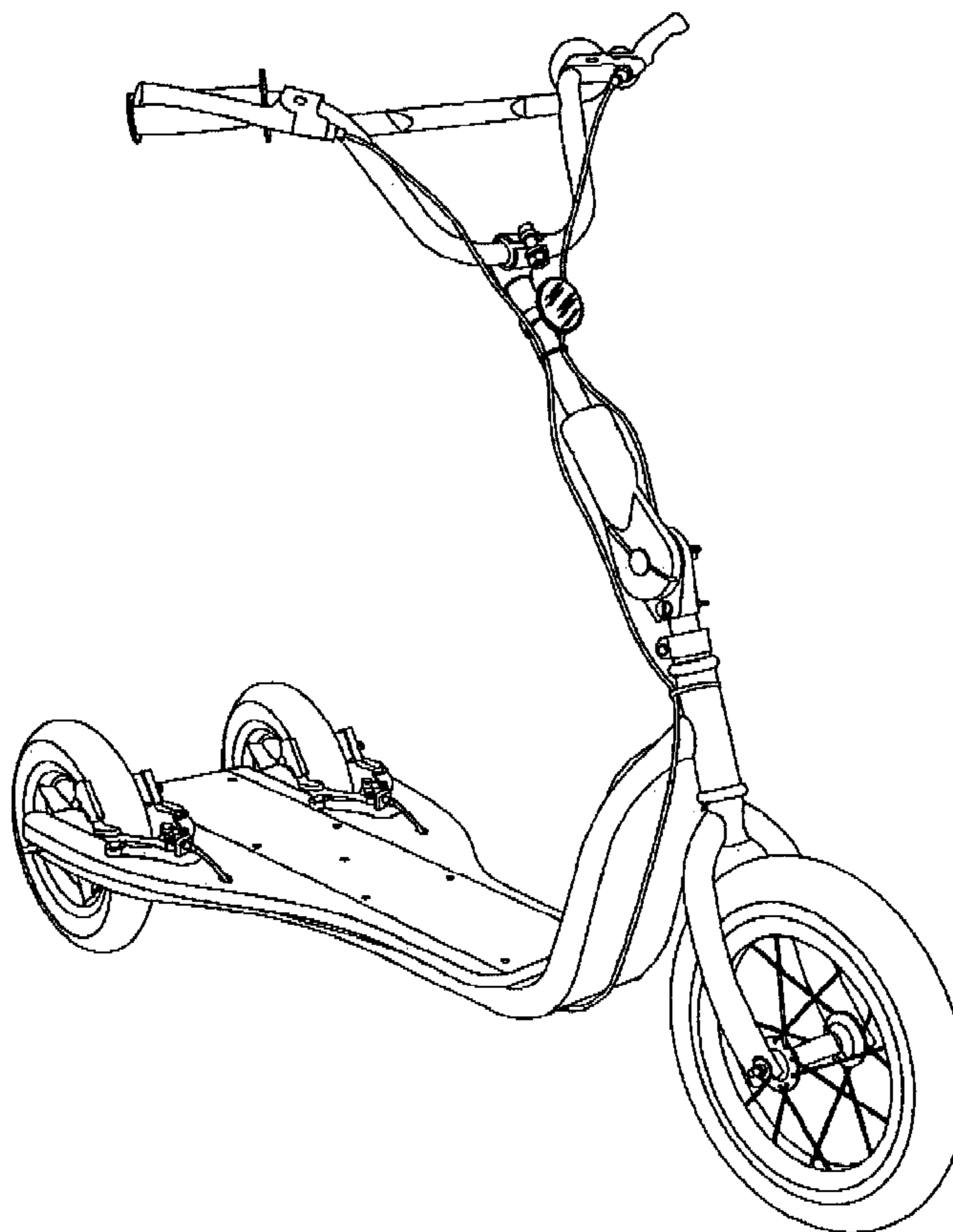
FIG. 4 is a left side elevational view thereof;

FIG. 5 is a right side elevational view thereof;

FIG. 6 is a top plan view thereof; and,

FIG. 7 is a bottom plan view thereof my instant invention.

1 Claim, 4 Drawing Sheets



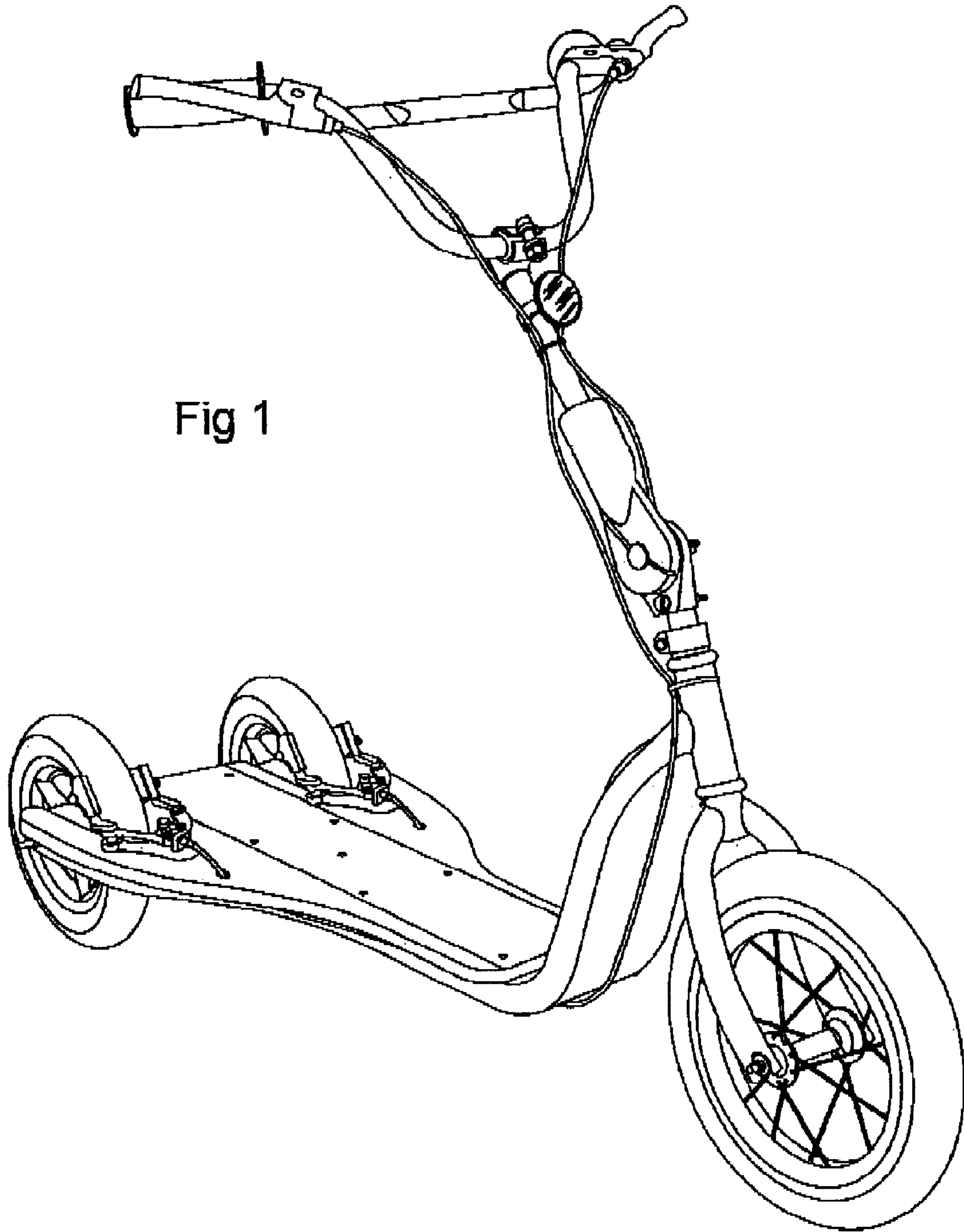


Fig 1

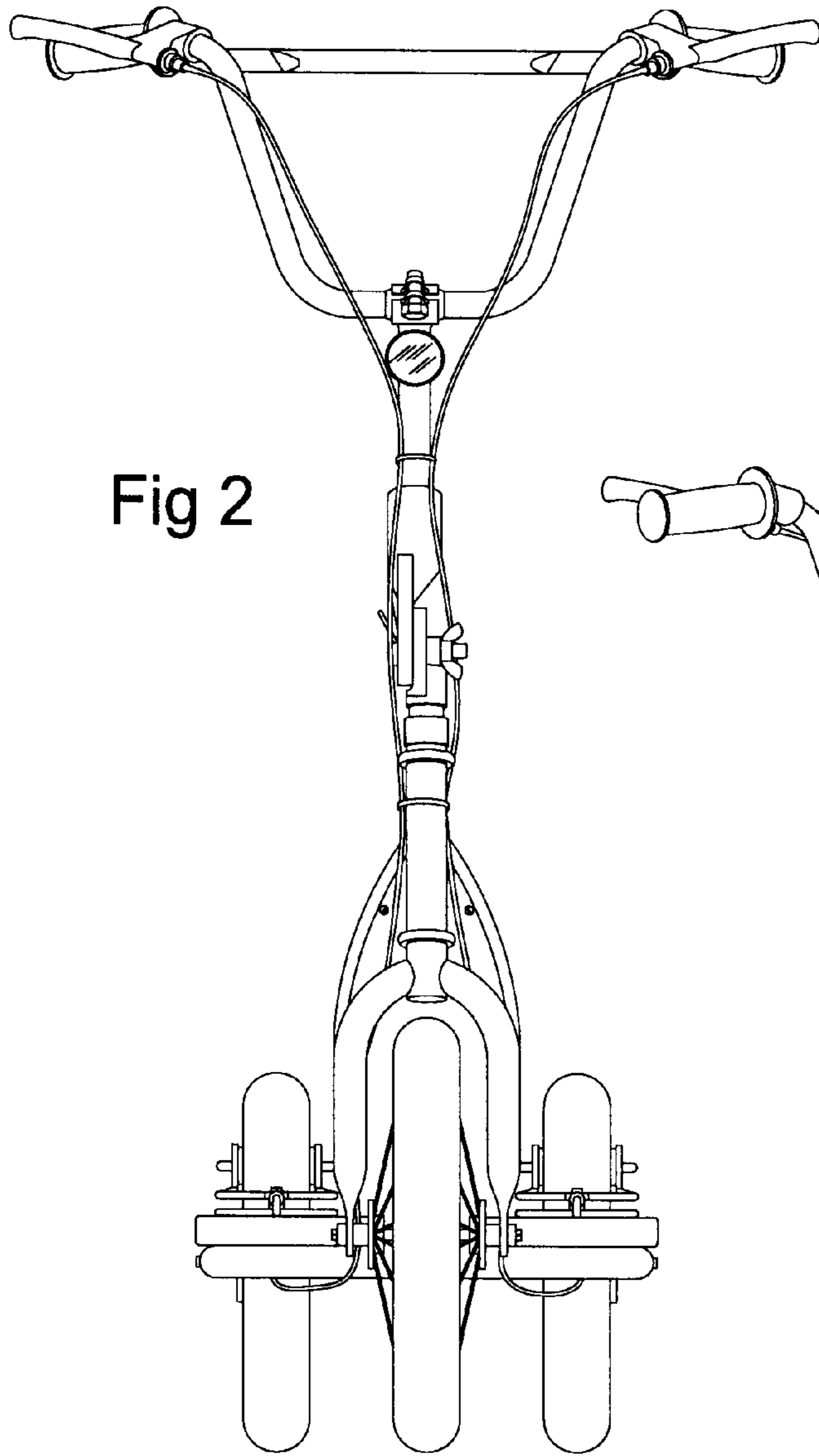


Fig 2

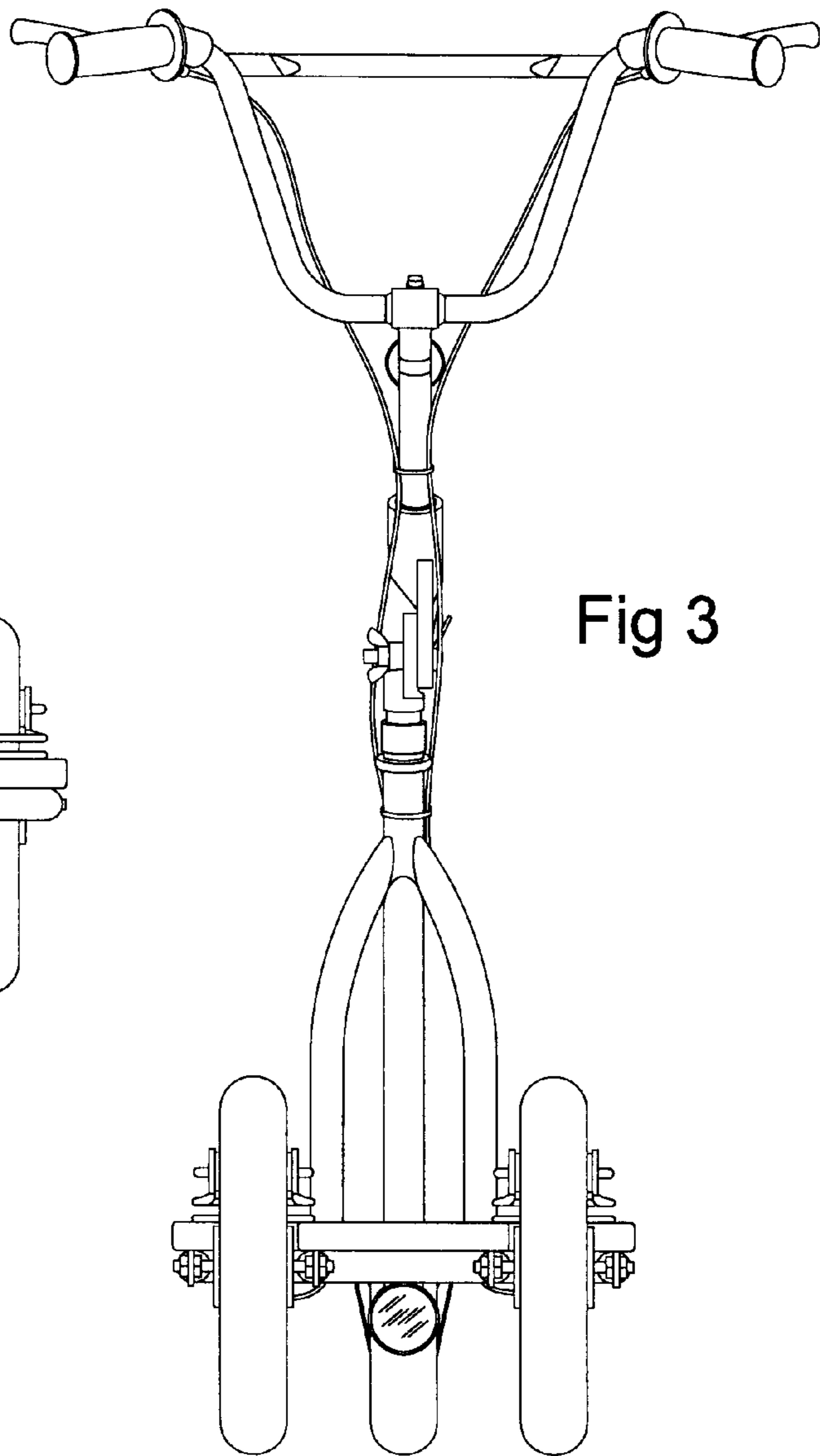


Fig 3

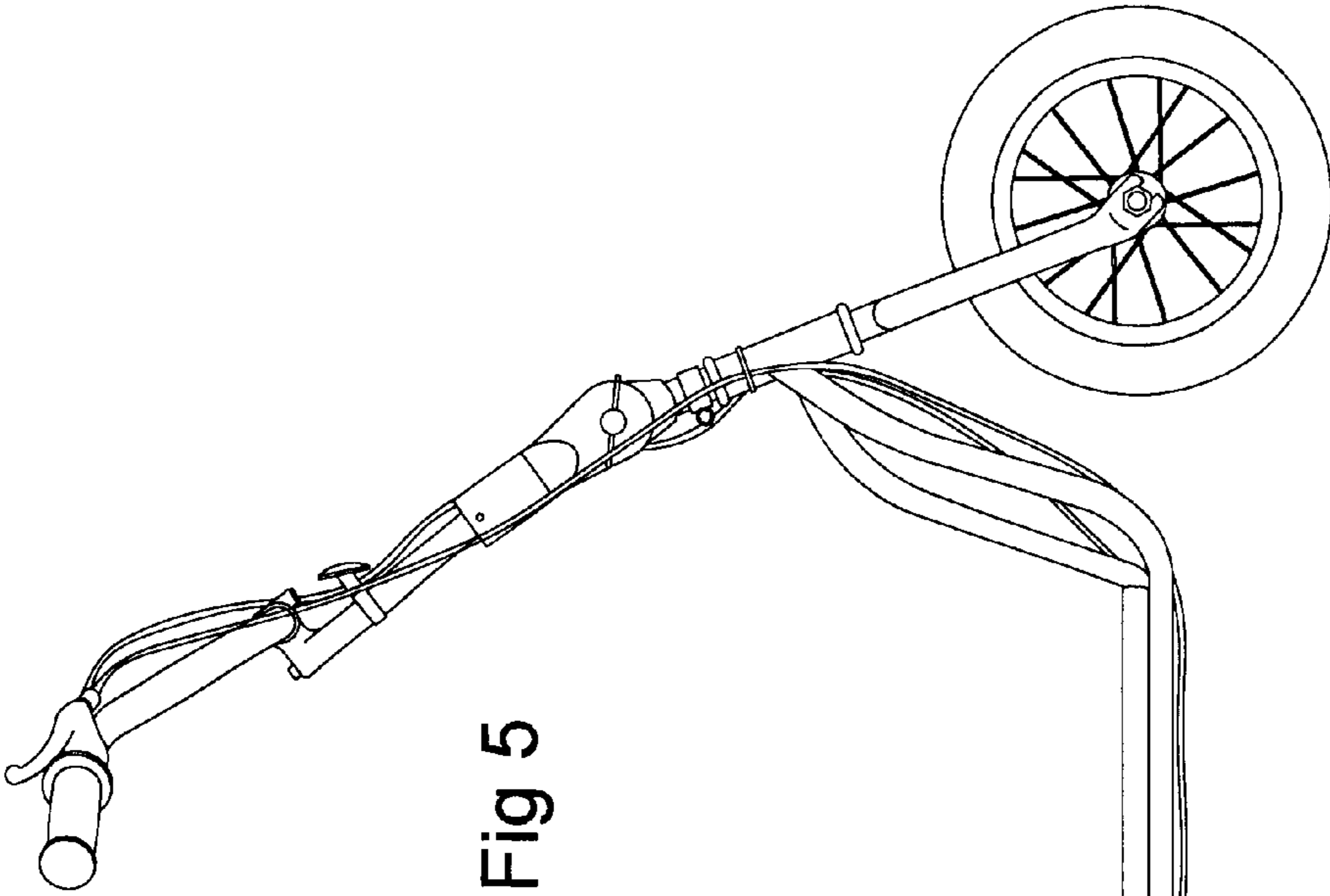


Fig 5

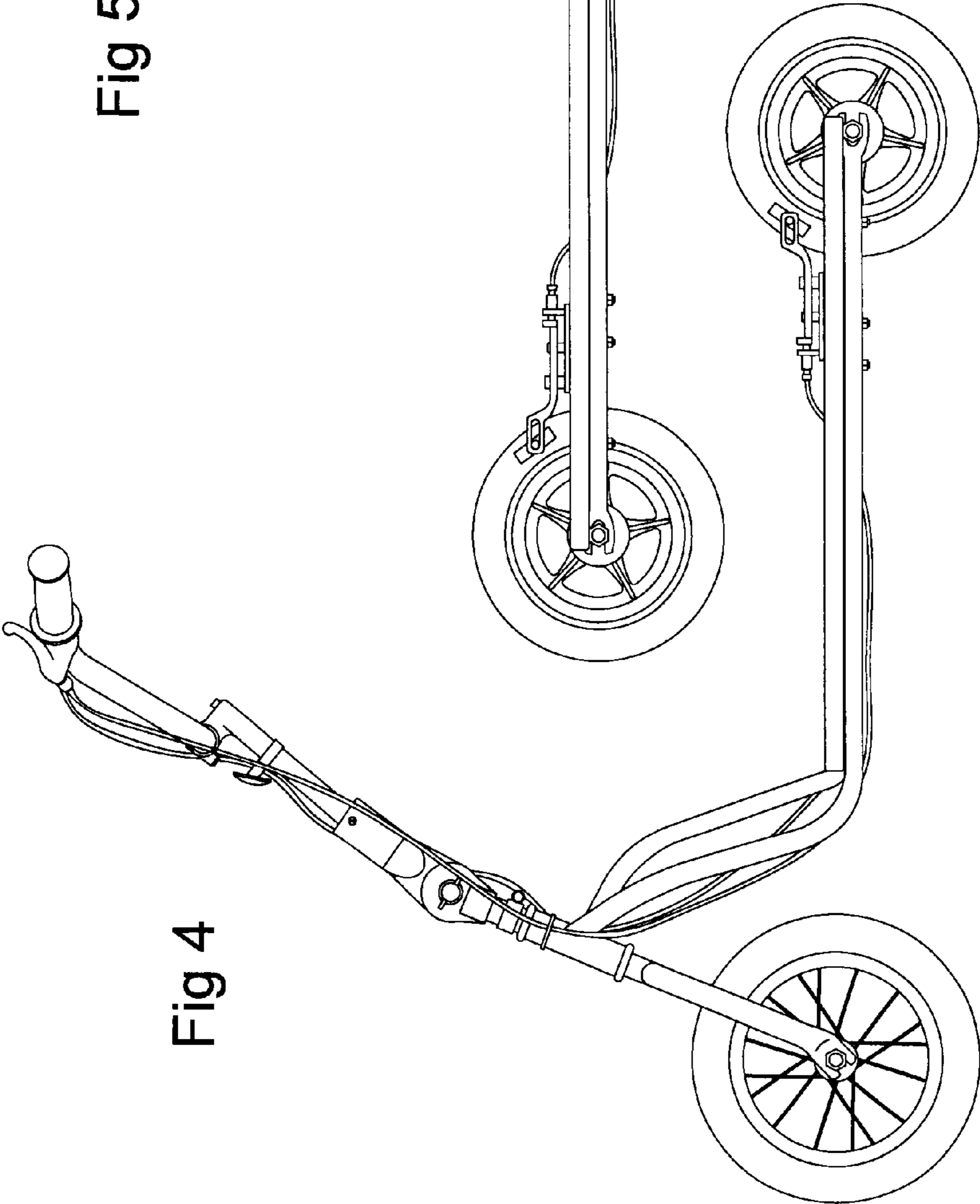


Fig 4

