



US00D533600S

(12) **United States Design Patent** (10) **Patent No.:** **US D533,600 S**
Kennedy (45) **Date of Patent:** **** Dec. 12, 2006**

(54) **QUOIT**

(76) Inventor: **Nicholas A. Kennedy**, 1155 Stone Crossing, Easton, PA (US) 18045

(**) Term: **14 Years**

(21) Appl. No.: **29/221,600**

(22) Filed: **Jan. 18, 2005**

(51) **LOC (8) Cl.** **21-01**

(52) **U.S. Cl.** **D21/387; D21/444**

(58) **Field of Classification Search** **D21/385-391, D21/443-444; 446/46-48; 473/588-589; 273/236-288, 336, 339**

See application file for complete search history.

(56) **References Cited**

U.S. PATENT DOCUMENTS

1,489,550	A *	4/1924	Shaffer	473/589
4,302,901	A *	12/1981	Psyra	446/46
4,906,007	A *	3/1990	Mitchell et al.	473/589
4,940,441	A *	7/1990	Novinsky	446/46
5,067,923	A *	11/1991	de Bourbon	446/46
5,277,641	A *	1/1994	Gable et al.	446/46
5,803,459	A *	9/1998	Casas-Salat	273/288
6,135,455	A *	10/2000	McNally	273/336
6,196,544	B1 *	3/2001	Rachofsky	273/157 R
6,971,940	B1 *	12/2005	Cohen et al.	446/47
2004/0107431	A1 *	6/2004	Wilcoxson et al.	446/46

* cited by examiner

Primary Examiner—Sandra L. Morris

(74) Attorney, Agent, or Firm—Clinton H. Wilkinson; Charles A. Wilkinson

(57) **CLAIM**

I claim the ornamental design for the quoit.

DESCRIPTION

FIG. 1 is a top plan view of a first embodiment of the quoit of the invention showing my new design;

FIG. 2 is a bottom plan view thereof;

FIG. 3 is a side elevational view thereof taken along line 3—3 in FIG. 1;

FIG. 4 is a side elevational view thereof taken along line 4—4 in FIG. 1;

FIG. 5 is a cross-sectional view thereof taken along line 5—5 in FIG. 2;

FIG. 6 is a cross-sectional view thereof taken along line 6—6 in FIG. 2;

FIG. 7 is a top plan view of a second embodiment of the quoit of the invention showing my new design;

FIG. 8 is a bottom plan view thereof;

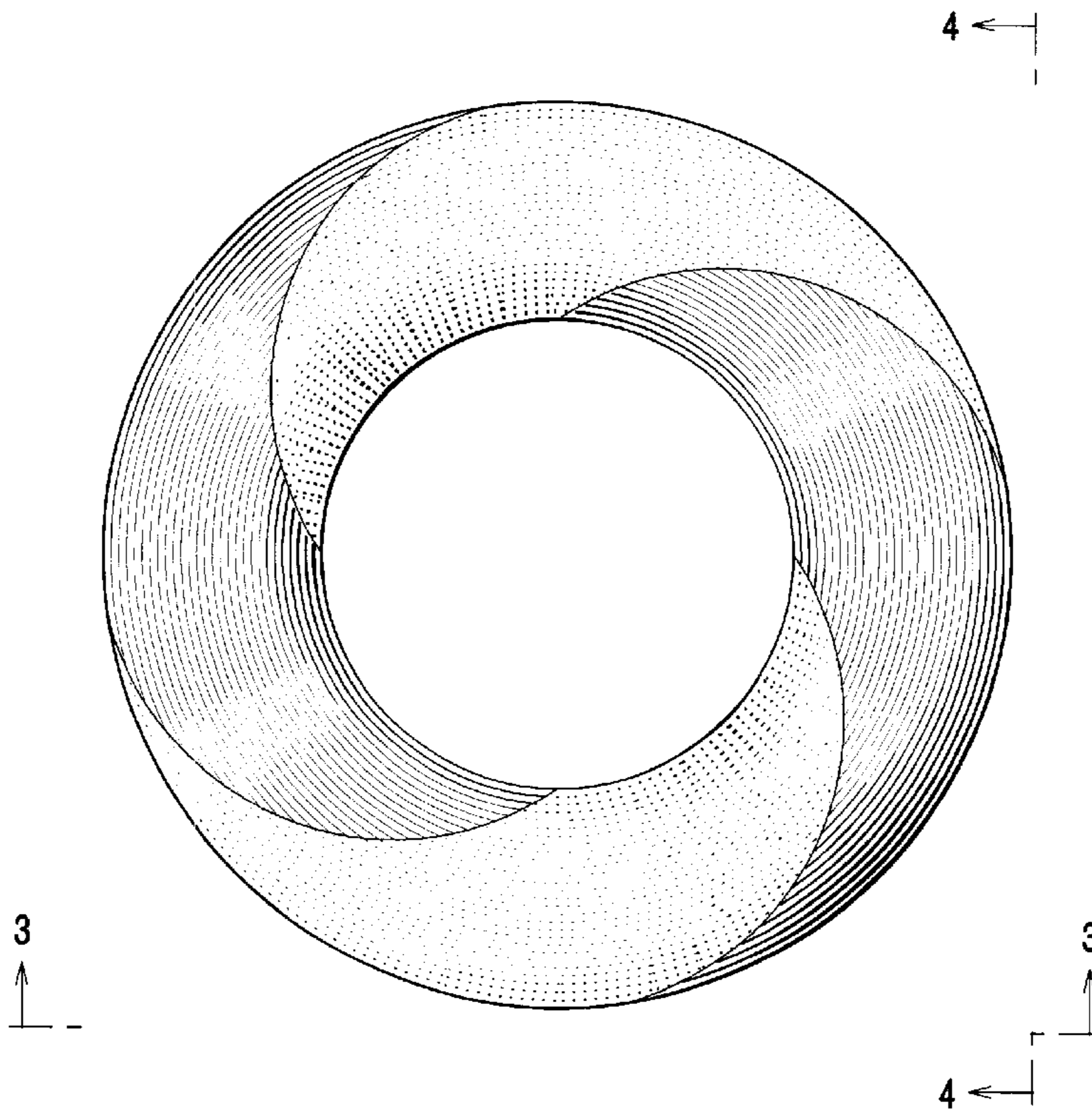
FIG. 9 is a side elevational view thereof taken along line 9—9 in FIG. 7;

FIG. 10 is a side elevational view thereof taken along line 10—10 in FIG. 7;

FIG. 11 is a cross-sectional view thereof taken along line 11—11 in FIG. 8; and,

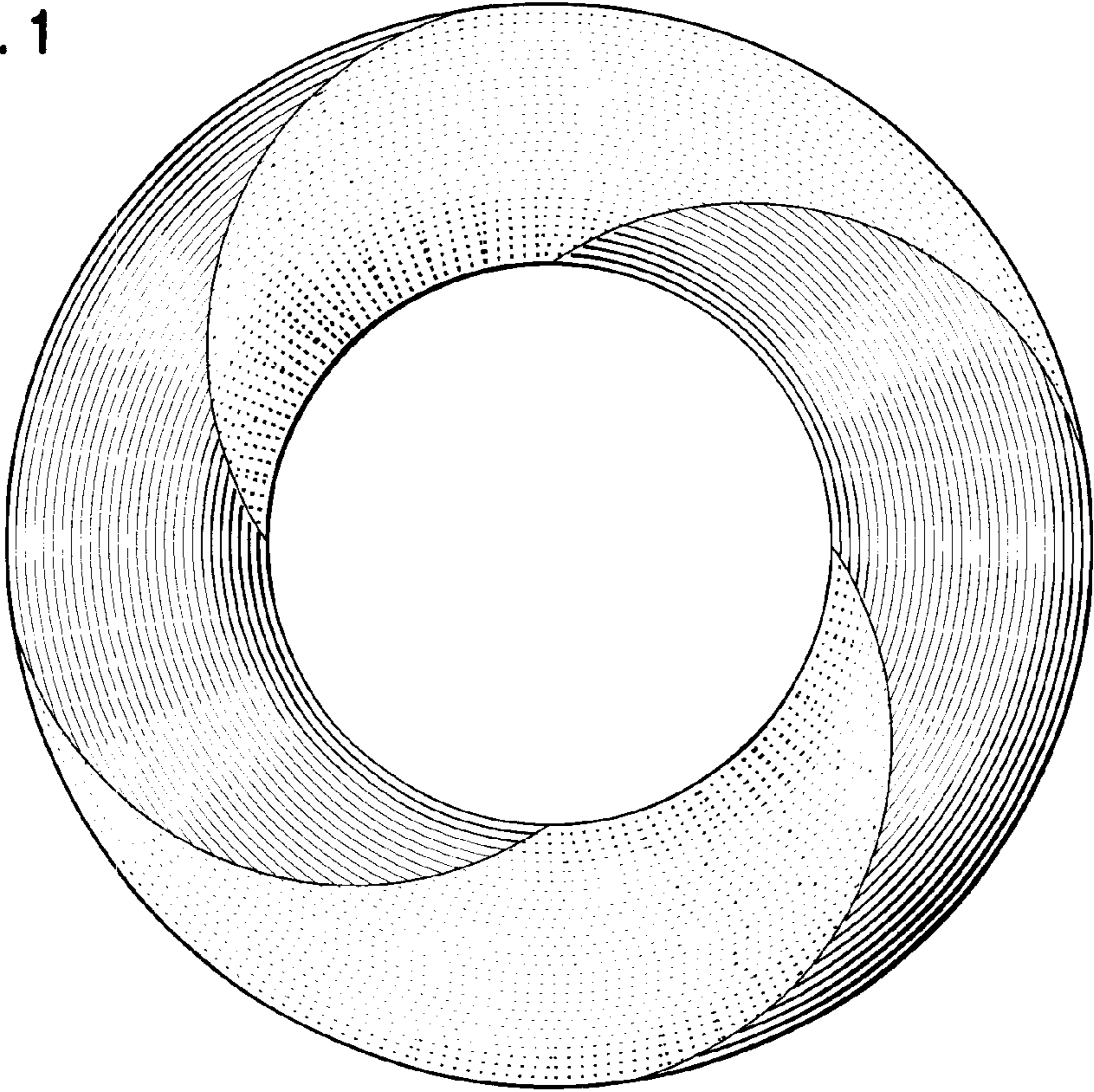
FIG. 12 is a cross-sectional view thereof taken along line 6—6 in FIG. 8.

1 Claim, 4 Drawing Sheets



4 ←

Fig. 1



3 ↑

3 ↑
4 ←

Fig. 3

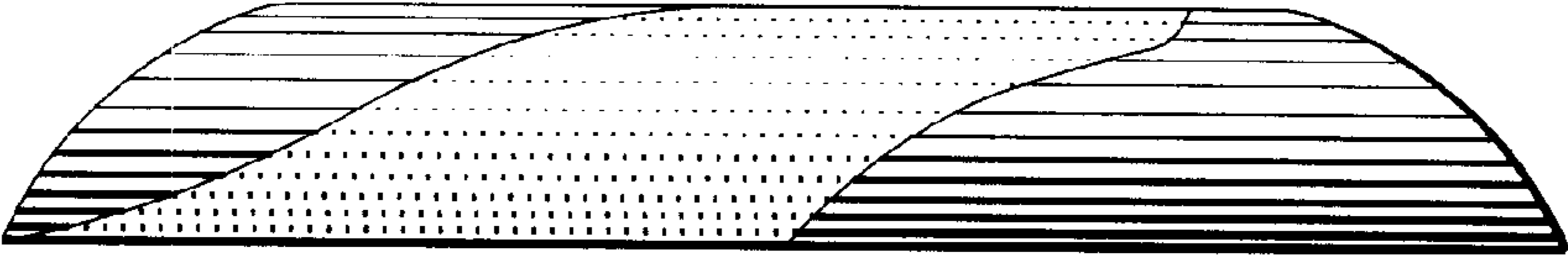


Fig. 4

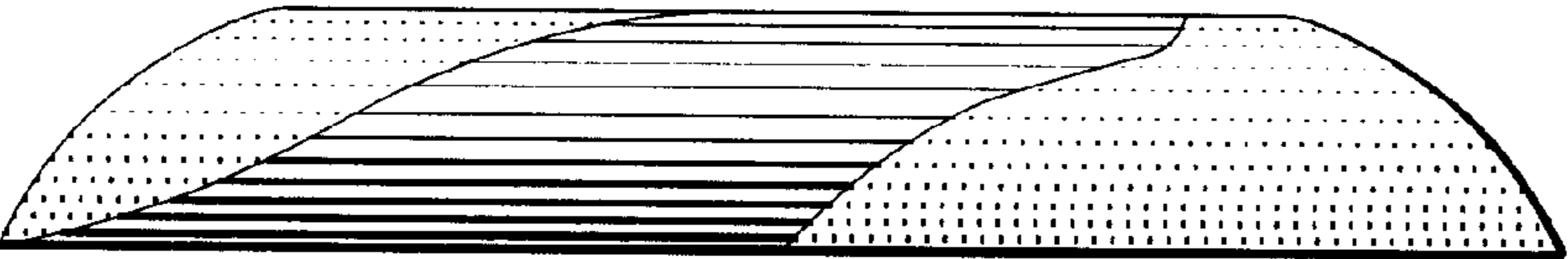


Fig. 2

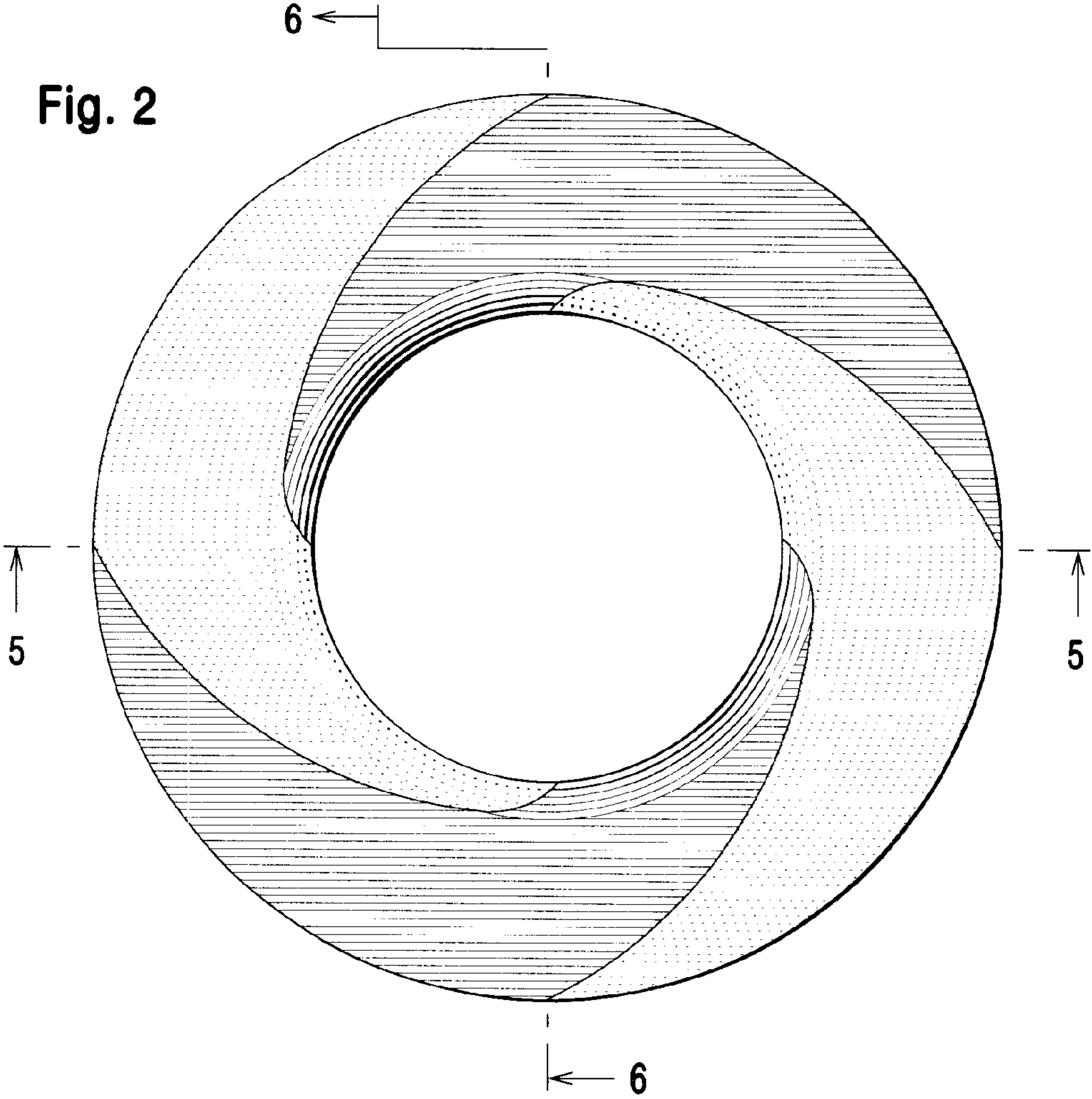


Fig. 5

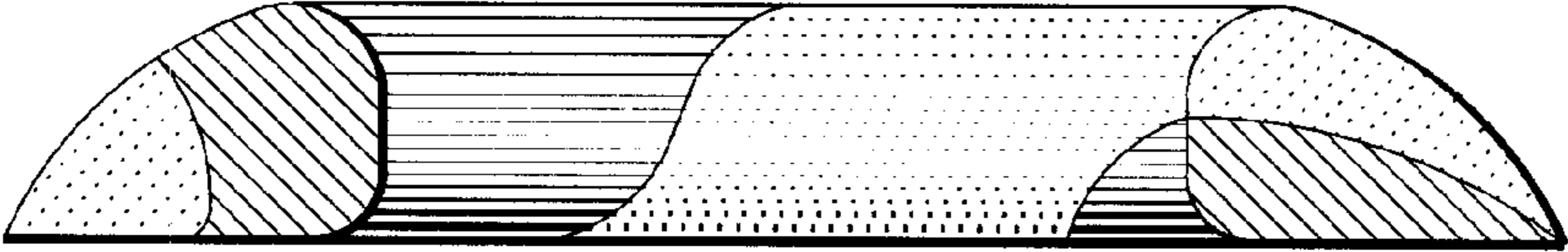


Fig. 6



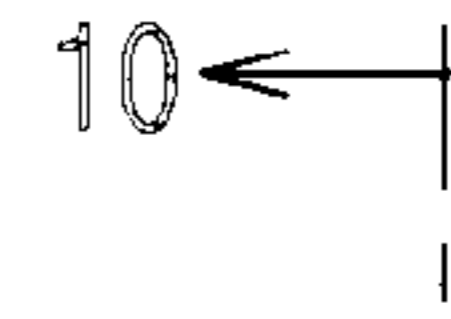
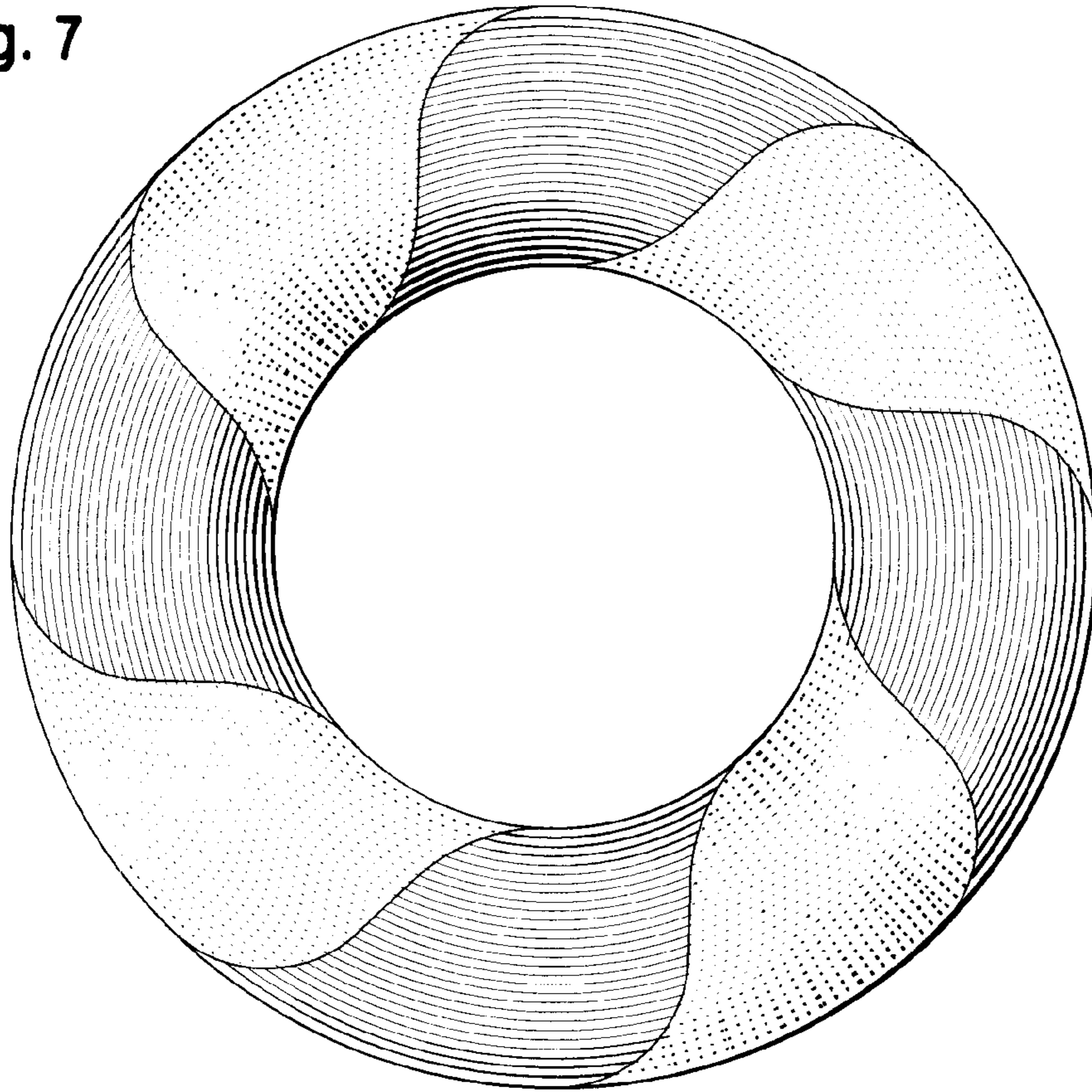


Fig. 7



15

Fig. 9

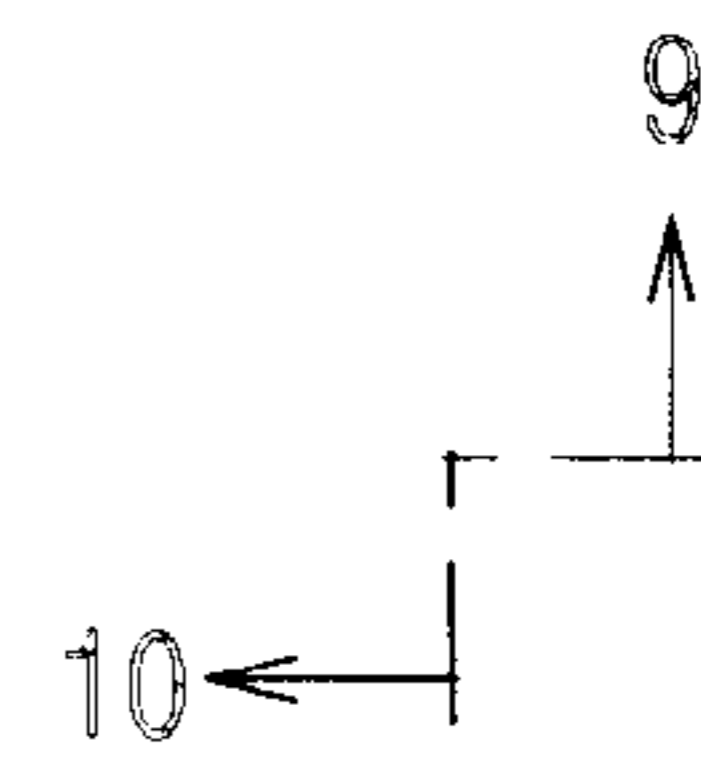
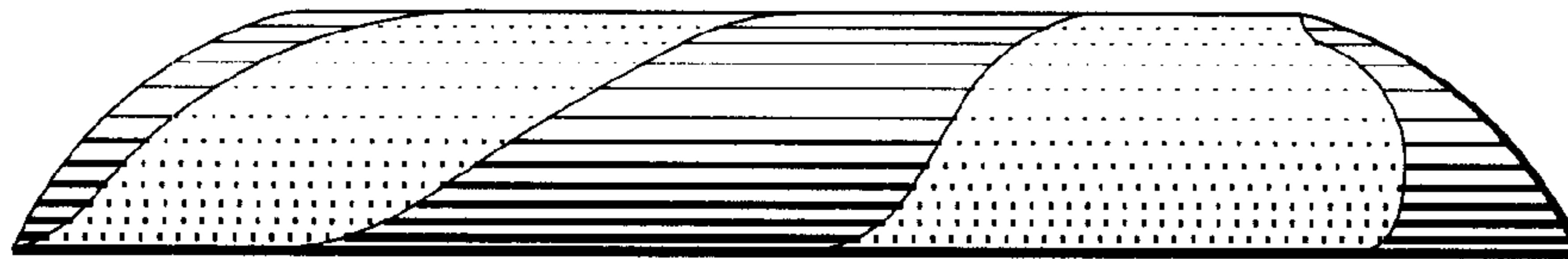


Fig. 10



Fig. 8

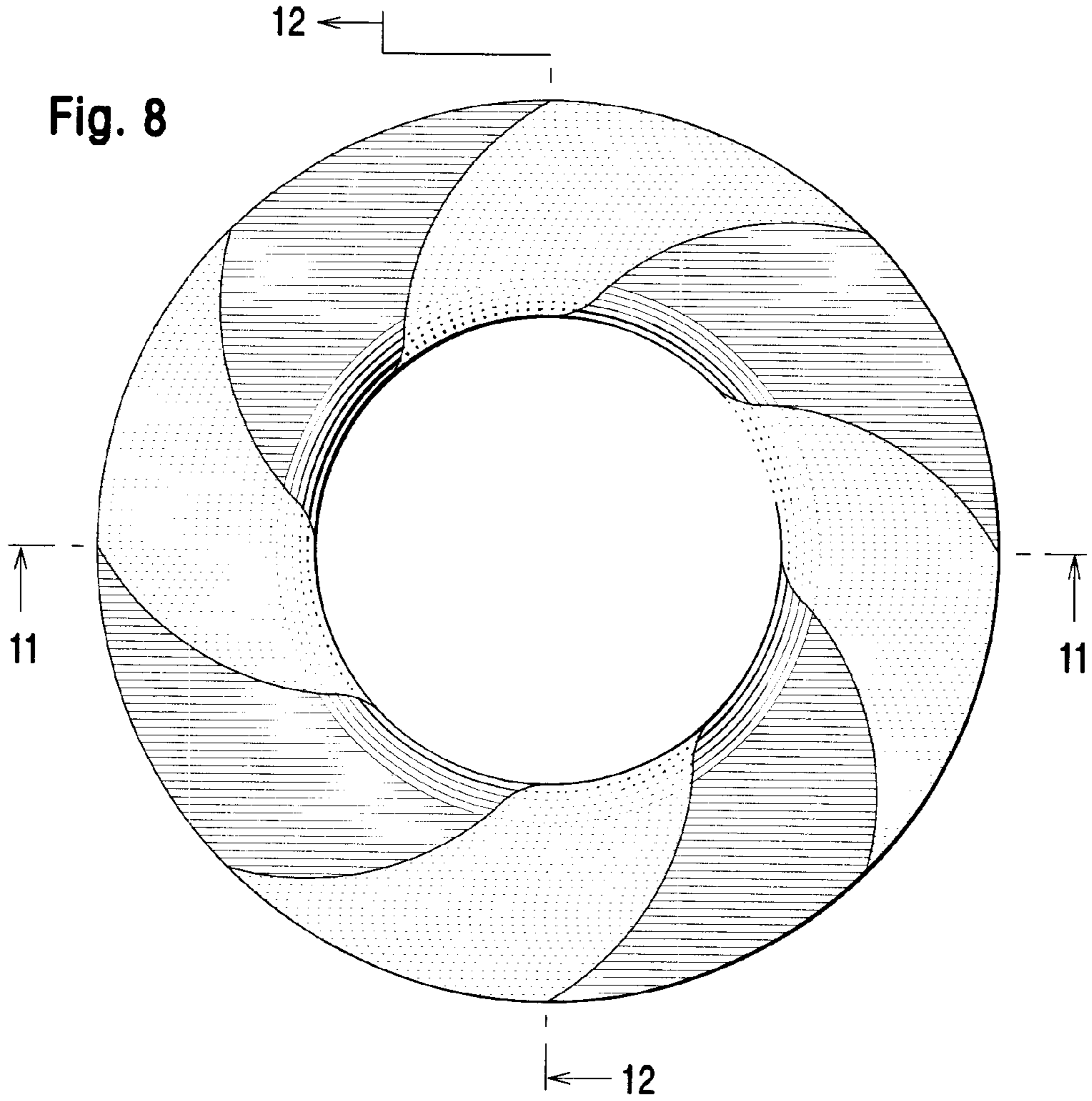


Fig. 11

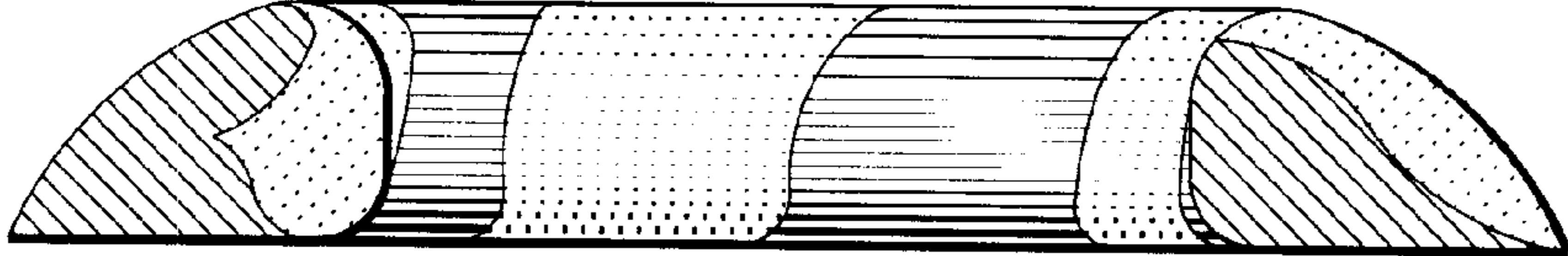


Fig. 12

